

CREDITABILITY MANIFOLDS LOW COST PARALLEL MANIFOLDS STANDARD FLOW EXPERT PARALLEL MANIFOLDS STANDARD FLOW PARALLEL MANIFOLDS
BOTTOM PORTED HIGH FLOW PARALLEL MANIFOLDS INTEGRITY HIGH FLOW PARALLEL MANIFOLDS - BOTTOM PORTED HIGH FLOW PARALLEL MANIFOLDS
FLANGE PORTS EXTRA HIGH FLOW PARALLEL MANIFOLD EXPERIENCED ENGINEERS STANDARD FLOW SERIES MANIFOLDS HIGH FLOW SERIES MANIFOLDS
STANDARD FLOW PARALLEL MANIFOLDS HIGH FLOW PARALLEL MANIFOLDS HIGH FLOW PARALLEL MANIFOLDS FLANGE PORTS SERIES MANIFOLDS
STANDARD FLOW PARALLEL MANIFOLDS HIGH FLOW HIGH PERFORMANCE PARALLEL MANIFOLDS HIGH FLOW PARALLEL MANIFOLDS FLANGE PORTS
SERIES MANIFOLDS STANDARD FLOW PARALLEL MANIFOLDS FLANGE PORTS MOUNTING HARDWARE LC MANIFOLD MOUNTING KITS COVER PLATES
CROSSOVER COVER PLATES COVER PLATES WITH PILOT PORTS MOUNTING HARDWARE DIRECTIONAL VALVE ADAPTORS COVER PLATES WITH PILOT
PORTS VALVE ADAPTORS FOR D05 MANIFOLDS VALVE ADAPTORS FOR D05 MANIFOLDS WITH PILOT PORTS SERVO-DIRECTIONAL ADAPTORS RELIEF
VALVE ADAPTORS "OBSOLETE VALVE" ADAPTORS MOUNTING HARDWARE SERVO VALVE CROSS REFERENCE SUBLATE TAPPING PLATES DIN CARTRIDGE

VALVE BODIES HEADER A
CONTROL VALVE PATTER
PRODUCTS TAPPING PLAT
SYSTEM HYDRAULIC VAL
EXPLOSION ENERGY, HYD
TORQUE. CONSTRUCTION
MAINTENANCE VEHICLES
AEROSPACE CREDITABIL
MANIFOLDS BOTTOM PO
MANIFOLDS - FLANGE P
SERIES MANIFOLDS STAI
SERIES MANIFOLDS STAN
FLANGE PORTS SERIES I



1811 North Home Street
Mishawaka, Indiana 46545-7267 USA
North America: 800.959.7841 • Fax: 800.241.7664
International: Tel: 574.259.7841 • Fax: 574.259.7665
Email: sales@damanifolds.com
Web: www.damanifolds.com

VALVE PATTERNS FLOW
R PLATES SERVO VALVE
AR RISER KITS TRIGGER
AUST OIL CONTROLLED
TI-FUNCTION CONTROL
EADERS, AND HIGHWAY
ASSEMBLY EQUIPMENT
VDARD FLOW PARALLEL
D HIGH FLOW PARALLEL
MANIFOLDS HIGH FLOW
OLDS - FLANGE PORTS
/ PARALLEL MANIFOLDS
IFOLD MOUNTING KITS

COVER PLATES CROSSOVER COVER PLATES COVER PLATES WITH PILOT PORTS MOUNTING HARDWARE DIRECTIONAL VALVE ADAPTORS COVER PLATES
WITH PILOT PORTS VALVE ADAPTORS FOR D05 MANIFOLDS VALVE ADAPTORS FOR D05 MANIFOLDS WITH PILOT PORTS SERVO-DIRECTIONAL ADAPTORS
RELIEF VALVE ADAPTORS OBSOLETE VALVE ADAPTORS MOUNTING HARDWARE SERVO VALVE CROSS REFERENCE SUBLATE TAPPING PLATES DIN
CARTRIDGE VALVE BODIES HEADER AND JUNCTION BLOCKS TECHNICAL INFORMATION RELIEF VALVE ORDERING INFORMATION DIRECTIONAL VALVE
PATTERNS FLOW CONTROL VALVE PATTERNS PRESSURE CONTROL VALVE PATTERNS SERVO VALVE PATTERNS OBSOLETE VALVE" PATTERN COVER PLATES
SERVO VALVE PRODUCTS TAPPING PLATES DIN CARTRIDGE CREDITABILITY MANIFOLDS LOW COST PARALLEL MANIFOLDS STANDARD FLOW EXPERT
PARALLEL MANIFOLDS STANDARD FLOW PARALLEL MANIFOLDS BOTTOM PORTED HIGH FLOW PARALLEL MANIFOLDS INTEGRITY HIGH FLOW PARALLEL
MANIFOLDS BOTTOM PORTED HIGH FLOW PARALLEL MANIFOLDS -FLANGE PORTS EXTRA HIGH FLOW PARALLEL MANIFOLD EXPERIENCED ENGINEERS

Please note: All information in this catalog is the latest available at the time of publication approval. Daman reserves the right to make changes and to discontinue products without notice or obligation.

MANIFOLDS LOW COST PARALLEL MANIFOLDS STANDARD FLOW EXPERT PARALLEL MANIFOLDS STANDARD FLOW PARALLEL MANIFOLDS BOTTOM
PORTED HIGH FLOW PARALLEL MANIFOLDS INTEGRITY HIGH FLOW PARALLEL MANIFOLDS - BOTTOM PORTED HIGH FLOW PARALLEL MANIFOLDS FLANGE
PORTS EXTRA HIGH FLOW PARALLEL MANIFOLD EXPERIENCED ENGINEERS STANDARD FLOW SERIES MANIFOLDS HIGH FLOW SERIES MANIFOLDS
STANDARD FLOW PARALLEL MANIFOLDS HIGH FLOW PARALLEL MANIFOLDS HIGH FLOW PARALLEL MANIFOLDS FLANGE PORTS SERIES MANIFOLDS
STANDARD FLOW PARALLEL MANIFOLDS HIGH FLOW HIGH PERFORMANCE PARALLEL MANIFOLDS HIGH FLOW PARALLEL MANIFOLDS FLANGE PORTS
SERIES MANIFOLDS STANDARD FLOW PARALLEL MANIFOLDS FLANGE PORTS MOUNTING HARDWARE LC MANIFOLD MOUNTING KITS COVER PLATES
CROSSOVER COVER PLATES COVER PLATES WITH PILOT PORTS MOUNTING HARDWARE DIRECTIONAL VALVE ADAPTORS COVER PLATES WITH PILOT
PORTS VALVE ADAPTORS FOR D05 MANIFOLDS VALVE ADAPTORS FOR D05 MANIFOLDS WITH PILOT PORTS SERVO-DIRECTIONAL ADAPTORS RELIEF
VALVE ADAPTORS "OBSOLETE VALVE" ADAPTORS MOUNTING HARDWARE SERVO VALVE CROSS REFERENCE SUBLATE TAPPING PLATES DIN CARTRIDGE

VALVE BODIES HEADER A
CONTROL VALVE PATTER
PRODUCTS TAPPING PLA
SYSTEM HYDRAULIC VAL
EXPLOSION ENERGY, HY
TORQUE. CONSTRUCTION
MAINTENANCE VEHICLES
AEROSPACE CREDITABIL
MANIFOLDS BOTTOM PO
MANIFOLDS - FLANGE P
SERIES MANIFOLDS STA



IL VALVE PATTERNS FLOW
ER PLATES SERVO VALVE
BAR RISER KITS TRIGGER
HAUST OIL CONTROLLED
ULTI-FUNCTION CONTROL
PREADERS, AND HIGHWAY
D ASSEMBLY EQUIPMENT
ANDARD FLOW PARALLEL
ED HIGH FLOW PARALLEL
MANIFOLDS HIGH FLOW
IIFOLDS - FLANGE PORTS

SERIES MANIFOLDS STANDARD FLOW PARALLEL MANIFOLDS HIGH FLOW HIGH PERFORMANCE PARALLEL MANIFOLDS HIGH FLOW PARALLEL MANIFOLDS
FLANGE PORTS SERIES MANIFOLDS STANDARD FLOW PARALLEL MANIFOLDS FLANGE PORTS MOUNTING HARDWARE LC MANIFOLD MOUNTING KITS
COVER PLATES CROSSOVER COVER PLATES COVER PLATES WITH PILOT PORTS MOUNTING HARDWARE DIRECTIONAL VALVE ADAPTORS COVER PLATES
WITH PILOT PORTS VALVE ADAPTORS FOR D05 MANIFOLDS VALVE ADAPTORS FOR D05 MANIFOLDS WITH PILOT PORTS SERVO-DIRECTIONAL ADAPTORS
RELIEF VALVE ADAPTORS OBSOLETE VALVE ADAPTORS MOUNTING HARDWARE SERVO VALVE CROSS REFERENCE SUBLATE TAPPING PLATES DIN CARTRIDGE
VALVE BODIES HEADER AND JUNCTION BLOCKS TECHNICAL INFORMATION RELIEF VALVE ORDERING INFORMATION DIRECTIONAL VALVE PATTERNS
FLOW CONTROL VALVE PATTERNS PRESSURE CONTROL VALVE PATTERNS SERVO VALVE PATTERNS OBSOLETE VALVE" PATTERN COVER PLATES SERVO
VALVE PRODUCTS TAPPING PLATES DIN CARTRIDGE CREDITABILITY MANIFOLDS LOW COST PARALLEL MANIFOLDS STANDARD FLOW EXPERT PARALLEL
MANIFOLDS STANDARD FLOW PARALLEL MANIFOLDS BOTTOM PORTED HIGH FLOW PARALLEL MANIFOLDS INTEGRITY HIGH FLOW PARALLEL MANIFOLDS
BOTTOM PORTED HIGH FLOW PARALLEL MANIFOLDS FLANGE PORTS EXTRA HIGH FLOW PARALLEL MANIFOLD EXPERIENCED ENGINEERS STANDARD FLOW

Daman Products Company Inc.



Daman provides outstanding technological and service leadership beyond customer's expectations so as to promote their interest, thereby ensuring continuous opportunities for Daman employees.

This philosophy statement drives the organization. As a result, Daman has developed a solid reputation as one of the best suppliers customers have. Each Daman team member is driven to provide long-term, reliable service that exceeds customer expectations. Daman offers a complete line of hydraulic valve manifold products comprised of two basic groups; Custom Engineered Products and Standard Products. All components are manufactured to tolerances that meet or exceed the National Fluid Power Association's (NFPA) as well as the International Standards Organization's (ISO) specifications. Daman has created a streamlined system for estimating, engineering, and manufacturing Custom Engineered Products from as little information as a hydraulic schematic and component bill of materials. Daman has also developed the most comprehensive catalog of Standard Manifold Products in the world. Our product lines provide every customer with over one million choices to refine and enhance their hydraulic system, ranging from ISO 02 valve patterns through ISO 10.



Learn more about Daman's Product Innovations.



Daman's New Product Information Series is produced to help users understand individual product and process

innovations, and product service issues about the Hydraulic Manifold Industry, Daman customer benefit programs, and specific product applications and technologies. The series is available on the web site: www.damanifolds.com

Daman's Newsletter is mailed quarterly. Each issue of "Hydraulic Manifold News" features information-based articles discussing industry trends, Daman



news, customer service innovations and engineering solutions. The series is available on the web site: www.damanifolds.com



2-3 CUSTOM PRODUCTS

4-63 STANDARD MANIFOLDS

64-77 COVER PLATES

78-99 VALVE ADAPTORS

100-123 SUBPLATES

124-140 SERVO VALVE SUBPLATES

141-164 TAPPING PLATES

165-177 DIN CARTRIDGE VALVE BODIES

178-191 HEADER AND JUNCTION BLOCKS

192-208 TECHNICAL INFORMATION

The Custom Manifold Concept.

Custom hydraulic manifolds are usually created because there is a new requirement or set of specifications that cannot be satisfied by a Standard Manifold design.

In many cases these manifolds begin life as freehand schematics on an engineer's pad, but in every instance, the complexities of efficient and cost-effective Custom Engineered Manifolds must eventually be put in place by an experienced, qualified team.

Daman employees combine 122 years of experience to cover ALL the details.

Daman's Custom Manifold Group has over 122 years of combined experience with Custom Manifold circuit diagrams, cost quotations, manifold design, technical support, and trouble shooting. Customers can provide a freehand schematic and rest assured that Daman Custom Manifold Group will utilize their expertise and

experience to cover all of the details, from your freehand schematic to manifold technical support after the sales, and absolutely every detail in between.

The Daman Difference.

Most manufacturers today have the latest tools and technology, but few combine today's tooling and technology advances with creativity, expertise, ethics, and integrity.

Each Daman Design Team member has a proven track record of taking a rough concept and refining, communicating, and resolving critical details that distributors and end users typically worry about. Combine this with Daman Products' advanced manufacturing and marketing principles, and the difference is clear. Daman Products employs a level of expertise and partnership philosophy that can help you win more work and build better relationships than any other manufacturer you have ever dealt with. Demand Daman and experience the difference.



An unmatched combination of machinery, experience and dedication.

Daman's commitment to excellence in manufacturing permeates the entire organization, from the training and dedication of every member of each production team, to the major corporate investment in technology and equipment. The testimony to the success of this effort lies in the extremely high delivery accuracy and the remarkably high quality track record that Daman distributors enjoy.



800 pound, integrated circuit manifold with DIN Cartridge logic for counterbalance and 1000 GPM regen capabilities.

Custom manifold quality is the standard product at Daman. The commitment to quality starts with our own operation by delivering high-caliber products. Daman continues to train and seek out the most committed people to expand on leading-edge technology, processes and systems.



Flexibility to lot sizes of one piece to thousands of pieces. Simple circuit blocks to complex integrated circuits.

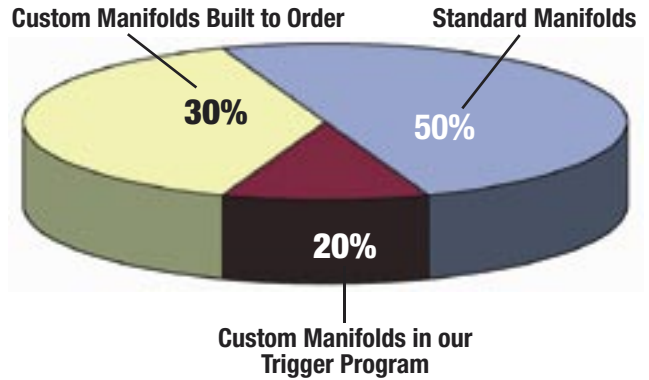
RFQ Details – Required.

- Hydraulic Circuit Diagram.
- BOM list of valve part numbers used.
- Port sizes.
- Port type (SAE, NPTF, Flange, Metric, etc.).
- Material type (Aluminum, Ductile Iron, etc.).

RFQ Details – Optional.

- Specific layout requirements (Valve or port locations, etc.).
- Surface coating requirements.
- Anticipated annual usage.

Daman's Product Mix

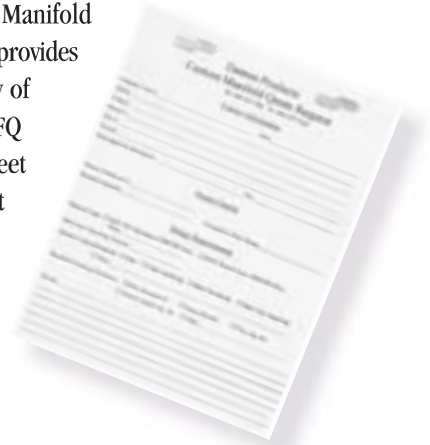


Capability Highlights.

- Daman has manufactured Custom Manifolds since 1976.
- 50% of Daman's capacity is devoted to Custom Manifolds.
- Custom Manifold quotations processed in 24 hours or less.
- More than 100 Custom Manifold quotations processed every week.
- 31.5% of Custom Manifold quotations are converted to orders.
- 99.51% manufacturing accuracy rating.
- 99.33% design accuracy rating.
- 97.5% on-time delivery rating.
- Full-time design/support staff with over 122 years combined experience.
- State-of-the-art design capabilities using manifold-specific software.
- World-class, Cellular Manufacturing utilizing Lean processes and principles.
- 10 CNC Machining Centers.
- Inventory of over 700 cartridge cavity tools for all major valve manufacturers.

Visit Daman on the Web for faster service.

Daman Products Custom Manifold Quote Request worksheet provides customers with a fast way of gathering the required RFQ information. The worksheet is available in PDF format on the Daman Web site: www.damanifolds.com.



Daman Products Company, Inc.

1811 North Home Street • Mishawaka, Indiana 46545-7267 USA • North America: 800.959.7841 • Fax: 800.241.7664
International: 574.259.7841 • Fax: 574.259.7665 • Email: sales@damanifolds.com • Web: www.damanifolds.com

Hydraulic Valve Manifolds Better System Design Begins with a Manifold.

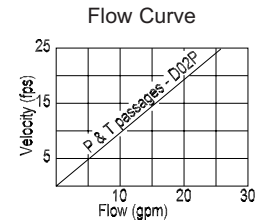
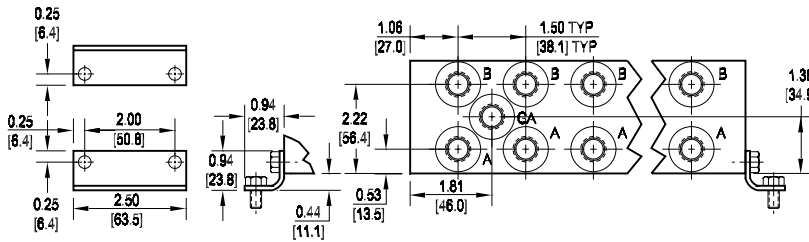
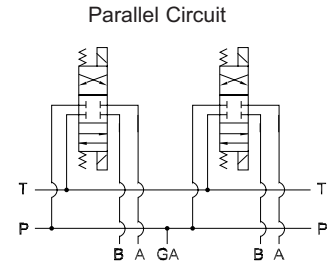
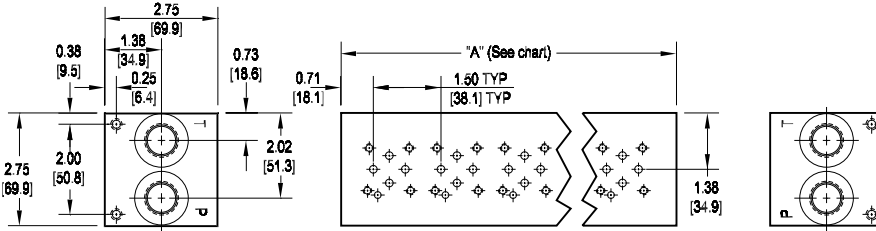
STANDARD MANIFOLDS

| | |
|--|-------------|
| Subplate Mtd., Valve Cross Reference | Page 5 |
| D02 Parallel Manifolds | Pages 6-7 |
| D02 Series Manifolds | Pages 8-9 |
| D03 Std. Flow Parallel Manifolds | Pages 10-11 |
| D03 Std. Flow Bottom Ported Manifolds | Page 12 |
| D03 Tank Line Feed Circuit Manifolds | Page 13 |
| D03 High Flow Parallel Manifolds | Pages 14-15 |
| D03 High Flow Flange Ported Manifolds | Pages 16-17 |
| D03 High Flow Bottom Ported Manifolds | Page 18 |
| D03 Series Manifolds | Pages 20-21 |
| D05 Std. Flow Parallel Manifolds | Pages 22-23 |
| D05 Std. Flow Bottom Ported Manifolds | Page 24 |
| D05 Tank Line Feed Circuit Manifolds | Page 25 |
| D05 High Flow Parallel Manifolds | Pages 26-27 |
| D05 High Flow Flange Ported Manifolds | Pages 28-29 |
| D05 High Flow Bottom Ported Manifolds | Pages 30-31 |
| D05 Extra High Flow Parallel Manifolds | Pages 32-33 |
| D05 Std. Flow Series Manifolds | Pages 34-35 |
| D05 High Flow Series Manifolds | Pages 36-37 |
| D07 Std. Flow Parallel Manifolds | Pages 38-39 |
| D07 High Flow Parallel Manifolds | Pages 40-41 |
| D07 High Flow Flange Ported Manifolds | Pages 42-43 |
| D07 Series Manifolds | Page 44 |
| D08 Std. Flow Parallel Manifolds | Pages 46-47 |
| D08 High Flow Parallel Manifolds | Pages 48-49 |
| D08 High Flow Flange Ported Manifolds | Pages 50-51 |
| D08 Series Manifolds | Page 52 |
| D10 Std. Flow Flange Ported Manifolds | Pages 54-55 |
| D03/D05 LC (Low Cost) Manifolds | Pages 56-60 |
| Mounting Bracket Riser Blocks | Page 61 |
| Mounting Hardware | Pages 62-63 |

Subplate Mtd. Valve Cross Reference

| Daman / NFPA pattern no. | ISO no. | Bosch | Continental | Denison | Nachi | Parker | Rexroth | Rivett | Vickers |
|---------------------------|--------------------------|----------------------------|---------------------------|-----------|-----------------------------|--------|------------------|-----------|--------------------------------------|
| D02 | 4401-02-01 | -- | -- | -- | -- | -- | -- | -- | DG4V-2 |
| D03 | 4401-03-02 | FD4-**HS-*01 | V*D03M E*03M V*5M | A-3D01 | SA-G01 SS-G01 DMA-G01 | D1VW | WE6 | 65**-01 | (K)DG4V-3 |
| D05 | 4401-05-04 | FD4-D*KS-*02 | ED05M V*12M | A-3D02 | SS-G03 DMA-G03 | D3W | WE10 | 65**-02 | DG4S*-01 DG4V-4 (K)DG4V-5 |
| D05 Alt. A (D05HE) | 4401-05-05 | -- | -- | -- | -- | -- | WEH10 | -- | (K)DG3V-5 (K)DG5V-5 |
| D05 Alt. B (D05H) | -- | FD4-**HS-*02 | -- | -- | -- | D31W | -- | 66**-D05H | DG5S4-02 |
| D06 | -- | FD4-**HS-*04 | -- | -- | -- | -- | -- | -- | DG4S4-02 (obsolete) |
| D07 | 4401-07-06 | 081WV16P1 | -- | A-3D03 | DSS-G04 | -- | WEH16 | -- | DG5S4-04 (K)DG3V-7 (K)DG5V-7 |
| D08 | 4401-08-07 | FD4-**HS-*06 | V*D08M ED08M *VS50M | A-3D06 | DSS-G06 HF(S)-G06 | D61VW | WEH22 | 6600-06 | DG5S-(H)8 (K)DG3V-8 (K)DG5V-8 |
| D10 | 4401-10-08 | FD4-**HS-*10 | VSD10M V*100M* | A-3D10-3S | DSS-G10 HF(S)-G10 | D101VW | WEH32 | -- | DG5S4-10 (K)DG3V-10 (K)DG5V-10 |
| 2F06 | 6263-06-05 | FF2-*HS*-02* | F12M | 2F1C02 | (C)FT-G02 | FG3PKC | 2FRM10 | -- | F(C)G-02 |
| 2F07 | 6263-07-09 | FF2-*HS*-03* | -- | 2F1C03 | FT-G03 | -- | 2FRM16 | -- | F(C)G-03 |
| P06 | 6264-06-07 5781-06-07 | FD2-PTHS-*03 081DV10P1 | -- | R4*03 | -- | PR*3M | S*10P DZ*10** | P48**03 | R(C)G-03 |
| P08 | 6264-08-11 5781-08-10 | FD2-PTHS-*06 081DV25P1 | E*35M | R4*06 | HT(S)-G06 | PR*6M | S*20P DZ*20** | P48**06 | R(C)G-06 |
| P10 | 6264-10-15 5781-10-13 | FD2-PTHS-*10 | -- | R4*10 | HT(S)-G10 | PR*10M | S*30P DZ*30** | P48**10 | R(C)G-10 |
| R06 (I06) | 6264-06-09 | 081DV10P3 | -- | -- | RI-03 | -- | DB**10 | -- | CG-03 |
| R08 | 6264-08-13 | FE1-PB**-S06* 081DV25P3 | -- | -- | RI-06 | -- | DB**20 | -- | -- |
| R10 | 6264-10-17 | FE1-PB**-S10* | -- | -- | RI-10 | -- | DB**30 | -- | -- |
| I08 (RV08) | -- | FE1-PB**-I06* | -- | -- | -- | R6V | -- | -- | CG-06 |
| I10 (RV10) | -- | FE1-PB**-I10* | -- | -- | -- | R10M | -- | -- | CG-10 |

D02 Parallel Circuit Manifold



Rated flow 14 gpm @ 15 fps

All mounting hardware is supplied.
See page 62 for itemized list.

| No. of stations | * 01 | 02 | 03 | 04 | 05 | 06 | 07 | 08 | 09 | 10 |
|-----------------------------|----------------|----------------|-----------------|-----------------|-----------------|-----------------|------------------|------------------|------------------|------------------|
| "A" length inch [mm] | 2.13 [54.0] | 3.63 [92.1] | 5.13 [130.2] | 6.63 [168.3] | 8.13 [206.4] | 9.63 [244.5] | 11.13 [282.6] | 12.63 [320.7] | 14.13 [358.8] | 15.63 [396.9] |
| apx. weight alum lb [kg] | 3 [1.5] | 5 [2.5] | 7 [3] | 8 [4] | 10 [4.5] | 12 [5.5] | 14 [6] | 16 [7] | 17 [8] | 19 [9] |
| apx. weight iron lb [kg] | 5 [2.5] | 8.5 [4] | 12 [5.5] | 16 [7] | 19 [9] | 23 [10] | 26 [12] | 30 [14] | 33 [15] | 37 [17] |

| Port code | Valve mtg. | Manifold mtg. |
|-----------|------------------------------|--------------------------------|
| P, S | #10-24 UNC x 0.56 [14] DP | 0.25-20 UNC x 0.38 [9.7] DP |
| B, M, T | M5 ISO 6H x 0.56 [14] DP | M6 ISO 6H x 0.38 [9.7] DP |

* Length of 01 station with relief cavity is 3.13 [79.4]. Gauge port not available on 01 station.

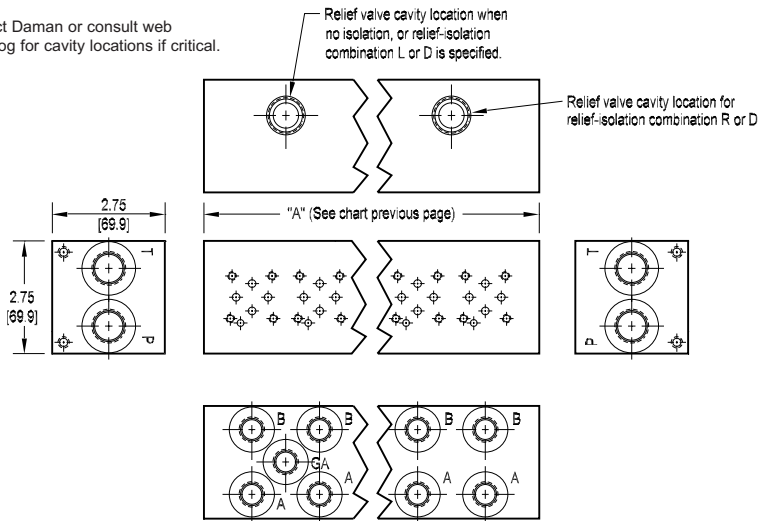
Specifications, descriptions, and dimensional data are subject to correction or change without notice or incurring obligation.
Download latest catalog page revisions at www.damanifolds.com.

Ordering Information

| Material | Valve Pattern | Circuit | No. of Stations | Valve Spacing | Port Threads | Options | | | | | | | | | | | | | | | | | | | | | | | | | | | | | | | | | | | | | | | | | | | | | | | | | | | | | | | | |
|--|---|---------------|-----------------|--|--------------|--|--|---------------|--|------------|---|---|---------|--|----------|------------------|---|-----------------|--|----------|--|----------------|-------------------------------|--------------|--|----------------|-------------------------------|--|---------------|--|----------|----------------------|---|--------------|--|--|--|----------|---------------------|---------------|---------------|----------|-----------------|----|----|----------|-----------------|------|------|----------|----------------|-----|-----|----------|--------------|------|------|---|---------|--|---|--|
| <table border="1" style="width: 100%; border-collapse: collapse;"> <thead> <tr> <th colspan="2">Material</th> </tr> </thead> <tbody> <tr> <td style="width: 20px;">A</td> <td>Aluminum - 6061-T6 3000† psi • 20.7 MPa</td> </tr> <tr> <td>D</td> <td>Ductile Iron - D4512 5000† psi • 34.5 MPa</td> </tr> </tbody> </table> <p>† Working pressure should be considered in accordance with ISO 4413 to determine appropriate material type.</p> | Material | | A | Aluminum - 6061-T6 3000† psi • 20.7 MPa | D | Ductile Iron - D4512 5000† psi • 34.5 MPa | <table border="1" style="width: 100%; border-collapse: collapse;"> <thead> <tr> <th colspan="2">Valve Pattern</th> </tr> </thead> <tbody> <tr> <td style="width: 20px;">D02</td> <td>ISO 4401-02-01 NFPA T3.5.1-D02 See Tech Information</td> </tr> </tbody> </table> | Valve Pattern | | D02 | ISO 4401-02-01 NFPA T3.5.1-D02 See Tech Information | <table border="1" style="width: 100%; border-collapse: collapse;"> <thead> <tr> <th colspan="2">Circuit</th> </tr> </thead> <tbody> <tr> <td style="width: 20px;">P</td> <td>Parallel Circuit</td> </tr> </tbody> </table> | Circuit | | P | Parallel Circuit | <table border="1" style="width: 100%; border-collapse: collapse;"> <thead> <tr> <th colspan="2">No. of Stations</th> </tr> </thead> <tbody> <tr> <td colspan="2" style="text-align: center;">Aluminum</td> </tr> <tr> <td style="width: 20px;">01...10</td> <td>Available with spacing code 1</td> </tr> <tr> <td colspan="2" style="text-align: center;">Ductile Iron</td> </tr> <tr> <td style="width: 20px;">01...10</td> <td>Available with spacing code 1</td> </tr> </tbody> </table> | No. of Stations | | Aluminum | | 01...10 | Available with spacing code 1 | Ductile Iron | | 01...10 | Available with spacing code 1 | <table border="1" style="width: 100%; border-collapse: collapse;"> <thead> <tr> <th colspan="2">Valve Spacing</th> </tr> </thead> <tbody> <tr> <td style="width: 20px;">1</td> <td>1.50 inch 38.1 mm</td> </tr> </tbody> </table> | Valve Spacing | | 1 | 1.50 inch 38.1 mm | <table border="1" style="width: 100%; border-collapse: collapse;"> <thead> <tr> <th colspan="4">Port Threads</th> </tr> </thead> <tbody> <tr> <td style="width: 20px;">P</td> <td>NPTF • ANSI B1.20.3</td> <td>P & T 0.50</td> <td>A & B 0.38</td> </tr> <tr> <td>S</td> <td>SAE • ISO 11926</td> <td>-8</td> <td>-6</td> </tr> <tr> <td>B</td> <td>BSPP • ISO 1179</td> <td>0.50</td> <td>0.38</td> </tr> <tr> <td>M</td> <td>ISO • ISO 6149</td> <td>M18</td> <td>M14</td> </tr> <tr> <td>T</td> <td>BSPT • ISO 7</td> <td>0.50</td> <td>0.38</td> </tr> </tbody> </table> | Port Threads | | | | P | NPTF • ANSI B1.20.3 | P & T 0.50 | A & B 0.38 | S | SAE • ISO 11926 | -8 | -6 | B | BSPP • ISO 1179 | 0.50 | 0.38 | M | ISO • ISO 6149 | M18 | M14 | T | BSPT • ISO 7 | 0.50 | 0.38 | <table border="1" style="width: 100%; border-collapse: collapse;"> <thead> <tr> <th colspan="2">Options</th> </tr> </thead> <tbody> <tr> <td colspan="2">See next page for available options and ordering codes.</td> </tr> </tbody> </table> | Options | | See next page for available options and ordering codes. | |
| Material | | | | | | | | | | | | | | | | | | | | | | | | | | | | | | | | | | | | | | | | | | | | | | | | | | | | | | | | | | | | | | |
| A | Aluminum - 6061-T6 3000† psi • 20.7 MPa | | | | | | | | | | | | | | | | | | | | | | | | | | | | | | | | | | | | | | | | | | | | | | | | | | | | | | | | | | | | | |
| D | Ductile Iron - D4512 5000† psi • 34.5 MPa | | | | | | | | | | | | | | | | | | | | | | | | | | | | | | | | | | | | | | | | | | | | | | | | | | | | | | | | | | | | | |
| Valve Pattern | | | | | | | | | | | | | | | | | | | | | | | | | | | | | | | | | | | | | | | | | | | | | | | | | | | | | | | | | | | | | | |
| D02 | ISO 4401-02-01 NFPA T3.5.1-D02 See Tech Information | | | | | | | | | | | | | | | | | | | | | | | | | | | | | | | | | | | | | | | | | | | | | | | | | | | | | | | | | | | | | |
| Circuit | | | | | | | | | | | | | | | | | | | | | | | | | | | | | | | | | | | | | | | | | | | | | | | | | | | | | | | | | | | | | | |
| P | Parallel Circuit | | | | | | | | | | | | | | | | | | | | | | | | | | | | | | | | | | | | | | | | | | | | | | | | | | | | | | | | | | | | | |
| No. of Stations | | | | | | | | | | | | | | | | | | | | | | | | | | | | | | | | | | | | | | | | | | | | | | | | | | | | | | | | | | | | | | |
| Aluminum | | | | | | | | | | | | | | | | | | | | | | | | | | | | | | | | | | | | | | | | | | | | | | | | | | | | | | | | | | | | | | |
| 01...10 | Available with spacing code 1 | | | | | | | | | | | | | | | | | | | | | | | | | | | | | | | | | | | | | | | | | | | | | | | | | | | | | | | | | | | | | |
| Ductile Iron | | | | | | | | | | | | | | | | | | | | | | | | | | | | | | | | | | | | | | | | | | | | | | | | | | | | | | | | | | | | | | |
| 01...10 | Available with spacing code 1 | | | | | | | | | | | | | | | | | | | | | | | | | | | | | | | | | | | | | | | | | | | | | | | | | | | | | | | | | | | | | |
| Valve Spacing | | | | | | | | | | | | | | | | | | | | | | | | | | | | | | | | | | | | | | | | | | | | | | | | | | | | | | | | | | | | | | |
| 1 | 1.50 inch 38.1 mm | | | | | | | | | | | | | | | | | | | | | | | | | | | | | | | | | | | | | | | | | | | | | | | | | | | | | | | | | | | | | |
| Port Threads | | | | | | | | | | | | | | | | | | | | | | | | | | | | | | | | | | | | | | | | | | | | | | | | | | | | | | | | | | | | | | |
| P | NPTF • ANSI B1.20.3 | P & T 0.50 | A & B 0.38 | | | | | | | | | | | | | | | | | | | | | | | | | | | | | | | | | | | | | | | | | | | | | | | | | | | | | | | | | | | |
| S | SAE • ISO 11926 | -8 | -6 | | | | | | | | | | | | | | | | | | | | | | | | | | | | | | | | | | | | | | | | | | | | | | | | | | | | | | | | | | | |
| B | BSPP • ISO 1179 | 0.50 | 0.38 | | | | | | | | | | | | | | | | | | | | | | | | | | | | | | | | | | | | | | | | | | | | | | | | | | | | | | | | | | | |
| M | ISO • ISO 6149 | M18 | M14 | | | | | | | | | | | | | | | | | | | | | | | | | | | | | | | | | | | | | | | | | | | | | | | | | | | | | | | | | | | |
| T | BSPT • ISO 7 | 0.50 | 0.38 | | | | | | | | | | | | | | | | | | | | | | | | | | | | | | | | | | | | | | | | | | | | | | | | | | | | | | | | | | | |
| Options | | | | | | | | | | | | | | | | | | | | | | | | | | | | | | | | | | | | | | | | | | | | | | | | | | | | | | | | | | | | | | |
| See next page for available options and ordering codes. | | | | | | | | | | | | | | | | | | | | | | | | | | | | | | | | | | | | | | | | | | | | | | | | | | | | | | | | | | | | | | |

Options - D02 Parallel Manifold

Contact Daman or consult web CADalog for cavity locations if critical.



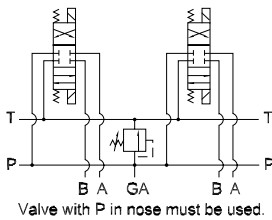
ISOLATIONS

Daman isolation options allow a manifold to have two independent pressure and/or tank ports. Isolations are drilled rather than plugged to ensure a leakproof and failproof isolation.

| Ordering code letter: | * Isolation is between stations: | Available # of stations: |
|-----------------------|----------------------------------|--------------------------|
| A | 01 & 02 | 02-10 |
| B | 02 & 03 | 03-10 |
| C | 03 & 04 | 04-10 |
| D | 04 & 05 | 05-10 |
| E | 05 & 06 | 06-10 |
| F | 06 & 07 | 07-10 |
| G | 07 & 08 | 08-10 |
| H | 08 & 09 | 09-10 |
| J | 09 & 10 | 10 |

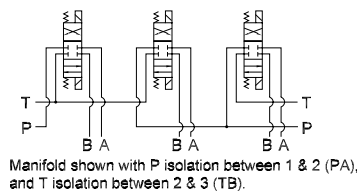
* Stations are numbered left to right.

Parallel Circuit with Relief



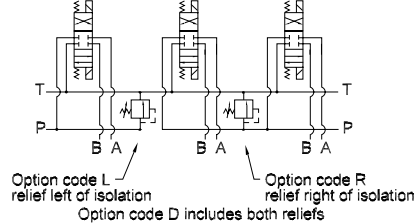
Valve with P in nose must be used.

Parallel Circuit with Isolations



Manifold shown with P isolation between 1 & 2 (PA), and T isolation between 2 & 3 (TB).

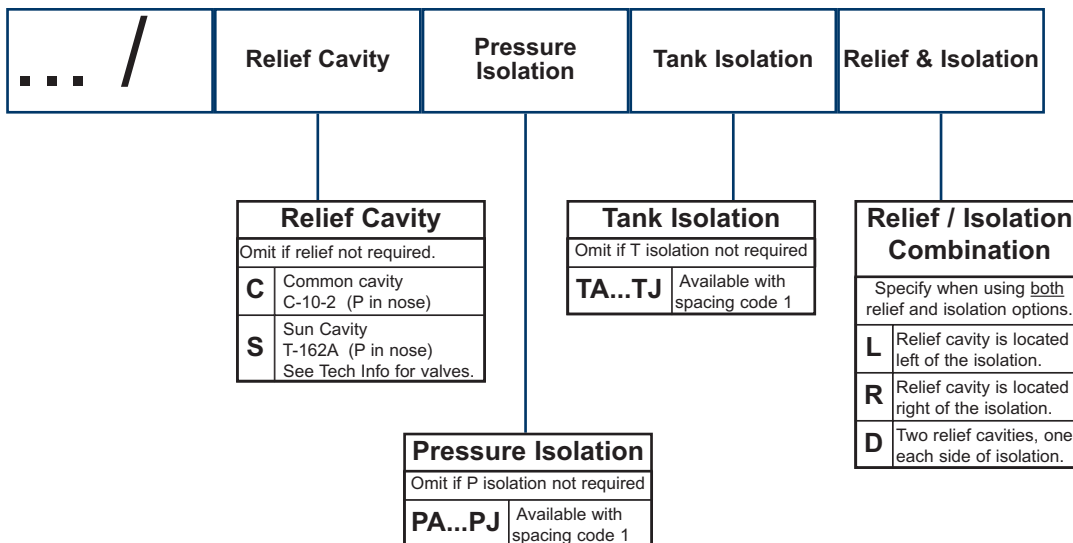
Relief / Isolation Combination



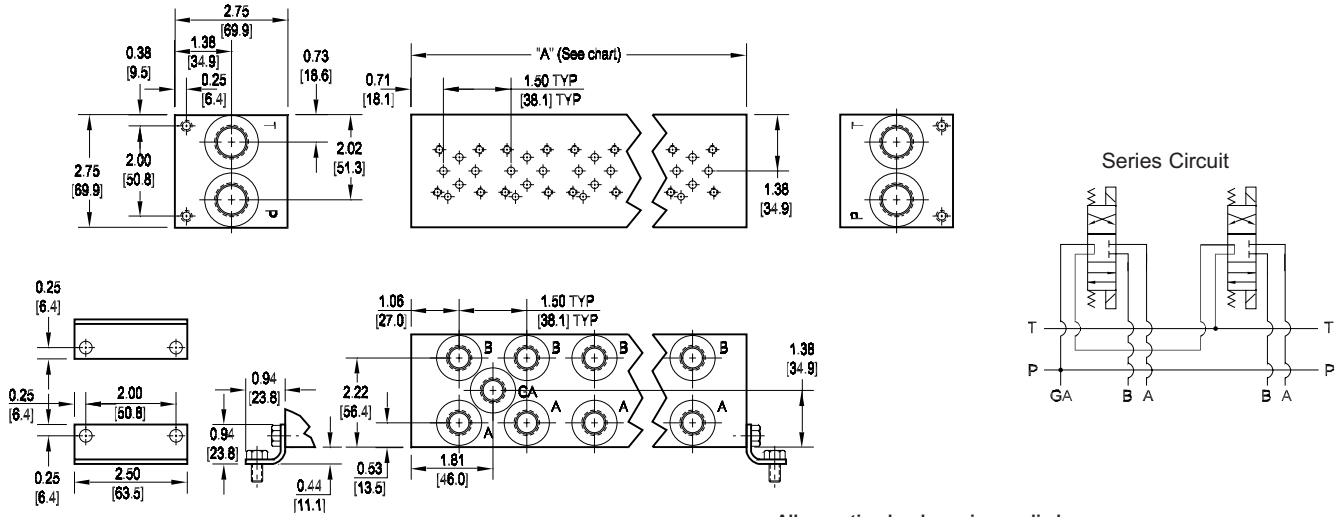
NOTES:

- 1) The GA port is not available on a (1) station manifold.
- 2) The GA port is not available when a pressure isolation is located between stations 1 & 2.
- 3) Some combinations of relief cavities and isolations are not possible. Consult factory to determine availability.

Ordering Information



D02 Series Circuit Manifold



All mounting hardware is supplied.
See page 62 for itemized list.

| No. of stations | 02 | 03 | 04 |
|-----------------------------|----------------|-----------------|-----------------|
| "A" length inch [mm] | 3.63 [92.1] | 5.13 [130.2] | 6.63 [168.3] |
| apx. weight alum lb [kg] | 5 [2.5] | 7 [3] | 8 [4] |
| apx. weight iron lb [kg] | 8.5 [4] | 12 [6] | 16 [7] |

| Port code | Valve mtg. | Manifold mtg. |
|-----------|------------------------------|--------------------------------|
| P, S | #10-24 UNC x 0.56 [14] DP | 0.25-20 UNC x 0.38 [9.7] DP |
| B, M, T | M5 ISO 6H x 0.56 [14] DP | M6 ISO 6H x 0.38 [9.7] DP |

Note: Both Daman's parallel and series D02 manifolds have pressure and tank lines that run the length of the manifold. Consequently it is commonly assumed that an error was made by marking a parallel manifold incorrectly as a series. Upon closer inspection it can be seen that the valve patterns are indeed connected in series.

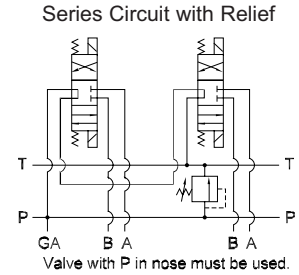
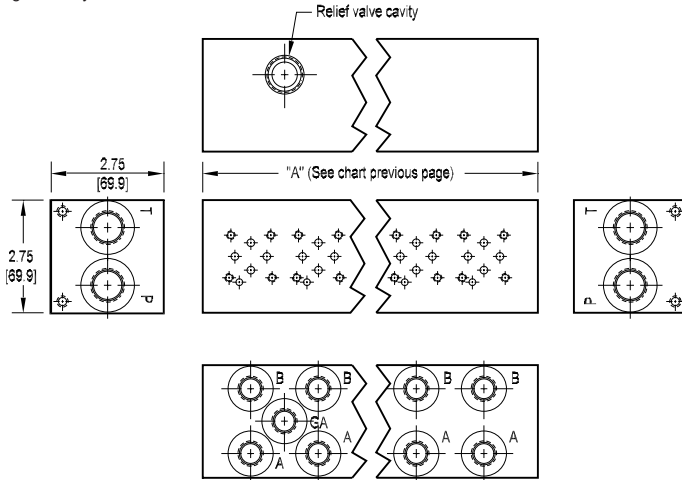
Specifications, descriptions, and dimensional data are subject to correction or change without notice or incurring obligation. Download latest catalog page revisions at www.damanifolds.com.

Ordering Information

| Material | Valve Pattern | Circuit | No. of Stations | Valve Spacing | Port Threads | / | Options | | | | | | | | | | | | | | | | | | | | | | | | | | | | | | | | | | | | | | | | | | | | | | | | | | | | | | | |
|--|---|---------|-----------------|--|--------------|--|---|---------------|--|------------|---|--|---------|--|----------|----------------|---|-----------------|--|----------|--|----------------|-------------------------------|--------------|--|----------------|-------------------------------|---|---------------|--|----------|----------------------|--|--------------|--|--|--|----------|---------------------|-------|------|----------|-----------------|-------|----|----------|-----------------|----|----|----------|----------------|--|------|----------|--------------|--|------|---|---------|--|---|--|
| <table border="1"> <thead> <tr> <th colspan="2">Material</th> </tr> </thead> <tbody> <tr> <td>A</td> <td>Aluminum - 6061-T6 3000[†] psi • 20.7 MPa</td> </tr> <tr> <td>D</td> <td>Ductile Iron - D4512 5000[†] psi • 34.5 MPa</td> </tr> </tbody> </table> <p>[†] Working pressure should be considered in accordance with ISO 4413 to determine appropriate material type.</p> | Material | | A | Aluminum - 6061-T6 3000 [†] psi • 20.7 MPa | D | Ductile Iron - D4512 5000 [†] psi • 34.5 MPa | <table border="1"> <thead> <tr> <th colspan="2">Valve Pattern</th> </tr> </thead> <tbody> <tr> <td>D02</td> <td>ISO 4401-02-01 NFPA T3.5.1-D02 See Tech Information</td> </tr> </tbody> </table> | Valve Pattern | | D02 | ISO 4401-02-01 NFPA T3.5.1-D02 See Tech Information | <table border="1"> <thead> <tr> <th colspan="2">Circuit</th> </tr> </thead> <tbody> <tr> <td>S</td> <td>Series Circuit</td> </tr> </tbody> </table> | Circuit | | S | Series Circuit | <table border="1"> <thead> <tr> <th colspan="2">No. of Stations</th> </tr> </thead> <tbody> <tr> <td colspan="2">Aluminum</td> </tr> <tr> <td>02...04</td> <td>Available with spacing code 1</td> </tr> <tr> <td colspan="2">Ductile Iron</td> </tr> <tr> <td>02...04</td> <td>Available with spacing code 1</td> </tr> </tbody> </table> | No. of Stations | | Aluminum | | 02...04 | Available with spacing code 1 | Ductile Iron | | 02...04 | Available with spacing code 1 | <table border="1"> <thead> <tr> <th colspan="2">Valve Spacing</th> </tr> </thead> <tbody> <tr> <td>1</td> <td>1.50 inch 38.1 mm</td> </tr> </tbody> </table> | Valve Spacing | | 1 | 1.50 inch 38.1 mm | <table border="1"> <thead> <tr> <th colspan="4">Port Threads</th> </tr> </thead> <tbody> <tr> <td>P</td> <td>NPTF • ANSI B1.20.3</td> <td>P & T</td> <td>0.50</td> </tr> <tr> <td>S</td> <td>SAE • ISO 11926</td> <td>A & B</td> <td>-8</td> </tr> <tr> <td>B</td> <td>BSPP • ISO 1179</td> <td>GA</td> <td>-6</td> </tr> <tr> <td>M</td> <td>ISO • ISO 6149</td> <td></td> <td>0.50</td> </tr> <tr> <td>T</td> <td>BSPT • ISO 7</td> <td></td> <td>0.50</td> </tr> </tbody> </table> | Port Threads | | | | P | NPTF • ANSI B1.20.3 | P & T | 0.50 | S | SAE • ISO 11926 | A & B | -8 | B | BSPP • ISO 1179 | GA | -6 | M | ISO • ISO 6149 | | 0.50 | T | BSPT • ISO 7 | | 0.50 | <table border="1"> <thead> <tr> <th colspan="2">Options</th> </tr> </thead> <tbody> <tr> <td colspan="2">See next page for available options and ordering codes.</td> </tr> </tbody> </table> | Options | | See next page for available options and ordering codes. | |
| Material | | | | | | | | | | | | | | | | | | | | | | | | | | | | | | | | | | | | | | | | | | | | | | | | | | | | | | | | | | | | | | |
| A | Aluminum - 6061-T6 3000 [†] psi • 20.7 MPa | | | | | | | | | | | | | | | | | | | | | | | | | | | | | | | | | | | | | | | | | | | | | | | | | | | | | | | | | | | | | |
| D | Ductile Iron - D4512 5000 [†] psi • 34.5 MPa | | | | | | | | | | | | | | | | | | | | | | | | | | | | | | | | | | | | | | | | | | | | | | | | | | | | | | | | | | | | | |
| Valve Pattern | | | | | | | | | | | | | | | | | | | | | | | | | | | | | | | | | | | | | | | | | | | | | | | | | | | | | | | | | | | | | | |
| D02 | ISO 4401-02-01 NFPA T3.5.1-D02 See Tech Information | | | | | | | | | | | | | | | | | | | | | | | | | | | | | | | | | | | | | | | | | | | | | | | | | | | | | | | | | | | | | |
| Circuit | | | | | | | | | | | | | | | | | | | | | | | | | | | | | | | | | | | | | | | | | | | | | | | | | | | | | | | | | | | | | | |
| S | Series Circuit | | | | | | | | | | | | | | | | | | | | | | | | | | | | | | | | | | | | | | | | | | | | | | | | | | | | | | | | | | | | | |
| No. of Stations | | | | | | | | | | | | | | | | | | | | | | | | | | | | | | | | | | | | | | | | | | | | | | | | | | | | | | | | | | | | | | |
| Aluminum | | | | | | | | | | | | | | | | | | | | | | | | | | | | | | | | | | | | | | | | | | | | | | | | | | | | | | | | | | | | | | |
| 02...04 | Available with spacing code 1 | | | | | | | | | | | | | | | | | | | | | | | | | | | | | | | | | | | | | | | | | | | | | | | | | | | | | | | | | | | | | |
| Ductile Iron | | | | | | | | | | | | | | | | | | | | | | | | | | | | | | | | | | | | | | | | | | | | | | | | | | | | | | | | | | | | | | |
| 02...04 | Available with spacing code 1 | | | | | | | | | | | | | | | | | | | | | | | | | | | | | | | | | | | | | | | | | | | | | | | | | | | | | | | | | | | | | |
| Valve Spacing | | | | | | | | | | | | | | | | | | | | | | | | | | | | | | | | | | | | | | | | | | | | | | | | | | | | | | | | | | | | | | |
| 1 | 1.50 inch 38.1 mm | | | | | | | | | | | | | | | | | | | | | | | | | | | | | | | | | | | | | | | | | | | | | | | | | | | | | | | | | | | | | |
| Port Threads | | | | | | | | | | | | | | | | | | | | | | | | | | | | | | | | | | | | | | | | | | | | | | | | | | | | | | | | | | | | | | |
| P | NPTF • ANSI B1.20.3 | P & T | 0.50 | | | | | | | | | | | | | | | | | | | | | | | | | | | | | | | | | | | | | | | | | | | | | | | | | | | | | | | | | | | |
| S | SAE • ISO 11926 | A & B | -8 | | | | | | | | | | | | | | | | | | | | | | | | | | | | | | | | | | | | | | | | | | | | | | | | | | | | | | | | | | | |
| B | BSPP • ISO 1179 | GA | -6 | | | | | | | | | | | | | | | | | | | | | | | | | | | | | | | | | | | | | | | | | | | | | | | | | | | | | | | | | | | |
| M | ISO • ISO 6149 | | 0.50 | | | | | | | | | | | | | | | | | | | | | | | | | | | | | | | | | | | | | | | | | | | | | | | | | | | | | | | | | | | |
| T | BSPT • ISO 7 | | 0.50 | | | | | | | | | | | | | | | | | | | | | | | | | | | | | | | | | | | | | | | | | | | | | | | | | | | | | | | | | | | |
| Options | | | | | | | | | | | | | | | | | | | | | | | | | | | | | | | | | | | | | | | | | | | | | | | | | | | | | | | | | | | | | | |
| See next page for available options and ordering codes. | | | | | | | | | | | | | | | | | | | | | | | | | | | | | | | | | | | | | | | | | | | | | | | | | | | | | | | | | | | | | | |

Options - D02 Series Manifold

Contact Daman or consult web CADalog for cavity locations if critical.

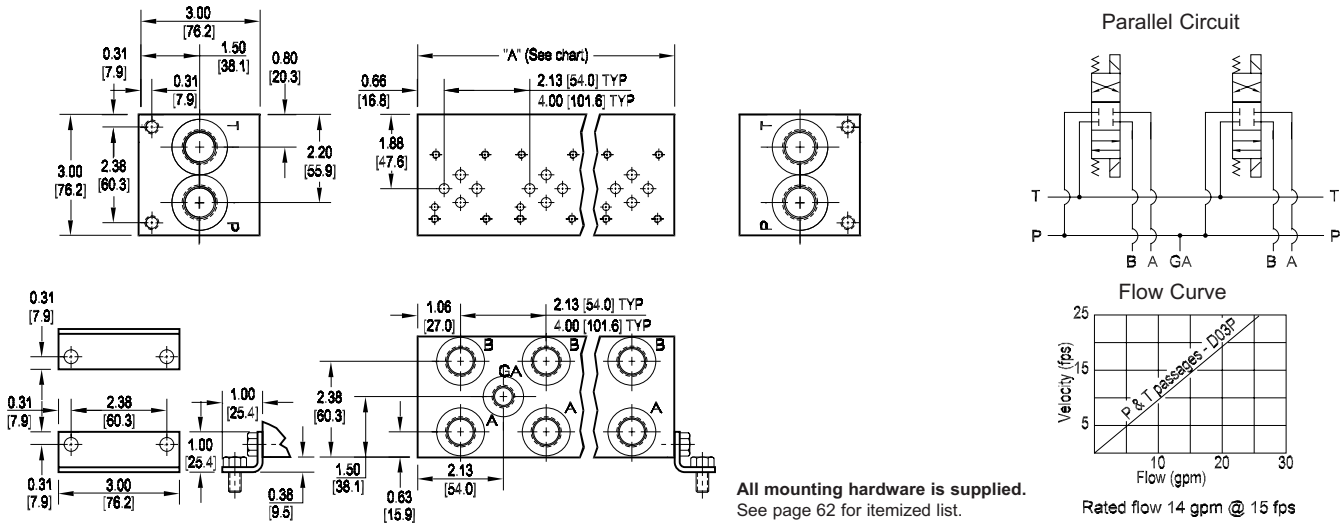


Ordering Information



| Relief Cavity | |
|---------------|---|
| | Omit if relief not required |
| C | Common cavity C-10-2 (P in nose) |
| S | Sun Cavity T-162A (P in nose) See Tech Info for valves. |

D03 Standard Flow Parallel Circuit Manifold



All mounting hardware is supplied.
See page 62 for itemized list.

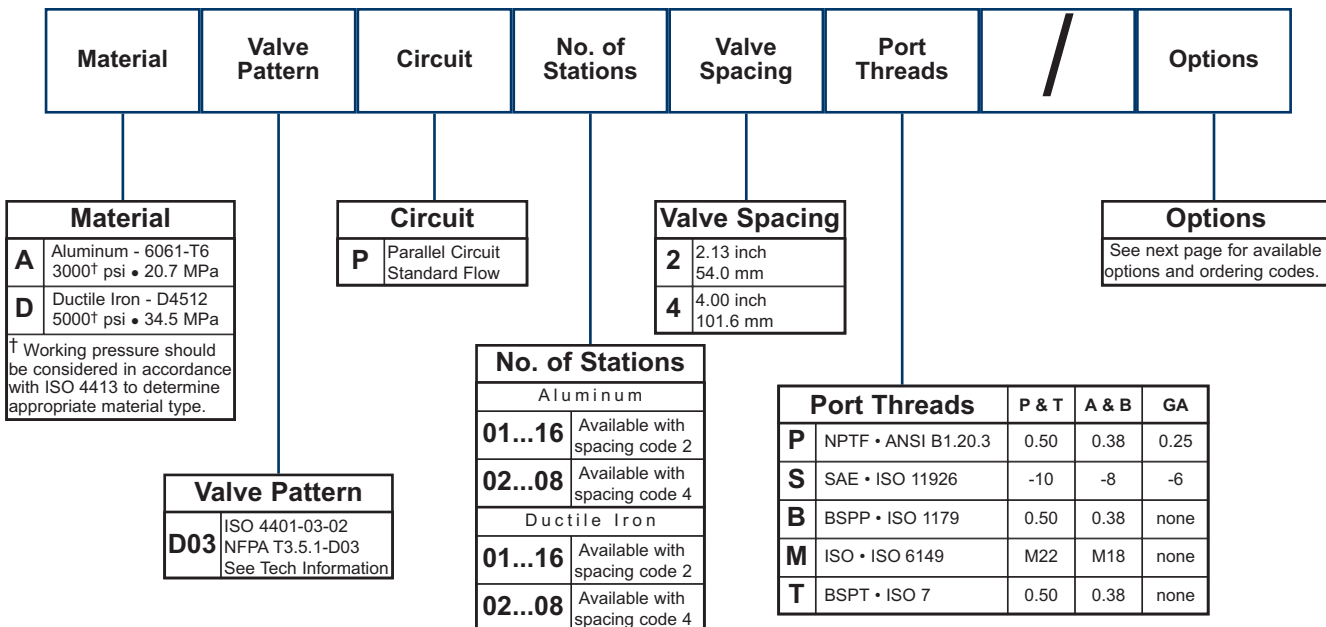
| No. of stations | * 01 | 02 | 03 | 04 | 05 | 06 | 07 | 08 | 09 | 10 | 11 | 12 | 13 | 14 | 15 | 16 |
|---------------------------------------|-------------|--------------|---------------|---------------|---------------|---------------|---------------|---------------|---------------|---------------|---------------|---------------|---------------|---------------|---------------|---------------|
| "A" length (code 2 spa.) inch [mm] | 2.13 [54.0] | 4.25 [108.0] | 6.38 [162.1] | 8.50 [215.9] | 10.63 [270.0] | 12.75 [323.9] | 14.88 [378.0] | 17.00 [431.8] | 19.13 [485.9] | 21.25 [539.8] | 23.38 [593.9] | 25.50 [647.7] | 27.63 [701.8] | 29.75 [755.7] | 31.88 [809.8] | 34.00 [853.6] |
| apx. weight alum lb [kg] | 3 [1] | 4 [2] | 6 [3] | 8 [4] | 9 [4] | 11 [5] | 12 [5] | 14 [6] | 16 [7] | 18 [8] | 20 [9] | 21 [10] | 22 [10] | 24 [11] | 26 [12] | 27 [12] |
| apx. weight iron lb [kg] | 5 [2] | 9 [4] | 13 [6] | 17 [8] | 21 [10] | 26 [12] | 30 [14] | 34 [15] | 38 [17] | 42 [19] | 47 [21] | 51 [23] | 55 [25] | 59 [27] | 63 [29] | 68 [31] |
| "A" length (code 4 spa.) inch [mm] | -- | 6.13 [155.7] | 10.13 [257.3] | 14.13 [358.9] | 18.13 [460.5] | 22.13 [562.1] | 26.13 [663.7] | 30.13 [765.3] | | | | | | | | |
| apx. weight alum lb [kg] | -- | 6 [3] | 9 [4] | 12 [5] | 15 [7] | 19 [9] | 22 [10] | 25 [11] | | | | | | | | |
| apx. weight iron lb [kg] | -- | 12 [5] | 20 [9] | 28 [13] | 36 [16] | 45 [20] | 53 [24] | 57 [26] | | | | | | | | |

| Port code | Valve mtg. | Manifold mtg. |
|-----------|---------------------------|------------------------------|
| P, S | #10-24 UNC x 0.63 [16] DP | 0.31-18 UNC x 0.44 [11.1] DP |
| B, M, T | M5 ISO 6H x 0.63 [16] DP | M8 ISO 6H x 0.44 [11.1] DP |

* Length of 01 station with relief cavity is 3.00 [76.2]. Gauge port not available on 01 station.

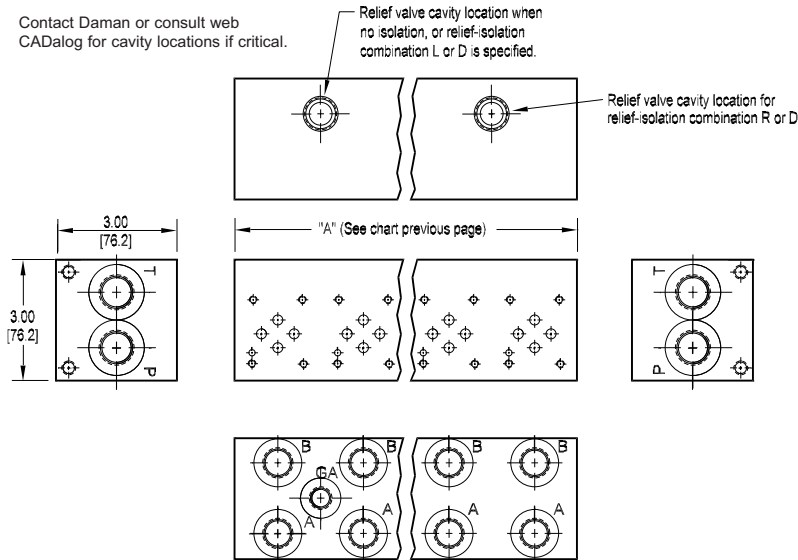
Specifications, descriptions, and dimensional data are subject to correction or change without notice or incurring obligation.
Download latest catalog page revisions at www.damanifolds.com.

Ordering Information



Options - D03 Standard Flow Parallel Manifold

Contact Daman or consult web CADalog for cavity locations if critical.

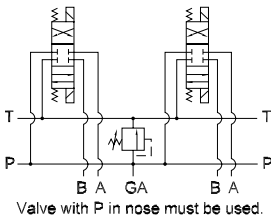


ISOLATIONS

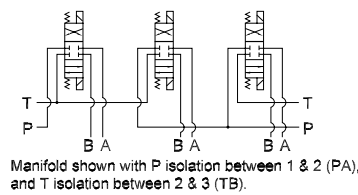
Daman isolation options allow a manifold to have two independent pressure and/or tank ports. Isolations are drilled rather than plugged to ensure a leakproof and failproof isolation.

| Ordering code letter: | * Isolation is between stations: | Available # of stations: |
|-----------------------|----------------------------------|--------------------------|
| 2.125 [54.0] spacing | | |
| A | 01 & 02 | 02-10 |
| B | 02 & 03 | 03-11 |
| C | 03 & 04 | 04-12 |
| D | 04 & 05 | 05-13 |
| E | 05 & 06 | 06-14 |
| F | 06 & 07 | 07-15 |
| G | 07 & 08 | 08-16 |
| H | 08 & 09 | 09-16 |
| J | 09 & 10 | 10-16 |
| 4.00 [101.6] spacing | | |
| A | 01 & 02 | 02-08 |
| B | 02 & 03 | 03-08 |
| C | 03 & 04 | 04-08 |
| D | 04 & 05 | 05-08 |
| E | 05 & 06 | 06-08 |
| F | 06 & 07 | 07-08 |
| G | 07 & 08 | 08 |

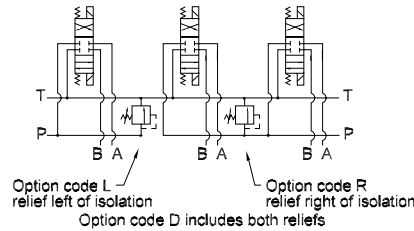
Parallel Circuit with Relief



Parallel Circuit with Isolations



Relief / Isolation Combination



* Stations are numbered left to right.

NOTES:

- 1) The GA port is not available on a (1) station manifold.
- 2) The GA port is not available when a pressure isolation is located between stations 1 & 2.
- 3) Some combinations of relief cavities and isolations are not possible. Consult factory to determine availability.

Ordering Information



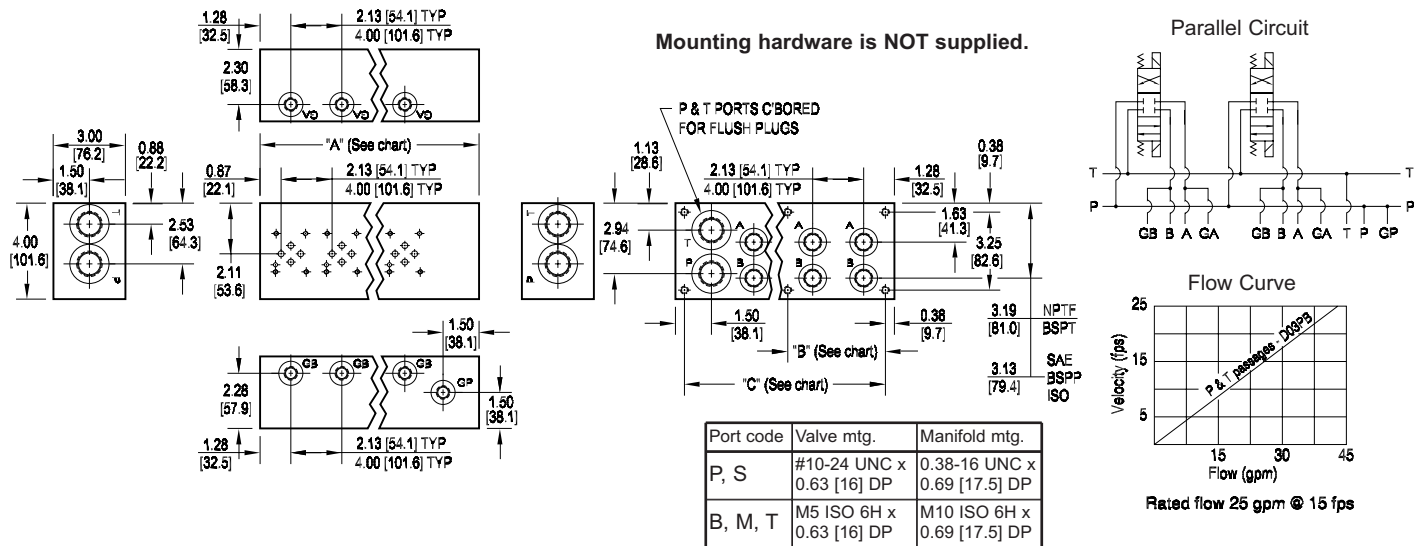
| Relief Cavity | |
|-----------------------------|--|
| Omit if relief not required | |
| C | Common cavity C-10-2 (P in nose) |
| S | Sun Cavity T-10A (P in nose) See Tech Info for valves. |

| Tank Isolation | |
|----------------------------------|-------------------------------|
| Omit if T isolation not required | |
| TA...TJ | Available with spacing code 2 |
| TA...TG | Available with spacing code 4 |

| Pressure Isolation | |
|----------------------------------|-------------------------------|
| Omit if P isolation not required | |
| PA...PJ | Available with spacing code 2 |
| PA...PG | Available with spacing code 4 |

| Relief / Isolation Combination | |
|---|--|
| Specify when using both relief and isolation options. | |
| L | Relief cavity is located left of the isolation. |
| R | Relief cavity is located right of the isolation. |
| D | Two relief cavities, one each side of isolation. |

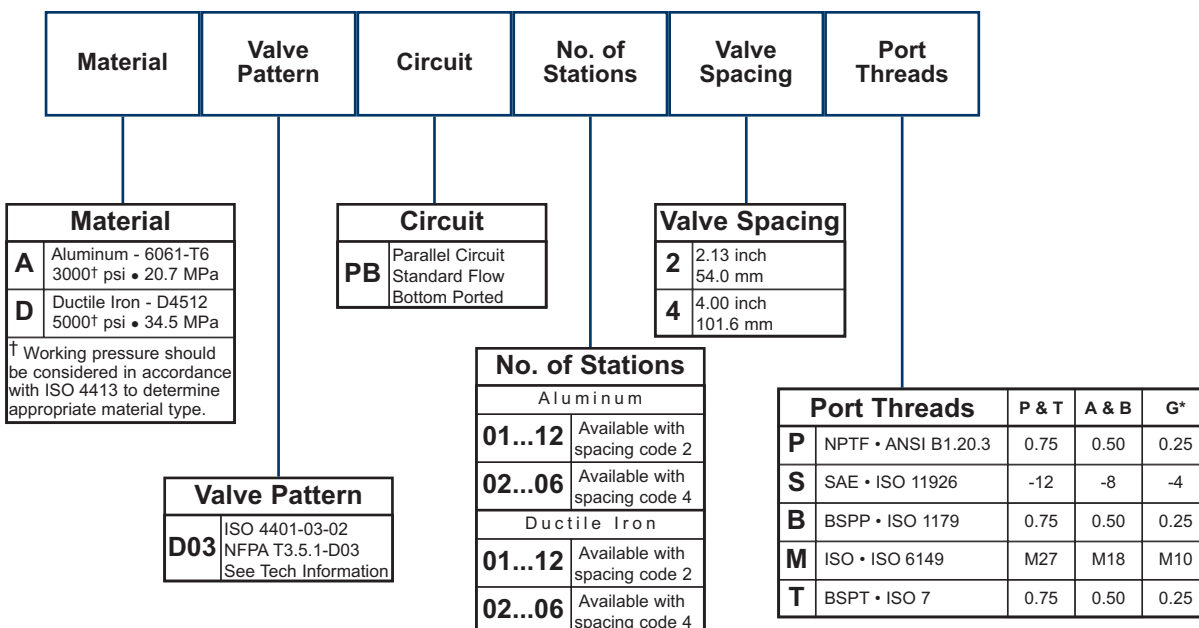
D03 Standard Flow Bottom Ported Manifold



| No. of stations | 01 | 02 | 03 | 04 | 05 | 06 | 07 | 08 | 09 | 10 | 11 | 12 | No. of stations | 02 | 03 | 04 | 05 | 06 |
|---------------------------------------|-----------------|-----------------|-----------------|------------------|------------------|------------------|------------------|------------------|------------------|------------------|------------------|------------------|---------------------------------------|-----------------|------------------|------------------|------------------|------------------|
| "A" length (code 2 spa.) inch [mm] | 4.38 [111.1] | 6.50 [165.1] | 8.63 [219.1] | 10.75 [273.1] | 12.88 [327.0] | 15.00 [381.0] | 17.13 [435.0] | 19.25 [489.0] | 21.38 [542.9] | 23.50 [596.9] | 25.63 [650.9] | 27.75 [704.9] | "A" length (code 4 spa.) inch [mm] | 8.38 [212.7] | 12.38 [314.3] | 16.38 [415.9] | 20.38 [517.5] | 24.38 [619.1] |
| "B" dim (code 2 spa.) inch [mm] | -- | -- | -- | -- | -- | -- | -- | 8.34 [211.9] | 8.34 [211.9] | 10.47 [265.9] | 10.47 [265.9] | 12.59 [319.9] | "B" dim (code 4 spa.) inch [mm] | -- | -- | -- | 10.91 [277.0] | 10.91 [277.0] |
| "C" dim (code 2 spa.) inch [mm] | 3.63 [92.1] | 5.75 [146.1] | 7.88 [200.0] | 10.00 [254.0] | 12.13 [308.0] | 14.25 [362.0] | 16.38 [415.9] | 18.50 [469.9] | 20.63 [523.9] | 22.75 [577.9] | 24.88 [631.8] | 27.00 [685.8] | "C" dim (code 4 spa.) inch [mm] | 7.63 [193.7] | 11.63 [295.3] | 15.63 [396.9] | 19.63 [498.5] | 23.38 [600.1] |
| apx. weight alum lb [kg] | 5 [2] | 8 [4] | 10 [5] | 13 [6] | 15 [7] | 18 [8] | 21 [9] | 23 [10] | 26 [12] | 28 [13] | 31 [14] | 33 [15] | apx. weight alum lb [kg] | 10 [5] | 15 [7] | 20 [9] | 24 [11] | 29 [13] |
| apx. weight iron lb [kg] | 14 [6] | 20 [9] | 27 [12] | 34 [15] | 40 [18] | 47 [21] | 53 [24] | 60 [27] | 67 [30] | 73 [33] | 80 [36] | 87 [39] | apx. weight iron lb [kg] | 26 [12] | 39 [18] | 51 [23] | 64 [29] | 76 [34] |

Specifications, descriptions, and dimensional data are subject to correction or change without notice or incurring obligation. Download latest catalog page revisions at www.damanifolds.com.

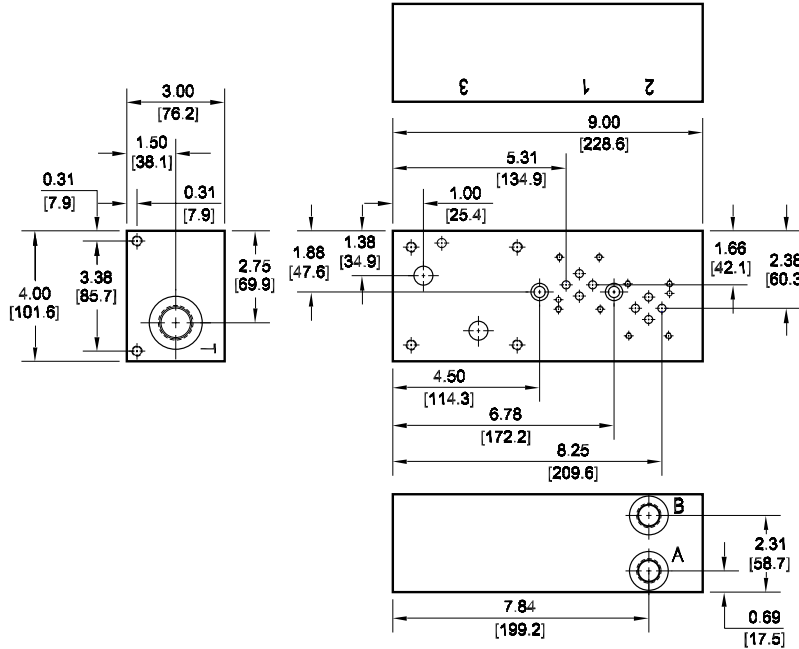
Ordering Information



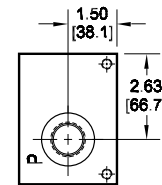
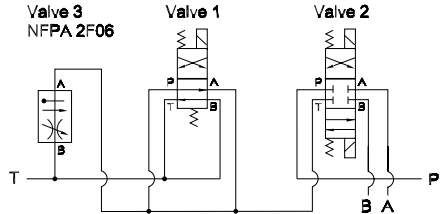
D03 Tank Line Feed Circuit Manifold

D03 Directional Valves 2F06 Flow Control Valve

Valve mtg: D03: UNC #10-24 x 0.63 DP
2F06: UNC 0.31-18 x 0.63 DP



"Meter Out" Tank Feed Circuit



Manifold Mounting:
Manifold bracket mounting kit is supplied. See page 62 for itemized mounting kit list.
Two SHCS clearance holes are provided for optional 5/16 (M8) SHCS mounting. Screws are user provided; minimum 3.00 in [75mm] long GR8 SHCS should be used.

Specifications, descriptions, and dimensional data are subject to correction or change without notice or incurring obligation. Download latest catalog page revisions at www.damanifolds.com.

Ordering Information

| Material | Valve Pattern | Circuit | Port Threads |
|----------|---------------|---------|--------------|
|----------|---------------|---------|--------------|

| Material | |
|----------|--|
| A | Aluminum - 6061-T6 3000† psi • 20.7 MPa |
| D | Ductile Iron - D4512 5000† psi • 34.5 MPa |

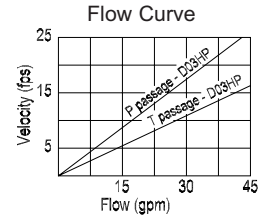
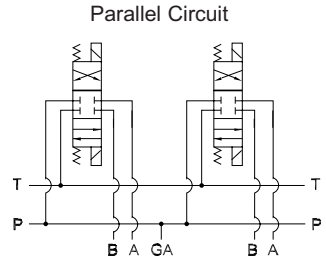
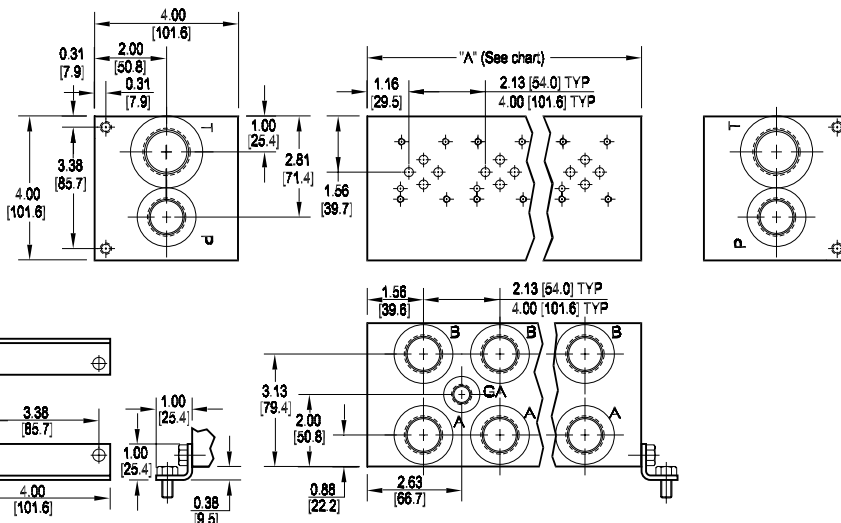
† Working pressure should be considered in accordance with ISO 4413 to determine appropriate material type.

| Valve Pattern | |
|---|---|
| D03 | ISO 4401-03-02 NFPA T3.5.1-D03 See Tech Information |
| Flow Control Pattern (REF): 2F06 Pattern ISO 6263-06-05 NFPA T3.5.1-2F06 | |

| Circuit | |
|-----------|------------------------|
| TF | Tank Line Feed Circuit |

| Port Threads | | | |
|--------------|---------------------|-------|------|
| | P & T | A & B | |
| P | NPTF • ANSI B1.20.3 | 0.75 | 0.38 |
| S | SAE • ISO 11926 | -12 | -8 |

D03 High Flow Parallel Circuit Manifold



Rated flow Pressure 25 gpm @ 15 fps
Rated flow Tank 41 gpm @ 15 fps

| No. of stations | * 01 | 02 | 03 | 04 | 05 | 06 | 07 | 08 | 09 | 10 | 11 | 12 | 13 | 14 | 15 | 16 |
|---------------------------------------|----------------|-----------------|------------------|------------------|------------------|------------------|------------------|------------------|------------------|------------------|------------------|------------------|------------------|------------------|------------------|------------------|
| "A" length (code 2 spa.) inch [mm] | 3.13 [79.5] | 5.25 [133.4] | 7.38 [187.5] | 9.50 [241.3] | 11.63 [295.4] | 13.75 [349.3] | 15.88 [403.4] | 18.00 [457.2] | 20.13 [511.3] | 22.25 [565.2] | 24.38 [619.1] | 26.50 [673.1] | 28.63 [727.1] | 30.75 [781.1] | 32.88 [835.0] | 35.00 [889.0] |
| apx. weight alum lb [kg] | 5 [2] | 8 [4] | 12 [5] | 15 [7] | 18 [8] | 22 [10] | 25 [11] | 28 [13] | 32 [15] | 35 [16] | 39 [18] | 42 [19] | 46 [21] | 49 [22] | 52 [24] | 56 [25] |
| apx. weight iron lb [kg] | 13 [6] | 22 [10] | 30 [14] | 39 [18] | 48 [22] | 57 [26] | 66 [30] | 74 [34] | 83 [38] | 92 [42] | -- | -- | -- | -- | -- | -- |
| "A" length (code 4 spa.) inch [mm] | -- | 7.13 [181.1] | 11.13 [282.7] | 15.13 [384.5] | 19.13 [485.9] | 23.13 [587.5] | 27.13 [689.1] | 31.13 [790.7] | | | | | | | | |
| apx. weight alum lb [kg] | -- | 11 [5] | 17 [8] | 24 [11] | 30 [14] | 37 [17] | 43 [20] | 49 [22] | | | | | | | | |
| apx. weight iron lb [kg] | -- | 29 [13] | 46 [21] | 62 [28] | 79 [36] | 96 [44] | 112 [51] | 129 [59] | | | | | | | | |

| Port code | Valve mtg. | Manifold mtg. |
|-----------|------------------------------|---------------------------------|
| P, S | #10-24 UNC x 0.63 [16] DP | 0.31-18 UNC x 0.44 [11.1] DP |
| B, M, T | M5 ISO 6H x 0.63 [16] DP | M8 ISO 6H x 0.44 [11.1] DP |

All mounting hardware is supplied. See page 62 for itemized list.

* Length of 01 station with relief cavity is 4.00 [101.6]. Gauge port not available on 01 station.

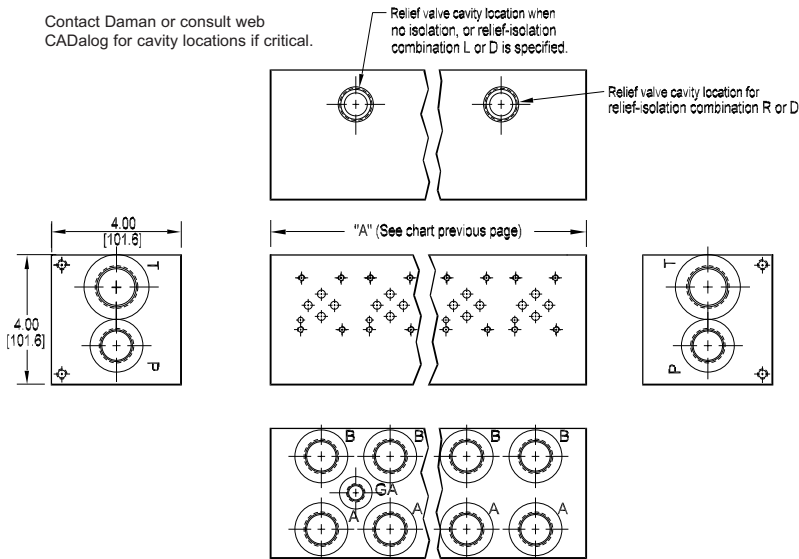
Specifications, descriptions, and dimensional data are subject to correction or change without notice or incurring obligation.
Download latest catalog page revisions at www.damanifolds.com.

Ordering Information

| Material | Valve Pattern | Circuit | No. of Stations | Valve Spacing | Port Threads | Options | | | | | | | | | | | | | | | | | | | | | | | | | | | | | | | | | | | | | | | | | | | | | | | | | | | | | | | | | | | | | | | | | | | | | | | |
|--|---|---------|-----------------|--|--------------|--|---|---------------|--|------------|---|---|---------|--|-----------|-------------------------------|---|-----------------|--|----------|--|----------------|-------------------------------|----------------|-------------------------------|--------------|--|----------------|-------------------------------|----------------|-------------------------------|--|---------------|--|----------|----------------------|----------|-----------------------|--|--------------|--|--|--|---|-------|---|----|----------|---------------------|------|------|------|----------|-----------------|-----|-----|----|----------|-----------------|------|------|------|----------|----------------|-----|-----|------|----------|--------------|------|------|------|---|---------|--|---|--|
| <table border="1"> <thead> <tr> <th colspan="2">Material</th> </tr> </thead> <tbody> <tr> <td>A</td> <td>Aluminum - 6061-T6 3000[†] psi • 20.7 MPa</td> </tr> <tr> <td>D</td> <td>Ductile Iron - D4512 5000[†] psi • 34.5 MPa</td> </tr> </tbody> </table> <p>[†] Working pressure should be considered in accordance with ISO 4413 to determine appropriate material type.</p> | Material | | A | Aluminum - 6061-T6 3000 [†] psi • 20.7 MPa | D | Ductile Iron - D4512 5000 [†] psi • 34.5 MPa | <table border="1"> <thead> <tr> <th colspan="2">Valve Pattern</th> </tr> </thead> <tbody> <tr> <td>D03</td> <td>ISO 4401-03-02 NFPA T3.5.1-D03 See Tech information</td> </tr> </tbody> </table> | Valve Pattern | | D03 | ISO 4401-03-02 NFPA T3.5.1-D03 See Tech information | <table border="1"> <thead> <tr> <th colspan="2">Circuit</th> </tr> </thead> <tbody> <tr> <td>HP</td> <td>Parallel Circuit High Flow</td> </tr> </tbody> </table> | Circuit | | HP | Parallel Circuit High Flow | <table border="1"> <thead> <tr> <th colspan="2">No. of Stations</th> </tr> </thead> <tbody> <tr> <td colspan="2">Aluminum</td> </tr> <tr> <td>01...16</td> <td>Available with spacing code 2</td> </tr> <tr> <td>02...08</td> <td>Available with spacing code 4</td> </tr> <tr> <td colspan="2">Ductile Iron</td> </tr> <tr> <td>01...10</td> <td>Available with spacing code 2</td> </tr> <tr> <td>02...08</td> <td>Available with spacing code 4</td> </tr> </tbody> </table> | No. of Stations | | Aluminum | | 01...16 | Available with spacing code 2 | 02...08 | Available with spacing code 4 | Ductile Iron | | 01...10 | Available with spacing code 2 | 02...08 | Available with spacing code 4 | <table border="1"> <thead> <tr> <th colspan="2">Valve Spacing</th> </tr> </thead> <tbody> <tr> <td>2</td> <td>2.13 inch 54.0 mm</td> </tr> <tr> <td>4</td> <td>4.00 inch 101.6 mm</td> </tr> </tbody> </table> | Valve Spacing | | 2 | 2.13 inch 54.0 mm | 4 | 4.00 inch 101.6 mm | <table border="1"> <thead> <tr> <th colspan="4">Port Threads</th> </tr> </thead> <tbody> <tr> <th>P</th> <th>P,A,B</th> <th>T</th> <th>GA</th> </tr> <tr> <td>P</td> <td>NPTF • ANSI B1.20.3</td> <td>0.75</td> <td>1.00</td> <td>0.25</td> </tr> <tr> <td>S</td> <td>SAE • ISO 11926</td> <td>-12</td> <td>-16</td> <td>-6</td> </tr> <tr> <td>B</td> <td>BSPP • ISO 1179</td> <td>0.75</td> <td>1.00</td> <td>none</td> </tr> <tr> <td>M</td> <td>ISO • ISO 6149</td> <td>M27</td> <td>M33</td> <td>none</td> </tr> <tr> <td>T</td> <td>BSPT • ISO 7</td> <td>0.75</td> <td>1.00</td> <td>none</td> </tr> </tbody> </table> | Port Threads | | | | P | P,A,B | T | GA | P | NPTF • ANSI B1.20.3 | 0.75 | 1.00 | 0.25 | S | SAE • ISO 11926 | -12 | -16 | -6 | B | BSPP • ISO 1179 | 0.75 | 1.00 | none | M | ISO • ISO 6149 | M27 | M33 | none | T | BSPT • ISO 7 | 0.75 | 1.00 | none | <table border="1"> <thead> <tr> <th colspan="2">Options</th> </tr> </thead> <tbody> <tr> <td colspan="2">See next page for available options and ordering codes.</td> </tr> </tbody> </table> | Options | | See next page for available options and ordering codes. | |
| Material | | | | | | | | | | | | | | | | | | | | | | | | | | | | | | | | | | | | | | | | | | | | | | | | | | | | | | | | | | | | | | | | | | | | | | | | | | | | | |
| A | Aluminum - 6061-T6 3000 [†] psi • 20.7 MPa | | | | | | | | | | | | | | | | | | | | | | | | | | | | | | | | | | | | | | | | | | | | | | | | | | | | | | | | | | | | | | | | | | | | | | | | | | | | |
| D | Ductile Iron - D4512 5000 [†] psi • 34.5 MPa | | | | | | | | | | | | | | | | | | | | | | | | | | | | | | | | | | | | | | | | | | | | | | | | | | | | | | | | | | | | | | | | | | | | | | | | | | | | |
| Valve Pattern | | | | | | | | | | | | | | | | | | | | | | | | | | | | | | | | | | | | | | | | | | | | | | | | | | | | | | | | | | | | | | | | | | | | | | | | | | | | | |
| D03 | ISO 4401-03-02 NFPA T3.5.1-D03 See Tech information | | | | | | | | | | | | | | | | | | | | | | | | | | | | | | | | | | | | | | | | | | | | | | | | | | | | | | | | | | | | | | | | | | | | | | | | | | | | |
| Circuit | | | | | | | | | | | | | | | | | | | | | | | | | | | | | | | | | | | | | | | | | | | | | | | | | | | | | | | | | | | | | | | | | | | | | | | | | | | | | |
| HP | Parallel Circuit High Flow | | | | | | | | | | | | | | | | | | | | | | | | | | | | | | | | | | | | | | | | | | | | | | | | | | | | | | | | | | | | | | | | | | | | | | | | | | | | |
| No. of Stations | | | | | | | | | | | | | | | | | | | | | | | | | | | | | | | | | | | | | | | | | | | | | | | | | | | | | | | | | | | | | | | | | | | | | | | | | | | | | |
| Aluminum | | | | | | | | | | | | | | | | | | | | | | | | | | | | | | | | | | | | | | | | | | | | | | | | | | | | | | | | | | | | | | | | | | | | | | | | | | | | | |
| 01...16 | Available with spacing code 2 | | | | | | | | | | | | | | | | | | | | | | | | | | | | | | | | | | | | | | | | | | | | | | | | | | | | | | | | | | | | | | | | | | | | | | | | | | | | |
| 02...08 | Available with spacing code 4 | | | | | | | | | | | | | | | | | | | | | | | | | | | | | | | | | | | | | | | | | | | | | | | | | | | | | | | | | | | | | | | | | | | | | | | | | | | | |
| Ductile Iron | | | | | | | | | | | | | | | | | | | | | | | | | | | | | | | | | | | | | | | | | | | | | | | | | | | | | | | | | | | | | | | | | | | | | | | | | | | | | |
| 01...10 | Available with spacing code 2 | | | | | | | | | | | | | | | | | | | | | | | | | | | | | | | | | | | | | | | | | | | | | | | | | | | | | | | | | | | | | | | | | | | | | | | | | | | | |
| 02...08 | Available with spacing code 4 | | | | | | | | | | | | | | | | | | | | | | | | | | | | | | | | | | | | | | | | | | | | | | | | | | | | | | | | | | | | | | | | | | | | | | | | | | | | |
| Valve Spacing | | | | | | | | | | | | | | | | | | | | | | | | | | | | | | | | | | | | | | | | | | | | | | | | | | | | | | | | | | | | | | | | | | | | | | | | | | | | | |
| 2 | 2.13 inch 54.0 mm | | | | | | | | | | | | | | | | | | | | | | | | | | | | | | | | | | | | | | | | | | | | | | | | | | | | | | | | | | | | | | | | | | | | | | | | | | | | |
| 4 | 4.00 inch 101.6 mm | | | | | | | | | | | | | | | | | | | | | | | | | | | | | | | | | | | | | | | | | | | | | | | | | | | | | | | | | | | | | | | | | | | | | | | | | | | | |
| Port Threads | | | | | | | | | | | | | | | | | | | | | | | | | | | | | | | | | | | | | | | | | | | | | | | | | | | | | | | | | | | | | | | | | | | | | | | | | | | | | |
| P | P,A,B | T | GA | | | | | | | | | | | | | | | | | | | | | | | | | | | | | | | | | | | | | | | | | | | | | | | | | | | | | | | | | | | | | | | | | | | | | | | | | | |
| P | NPTF • ANSI B1.20.3 | 0.75 | 1.00 | 0.25 | | | | | | | | | | | | | | | | | | | | | | | | | | | | | | | | | | | | | | | | | | | | | | | | | | | | | | | | | | | | | | | | | | | | | | | | | |
| S | SAE • ISO 11926 | -12 | -16 | -6 | | | | | | | | | | | | | | | | | | | | | | | | | | | | | | | | | | | | | | | | | | | | | | | | | | | | | | | | | | | | | | | | | | | | | | | | | |
| B | BSPP • ISO 1179 | 0.75 | 1.00 | none | | | | | | | | | | | | | | | | | | | | | | | | | | | | | | | | | | | | | | | | | | | | | | | | | | | | | | | | | | | | | | | | | | | | | | | | | |
| M | ISO • ISO 6149 | M27 | M33 | none | | | | | | | | | | | | | | | | | | | | | | | | | | | | | | | | | | | | | | | | | | | | | | | | | | | | | | | | | | | | | | | | | | | | | | | | | |
| T | BSPT • ISO 7 | 0.75 | 1.00 | none | | | | | | | | | | | | | | | | | | | | | | | | | | | | | | | | | | | | | | | | | | | | | | | | | | | | | | | | | | | | | | | | | | | | | | | | | |
| Options | | | | | | | | | | | | | | | | | | | | | | | | | | | | | | | | | | | | | | | | | | | | | | | | | | | | | | | | | | | | | | | | | | | | | | | | | | | | | |
| See next page for available options and ordering codes. | | | | | | | | | | | | | | | | | | | | | | | | | | | | | | | | | | | | | | | | | | | | | | | | | | | | | | | | | | | | | | | | | | | | | | | | | | | | | |

Options - D03 High Flow Parallel Manifold

Contact Daman or consult web CADalog for cavity locations if critical.

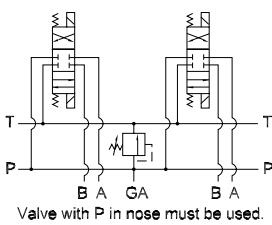


ISOLATIONS

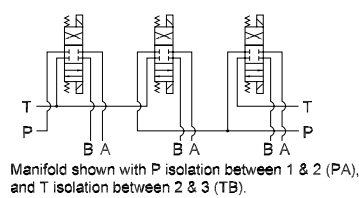
Daman isolation options allow a manifold to have two independent pressure and/or tank ports. Isolations are drilled rather than plugged to ensure a leakproof and failproof isolation.

| Ordering code letter: | * Isolation is between stations: | Available # of stations: |
|-----------------------|----------------------------------|--------------------------|
| 2.125 [54.0] spacing | | |
| A | 01 & 02 | 02-10 |
| B | 02 & 03 | 03-11 |
| C | 03 & 04 | 04-12 |
| D | 04 & 05 | 05-13 |
| E | 05 & 06 | 06-14 |
| F | 06 & 07 | 07-15 |
| G | 07 & 08 | 08-16 |
| H | 08 & 09 | 09-16 |
| J | 09 & 10 | 10-16 |
| 4.00 [101.6] spacing | | |
| A | 01 & 02 | 02-08 |
| B | 02 & 03 | 03-08 |
| C | 03 & 04 | 04-08 |
| D | 04 & 05 | 05-08 |
| E | 05 & 06 | 06-08 |
| F | 06 & 07 | 07-08 |
| G | 07 & 08 | 08 |

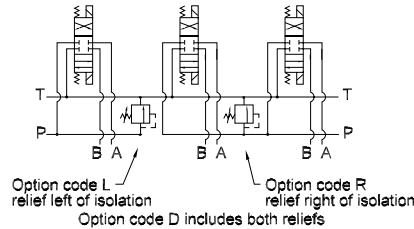
Parallel Circuit with Relief



Parallel Circuit with Isolations



Relief / Isolation Combination



* Stations are numbered left to right.

NOTES:

- 1) The GA port is not available on a (1) station manifold.
- 2) The GA port is not available when a pressure isolation is located between stations 1 & 2.
- 3) Some combinations of relief cavities and isolations are not possible. Consult factory to determine availability.

Ordering Information



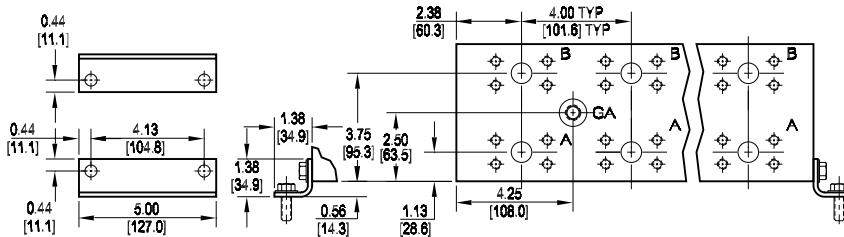
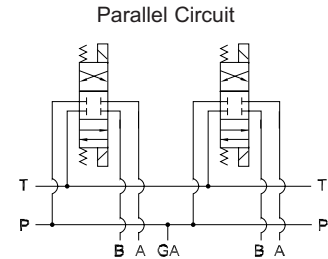
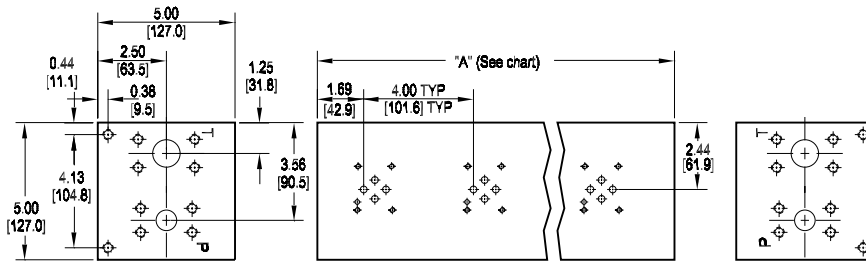
| Relief Cavity | |
|-----------------------------|---|
| Omit if relief not required | |
| C | Common cavity C-16-2 (P in nose) |
| S | Sun Cavity T-3A (P in nose) See Tech Info for valves. |

| Tank Isolation | |
|----------------------------------|-------------------------------|
| Omit if T isolation not required | |
| TA...TJ | Available with spacing code 2 |
| TA...TG | Available with spacing code 4 |

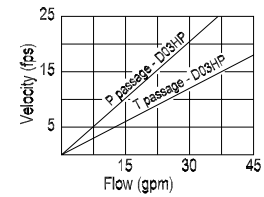
| Pressure Isolation | |
|----------------------------------|-------------------------------|
| Omit if P isolation not required | |
| PA...PJ | Available with spacing code 2 |
| PA...PG | Available with spacing code 4 |

| Relief / Isolation Combination | |
|---|--|
| Specify when using both relief and isolation options. | |
| L | Relief cavity is located left of the isolation. |
| R | Relief cavity is located right of the isolation. |
| D | Two relief cavities, one each side of isolation. |

D03 High Flow Parallel Circuit Manifold - Flange Ports



Flow Curve



Rated flow Pressure 21 gpm @ 15 fps
 Rated flow Tank 37 gpm @ 15 fps

| No. of stations | * 01 | 02 | 03 | 04 | 05 | 06 | 07 | 08 |
|-----------------------------|-----------------|-----------------|------------------|------------------|------------------|------------------|------------------|------------------|
| "A" length inch [mm] | 4.75 [120.7] | 8.75 [222.3] | 12.75 [323.9] | 16.75 [425.5] | 20.75 [527.1] | 24.75 [628.7] | 28.75 [730.3] | 32.75 [831.9] |
| apx. weight alum lb [kg] | 12 [5.5] | 22 [10] | 32 [14.5] | 42 [19] | 52 [23.5] | 62 [28] | 72 [33] | 82 [37] |
| apx. weight iron lb [kg] | 31 [14] | 57 [26] | 83 [38] | 109 [49] | 135 [61] | 161 [73] | 187 [85] | 213 [97] |

* Length of 01 station with relief cavity is 5.75 [146.1]. Gauge port not available on 01 station.

All mounting hardware is supplied.
 See page 62 for itemized list.

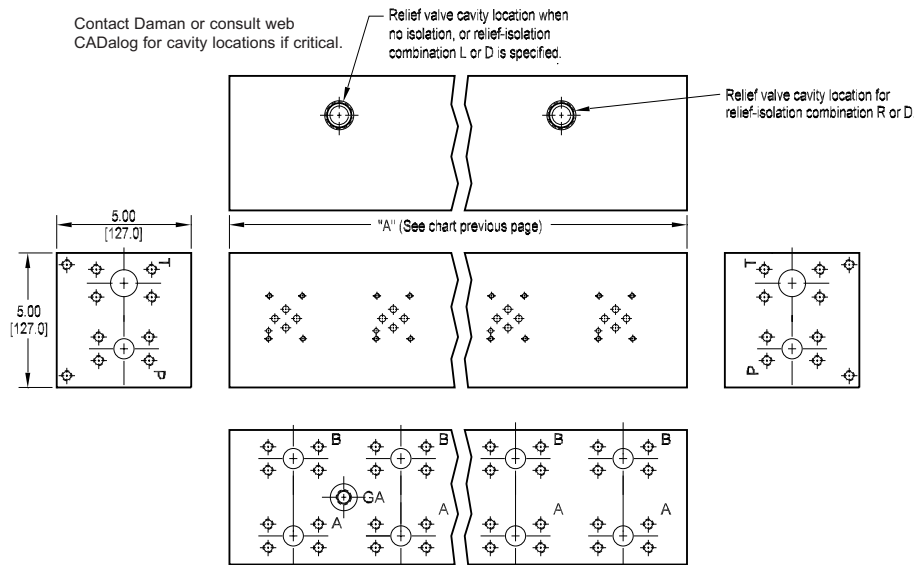
| Port code | Valve mtg. | Manifold mtg. | Flange mtg. | GA Port |
|--------------|------------------------------|-------------------------------|-----------------------------|-----------------|
| F | #10-24 UNC x 0.63 [16] DP | 0.38-16 UNC x 0.75 [19] DP | ISO 6162 Type II - Inch | -6 SAE J1926 |
| F / M | M5 ISO 6H x 0.63 [16] DP | M10 ISO 6H x 0.75 [19] DP | ISO 6162 Type I - metric | NONE |

Specifications, descriptions, and dimensional data are subject to correction or change without notice or incurring obligation.
 Download latest catalog page revisions at www.damanifolds.com.

Ordering Information

| Material | Valve Pattern | Circuit | No. of Stations | Valve Spacing | Port Threads | Options | | | | | | | | | | | | | | | | | | | | | | | | | | | | | | | | | | | | | | |
|---|--|---|-----------------|--|-----------------|--|---|--|--|---------------|--|------------|---|--|---------|--|-----------|-------------------------------|---|-----------------|--|----------------|---|---|---------------|--|----------|-----------------------|---|--------------|--|--|----------|--|---|-------|---|-----------------|-----------------|--|---------|--|--|---|
| <table border="1" style="width: 100%; border-collapse: collapse;"> <thead> <tr> <th colspan="2">Material</th> </tr> </thead> <tbody> <tr> <td style="width: 20px;">A</td> <td>Aluminum - 6061-T6 3000† psi • 20.7 MPa</td> </tr> <tr> <td>D</td> <td>Ductile Iron - D4512 5000† psi • 34.5 MPa</td> </tr> <tr> <td colspan="2">† Working pressure should be considered in accordance with ISO 4413 to determine appropriate material type.</td> </tr> </tbody> </table> | Material | | A | Aluminum - 6061-T6 3000† psi • 20.7 MPa | D | Ductile Iron - D4512 5000† psi • 34.5 MPa | † Working pressure should be considered in accordance with ISO 4413 to determine appropriate material type. | | <table border="1" style="width: 100%; border-collapse: collapse;"> <thead> <tr> <th colspan="2">Valve Pattern</th> </tr> </thead> <tbody> <tr> <td style="width: 20px;">D03</td> <td>ISO 4401-03-02 NFPA T3.5.1-D03 See Tech Information</td> </tr> </tbody> </table> | Valve Pattern | | D03 | ISO 4401-03-02 NFPA T3.5.1-D03 See Tech Information | <table border="1" style="width: 100%; border-collapse: collapse;"> <thead> <tr> <th colspan="2">Circuit</th> </tr> </thead> <tbody> <tr> <td style="width: 20px;">HP</td> <td>Parallel Circuit High Flow</td> </tr> </tbody> </table> | Circuit | | HP | Parallel Circuit High Flow | <table border="1" style="width: 100%; border-collapse: collapse;"> <thead> <tr> <th colspan="2">No. of Stations</th> </tr> </thead> <tbody> <tr> <td style="width: 20px;">01...08</td> <td>Aluminum or Ductile Iron Available with spacing code 4</td> </tr> </tbody> </table> | No. of Stations | | 01...08 | Aluminum or Ductile Iron Available with spacing code 4 | <table border="1" style="width: 100%; border-collapse: collapse;"> <thead> <tr> <th colspan="2">Valve Spacing</th> </tr> </thead> <tbody> <tr> <td style="width: 20px;">4</td> <td>4.00 inch 101.6 mm</td> </tr> </tbody> </table> | Valve Spacing | | 4 | 4.00 inch 101.6 mm | <table border="1" style="width: 100%; border-collapse: collapse;"> <thead> <tr> <th colspan="3">Port Threads</th> </tr> </thead> <tbody> <tr> <td style="width: 20px;">F</td> <td style="width: 40px;">CODE 61 4-Bolt Flange SAE J518 - CODE 61 ISO 6162 - 2.5 to 35 MPa</td> <td style="width: 40px;"> <table border="1" style="width: 100%; border-collapse: collapse;"> <thead> <tr> <th>P,A,B</th> <th>T</th> </tr> </thead> <tbody> <tr> <td>0.75 CODE 61</td> <td>1.00 CODE 61</td> </tr> </tbody> </table> </td> </tr> </tbody> </table> | Port Threads | | | F | CODE 61 4-Bolt Flange SAE J518 - CODE 61 ISO 6162 - 2.5 to 35 MPa | <table border="1" style="width: 100%; border-collapse: collapse;"> <thead> <tr> <th>P,A,B</th> <th>T</th> </tr> </thead> <tbody> <tr> <td>0.75 CODE 61</td> <td>1.00 CODE 61</td> </tr> </tbody> </table> | P,A,B | T | 0.75 CODE 61 | 1.00 CODE 61 | <table border="1" style="width: 100%; border-collapse: collapse;"> <thead> <tr> <th colspan="2">Options</th> </tr> </thead> <tbody> <tr> <td style="width: 20px;"></td> <td>See next page for available options and ordering codes.</td> </tr> </tbody> </table> | Options | | | See next page for available options and ordering codes. |
| Material | | | | | | | | | | | | | | | | | | | | | | | | | | | | | | | | | | | | | | | | | | | | |
| A | Aluminum - 6061-T6 3000† psi • 20.7 MPa | | | | | | | | | | | | | | | | | | | | | | | | | | | | | | | | | | | | | | | | | | | |
| D | Ductile Iron - D4512 5000† psi • 34.5 MPa | | | | | | | | | | | | | | | | | | | | | | | | | | | | | | | | | | | | | | | | | | | |
| † Working pressure should be considered in accordance with ISO 4413 to determine appropriate material type. | | | | | | | | | | | | | | | | | | | | | | | | | | | | | | | | | | | | | | | | | | | | |
| Valve Pattern | | | | | | | | | | | | | | | | | | | | | | | | | | | | | | | | | | | | | | | | | | | | |
| D03 | ISO 4401-03-02 NFPA T3.5.1-D03 See Tech Information | | | | | | | | | | | | | | | | | | | | | | | | | | | | | | | | | | | | | | | | | | | |
| Circuit | | | | | | | | | | | | | | | | | | | | | | | | | | | | | | | | | | | | | | | | | | | | |
| HP | Parallel Circuit High Flow | | | | | | | | | | | | | | | | | | | | | | | | | | | | | | | | | | | | | | | | | | | |
| No. of Stations | | | | | | | | | | | | | | | | | | | | | | | | | | | | | | | | | | | | | | | | | | | | |
| 01...08 | Aluminum or Ductile Iron Available with spacing code 4 | | | | | | | | | | | | | | | | | | | | | | | | | | | | | | | | | | | | | | | | | | | |
| Valve Spacing | | | | | | | | | | | | | | | | | | | | | | | | | | | | | | | | | | | | | | | | | | | | |
| 4 | 4.00 inch 101.6 mm | | | | | | | | | | | | | | | | | | | | | | | | | | | | | | | | | | | | | | | | | | | |
| Port Threads | | | | | | | | | | | | | | | | | | | | | | | | | | | | | | | | | | | | | | | | | | | | |
| F | CODE 61 4-Bolt Flange SAE J518 - CODE 61 ISO 6162 - 2.5 to 35 MPa | <table border="1" style="width: 100%; border-collapse: collapse;"> <thead> <tr> <th>P,A,B</th> <th>T</th> </tr> </thead> <tbody> <tr> <td>0.75 CODE 61</td> <td>1.00 CODE 61</td> </tr> </tbody> </table> | P,A,B | T | 0.75 CODE 61 | 1.00 CODE 61 | | | | | | | | | | | | | | | | | | | | | | | | | | | | | | | | | | | | | | |
| P,A,B | T | | | | | | | | | | | | | | | | | | | | | | | | | | | | | | | | | | | | | | | | | | | |
| 0.75 CODE 61 | 1.00 CODE 61 | | | | | | | | | | | | | | | | | | | | | | | | | | | | | | | | | | | | | | | | | | | |
| Options | | | | | | | | | | | | | | | | | | | | | | | | | | | | | | | | | | | | | | | | | | | | |
| | See next page for available options and ordering codes. | | | | | | | | | | | | | | | | | | | | | | | | | | | | | | | | | | | | | | | | | | | |

Options - D03 High Flow Parallel Manifold Flange Ports



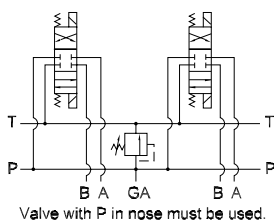
| ISOLATIONS | | |
|--|----------------------------------|--------------------------|
| Daman isolation options allow a manifold to have two independent pressure and/or tank ports. Isolations are drilled rather than plugged to ensure a leakproof and failproof isolation. | | |
| Ordering code letter: | * Isolation is between stations: | Available # of stations: |
| A | 01 & 02 | 02-08 |
| B | 02 & 03 | 03-08 |
| C | 03 & 04 | 04-08 |
| D | 04 & 05 | 05-08 |
| E | 05 & 06 | 06-08 |
| F | 06 & 07 | 07-08 |
| G | 07 & 08 | 08 |

* Stations are numbered left to right.

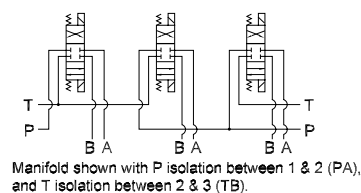
NOTES:

- 1) The GA port is not available on a (1) station manifold.
- 2) The GA port is not available when a pressure isolation is located between stations 1 & 2.

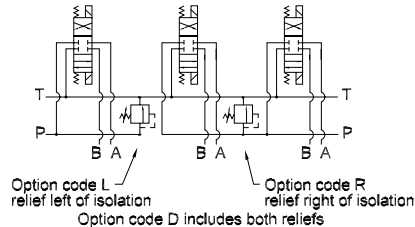
Parallel Circuit with Relief



Parallel Circuit with Isolations



Relief / Isolation Combination



Ordering Information

| | | | | | |
|-----|-------------|---------------|--------------------|----------------|--------------------|
| ... | Thread Type | Relief Cavity | Pressure Isolation | Tank Isolation | Relief & Isolation |
|-----|-------------|---------------|--------------------|----------------|--------------------|

| Thread Type | |
|-------------|------------------------|
| Omit | Inch threads / ports |
| M | Metric threads / ports |

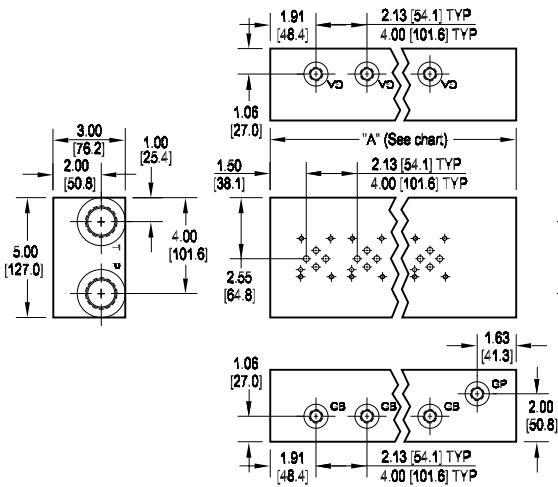
| Relief Cavity | |
|-----------------------------|---|
| Omit if relief not required | |
| C | Common cavity C-16-2 (P in nose) |
| S | Sun Cavity T-3A (P in nose) See Tech Info for valves. |

| Tank Isolation | |
|----------------------------------|-------------------------------|
| Omit if T isolation not required | |
| TA...TG | Available with spacing code 4 |

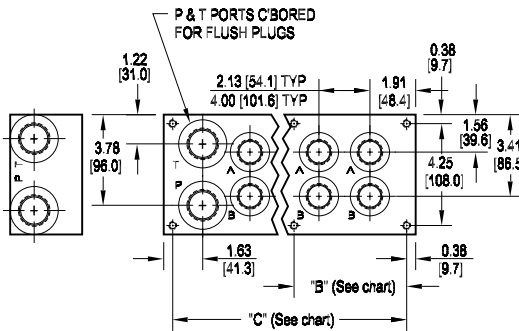
| Relief / Isolation Combination | |
|---|--|
| Specify when using both relief and isolation options. | |
| L | Relief cavity is located left of the isolation. |
| R | Relief cavity is located right of the isolation. |
| D | Two relief cavities, one each side of isolation. |

| Pressure Isolation | |
|----------------------------------|-------------------------------|
| Omit if P isolation not required | |
| PA...PG | Available with spacing code 4 |

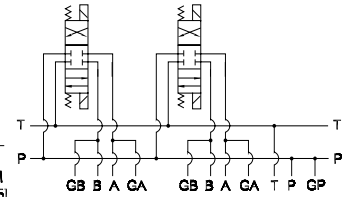
D03 High Flow Bottom Ported Manifold



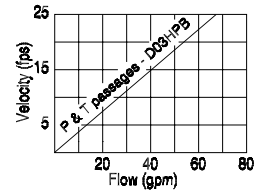
Mounting hardware is NOT supplied.



Parallel Circuit



Flow Curve



| Port code | Valve mtg. | Manifold mtg. |
|-----------|-----------------------------|------------------------------|
| P, S | #10-24 UNC x 0.56 [14.3] DP | 0.38-16 UNC x 1.00 [25.4] DP |
| B, M, T | M5 ISO 6H x 0.56 [14.3] DP | M10 ISO 6H x 1.00 [25.4] DP |

| No. of stations | 01 | 02 | 03 | 04 | 05 | 06 | 07 | 08 | 09 | 10 | No. of stations | 02 | 03 | 04 | 05 | 06 |
|---------------------------------------|--------------|--------------|--------------|---------------|---------------|---------------|---------------|---------------|---------------|---------------|---------------------------------------|--------------|---------------|---------------|---------------|---------------|
| "A" length (code 2 spa.) inch [mm] | 5.50 [139.7] | 7.63 [193.7] | 9.75 [247.7] | 11.88 [301.6] | 14.00 [355.6] | 16.13 [409.6] | 18.25 [463.6] | 20.38 [517.5] | 22.50 [571.5] | 24.63 [625.5] | "A" length (code 4 spa.) inch [mm] | 9.50 [241.3] | 13.50 [342.9] | 17.50 [444.5] | 21.50 [546.1] | 25.50 [647.7] |
| "B" dim (code 2 spa.) inch [mm] | -- | -- | -- | -- | -- | -- | 8.97 [227.8] | 11.09 [281.8] | 11.09 [281.8] | 11.09 [281.8] | "B" dim (code 4 spa.) inch [mm] | -- | -- | -- | 11.53 [292.9] | 11.53 [292.9] |
| "C" dim (code 2 spa.) inch [mm] | 4.75 [120.7] | 6.88 [174.6] | 9.00 [228.6] | 11.13 [282.6] | 13.25 [336.6] | 15.38 [390.5] | 17.50 [444.5] | 19.63 [498.5] | 21.75 [552.5] | 23.88 [606.4] | "C" dim (code 4 spa.) inch [mm] | 8.75 [222.3] | 12.75 [323.9] | 16.75 [425.5] | 20.75 [527.1] | 24.75 [628.7] |
| apx. weight alum lb [kg] | 8 [4] | 11 [5] | 15 [7] | 18 [8] | 21 [10] | 24 [11] | 27 [12] | 31 [14] | 34 [15] | 37 [17] | apx. weight alum lb [kg] | 14 [6] | 20 [9] | 26 [12] | 32 [15] | 38 [17] |
| apx. weight iron lb [kg] | 21 [10] | 30 [13] | 38 [17] | 46 [21] | 55 [25] | 63 [29] | 71 [32] | 79 [36] | 88 [40] | 96 [44] | apx. weight iron lb [kg] | 37 [17] | 53 [24] | 68 [31] | 84 [38] | 99 [45] |

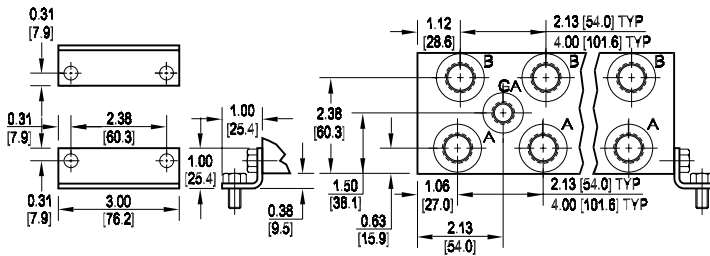
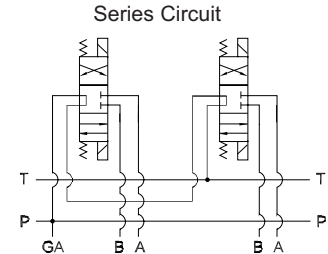
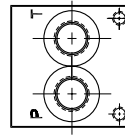
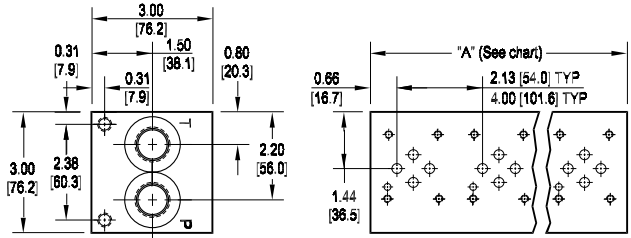
Specifications, descriptions, and dimensional data are subject to correction or change without notice or incurring obligation. Download latest catalog page revisions at www.damanifolds.com.

Ordering Information

| Material | Valve Pattern | Circuit | No. of Stations | Valve Spacing | Port Threads | | | | | | | | | | | | | | | | | | | | | | | | | | | | | | | | | | | | | | | | | | | | | | | | | | | | | | | | | | | | | | | | | | | |
|--|---|---------|-----------------|--|--------------|--|--|---------------|--|------------|---|---|---------|--|------------|--|--|-----------------|--|----------|--|----------------|-------------------------------|----------------|-------------------------------|--------------|--|----------------|-------------------------------|----------------|-------------------------------|---|---------------|--|----------|----------------------|----------|-----------------------|---|--------------|--|--|--|--|-------|-------|----|----------|---------------------|------|------|------|----------|-----------------|-----|-----|----|----------|-----------------|------|------|------|----------|----------------|-----|-----|-----|----------|--------------|------|------|------|
| <table border="1" style="width: 100%;"> <thead> <tr> <th colspan="2">Material</th> </tr> </thead> <tbody> <tr> <td>A</td> <td>Aluminum - 6061-T6 3000† psi • 20.7 MPa</td> </tr> <tr> <td>D</td> <td>Ductile Iron - D4512 5000† psi • 34.5 MPa</td> </tr> </tbody> </table> <p>† Working pressure should be considered in accordance with ISO 4413 to determine appropriate material type.</p> | Material | | A | Aluminum - 6061-T6 3000† psi • 20.7 MPa | D | Ductile Iron - D4512 5000† psi • 34.5 MPa | <table border="1" style="width: 100%;"> <thead> <tr> <th colspan="2">Valve Pattern</th> </tr> </thead> <tbody> <tr> <td>D03</td> <td>ISO 4401-03-02 NFPA T3.5.1-D03 See Tech Information</td> </tr> </tbody> </table> | Valve Pattern | | D03 | ISO 4401-03-02 NFPA T3.5.1-D03 See Tech Information | <table border="1" style="width: 100%;"> <thead> <tr> <th colspan="2">Circuit</th> </tr> </thead> <tbody> <tr> <td>HPB</td> <td>Parallel Circuit High Flow Bottom Ported</td> </tr> </tbody> </table> | Circuit | | HPB | Parallel Circuit High Flow Bottom Ported | <table border="1" style="width: 100%;"> <thead> <tr> <th colspan="2">No. of Stations</th> </tr> </thead> <tbody> <tr> <td colspan="2">Aluminum</td> </tr> <tr> <td>01...10</td> <td>Available with spacing code 2</td> </tr> <tr> <td>02...06</td> <td>Available with spacing code 4</td> </tr> <tr> <td colspan="2">Ductile Iron</td> </tr> <tr> <td>01...10</td> <td>Available with spacing code 2</td> </tr> <tr> <td>02...06</td> <td>Available with spacing code 4</td> </tr> </tbody> </table> | No. of Stations | | Aluminum | | 01...10 | Available with spacing code 2 | 02...06 | Available with spacing code 4 | Ductile Iron | | 01...10 | Available with spacing code 2 | 02...06 | Available with spacing code 4 | <table border="1" style="width: 100%;"> <thead> <tr> <th colspan="2">Valve Spacing</th> </tr> </thead> <tbody> <tr> <td>2</td> <td>2.13 inch 54.0 mm</td> </tr> <tr> <td>4</td> <td>4.00 inch 101.6 mm</td> </tr> </tbody> </table> | Valve Spacing | | 2 | 2.13 inch 54.0 mm | 4 | 4.00 inch 101.6 mm | <table border="1" style="width: 100%;"> <thead> <tr> <th colspan="4">Port Threads</th> </tr> <tr> <th></th> <th>P & T</th> <th>A & B</th> <th>G*</th> </tr> </thead> <tbody> <tr> <td>P</td> <td>NPTF • ANSI B1.20.3</td> <td>1.00</td> <td>0.75</td> <td>0.25</td> </tr> <tr> <td>S</td> <td>SAE • ISO 11926</td> <td>-16</td> <td>-12</td> <td>-4</td> </tr> <tr> <td>B</td> <td>BSPP • ISO 1179</td> <td>1.00</td> <td>0.75</td> <td>0.25</td> </tr> <tr> <td>M</td> <td>ISO • ISO 6149</td> <td>M33</td> <td>M27</td> <td>M10</td> </tr> <tr> <td>T</td> <td>BSPT • ISO 7</td> <td>1.00</td> <td>0.75</td> <td>0.25</td> </tr> </tbody> </table> | Port Threads | | | | | P & T | A & B | G* | P | NPTF • ANSI B1.20.3 | 1.00 | 0.75 | 0.25 | S | SAE • ISO 11926 | -16 | -12 | -4 | B | BSPP • ISO 1179 | 1.00 | 0.75 | 0.25 | M | ISO • ISO 6149 | M33 | M27 | M10 | T | BSPT • ISO 7 | 1.00 | 0.75 | 0.25 |
| Material | | | | | | | | | | | | | | | | | | | | | | | | | | | | | | | | | | | | | | | | | | | | | | | | | | | | | | | | | | | | | | | | | | | | | | | | |
| A | Aluminum - 6061-T6 3000† psi • 20.7 MPa | | | | | | | | | | | | | | | | | | | | | | | | | | | | | | | | | | | | | | | | | | | | | | | | | | | | | | | | | | | | | | | | | | | | | | | |
| D | Ductile Iron - D4512 5000† psi • 34.5 MPa | | | | | | | | | | | | | | | | | | | | | | | | | | | | | | | | | | | | | | | | | | | | | | | | | | | | | | | | | | | | | | | | | | | | | | | |
| Valve Pattern | | | | | | | | | | | | | | | | | | | | | | | | | | | | | | | | | | | | | | | | | | | | | | | | | | | | | | | | | | | | | | | | | | | | | | | | |
| D03 | ISO 4401-03-02 NFPA T3.5.1-D03 See Tech Information | | | | | | | | | | | | | | | | | | | | | | | | | | | | | | | | | | | | | | | | | | | | | | | | | | | | | | | | | | | | | | | | | | | | | | | |
| Circuit | | | | | | | | | | | | | | | | | | | | | | | | | | | | | | | | | | | | | | | | | | | | | | | | | | | | | | | | | | | | | | | | | | | | | | | | |
| HPB | Parallel Circuit High Flow Bottom Ported | | | | | | | | | | | | | | | | | | | | | | | | | | | | | | | | | | | | | | | | | | | | | | | | | | | | | | | | | | | | | | | | | | | | | | | |
| No. of Stations | | | | | | | | | | | | | | | | | | | | | | | | | | | | | | | | | | | | | | | | | | | | | | | | | | | | | | | | | | | | | | | | | | | | | | | | |
| Aluminum | | | | | | | | | | | | | | | | | | | | | | | | | | | | | | | | | | | | | | | | | | | | | | | | | | | | | | | | | | | | | | | | | | | | | | | | |
| 01...10 | Available with spacing code 2 | | | | | | | | | | | | | | | | | | | | | | | | | | | | | | | | | | | | | | | | | | | | | | | | | | | | | | | | | | | | | | | | | | | | | | | |
| 02...06 | Available with spacing code 4 | | | | | | | | | | | | | | | | | | | | | | | | | | | | | | | | | | | | | | | | | | | | | | | | | | | | | | | | | | | | | | | | | | | | | | | |
| Ductile Iron | | | | | | | | | | | | | | | | | | | | | | | | | | | | | | | | | | | | | | | | | | | | | | | | | | | | | | | | | | | | | | | | | | | | | | | | |
| 01...10 | Available with spacing code 2 | | | | | | | | | | | | | | | | | | | | | | | | | | | | | | | | | | | | | | | | | | | | | | | | | | | | | | | | | | | | | | | | | | | | | | | |
| 02...06 | Available with spacing code 4 | | | | | | | | | | | | | | | | | | | | | | | | | | | | | | | | | | | | | | | | | | | | | | | | | | | | | | | | | | | | | | | | | | | | | | | |
| Valve Spacing | | | | | | | | | | | | | | | | | | | | | | | | | | | | | | | | | | | | | | | | | | | | | | | | | | | | | | | | | | | | | | | | | | | | | | | | |
| 2 | 2.13 inch 54.0 mm | | | | | | | | | | | | | | | | | | | | | | | | | | | | | | | | | | | | | | | | | | | | | | | | | | | | | | | | | | | | | | | | | | | | | | | |
| 4 | 4.00 inch 101.6 mm | | | | | | | | | | | | | | | | | | | | | | | | | | | | | | | | | | | | | | | | | | | | | | | | | | | | | | | | | | | | | | | | | | | | | | | |
| Port Threads | | | | | | | | | | | | | | | | | | | | | | | | | | | | | | | | | | | | | | | | | | | | | | | | | | | | | | | | | | | | | | | | | | | | | | | | |
| | P & T | A & B | G* | | | | | | | | | | | | | | | | | | | | | | | | | | | | | | | | | | | | | | | | | | | | | | | | | | | | | | | | | | | | | | | | | | | | | |
| P | NPTF • ANSI B1.20.3 | 1.00 | 0.75 | 0.25 | | | | | | | | | | | | | | | | | | | | | | | | | | | | | | | | | | | | | | | | | | | | | | | | | | | | | | | | | | | | | | | | | | | | |
| S | SAE • ISO 11926 | -16 | -12 | -4 | | | | | | | | | | | | | | | | | | | | | | | | | | | | | | | | | | | | | | | | | | | | | | | | | | | | | | | | | | | | | | | | | | | | |
| B | BSPP • ISO 1179 | 1.00 | 0.75 | 0.25 | | | | | | | | | | | | | | | | | | | | | | | | | | | | | | | | | | | | | | | | | | | | | | | | | | | | | | | | | | | | | | | | | | | | |
| M | ISO • ISO 6149 | M33 | M27 | M10 | | | | | | | | | | | | | | | | | | | | | | | | | | | | | | | | | | | | | | | | | | | | | | | | | | | | | | | | | | | | | | | | | | | | |
| T | BSPT • ISO 7 | 1.00 | 0.75 | 0.25 | | | | | | | | | | | | | | | | | | | | | | | | | | | | | | | | | | | | | | | | | | | | | | | | | | | | | | | | | | | | | | | | | | | | |

D03 Series Circuit Manifolds 

D03 Series Circuit Manifold



All mounting hardware is supplied.
See page 62 for itemized list.

| No. of stations | 02 | 03 | 04 | 05 | 06 | 07 | 08 |
|---------------------------------------|-----------------|------------------|------------------|------------------|------------------|------------------|------------------|
| "A" length (code 2 spa.) inch [mm] | 4.25 [108.0] | 6.38 [162.1] | 8.50 [215.9] | 10.63 [270.0] | 12.75 [323.9] | 14.88 [378.0] | 17.00 [431.8] |
| apx. weight alum lb [kg] | 4 [2] | 6 [3] | 8 [4] | 9 [4] | 11 [5] | 12 [5] | 14 [6] |
| apx. weight iron lb [kg] | 9 [4] | 13 [6] | 17 [8] | 23 [10] | 26 [12] | -- | -- |
| "A" length (code 4 spa.) inch [mm] | 6.13 [155.7] | 10.13 [257.3] | 14.13 [358.9] | | | | |
| apx. weight alum lb [kg] | 6 [3] | 9 [4] | 12 [5] | | | | |
| apx. weight iron lb [kg] | 12 [5] | 20 [9] | 28 [13] | | | | |

| Port code | Valve mtg. | Manifold mtg. |
|-----------|------------------------------|---------------------------------|
| P, S | #10-24 UNC x 0.63 [16] DP | 0.31-18 UNC x 0.44 [11.1] DP |
| B, M, T | M5 ISO 6H x 0.63 [16] DP | M8 ISO 6H x 0.44 [11.1] DP |

Note: Both Daman's parallel and series D03 manifolds have pressure and tank lines that run the length of the manifold. Consequently it is commonly assumed that an error was made by marking a parallel manifold incorrectly as a series. Upon closer inspection it can be seen that the valve patterns are indeed connected in series.

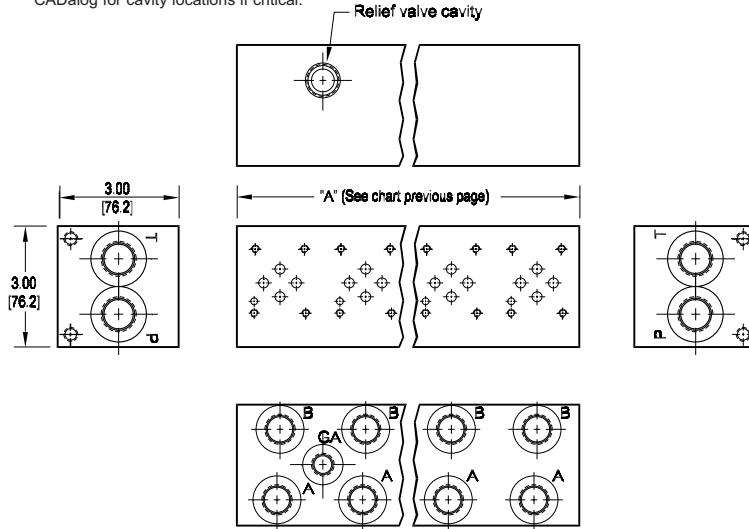
Specifications, descriptions, and dimensional data are subject to correction or change without notice or incurring obligation.
Download latest catalog page revisions at www.damanifolds.com.

Ordering Information

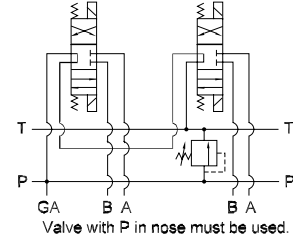
| Material | Valve Pattern | Circuit | No. of Stations | Valve Spacing | Port Threads | / | Options | | | | | | | | | | | | | | | | | | | | | | | | | | | | | | | | | | | | | | | | | | | | | | | | | | | | | | | | | | | | | | | | | | | | |
|---|---|---------|-----------------|--|--------------|--|---|--|--|---------------|--|------------|---|---|---------|--|----------|----------------|--|-----------------|--|----------|--|----------------|-------------------------------|----------------|-------------------------------|--------------|--|----------------|-------------------------------|----------------|-------------------------------|---|---------------|--|----------|----------------------|----------|-----------------------|--|--------------|--|--|--|----------|---------------------|------|------|------|----------|-----------------|-----|----|----|----------|-----------------|------|------|------|----------|----------------|-----|-----|------|----------|--------------|------|------|------|--|---------|--|---|--|
| <table border="1" style="width: 100%;"> <thead> <tr> <th colspan="2">Material</th> </tr> </thead> <tbody> <tr> <td>A</td> <td>Aluminum - 6061-T6 3000† psi • 20.7 MPa</td> </tr> <tr> <td>D</td> <td>Ductile Iron - D4512 5000† psi • 34.5 MPa</td> </tr> <tr> <td colspan="2">† Working pressure should be considered in accordance with ISO 4413 to determine appropriate material type.</td> </tr> </tbody> </table> | Material | | A | Aluminum - 6061-T6 3000† psi • 20.7 MPa | D | Ductile Iron - D4512 5000† psi • 34.5 MPa | † Working pressure should be considered in accordance with ISO 4413 to determine appropriate material type. | | <table border="1" style="width: 100%;"> <thead> <tr> <th colspan="2">Valve Pattern</th> </tr> </thead> <tbody> <tr> <td>D03</td> <td>ISO 4401-03-02 NFPA T3.5.1-D03 See Tech Information</td> </tr> </tbody> </table> | Valve Pattern | | D03 | ISO 4401-03-02 NFPA T3.5.1-D03 See Tech Information | <table border="1" style="width: 100%;"> <thead> <tr> <th colspan="2">Circuit</th> </tr> </thead> <tbody> <tr> <td>S</td> <td>Series Circuit</td> </tr> </tbody> </table> | Circuit | | S | Series Circuit | <table border="1" style="width: 100%;"> <thead> <tr> <th colspan="2">No. of Stations</th> </tr> </thead> <tbody> <tr> <td colspan="2">Aluminum</td> </tr> <tr> <td>02...08</td> <td>Available with spacing code 2</td> </tr> <tr> <td>02...04</td> <td>Available with spacing code 4</td> </tr> <tr> <td colspan="2">Ductile Iron</td> </tr> <tr> <td>02...06</td> <td>Available with spacing code 2</td> </tr> <tr> <td>02...04</td> <td>Available with spacing code 4</td> </tr> </tbody> </table> | No. of Stations | | Aluminum | | 02...08 | Available with spacing code 2 | 02...04 | Available with spacing code 4 | Ductile Iron | | 02...06 | Available with spacing code 2 | 02...04 | Available with spacing code 4 | <table border="1" style="width: 100%;"> <thead> <tr> <th colspan="2">Valve Spacing</th> </tr> </thead> <tbody> <tr> <td>2</td> <td>2.13 inch 38.1 mm</td> </tr> <tr> <td>4</td> <td>4.00 inch 101.6 mm</td> </tr> </tbody> </table> | Valve Spacing | | 2 | 2.13 inch 38.1 mm | 4 | 4.00 inch 101.6 mm | <table border="1" style="width: 100%;"> <thead> <tr> <th colspan="4">Port Threads</th> </tr> </thead> <tbody> <tr> <td>P</td> <td>NPTF • ANSI B1.20.3</td> <td>0.50</td> <td>0.38</td> <td>0.25</td> </tr> <tr> <td>S</td> <td>SAE • ISO 11926</td> <td>-10</td> <td>-8</td> <td>-6</td> </tr> <tr> <td>B</td> <td>BSPP • ISO 1179</td> <td>0.50</td> <td>0.38</td> <td>none</td> </tr> <tr> <td>M</td> <td>ISO • ISO 6149</td> <td>M22</td> <td>M18</td> <td>none</td> </tr> <tr> <td>T</td> <td>BSPT • ISO 7</td> <td>0.50</td> <td>0.38</td> <td>none</td> </tr> </tbody> </table> | Port Threads | | | | P | NPTF • ANSI B1.20.3 | 0.50 | 0.38 | 0.25 | S | SAE • ISO 11926 | -10 | -8 | -6 | B | BSPP • ISO 1179 | 0.50 | 0.38 | none | M | ISO • ISO 6149 | M22 | M18 | none | T | BSPT • ISO 7 | 0.50 | 0.38 | none | <table border="1" style="width: 100%;"> <thead> <tr> <th colspan="2">Options</th> </tr> </thead> <tbody> <tr> <td colspan="2">See next page for available options and ordering codes.</td> </tr> </tbody> </table> | Options | | See next page for available options and ordering codes. | |
| Material | | | | | | | | | | | | | | | | | | | | | | | | | | | | | | | | | | | | | | | | | | | | | | | | | | | | | | | | | | | | | | | | | | | | | | | | | | | |
| A | Aluminum - 6061-T6 3000† psi • 20.7 MPa | | | | | | | | | | | | | | | | | | | | | | | | | | | | | | | | | | | | | | | | | | | | | | | | | | | | | | | | | | | | | | | | | | | | | | | | | | |
| D | Ductile Iron - D4512 5000† psi • 34.5 MPa | | | | | | | | | | | | | | | | | | | | | | | | | | | | | | | | | | | | | | | | | | | | | | | | | | | | | | | | | | | | | | | | | | | | | | | | | | |
| † Working pressure should be considered in accordance with ISO 4413 to determine appropriate material type. | | | | | | | | | | | | | | | | | | | | | | | | | | | | | | | | | | | | | | | | | | | | | | | | | | | | | | | | | | | | | | | | | | | | | | | | | | | |
| Valve Pattern | | | | | | | | | | | | | | | | | | | | | | | | | | | | | | | | | | | | | | | | | | | | | | | | | | | | | | | | | | | | | | | | | | | | | | | | | | | |
| D03 | ISO 4401-03-02 NFPA T3.5.1-D03 See Tech Information | | | | | | | | | | | | | | | | | | | | | | | | | | | | | | | | | | | | | | | | | | | | | | | | | | | | | | | | | | | | | | | | | | | | | | | | | | |
| Circuit | | | | | | | | | | | | | | | | | | | | | | | | | | | | | | | | | | | | | | | | | | | | | | | | | | | | | | | | | | | | | | | | | | | | | | | | | | | |
| S | Series Circuit | | | | | | | | | | | | | | | | | | | | | | | | | | | | | | | | | | | | | | | | | | | | | | | | | | | | | | | | | | | | | | | | | | | | | | | | | | |
| No. of Stations | | | | | | | | | | | | | | | | | | | | | | | | | | | | | | | | | | | | | | | | | | | | | | | | | | | | | | | | | | | | | | | | | | | | | | | | | | | |
| Aluminum | | | | | | | | | | | | | | | | | | | | | | | | | | | | | | | | | | | | | | | | | | | | | | | | | | | | | | | | | | | | | | | | | | | | | | | | | | | |
| 02...08 | Available with spacing code 2 | | | | | | | | | | | | | | | | | | | | | | | | | | | | | | | | | | | | | | | | | | | | | | | | | | | | | | | | | | | | | | | | | | | | | | | | | | |
| 02...04 | Available with spacing code 4 | | | | | | | | | | | | | | | | | | | | | | | | | | | | | | | | | | | | | | | | | | | | | | | | | | | | | | | | | | | | | | | | | | | | | | | | | | |
| Ductile Iron | | | | | | | | | | | | | | | | | | | | | | | | | | | | | | | | | | | | | | | | | | | | | | | | | | | | | | | | | | | | | | | | | | | | | | | | | | | |
| 02...06 | Available with spacing code 2 | | | | | | | | | | | | | | | | | | | | | | | | | | | | | | | | | | | | | | | | | | | | | | | | | | | | | | | | | | | | | | | | | | | | | | | | | | |
| 02...04 | Available with spacing code 4 | | | | | | | | | | | | | | | | | | | | | | | | | | | | | | | | | | | | | | | | | | | | | | | | | | | | | | | | | | | | | | | | | | | | | | | | | | |
| Valve Spacing | | | | | | | | | | | | | | | | | | | | | | | | | | | | | | | | | | | | | | | | | | | | | | | | | | | | | | | | | | | | | | | | | | | | | | | | | | | |
| 2 | 2.13 inch 38.1 mm | | | | | | | | | | | | | | | | | | | | | | | | | | | | | | | | | | | | | | | | | | | | | | | | | | | | | | | | | | | | | | | | | | | | | | | | | | |
| 4 | 4.00 inch 101.6 mm | | | | | | | | | | | | | | | | | | | | | | | | | | | | | | | | | | | | | | | | | | | | | | | | | | | | | | | | | | | | | | | | | | | | | | | | | | |
| Port Threads | | | | | | | | | | | | | | | | | | | | | | | | | | | | | | | | | | | | | | | | | | | | | | | | | | | | | | | | | | | | | | | | | | | | | | | | | | | |
| P | NPTF • ANSI B1.20.3 | 0.50 | 0.38 | 0.25 | | | | | | | | | | | | | | | | | | | | | | | | | | | | | | | | | | | | | | | | | | | | | | | | | | | | | | | | | | | | | | | | | | | | | | | |
| S | SAE • ISO 11926 | -10 | -8 | -6 | | | | | | | | | | | | | | | | | | | | | | | | | | | | | | | | | | | | | | | | | | | | | | | | | | | | | | | | | | | | | | | | | | | | | | | |
| B | BSPP • ISO 1179 | 0.50 | 0.38 | none | | | | | | | | | | | | | | | | | | | | | | | | | | | | | | | | | | | | | | | | | | | | | | | | | | | | | | | | | | | | | | | | | | | | | | | |
| M | ISO • ISO 6149 | M22 | M18 | none | | | | | | | | | | | | | | | | | | | | | | | | | | | | | | | | | | | | | | | | | | | | | | | | | | | | | | | | | | | | | | | | | | | | | | | |
| T | BSPT • ISO 7 | 0.50 | 0.38 | none | | | | | | | | | | | | | | | | | | | | | | | | | | | | | | | | | | | | | | | | | | | | | | | | | | | | | | | | | | | | | | | | | | | | | | | |
| Options | | | | | | | | | | | | | | | | | | | | | | | | | | | | | | | | | | | | | | | | | | | | | | | | | | | | | | | | | | | | | | | | | | | | | | | | | | | |
| See next page for available options and ordering codes. | | | | | | | | | | | | | | | | | | | | | | | | | | | | | | | | | | | | | | | | | | | | | | | | | | | | | | | | | | | | | | | | | | | | | | | | | | | |

Options - D03 Series Manifold

Contact Daman or consult web
CADalog for cavity locations if critical.



Series Circuit with Relief

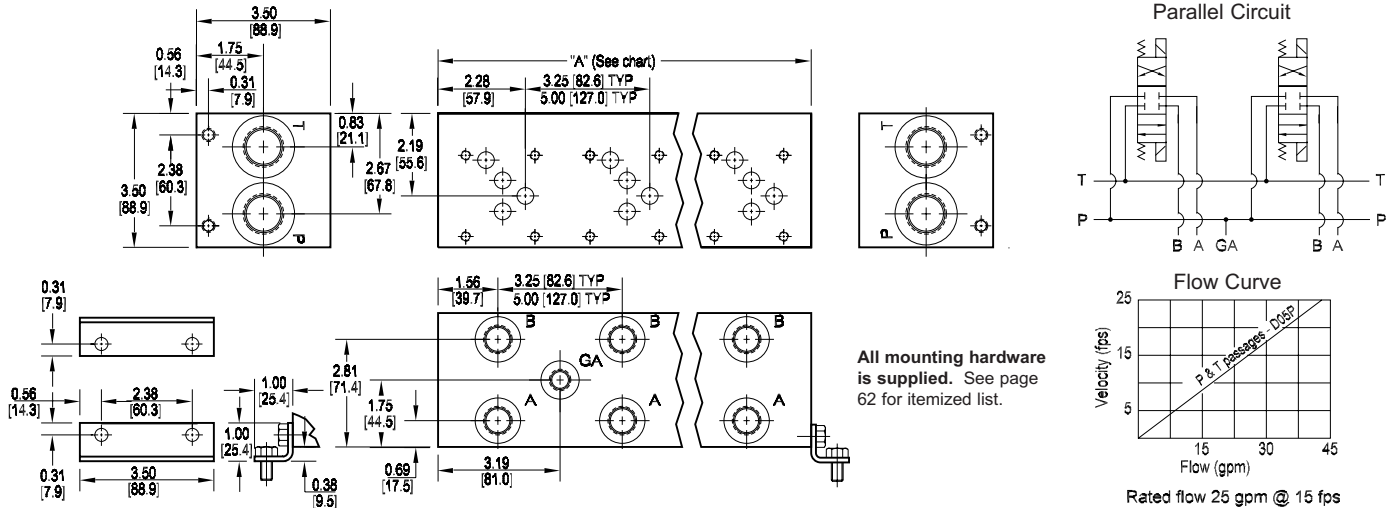


Ordering Information



| Relief Cavity | |
|-----------------------------|--|
| Omit if relief not required | |
| C | Common cavity C-10-2 (P in nose) |
| S | Sun Cavity T-10A (P in nose) See Tech Info for valves. |

D05 Standard Flow Parallel Manifold



| No. of stations | * 01 | 02 | 03 | 04 | 05 | 06 | 07 | 08 | 09 | 10 | 11 | 12 | 13 | 14 | 15 | 16 | 17 | 18 | 19 | 20 | 21 |
|---------------------------------------|-------------|--------------|---------------|---------------|---------------|---------------|---------------|---------------|----------------|----------------|----------------|----------------|----------------|----------------|----------------|----------------|----------------|----------------|----------------|----------------|----------------|
| "A" length (code 3 spa.) inch [mm] | 3.25 [82.6] | 6.50 [165.1] | 9.75 [247.7] | 13.00 [330.2] | 16.25 [412.8] | 19.50 [495.3] | 22.75 [577.9] | 26.00 [660.4] | 29.25 [743.0] | 32.50 [825.5] | 35.75 [908.1] | 39.00 [990.6] | 42.25 [1073.2] | 45.50 [1155.7] | 48.75 [1238.3] | 52.00 [1320.8] | 55.25 [1403.4] | 58.50 [1485.9] | 61.75 [1568.5] | 65.00 [1651.0] | 68.25 [1733.6] |
| apx. weight alum lb [kg] | 4 [2] | 8 [4] | 11 [5] | 14 [7] | 17 [8] | 21 [10] | 24 [11] | 27 [12] | 30 [14] | 34 [15] | 37 [17] | 41 [19] | 44 [20] | 47 [21] | 51 [23] | 55 [25] | 58 [26] | 61 [28] | 64 [29] | 67 [30] | 71 [32] |
| apx. weight iron lb [kg] | 9 [4] | 17 [8] | 26 [12] | 34 [15] | 43 [20] | 51 [23] | 60 [27] | 68 [31] | 77 [35] | 85 [39] | 94 [43] | 102 [46] | -- | -- | -- | -- | -- | -- | -- | -- | -- |
| "A" length (code 5 spa.) inch [mm] | -- | 8.25 [209.6] | 13.25 [336.6] | 18.25 [463.6] | 23.25 [590.6] | 28.25 [717.6] | 33.25 [844.6] | 38.25 [971.6] | 43.25 [1098.6] | 48.25 [1225.6] | 53.25 [1352.6] | 58.25 [1479.6] | 63.25 [1606.6] | 68.25 [1733.6] | | | | | | | |
| apx. weight alum lb [kg] | -- | 9 [4] | 15 [7] | 20 [9] | 25 [11] | 30 [14] | 35 [16] | 41 [19] | 46 [21] | 50 [23] | 55 [25] | 60 [27] | 65 [29] | 71 [32] | | | | | | | |
| apx. weight iron lb [kg] | -- | 22 [10] | 36 [16] | 49 [22] | 62 [28] | 76 [34] | 89 [40] | 102 [46] | 116 [53] | -- | -- | -- | -- | -- | | | | | | | |

| Port code | Valve mtg. | Manifold mtg. |
|-----------|----------------------------|------------------------------|
| P, S | 0.25-20 UNC x 0.75 [19] DP | 0.31-18 UNC x 0.44 [11.1] DP |
| B, M, T | M6 ISO 6H x 0.75 [19] DP | M8 ISO 6H x 0.44 [11.1] DP |

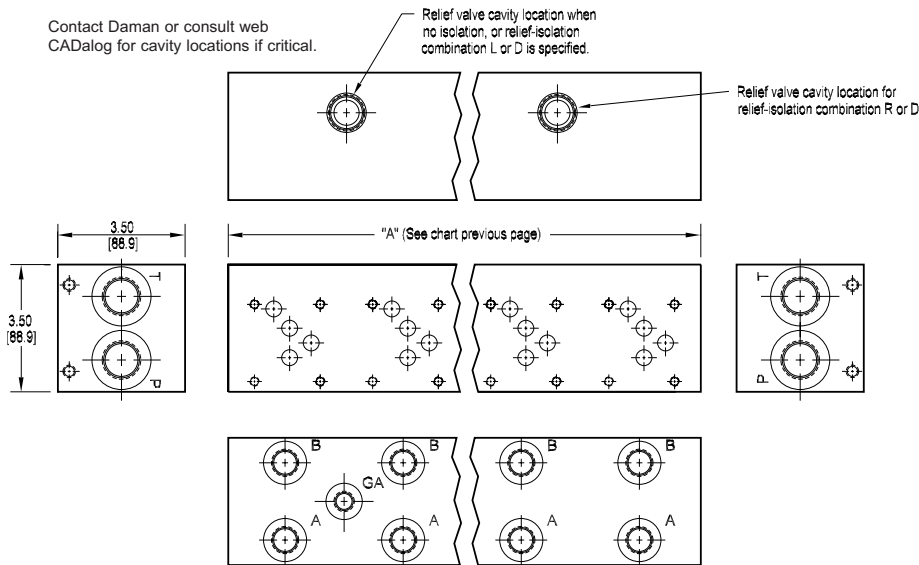
* Length of 01 station with relief cavity is 4.50 [114.3]. Gauge port not available on 01 station.

Specifications, descriptions, and dimensional data are subject to correction or change without notice or incurring obligation. Download latest catalog page revisions at www.damanifolds.com.

Ordering Information

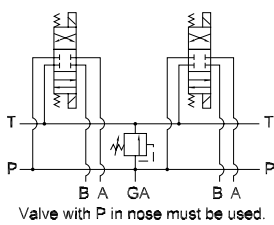
| Material | Valve Pattern | Circuit | No. of Stations | Valve Spacing | Port Threads | Options | | | | | | | | | | | | | | | | | | | | | | | | | | | | | | | | | | | | | | | | | | | | | | |
|---|-------------------------------|---|---|--|---------------|--|---|---------|--|---|-----------------|----------|--|----------------|-------------------------------|----------------|-------------------------------|--------------|--|----------------|-------------------------------|----------------|-------------------------------|--|---------------|-------------------------------|--------------------------------|--|--------------|------------------------------|-----------------------|-----------------------|----------------|--------------------------|-----|----|----|--------------------------|------|------|------|-------------------------|-----|-----|------|-----------------------|------|------|------|---|---------|---|
| <table border="1"> <thead> <tr><th>Material</th></tr> </thead> <tbody> <tr> <td>A Aluminum - 6061-T6 3000† psi • 20.7 MPa</td> </tr> <tr> <td>D Ductile Iron - D4512 5000† psi • 34.5 MPa</td> </tr> </tbody> </table> <p>† Working pressure should be considered in accordance with ISO 4413 to determine appropriate material type.</p> | Material | A Aluminum - 6061-T6 3000† psi • 20.7 MPa | D Ductile Iron - D4512 5000† psi • 34.5 MPa | <table border="1"> <thead> <tr><th>Valve Pattern</th></tr> </thead> <tbody> <tr> <td>D05 ISO 4401-05-04 NFPA T3.5.1-D05 See Tech Information</td> </tr> </tbody> </table> | Valve Pattern | D05 ISO 4401-05-04 NFPA T3.5.1-D05 See Tech Information | <table border="1"> <thead> <tr><th>Circuit</th></tr> </thead> <tbody> <tr> <td>P Parallel Circuit Standard Flow</td> </tr> </tbody> </table> | Circuit | P Parallel Circuit Standard Flow | <table border="1"> <thead> <tr><th>No. of Stations</th></tr> </thead> <tbody> <tr> <td colspan="2">Aluminum</td> </tr> <tr> <td>01...21</td> <td>Available with spacing code 3</td> </tr> <tr> <td>02...14</td> <td>Available with spacing code 5</td> </tr> <tr> <td colspan="2">Ductile Iron</td> </tr> <tr> <td>01...12</td> <td>Available with spacing code 3</td> </tr> <tr> <td>02...09</td> <td>Available with spacing code 5</td> </tr> </tbody> </table> | No. of Stations | Aluminum | | 01...21 | Available with spacing code 3 | 02...14 | Available with spacing code 5 | Ductile Iron | | 01...12 | Available with spacing code 3 | 02...09 | Available with spacing code 5 | <table border="1"> <thead> <tr><th>Valve Spacing</th></tr> </thead> <tbody> <tr> <td>3 3.25 inch 82.6 mm</td> </tr> <tr> <td>5 5.00 inch 127.0 mm</td> </tr> </tbody> </table> | Valve Spacing | 3 3.25 inch 82.6 mm | 5 5.00 inch 127.0 mm | <table border="1"> <thead> <tr><th>Port Threads</th></tr> </thead> <tbody> <tr> <td>P NPTF • ANSI B1.20.3</td> <td>P & T 0.75</td> <td>A & B 0.50</td> <td>GA 0.25</td> </tr> <tr> <td>S SAE • ISO 11926</td> <td>-12</td> <td>-8</td> <td>-6</td> </tr> <tr> <td>B BSPP • ISO 1179</td> <td>0.75</td> <td>0.50</td> <td>none</td> </tr> <tr> <td>M ISO • ISO 6149</td> <td>M27</td> <td>M18</td> <td>none</td> </tr> <tr> <td>T BSPT • ISO 7</td> <td>0.75</td> <td>0.50</td> <td>none</td> </tr> </tbody> </table> | Port Threads | P NPTF • ANSI B1.20.3 | P & T 0.75 | A & B 0.50 | GA 0.25 | S SAE • ISO 11926 | -12 | -8 | -6 | B BSPP • ISO 1179 | 0.75 | 0.50 | none | M ISO • ISO 6149 | M27 | M18 | none | T BSPT • ISO 7 | 0.75 | 0.50 | none | <table border="1"> <thead> <tr><th>Options</th></tr> </thead> <tbody> <tr> <td>See next page for available options and ordering codes.</td> </tr> </tbody> </table> | Options | See next page for available options and ordering codes. |
| Material | | | | | | | | | | | | | | | | | | | | | | | | | | | | | | | | | | | | | | | | | | | | | | | | | | | | |
| A Aluminum - 6061-T6 3000† psi • 20.7 MPa | | | | | | | | | | | | | | | | | | | | | | | | | | | | | | | | | | | | | | | | | | | | | | | | | | | | |
| D Ductile Iron - D4512 5000† psi • 34.5 MPa | | | | | | | | | | | | | | | | | | | | | | | | | | | | | | | | | | | | | | | | | | | | | | | | | | | | |
| Valve Pattern | | | | | | | | | | | | | | | | | | | | | | | | | | | | | | | | | | | | | | | | | | | | | | | | | | | | |
| D05 ISO 4401-05-04 NFPA T3.5.1-D05 See Tech Information | | | | | | | | | | | | | | | | | | | | | | | | | | | | | | | | | | | | | | | | | | | | | | | | | | | | |
| Circuit | | | | | | | | | | | | | | | | | | | | | | | | | | | | | | | | | | | | | | | | | | | | | | | | | | | | |
| P Parallel Circuit Standard Flow | | | | | | | | | | | | | | | | | | | | | | | | | | | | | | | | | | | | | | | | | | | | | | | | | | | | |
| No. of Stations | | | | | | | | | | | | | | | | | | | | | | | | | | | | | | | | | | | | | | | | | | | | | | | | | | | | |
| Aluminum | | | | | | | | | | | | | | | | | | | | | | | | | | | | | | | | | | | | | | | | | | | | | | | | | | | | |
| 01...21 | Available with spacing code 3 | | | | | | | | | | | | | | | | | | | | | | | | | | | | | | | | | | | | | | | | | | | | | | | | | | | |
| 02...14 | Available with spacing code 5 | | | | | | | | | | | | | | | | | | | | | | | | | | | | | | | | | | | | | | | | | | | | | | | | | | | |
| Ductile Iron | | | | | | | | | | | | | | | | | | | | | | | | | | | | | | | | | | | | | | | | | | | | | | | | | | | | |
| 01...12 | Available with spacing code 3 | | | | | | | | | | | | | | | | | | | | | | | | | | | | | | | | | | | | | | | | | | | | | | | | | | | |
| 02...09 | Available with spacing code 5 | | | | | | | | | | | | | | | | | | | | | | | | | | | | | | | | | | | | | | | | | | | | | | | | | | | |
| Valve Spacing | | | | | | | | | | | | | | | | | | | | | | | | | | | | | | | | | | | | | | | | | | | | | | | | | | | | |
| 3 3.25 inch 82.6 mm | | | | | | | | | | | | | | | | | | | | | | | | | | | | | | | | | | | | | | | | | | | | | | | | | | | | |
| 5 5.00 inch 127.0 mm | | | | | | | | | | | | | | | | | | | | | | | | | | | | | | | | | | | | | | | | | | | | | | | | | | | | |
| Port Threads | | | | | | | | | | | | | | | | | | | | | | | | | | | | | | | | | | | | | | | | | | | | | | | | | | | | |
| P NPTF • ANSI B1.20.3 | P & T 0.75 | A & B 0.50 | GA 0.25 | | | | | | | | | | | | | | | | | | | | | | | | | | | | | | | | | | | | | | | | | | | | | | | | | |
| S SAE • ISO 11926 | -12 | -8 | -6 | | | | | | | | | | | | | | | | | | | | | | | | | | | | | | | | | | | | | | | | | | | | | | | | | |
| B BSPP • ISO 1179 | 0.75 | 0.50 | none | | | | | | | | | | | | | | | | | | | | | | | | | | | | | | | | | | | | | | | | | | | | | | | | | |
| M ISO • ISO 6149 | M27 | M18 | none | | | | | | | | | | | | | | | | | | | | | | | | | | | | | | | | | | | | | | | | | | | | | | | | | |
| T BSPT • ISO 7 | 0.75 | 0.50 | none | | | | | | | | | | | | | | | | | | | | | | | | | | | | | | | | | | | | | | | | | | | | | | | | | |
| Options | | | | | | | | | | | | | | | | | | | | | | | | | | | | | | | | | | | | | | | | | | | | | | | | | | | | |
| See next page for available options and ordering codes. | | | | | | | | | | | | | | | | | | | | | | | | | | | | | | | | | | | | | | | | | | | | | | | | | | | | |

Options - D05 Standard Flow Parallel Manifold

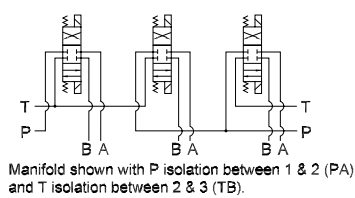


| ISOLATIONS | | |
|--|----------------------------------|--------------------------|
| Daman isolation options allow a manifold to have two independent pressure and/or tank ports. Isolations are drilled rather than plugged to ensure a leakproof and failproof isolation. | | |
| Ordering code letter: | * Isolation is between stations: | Available # of stations: |
| 3.25 [82.6] spacing | | |
| A | 01 & 02 | 02-10 |
| B | 02 & 03 | 03-11 |
| C | 03 & 04 | 04-12 |
| D | 04 & 05 | 05-13 |
| E | 05 & 06 | 06-14 |
| F | 06 & 07 | 07-15 |
| G | 07 & 08 | 08-16 |
| H | 08 & 09 | 09-17 |
| J | 09 & 10 | 10-18 |
| 5.00 [127.0] spacing | | |
| A | 01 & 02 | 02-07 |
| B | 02 & 03 | 03-08 |
| C | 03 & 04 | 04-09 |
| D | 04 & 05 | 05-10 |
| E | 05 & 06 | 06-11 |
| F | 06 & 07 | 07-12 |

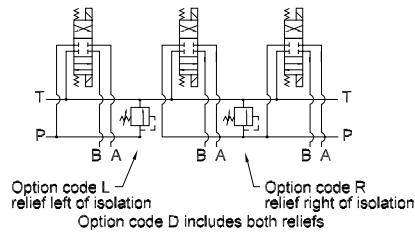
Parallel Circuit with Relief



Parallel Circuit with Isolations



Relief / Isolation Combination

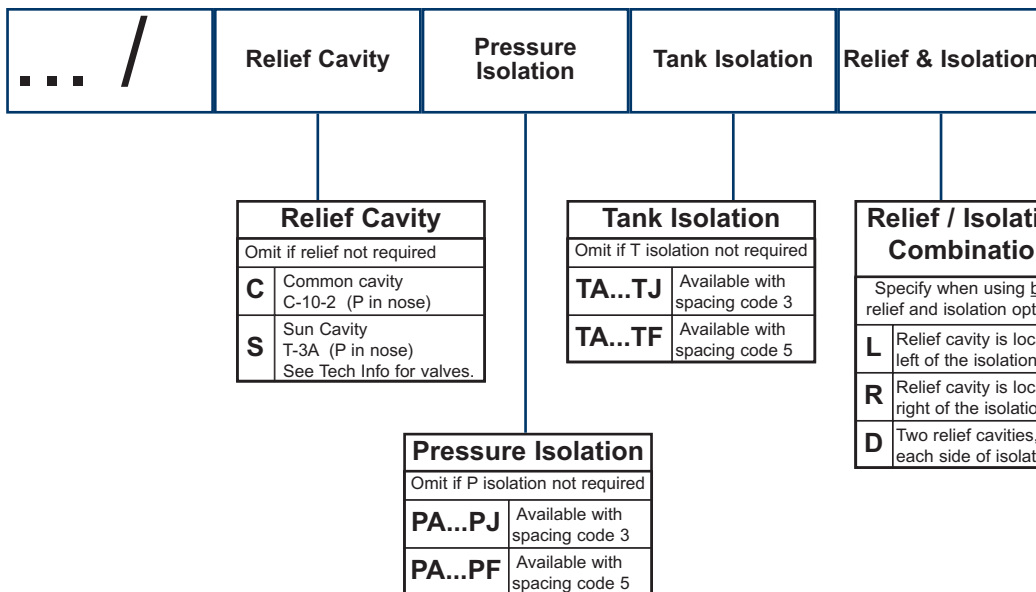


* Stations are numbered left to right.

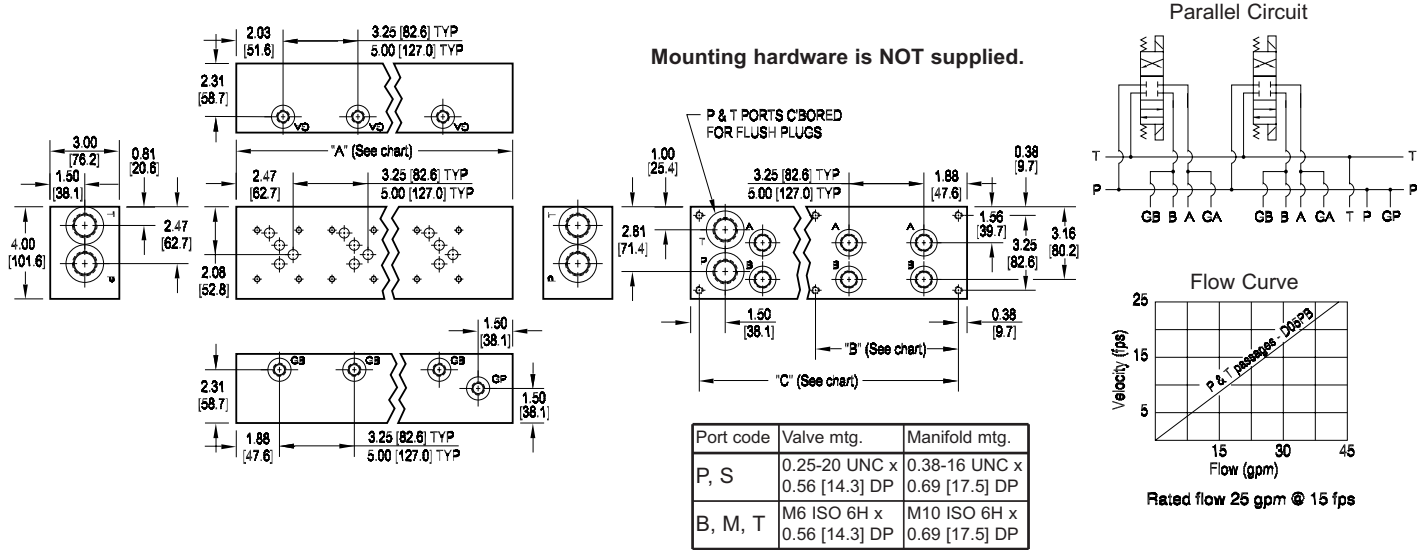
NOTES:

- 1) The GA port is not available on a (1) station manifold.
- 2) The GA port is not available when a pressure isolation is located between stations 1 & 2.
- 3) Some combinations of relief cavities and isolations are not possible. Consult factory to determine availability.

Ordering Information



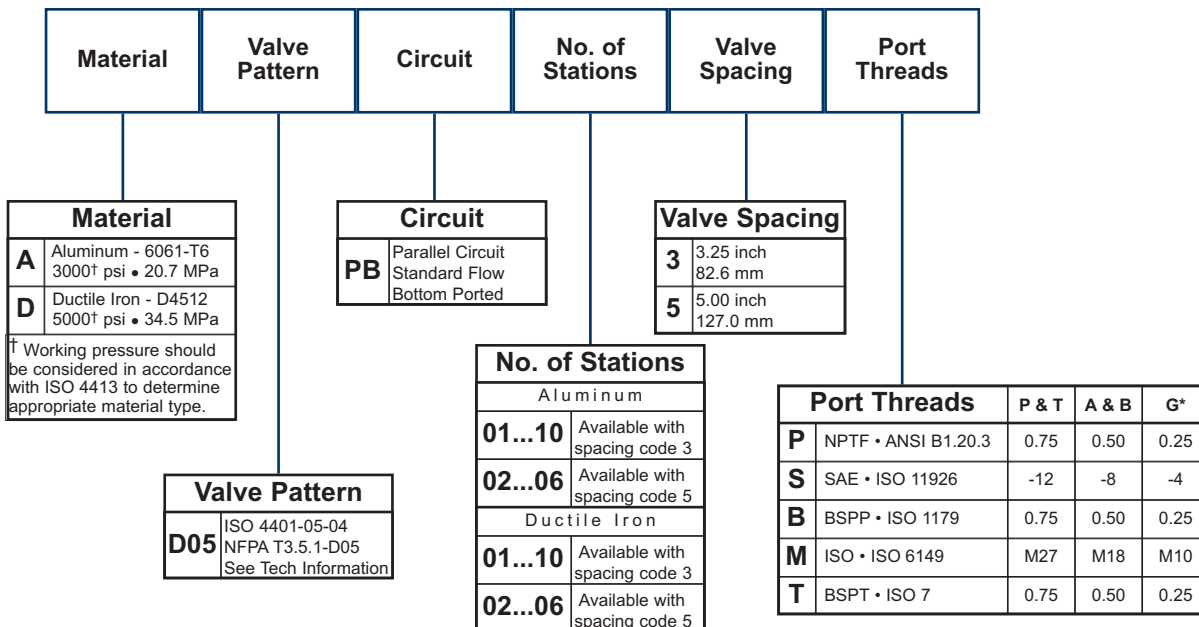
D05 Standard Flow Bottom Ported Manifold



| No. of stations | 01 | 02 | 03 | 04 | 05 | 06 | 07 | 08 | 09 | 10 | No. of stations | 02 | 03 | 04 | 05 | 06 |
|---------------------------------------|--------------|--------------|---------------|---------------|---------------|---------------|---------------|---------------|---------------|---------------|---------------------------------------|---------------|---------------|---------------|---------------|---------------|
| "A" length (code 3 spa.) inch [mm] | 5.00 [127.0] | 8.25 [209.6] | 11.50 [292.1] | 14.75 [374.7] | 18.00 [457.2] | 21.25 [539.8] | 24.50 [622.3] | 27.75 [704.9] | 31.00 [787.4] | 34.25 [870.0] | "A" length (code 5 spa.) inch [mm] | 10.00 [254.0] | 15.00 [381.0] | 20.00 [508.0] | 25.00 [635.0] | 30.00 [762.0] |
| "B" dim (code 3 spa.) inch [mm] | -- | -- | -- | -- | -- | 9.63 [244.5] | 9.63 [244.5] | 12.88 [327.0] | 12.88 [327.0] | 16.13 [409.6] | "B" dim (code 5 spa.) inch [mm] | -- | -- | 9.00 [228.6] | 14.00 [355.6] | 14.00 [355.6] |
| "C" dim (code 3 spa.) inch [mm] | 4.25 [108.0] | 7.50 [190.5] | 10.75 [273.1] | 14.00 [355.6] | 17.25 [438.2] | 20.50 [520.7] | 23.75 [603.3] | 27.00 [688.8] | 30.25 [768.4] | 33.50 [850.9] | "C" dim (code 5 spa.) inch [mm] | 9.25 [235.0] | 14.25 [362.0] | 19.25 [489.0] | 24.25 [616.0] | 29.25 [743.0] |
| apx. weight alum lb [kg] | 6 [3] | 10 [4] | 14 [6] | 18 [8] | 22 [10] | 26 [12] | 29 [13] | 33 [15] | 37 [17] | 41 [19] | apx. weight alum lb [kg] | 12 [5] | 18 [8] | 24 [11] | 30 [14] | 36 [16] |
| apx. weight iron lb [kg] | 16 [7] | 26 [12] | 36 [16] | 46 [21] | 56 [25] | 66 [30] | 76 [35] | 87 [39] | 97 [44] | 107 [48] | apx. weight iron lb [kg] | 31 [14] | 47 [21] | 62 [28] | 78 [35] | 94 [42] |

Specifications, descriptions, and dimensional data are subject to correction or change without notice or incurring obligation. Download latest catalog page revisions at www.damanifolds.com.

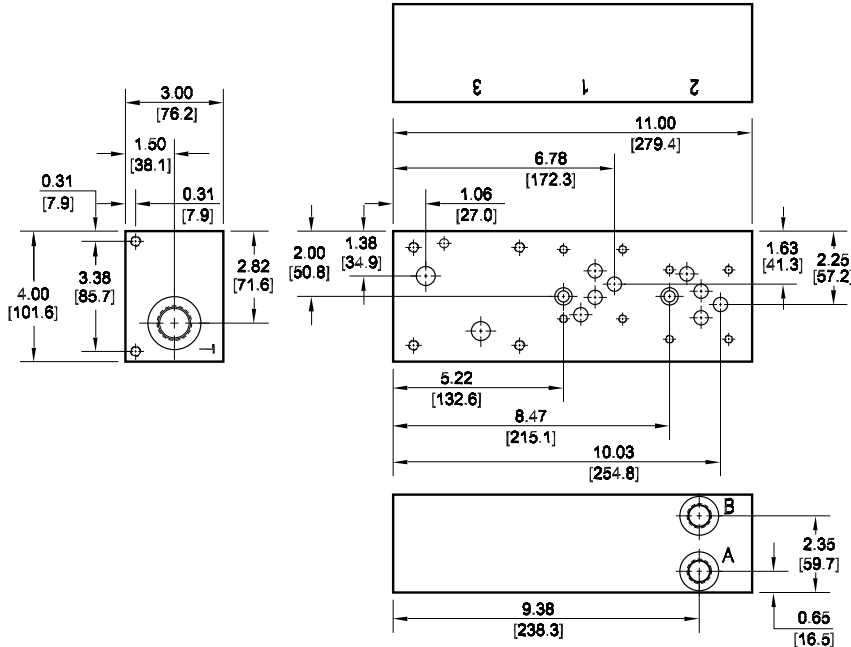
Ordering Information



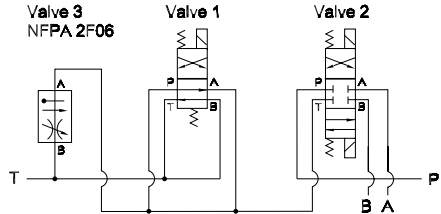
D05 Tank Line Feed Circuit Manifold

D05 Directional Valves 2F06 Flow Control Valve

Valve mtg: D05: UNC 0.25-20 x 0.50 DP
2F06: UNC 0.31-18 x 0.63 DP



"Meter Out" Tank Feed Circuit



Manifold Mounting:
Manifold bracket mounting kit is supplied. See page 62 for itemized mounting kit list.
Two SHCS clearance holes are provided for optional 5/16 (M8) SHCS mounting. Screws are user provided; minimum 3.00 in [75mm] long GR8 SHCS should be used.

Specifications, descriptions, and dimensional data are subject to correction or change without notice or incurring obligation. Download latest catalog page revisions at www.damanifolds.com.

Ordering Information

| Material | Valve Pattern | Circuit | Port Threads |
|----------|---------------|---------|--------------|
|----------|---------------|---------|--------------|

| Material | |
|----------|--|
| A | Aluminum - 6061-T6 3000† psi • 20.7 MPa |
| D | Ductile Iron - D4512 5000† psi • 34.5 MPa |

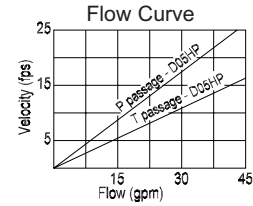
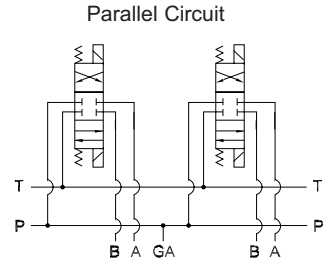
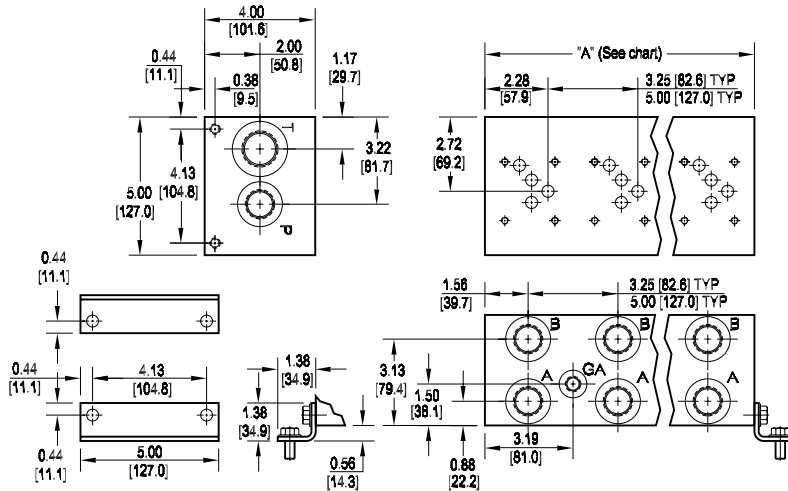
† Working pressure should be considered in accordance with ISO 4413 to determine appropriate material type.

| Valve Pattern | |
|--|--|
| D05 | ISO 4401-05-04 NFA T3.5.1-D05 See Tech Information |
| Flow Control Pattern (REF): 2F06 Pattern ISO 6263-06-05 NFA T3.5.1-2F06 | |

| Circuit | |
|-----------|------------------------|
| TF | Tank Line Feed Circuit |

| Port Threads | | | |
|--------------|---------------------|-------|------|
| | P & T | A & B | |
| P | NPTF • ANSI B1.20.3 | 0.75 | 0.50 |
| S | SAE • ISO 11926 | -12 | -8 |

D05 High Flow Parallel Circuit Manifold



All mounting hardware is supplied. See page 62 for itemized list.

Rated flow Pressure 25 gpm @ 15 fps
Rated flow Tank 41 gpm @ 15 fps

| No. of stations | * 01 | 02 | 03 | 04 | 05 | 06 | 07 | 08 | 09 | 10 | 11 | 12 | 13 | 14 | 15 | 16 | 17 | 18 | 19 | 20 | 21 |
|------------------------------------|-------------|--------------|---------------|---------------|---------------|---------------|---------------|---------------|----------------|----------------|----------------|----------------|----------------|----------------|----------------|----------------|----------------|----------------|----------------|----------------|----------------|
| "A" length (code 3 spa.) inch [mm] | 3.25 [82.6] | 6.50 [165.1] | 9.75 [247.7] | 13.00 [330.2] | 16.25 [412.8] | 19.50 [495.3] | 22.75 [577.9] | 26.00 [660.4] | 29.25 [743.0] | 32.50 [825.5] | 35.75 [908.1] | 39.00 [990.6] | 42.25 [1073.2] | 45.50 [1155.7] | 48.75 [1238.3] | 52.00 [1320.8] | 55.25 [1403.4] | 58.50 [1485.9] | 61.75 [1568.5] | 65.00 [1651.0] | 68.25 [1733.6] |
| apx. weight alum lb [kg] | 7 [3] | 12 [5] | 17 [8] | 22 [10] | 27 [12] | 33 [15] | 38 [17] | 43 [20] | 48 [22] | 53 [24] | 58 [26] | 63 [29] | 68 [31] | 74 [34] | 79 [36] | 84 [38] | 89 [40] | 94 [43] | 99 [45] | 104 [47] | 110 [50] |
| apx. weight iron lb [kg] | 19 [9] | 38 [17] | 57 [26] | 75 [34] | 85 [39] | 113 [51] | 132 [60] | 151 [69] | 170 [77] | 189 [86] | 208 [94] | 226 [103] | -- | -- | -- | -- | -- | -- | -- | -- | -- |
| "A" length (code 5 spa.) inch [mm] | -- | 8.25 [209.6] | 13.25 [336.6] | 18.25 [463.6] | 23.25 [590.6] | 28.25 [717.6] | 33.25 [844.6] | 38.25 [971.6] | 43.25 [1098.6] | 48.25 [1225.6] | 53.25 [1352.6] | 58.25 [1479.6] | 63.25 [1606.6] | 68.25 [1733.6] | | | | | | | |
| apx. weight alum lb [kg] | -- | 18 [8] | 26 [12] | 33 [15] | 41 [19] | 48 [22] | 56 [25] | 63 [29] | 71 [32] | 79 [36] | 87 [39] | 95 [43] | 103 [47] | 111 [50] | | | | | | | |
| apx. weight iron lb [kg] | -- | 48 [22] | 77 [35] | 106 [48] | 135 [61] | 164 [74] | 188 [85] | 222 [101] | 251 [114] | -- | -- | -- | -- | -- | | | | | | | |

| Port code | Valve mtg. | Manifold mtg. |
|-----------|----------------------------|----------------------------|
| P, S | 0.25-20 UNC x 0.75 [19] DP | 0.38-16 UNC x 0.75 [19] DP |
| B, M, T | M6 ISO 6H x 0.75 [19] DP | M10 ISO 6H x 0.75 [19] DP |

* Length of 01 station with relief cavity is 4.50 [114.3]. Gauge port not available on 01 station.

Specifications, descriptions, and dimensional data are subject to correction or change without notice or incurring obligation. Download latest catalog page revisions at www.damanifolds.com.

Ordering Information

| Material | Valve Pattern | Circuit | No. of Stations | Valve Spacing | Port Threads | / | Options |
|----------|---------------|---------|-----------------|---------------|--------------|---|---------|
|----------|---------------|---------|-----------------|---------------|--------------|---|---------|

| Material | |
|----------|--|
| A | Aluminum - 6061-T6 3000† psi • 20.7 MPa |
| D | Ductile Iron - D4512 5000† psi • 34.5 MPa |

† Working pressure should be considered in accordance with ISO 4413 to determine appropriate material type.

| Circuit | |
|-----------|-------------------------------|
| HP | Parallel Circuit High Flow |

| Valve Spacing | |
|---------------|-----------------------|
| 3 | 3.25 inch 82.6 mm |
| 5 | 5.00 inch 127.0 mm |

| Options | |
|---|--|
| See next page for available options and ordering codes. | |

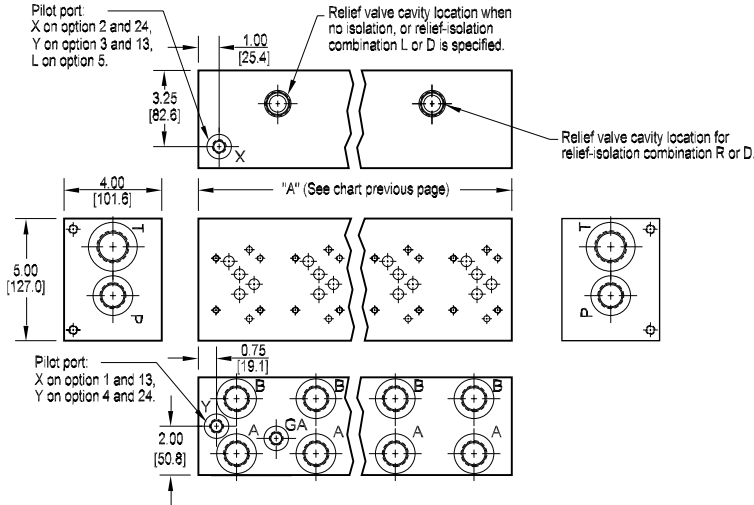
| Valve Pattern | |
|---------------|---|
| D05 | ISO 4401-05-04 NFPA T3.5.1-D05 See Tech Information |

| No. of Stations | |
|-----------------|-------------------------------|
| Aluminum | |
| 01...21 | Available with spacing code 3 |
| 02...14 | Available with spacing code 5 |
| Ductile Iron | |
| 01...12 | Available with spacing code 3 |
| 02...09 | Available with spacing code 5 |

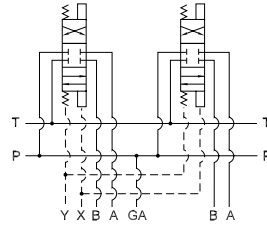
| Port Threads | P,A,B | T | X,Y,L optional | GA |
|--------------|---------------------|------|----------------|-----------|
| P | NPTF • ANSI B1.20.3 | 0.75 | 1.00 | 0.38 0.25 |
| S | SAE • ISO 11926 | -12 | -16 | -6 -6 |
| B | BSPP • ISO 1179 | 0.75 | 1.00 | 0.38 none |
| M | ISO • ISO 6149 | M27 | M33 | M14 none |
| T | BSPT • ISO 7 | 0.75 | 1.00 | 0.38 none |

Options - D05 High Flow Parallel Manifold

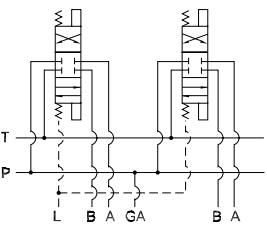
Pilot port location dimensions vary on (1) station manifolds and manifolds with isolations. Contact Daman or consult web CADalog for cavity locations if critical.



Parallel Circuit with X & Y



Parallel Circuit with L



ISOLATIONS

Daman isolation options allow a manifold to have two independent pressure and/or tank ports. Isolations are drilled rather than plugged to ensure a leakproof and failproof isolation.

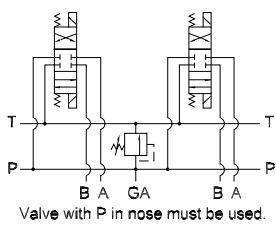
| Ordering code letter: | * Isolation is between stations: | Available # of stations: |
|-----------------------|----------------------------------|--------------------------|
| 3.25 [82.6] spacing | | |
| A | 01 & 02 | 02-10 |
| B | 02 & 03 | 03-11 |
| C | 03 & 04 | 04-12 |
| D | 04 & 05 | 05-13 |
| E | 05 & 06 | 06-14 |
| F | 06 & 07 | 07-15 |
| G | 07 & 08 | 08-16 |
| H | 08 & 09 | 09-17 |
| J | 09 & 10 | 10-18 |
| 5.00 [127.0] spacing | | |
| A | 01 & 02 | 02-07 |
| B | 02 & 03 | 03-08 |
| C | 03 & 04 | 04-09 |
| D | 04 & 05 | 05-10 |
| E | 05 & 06 | 06-11 |
| F | 06 & 07 | 07-12 |

* Stations are numbered left to right.

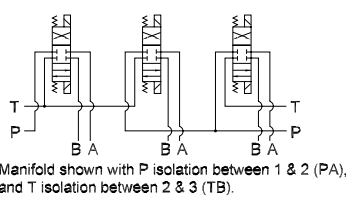
NOTES:

- 1) The GA port is not available on a (1) station manifold.
- 2) The GA port is not available when a pressure isolation is located between stations 1 & 2.
- 3) Some combinations of relief cavities and isolations are not possible. Consult factory to determine availability.

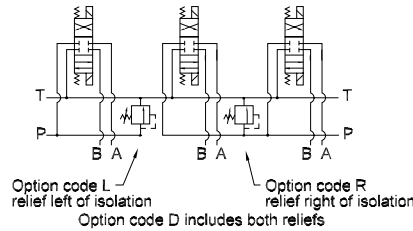
Parallel Circuit with Relief



Parallel Circuit with Isolations



Relief / Isolation Combination



Ordering Information

| | | | | | |
|-----|-------------|---------------|--------------------|----------------|--------------------|
| ... | Pilot Ports | Relief Cavity | Pressure Isolation | Tank Isolation | Relief & Isolation |
|-----|-------------|---------------|--------------------|----------------|--------------------|

| Pilot Ports | |
|----------------------------------|--|
| Omit if pilot ports not required | |
| 1 | X port (USA std) NFFPA T3.5.1-D05 Alt-B |
| 3 | Y port (USA std) NFFPA T3.5.1-D05 Alt-B |
| 13 | X & Y ports (USA std) NFFPA T3.5.1-D05 Alt-B |
| 2 | X port ISO 4401-05-05 NFFPA T3.5.1-D05 Alt-A |
| 4 | Y port ISO 4401-05-05 NFFPA T3.5.1-D05 Alt-A |
| 24 | X & Y ports ISO 4401-05-05 NFFPA T3.5.1-D05 Alt-A |
| 5 | L ports Proportional valves |

Pilot ports available from 01-11 stations (3.25 spacing), 02-07 stations (5.00 spacing)

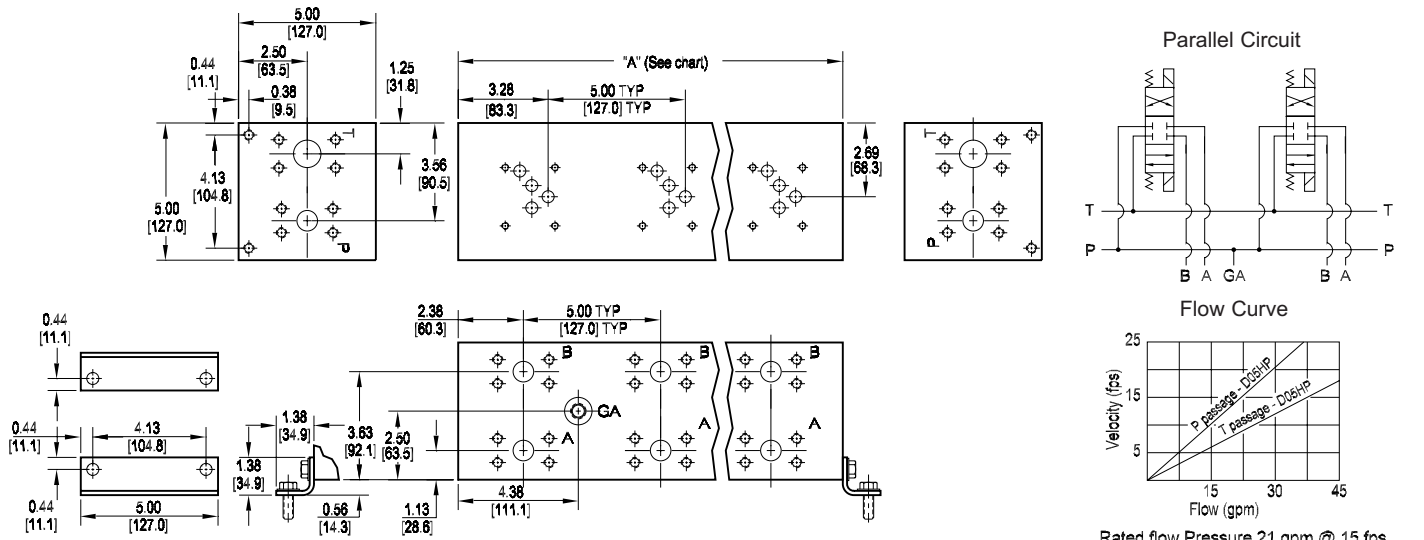
| Relief Cavity | |
|-----------------------------|---|
| Omit if relief not required | |
| C | Common cavity C-10-2 (P in nose) |
| S | Sun Cavity T-3A (P in nose) See Tech Info for valves. |

| Tank Isolation | |
|----------------------------------|-------------------------------|
| Omit if T isolation not required | |
| TA...TJ | Available with spacing code 3 |
| TA...TF | Available with spacing code 5 |

| Pressure Isolation | |
|----------------------------------|-------------------------------|
| Omit if P isolation not required | |
| PA...PJ | Available with spacing code 3 |
| PA...PF | Available with spacing code 5 |

| Relief / Isolation Combination | |
|---|--|
| Specify when using both relief and isolation options. | |
| L | Relief cavity is located left of the isolation. |
| R | Relief cavity is located right of the isolation. |
| D | Two relief cavities, one each side of isolation. |

D05 High Flow Parallel Circuit Manifold - Flange Ports



| No. of stations | * 01 | 02 | 03 | 04 | 05 | 06 | 07 | 08 | 09 |
|-----------------------------|-----------------|------------------|------------------|------------------|------------------|------------------|------------------|-------------------|-------------------|
| "A" length inch [mm] | 5.00 [127.0] | 10.00 [254.0] | 15.00 [381.0] | 20.00 [508.0] | 25.00 [635.0] | 30.00 [762.0] | 35.00 [889.0] | 40.00 [1016.0] | 45.00 [1143.0] |
| apx. weight alum lb [kg] | 13 [5.7] | 25 [11] | 38 [17] | 50 [23] | 63 [28] | 75 [34] | 88 [40] | 100 [45] | 112 [51] |
| apx. weight iron lb [kg] | 34 [15.3] | 68 [31] | 101 [46] | 135 [61] | 169 [77] | 203 [92] | 236 [107] | 270 [123] | -- |

| Port code | Valve mtg. | Manifold mtg. | Flange mtg. | GA Port | Pilot Ports * |
|--------------|-------------------------------|-------------------------------|-----------------------------|-----------------|------------------------|
| F | 0.25-20 UNC x 0.75 [19] DP | 0.38-16 UNC x 0.75 [19] DP | ISO 6162 Type II - Inch | -6 SAE J1926 | -6 SAE J1926 |
| F / M | M6 ISO 6H x 0.75 [19] DP | M10 ISO 6H x 0.75 [19] DP | ISO 6162 Type I - metric | NONE | M14 ISO 6149 |

* Length of 01 station with relief cavity is 5.75 [146.1]. Gauge port not available on 01 station.

* Pilot ports are optional. See options on next page.

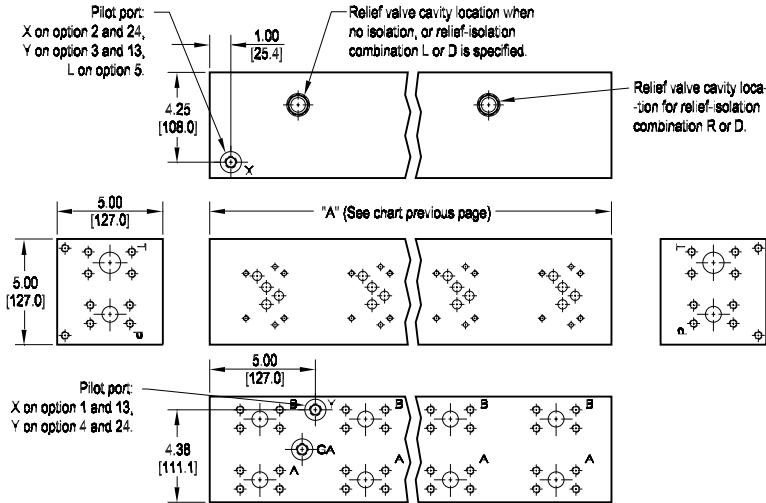
Specifications, descriptions, and dimensional data are subject to correction or change without notice or incurring obligation. Download latest catalog page revisions at www.damanifolds.com.

Ordering Information

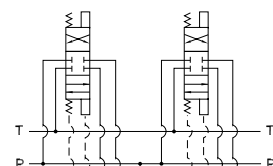
| Material | Valve Pattern | Circuit | No. of Stations | Valve Spacing | Port Threads | Options | | | | | | | | | | | | | | | | | | | | | | | | | | | | | | | | | | | | | | | | | | |
|---|---|-----------------|-----------------|--|--------------|--|---|---------------|--|------------|---|---|---------|--|-----------|-------------------------------|---|-----------------|--|----------|--|----------------|-------------------------------|--------------|--|----------------|-------------------------------|--|---------------|--|----------|-----------------------|--|--------------|--|--|----------|-------|---|-----------------------|--|--|--|-----------------|-----------------|---|---------|---|
| <table border="1" style="width: 100%; border-collapse: collapse;"> <thead> <tr> <th colspan="2">Material</th> </tr> </thead> <tbody> <tr> <td style="text-align: center;">A</td> <td>Aluminum - 6061-T6 3000† psi • 20.7 MPa</td> </tr> <tr> <td style="text-align: center;">D</td> <td>Ductile Iron - D4512 5000† psi • 34.5 MPa</td> </tr> </tbody> </table> <p>† Working pressure should be considered in accordance with ISO 4413 to determine appropriate material type.</p> | Material | | A | Aluminum - 6061-T6 3000† psi • 20.7 MPa | D | Ductile Iron - D4512 5000† psi • 34.5 MPa | <table border="1" style="width: 100%; border-collapse: collapse;"> <thead> <tr> <th colspan="2">Valve Pattern</th> </tr> </thead> <tbody> <tr> <td style="text-align: center;">D05</td> <td>ISO 4401-05-04 NFPA T3.5.1-D05 See Tech Information</td> </tr> </tbody> </table> | Valve Pattern | | D05 | ISO 4401-05-04 NFPA T3.5.1-D05 See Tech Information | <table border="1" style="width: 100%; border-collapse: collapse;"> <thead> <tr> <th colspan="2">Circuit</th> </tr> </thead> <tbody> <tr> <td style="text-align: center;">HP</td> <td>Parallel Circuit High Flow</td> </tr> </tbody> </table> | Circuit | | HP | Parallel Circuit High Flow | <table border="1" style="width: 100%; border-collapse: collapse;"> <thead> <tr> <th colspan="2">No. of Stations</th> </tr> </thead> <tbody> <tr> <td colspan="2" style="text-align: center;">Aluminum</td> </tr> <tr> <td style="text-align: center;">01...09</td> <td>Available with spacing code 5</td> </tr> <tr> <td colspan="2" style="text-align: center;">Ductile Iron</td> </tr> <tr> <td style="text-align: center;">01...08</td> <td>Available with spacing code 5</td> </tr> </tbody> </table> | No. of Stations | | Aluminum | | 01...09 | Available with spacing code 5 | Ductile Iron | | 01...08 | Available with spacing code 5 | <table border="1" style="width: 100%; border-collapse: collapse;"> <thead> <tr> <th colspan="2">Valve Spacing</th> </tr> </thead> <tbody> <tr> <td style="text-align: center;">5</td> <td>5.00 inch 127.0 mm</td> </tr> </tbody> </table> | Valve Spacing | | 5 | 5.00 inch 127.0 mm | <table border="1" style="width: 100%; border-collapse: collapse;"> <thead> <tr> <th colspan="3">Port Threads</th> </tr> </thead> <tbody> <tr> <td style="text-align: center;">F</td> <td style="text-align: center;">P,A,B</td> <td style="text-align: center;">T</td> </tr> <tr> <td colspan="3" style="text-align: center;">CODE 61 4-Bolt Flange</td> </tr> <tr> <td></td> <td style="text-align: center;">0.75 CODE 61</td> <td style="text-align: center;">1.00 CODE 61</td> </tr> </tbody> </table> | Port Threads | | | F | P,A,B | T | CODE 61 4-Bolt Flange | | | | 0.75 CODE 61 | 1.00 CODE 61 | <table border="1" style="width: 100%; border-collapse: collapse;"> <thead> <tr> <th colspan="1">Options</th> </tr> </thead> <tbody> <tr> <td style="text-align: center;">See next page for available options and ordering codes.</td> </tr> </tbody> </table> | Options | See next page for available options and ordering codes. |
| Material | | | | | | | | | | | | | | | | | | | | | | | | | | | | | | | | | | | | | | | | | | | | | | | | |
| A | Aluminum - 6061-T6 3000† psi • 20.7 MPa | | | | | | | | | | | | | | | | | | | | | | | | | | | | | | | | | | | | | | | | | | | | | | | |
| D | Ductile Iron - D4512 5000† psi • 34.5 MPa | | | | | | | | | | | | | | | | | | | | | | | | | | | | | | | | | | | | | | | | | | | | | | | |
| Valve Pattern | | | | | | | | | | | | | | | | | | | | | | | | | | | | | | | | | | | | | | | | | | | | | | | | |
| D05 | ISO 4401-05-04 NFPA T3.5.1-D05 See Tech Information | | | | | | | | | | | | | | | | | | | | | | | | | | | | | | | | | | | | | | | | | | | | | | | |
| Circuit | | | | | | | | | | | | | | | | | | | | | | | | | | | | | | | | | | | | | | | | | | | | | | | | |
| HP | Parallel Circuit High Flow | | | | | | | | | | | | | | | | | | | | | | | | | | | | | | | | | | | | | | | | | | | | | | | |
| No. of Stations | | | | | | | | | | | | | | | | | | | | | | | | | | | | | | | | | | | | | | | | | | | | | | | | |
| Aluminum | | | | | | | | | | | | | | | | | | | | | | | | | | | | | | | | | | | | | | | | | | | | | | | | |
| 01...09 | Available with spacing code 5 | | | | | | | | | | | | | | | | | | | | | | | | | | | | | | | | | | | | | | | | | | | | | | | |
| Ductile Iron | | | | | | | | | | | | | | | | | | | | | | | | | | | | | | | | | | | | | | | | | | | | | | | | |
| 01...08 | Available with spacing code 5 | | | | | | | | | | | | | | | | | | | | | | | | | | | | | | | | | | | | | | | | | | | | | | | |
| Valve Spacing | | | | | | | | | | | | | | | | | | | | | | | | | | | | | | | | | | | | | | | | | | | | | | | | |
| 5 | 5.00 inch 127.0 mm | | | | | | | | | | | | | | | | | | | | | | | | | | | | | | | | | | | | | | | | | | | | | | | |
| Port Threads | | | | | | | | | | | | | | | | | | | | | | | | | | | | | | | | | | | | | | | | | | | | | | | | |
| F | P,A,B | T | | | | | | | | | | | | | | | | | | | | | | | | | | | | | | | | | | | | | | | | | | | | | | |
| CODE 61 4-Bolt Flange | | | | | | | | | | | | | | | | | | | | | | | | | | | | | | | | | | | | | | | | | | | | | | | | |
| | 0.75 CODE 61 | 1.00 CODE 61 | | | | | | | | | | | | | | | | | | | | | | | | | | | | | | | | | | | | | | | | | | | | | | |
| Options | | | | | | | | | | | | | | | | | | | | | | | | | | | | | | | | | | | | | | | | | | | | | | | | |
| See next page for available options and ordering codes. | | | | | | | | | | | | | | | | | | | | | | | | | | | | | | | | | | | | | | | | | | | | | | | | |

Options - D05 High Flow Parallel Manifold Flange Ports

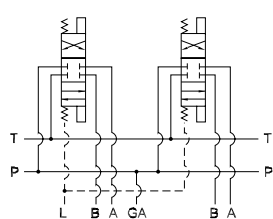
Contact Daman or consult web CADalog for cavity locations if critical.



Parallel Circuit with X & Y



Parallel Circuit with L



ISOLATIONS

Daman isolation options allow a manifold to have two independent pressure and/or tank ports. Isolations are drilled rather than plugged to ensure a leakproof and failproof isolation.

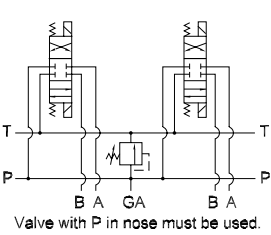
| Ordering code letter: | * Isolation is between stations: | Available # of stations: |
|-----------------------|----------------------------------|--------------------------|
| A | 01 & 02 | 02-08 |
| B | 02 & 03 | 03-09 |
| C | 03 & 04 | 04-09 |
| D | 04 & 05 | 05-09 |
| E | 05 & 06 | 06-09 |
| F | 06 & 07 | 07-09 |
| G | 07 & 08 | 08-09 |

* Stations are numbered left to right.

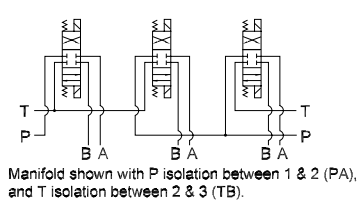
NOTES:

- 1) The GA port is not available on a (1) station manifold.
- 2) The GA port is not available when a pressure isolation is located between stations 1 & 2.

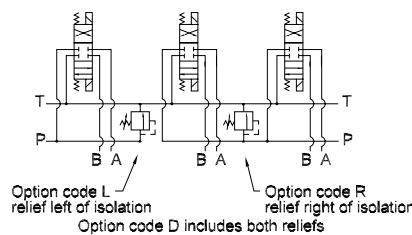
Parallel Circuit with Relief



Parallel Circuit with Isolations



Relief / Isolation Combination



Ordering Information

| Thread Type | Pilot Ports | Relief Cavity | Pressure Isolation | Tank Isolation | Relief & Isolation |
|-------------|-------------|---------------|--------------------|----------------|--------------------|
|-------------|-------------|---------------|--------------------|----------------|--------------------|

| Thread Type | |
|-------------|------------------------|
| Omit | Inch threads / ports |
| M | Metric threads / ports |

| Pilot Ports | |
|----------------------------------|--|
| Omit if pilot ports not required | |
| 1 | X port (USA std) NFFPA T3.5.1-D05 Alt-B |
| 3 | Y port (USA std) NFFPA T3.5.1-D05 Alt-B |
| 13 | X & Y ports (USA std) NFFPA T3.5.1-D05 Alt-B |
| 2 | X port ISO 4401-05-05 NFFPA T3.5.1-D05 Alt-A |
| 4 | Y port ISO 4401-05-05 NFFPA T3.5.1-D05 Alt-A |
| 24 | X & Y ports ISO 4401-05-05 NFFPA T3.5.1-D05 Alt-A |
| 5 | L ports Proportional valves |

Pilot ports available from 01-08 stations

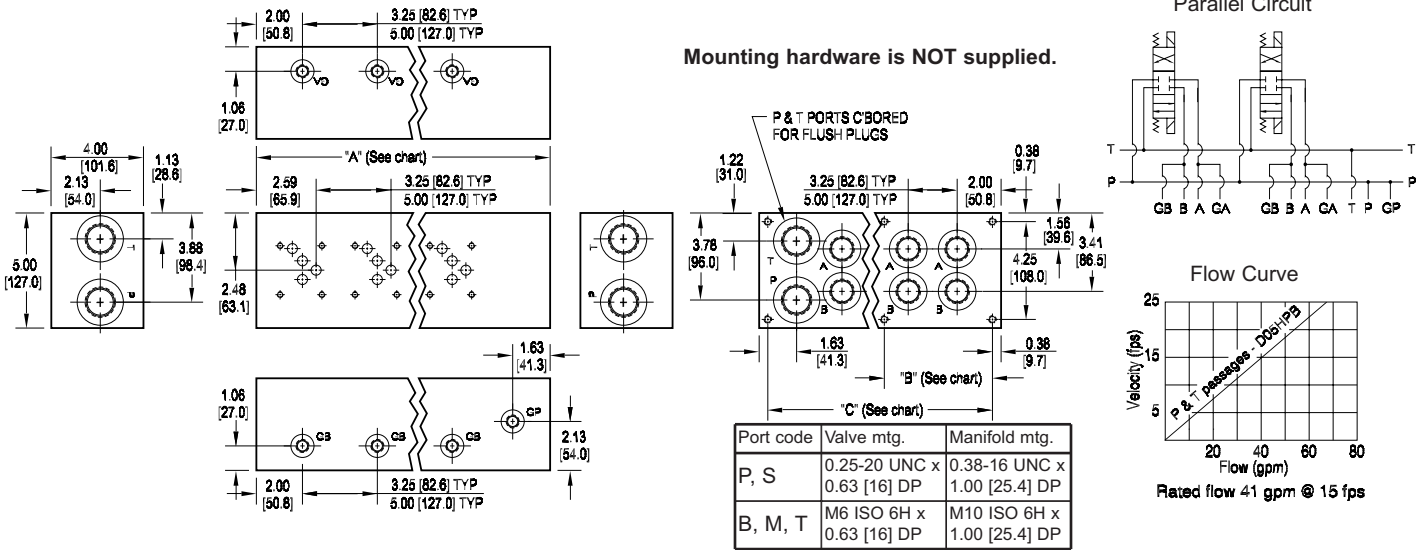
| Relief Cavity | |
|-----------------------------|---|
| Omit if relief not required | |
| C | Common cavity C-16-2 (P in nose) |
| S | Sun Cavity T-3A (P in nose) See Tech Info for valves. |

| Tank Isolation | |
|----------------------------------|-------------------------------|
| Omit if T isolation not required | |
| TA...TG | Available with spacing code 5 |

| Relief / Isolation Combination | |
|---|--|
| Specify when using both relief and isolation options. | |
| L | Relief cavity is located left of the isolation. |
| R | Relief cavity is located right of the isolation. |
| D | Two relief cavities, one each side of isolation. |

| Pressure Isolation | |
|----------------------------------|-------------------------------|
| Omit if P isolation not required | |
| PA...PG | Available with spacing code 5 |

D05 High Flow Bottom Ported Manifold



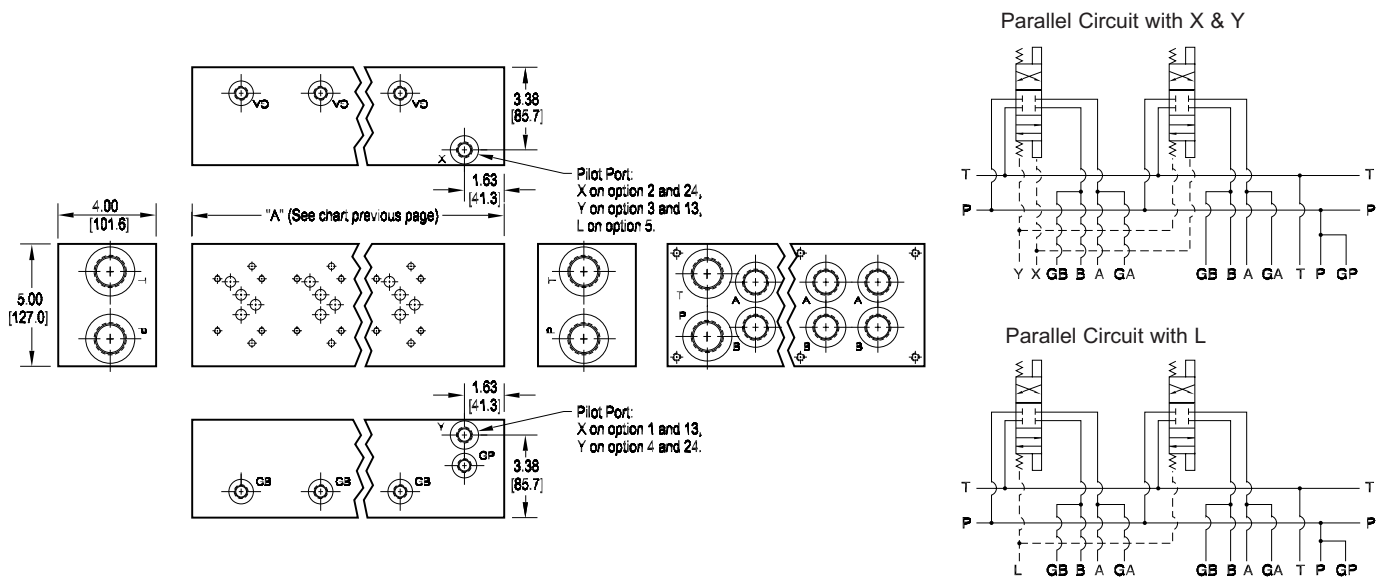
| No. of stations | 01 | 02 | 03 | 04 | 05 | 06 | 07 | 08 | 09 | 10 | No. of stations | 02 | 03 | 04 | 05 | 06 |
|---------------------------------------|--------------|--------------|---------------|---------------|---------------|---------------|---------------|---------------|---------------|---------------|---------------------------------------|---------------|---------------|---------------|---------------|---------------|
| "A" length (code 3 spa.) inch [mm] | 5.75 [146.1] | 9.00 [228.6] | 12.25 [311.2] | 15.50 [393.7] | 18.75 [476.3] | 22.00 [558.8] | 25.25 [641.4] | 28.50 [723.9] | 31.75 [806.5] | 35.00 [889.0] | "A" length (code 5 spa.) inch [mm] | 10.75 [273.1] | 15.75 [400.1] | 20.75 [527.1] | 25.75 [654.1] | 30.75 [781.1] |
| "B" dim (code 3 spa.) inch [mm] | -- | -- | -- | -- | -- | 9.75 [247.7] | 13.00 [330.2] | 13.00 [330.2] | 16.25 [412.8] | 16.25 [412.8] | "B" dim (code 5 spa.) inch [mm] | -- | -- | 9.38 [238.1] | 9.38 [238.1] | 14.38 [365.1] |
| "C" dim (code 3 spa.) inch [mm] | 5.00 [127.0] | 8.25 [209.6] | 11.50 [292.1] | 14.75 [374.7] | 18.00 [457.2] | 21.25 [539.8] | 24.50 [622.3] | 27.75 [704.9] | 31.00 [787.4] | 34.25 [870.0] | "C" dim (code 5 spa.) inch [mm] | 10.00 [254.0] | 15.00 [381.0] | 20.00 [508.0] | 25.00 [635.0] | 30.00 [762.0] |
| apx. weight alum lb [kg] | 12 [5] | 18 [8] | 25 [11] | 31 [14] | 38 [17] | 44 [20] | 51 [23] | 57 [26] | 64 [29] | 70 [32] | apx. weight alum lb [kg] | 22 [10] | 32 [14] | 42 [19] | 52 [23] | 62 [28] |
| apx. weight iron lb [kg] | 30 [14] | 47 [21] | 64 [29] | 81 [37] | 98 [44] | 114 [52] | 131 [60] | 148 [67] | 165 [75] | 182 [83] | apx. weight iron lb [kg] | 56 [25] | 82 [37] | 108 [49] | 134 [61] | 160 [73] |

Specifications, descriptions, and dimensional data are subject to correction or change without notice or incurring obligation. Download latest catalog page revisions at www.damanifolds.com.

Ordering Information

| Material | Valve Pattern | Circuit | No. of Stations | Valve Spacing | Port Threads | Options | | | | | | | | | | | | | | | | | | | | | | | | | | | | | | | | | | | | | | | | | | | | | | | | | | | | | | | | | | | | | | | | | | | | | | | | | | | | | | | | |
|---|---|---------|-----------------|--|--------------|--|---|---------------|--|------------|---|--|---------|--|------------|--|---|-----------------|--|----------|--|----------------|-------------------------------|----------------|-------------------------------|--------------|--|----------------|-------------------------------|----------------|-------------------------------|--|---------------|--|----------|----------------------|----------|-----------------------|---|--------------|--|--|--|--|--|--|-------|-------|----------------|----|--|----------|---------------------|------|------|------|------|----------|-----------------|-----|-----|----|----|----------|-----------------|------|------|------|------|----------|----------------|-----|-----|-----|-----|----------|--------------|------|------|------|------|---|---------|--|---|--|
| <table border="1"> <thead> <tr> <th colspan="2">Material</th> </tr> </thead> <tbody> <tr> <td>A</td> <td>Aluminum - 6061-T6 3000† psi • 20.7 MPa</td> </tr> <tr> <td>D</td> <td>Ductile Iron - D4512 5000† psi • 34.5 MPa</td> </tr> </tbody> </table> <p>† Working pressure should be considered in accordance with ISO 4413 to determine appropriate material type.</p> | Material | | A | Aluminum - 6061-T6 3000† psi • 20.7 MPa | D | Ductile Iron - D4512 5000† psi • 34.5 MPa | <table border="1"> <thead> <tr> <th colspan="2">Valve Pattern</th> </tr> </thead> <tbody> <tr> <td>D05</td> <td>ISO 4401-05-04 NFPA T3.5.1-D05 See Tech Information</td> </tr> </tbody> </table> | Valve Pattern | | D05 | ISO 4401-05-04 NFPA T3.5.1-D05 See Tech Information | <table border="1"> <thead> <tr> <th colspan="2">Circuit</th> </tr> </thead> <tbody> <tr> <td>HPB</td> <td>Parallel Circuit High Flow Bottom Ported</td> </tr> </tbody> </table> | Circuit | | HPB | Parallel Circuit High Flow Bottom Ported | <table border="1"> <thead> <tr> <th colspan="2">No. of Stations</th> </tr> </thead> <tbody> <tr> <td colspan="2">Aluminum</td> </tr> <tr> <td>01...10</td> <td>Available with spacing code 3</td> </tr> <tr> <td>02...06</td> <td>Available with spacing code 5</td> </tr> <tr> <td colspan="2">Ductile Iron</td> </tr> <tr> <td>01...10</td> <td>Available with spacing code 3</td> </tr> <tr> <td>02...06</td> <td>Available with spacing code 5</td> </tr> </tbody> </table> | No. of Stations | | Aluminum | | 01...10 | Available with spacing code 3 | 02...06 | Available with spacing code 5 | Ductile Iron | | 01...10 | Available with spacing code 3 | 02...06 | Available with spacing code 5 | <table border="1"> <thead> <tr> <th colspan="2">Valve Spacing</th> </tr> </thead> <tbody> <tr> <td>3</td> <td>3.25 inch 82.6 mm</td> </tr> <tr> <td>5</td> <td>5.00 inch 127.0 mm</td> </tr> </tbody> </table> | Valve Spacing | | 3 | 3.25 inch 82.6 mm | 5 | 5.00 inch 127.0 mm | <table border="1"> <thead> <tr> <th colspan="6">Port Threads</th> </tr> <tr> <th></th> <th>P & T</th> <th>A & B</th> <th>X,Y,L optional</th> <th colspan="2">G*</th> </tr> </thead> <tbody> <tr> <td>P</td> <td>NPTF • ANSI B1.20.3</td> <td>1.00</td> <td>0.75</td> <td>0.38</td> <td>0.25</td> </tr> <tr> <td>S</td> <td>SAE • ISO 11926</td> <td>-16</td> <td>-12</td> <td>-6</td> <td>-4</td> </tr> <tr> <td>B</td> <td>BSPP • ISO 1179</td> <td>1.00</td> <td>0.75</td> <td>0.38</td> <td>0.25</td> </tr> <tr> <td>M</td> <td>ISO • ISO 6149</td> <td>M33</td> <td>M27</td> <td>M14</td> <td>M10</td> </tr> <tr> <td>T</td> <td>BSPT • ISO 7</td> <td>1.00</td> <td>0.75</td> <td>0.38</td> <td>0.25</td> </tr> </tbody> </table> | Port Threads | | | | | | | P & T | A & B | X,Y,L optional | G* | | P | NPTF • ANSI B1.20.3 | 1.00 | 0.75 | 0.38 | 0.25 | S | SAE • ISO 11926 | -16 | -12 | -6 | -4 | B | BSPP • ISO 1179 | 1.00 | 0.75 | 0.38 | 0.25 | M | ISO • ISO 6149 | M33 | M27 | M14 | M10 | T | BSPT • ISO 7 | 1.00 | 0.75 | 0.38 | 0.25 | <table border="1"> <thead> <tr> <th colspan="2">Options</th> </tr> </thead> <tbody> <tr> <td colspan="2">See next page for available options and ordering codes.</td> </tr> </tbody> </table> | Options | | See next page for available options and ordering codes. | |
| Material | | | | | | | | | | | | | | | | | | | | | | | | | | | | | | | | | | | | | | | | | | | | | | | | | | | | | | | | | | | | | | | | | | | | | | | | | | | | | | | | | | | | | | |
| A | Aluminum - 6061-T6 3000† psi • 20.7 MPa | | | | | | | | | | | | | | | | | | | | | | | | | | | | | | | | | | | | | | | | | | | | | | | | | | | | | | | | | | | | | | | | | | | | | | | | | | | | | | | | | | | | | |
| D | Ductile Iron - D4512 5000† psi • 34.5 MPa | | | | | | | | | | | | | | | | | | | | | | | | | | | | | | | | | | | | | | | | | | | | | | | | | | | | | | | | | | | | | | | | | | | | | | | | | | | | | | | | | | | | | |
| Valve Pattern | | | | | | | | | | | | | | | | | | | | | | | | | | | | | | | | | | | | | | | | | | | | | | | | | | | | | | | | | | | | | | | | | | | | | | | | | | | | | | | | | | | | | | |
| D05 | ISO 4401-05-04 NFPA T3.5.1-D05 See Tech Information | | | | | | | | | | | | | | | | | | | | | | | | | | | | | | | | | | | | | | | | | | | | | | | | | | | | | | | | | | | | | | | | | | | | | | | | | | | | | | | | | | | | | |
| Circuit | | | | | | | | | | | | | | | | | | | | | | | | | | | | | | | | | | | | | | | | | | | | | | | | | | | | | | | | | | | | | | | | | | | | | | | | | | | | | | | | | | | | | | |
| HPB | Parallel Circuit High Flow Bottom Ported | | | | | | | | | | | | | | | | | | | | | | | | | | | | | | | | | | | | | | | | | | | | | | | | | | | | | | | | | | | | | | | | | | | | | | | | | | | | | | | | | | | | | |
| No. of Stations | | | | | | | | | | | | | | | | | | | | | | | | | | | | | | | | | | | | | | | | | | | | | | | | | | | | | | | | | | | | | | | | | | | | | | | | | | | | | | | | | | | | | | |
| Aluminum | | | | | | | | | | | | | | | | | | | | | | | | | | | | | | | | | | | | | | | | | | | | | | | | | | | | | | | | | | | | | | | | | | | | | | | | | | | | | | | | | | | | | | |
| 01...10 | Available with spacing code 3 | | | | | | | | | | | | | | | | | | | | | | | | | | | | | | | | | | | | | | | | | | | | | | | | | | | | | | | | | | | | | | | | | | | | | | | | | | | | | | | | | | | | | |
| 02...06 | Available with spacing code 5 | | | | | | | | | | | | | | | | | | | | | | | | | | | | | | | | | | | | | | | | | | | | | | | | | | | | | | | | | | | | | | | | | | | | | | | | | | | | | | | | | | | | | |
| Ductile Iron | | | | | | | | | | | | | | | | | | | | | | | | | | | | | | | | | | | | | | | | | | | | | | | | | | | | | | | | | | | | | | | | | | | | | | | | | | | | | | | | | | | | | | |
| 01...10 | Available with spacing code 3 | | | | | | | | | | | | | | | | | | | | | | | | | | | | | | | | | | | | | | | | | | | | | | | | | | | | | | | | | | | | | | | | | | | | | | | | | | | | | | | | | | | | | |
| 02...06 | Available with spacing code 5 | | | | | | | | | | | | | | | | | | | | | | | | | | | | | | | | | | | | | | | | | | | | | | | | | | | | | | | | | | | | | | | | | | | | | | | | | | | | | | | | | | | | | |
| Valve Spacing | | | | | | | | | | | | | | | | | | | | | | | | | | | | | | | | | | | | | | | | | | | | | | | | | | | | | | | | | | | | | | | | | | | | | | | | | | | | | | | | | | | | | | |
| 3 | 3.25 inch 82.6 mm | | | | | | | | | | | | | | | | | | | | | | | | | | | | | | | | | | | | | | | | | | | | | | | | | | | | | | | | | | | | | | | | | | | | | | | | | | | | | | | | | | | | | |
| 5 | 5.00 inch 127.0 mm | | | | | | | | | | | | | | | | | | | | | | | | | | | | | | | | | | | | | | | | | | | | | | | | | | | | | | | | | | | | | | | | | | | | | | | | | | | | | | | | | | | | | |
| Port Threads | | | | | | | | | | | | | | | | | | | | | | | | | | | | | | | | | | | | | | | | | | | | | | | | | | | | | | | | | | | | | | | | | | | | | | | | | | | | | | | | | | | | | | |
| | P & T | A & B | X,Y,L optional | G* | | | | | | | | | | | | | | | | | | | | | | | | | | | | | | | | | | | | | | | | | | | | | | | | | | | | | | | | | | | | | | | | | | | | | | | | | | | | | | | | | | |
| P | NPTF • ANSI B1.20.3 | 1.00 | 0.75 | 0.38 | 0.25 | | | | | | | | | | | | | | | | | | | | | | | | | | | | | | | | | | | | | | | | | | | | | | | | | | | | | | | | | | | | | | | | | | | | | | | | | | | | | | | | | |
| S | SAE • ISO 11926 | -16 | -12 | -6 | -4 | | | | | | | | | | | | | | | | | | | | | | | | | | | | | | | | | | | | | | | | | | | | | | | | | | | | | | | | | | | | | | | | | | | | | | | | | | | | | | | | | |
| B | BSPP • ISO 1179 | 1.00 | 0.75 | 0.38 | 0.25 | | | | | | | | | | | | | | | | | | | | | | | | | | | | | | | | | | | | | | | | | | | | | | | | | | | | | | | | | | | | | | | | | | | | | | | | | | | | | | | | | |
| M | ISO • ISO 6149 | M33 | M27 | M14 | M10 | | | | | | | | | | | | | | | | | | | | | | | | | | | | | | | | | | | | | | | | | | | | | | | | | | | | | | | | | | | | | | | | | | | | | | | | | | | | | | | | | |
| T | BSPT • ISO 7 | 1.00 | 0.75 | 0.38 | 0.25 | | | | | | | | | | | | | | | | | | | | | | | | | | | | | | | | | | | | | | | | | | | | | | | | | | | | | | | | | | | | | | | | | | | | | | | | | | | | | | | | | |
| Options | | | | | | | | | | | | | | | | | | | | | | | | | | | | | | | | | | | | | | | | | | | | | | | | | | | | | | | | | | | | | | | | | | | | | | | | | | | | | | | | | | | | | | |
| See next page for available options and ordering codes. | | | | | | | | | | | | | | | | | | | | | | | | | | | | | | | | | | | | | | | | | | | | | | | | | | | | | | | | | | | | | | | | | | | | | | | | | | | | | | | | | | | | | | |

Options - D05 High Flow Parallel Manifold Bottom Ported

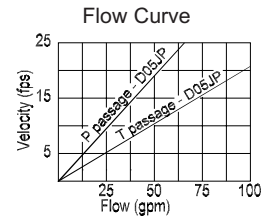
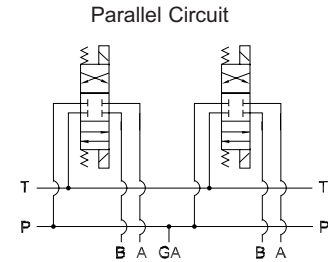
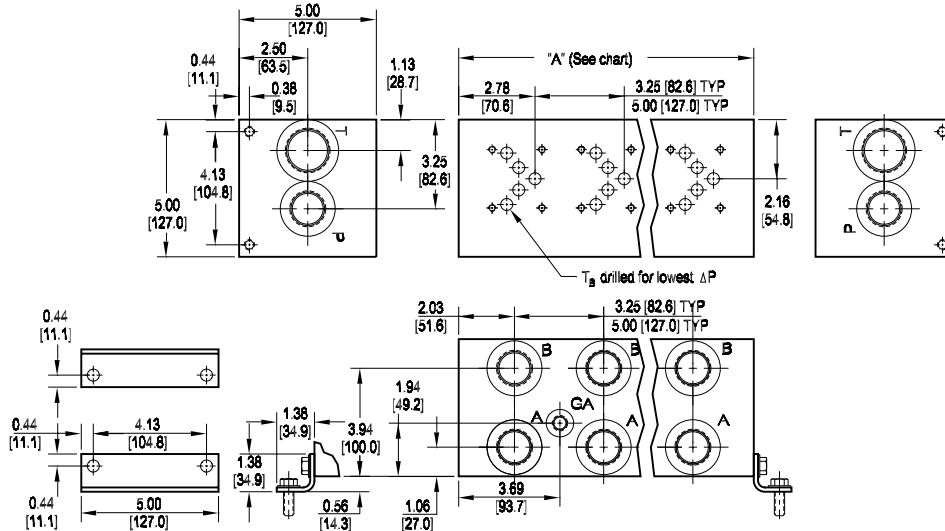


Ordering Information



| Pilot Ports | |
|----------------------------------|--|
| Omit if pilot ports not required | |
| 1 | X port (USA std) NFFPA T3.5.1-D05 Alt-B |
| 3 | Y port (USA std) NFFPA T3.5.1-D05 Alt-B |
| 13 | X & Y ports (USA std) NFFPA T3.5.1-D05 Alt-B |
| 2 | X port ISO 4401-05-05 NFFPA T3.5.1-D05 Alt-A |
| 4 | Y port ISO 4401-05-05 NFFPA T3.5.1-D05 Alt-A |
| 24 | X & Y ports ISO 4401-05-05 NFFPA T3.5.1-D05 Alt-A |
| 5 | L ports Proportional valves |

D05 Extra High Flow Parallel Circuit Manifold



Rated flow Pressure 41 gpm @ 15 fps
 Rated flow Tank 72 gpm @ 15 fps

| No. of stations | * 01 | 02 | 03 | 04 | 05 | 06 | 07 | 08 | 09 | 10 |
|---------------------------------------|-----------------|-----------------|------------------|------------------|------------------|------------------|------------------|------------------|------------------|------------------|
| "A" length (code 3 spa.) inch [mm] | 4.25 [108.0] | 7.50 [190.5] | 10.75 [273.1] | 14.00 [355.6] | 17.25 [438.2] | 20.50 [520.7] | 23.75 [603.3] | 27.00 [685.8] | 30.25 [768.4] | 33.50 [850.9] |
| apx. weight alum lb [kg] | 10 [5] | 18 [8] | 26 [12] | 35 [16] | 43 [20] | 51 [23] | 59 [27] | 67 [30] | 75 [34] | 83 [38] |
| apx. weight iron lb [kg] | 27 [12] | 48 [22] | 69 [31] | 91 [41] | 112 [51] | 133 [60] | 154 [70] | 175 [79] | 196 [89] | 217 [99] |
| "A" length (code 5 spa.) inch [mm] | -- | 9.25 [235.0] | 14.25 [362.0] | 19.25 [489.0] | 24.25 [616.0] | 29.25 [743.0] | | | | |
| apx. weight alum lb [kg] | -- | 23 [10] | 35 [16] | 48 [22] | 60 [27] | 73 [33] | | | | |
| apx. weight iron lb [kg] | -- | 60 [27.2] | 92 [41.8] | 125 [56.8] | 157 [71.3] | 190 [86.3] | | | | |

* Length of 01 station with relief cavity is 5.50 [139.7]. Gauge port not available on 01 station.

All mounting hardware is supplied.
 See page 63 for itemized list.

| Port code | Valve mtg. | Manifold mtg. |
|-----------|-------------------------------|-------------------------------|
| P, S | 0.25-20 UNC x 0.75 [19] DP | 0.38-16 UNC x 0.75 [19] DP |
| B, M, T | M6 ISO 6H x 0.75 [19] DP | M10 ISO 6H x 0.75 [19] DP |

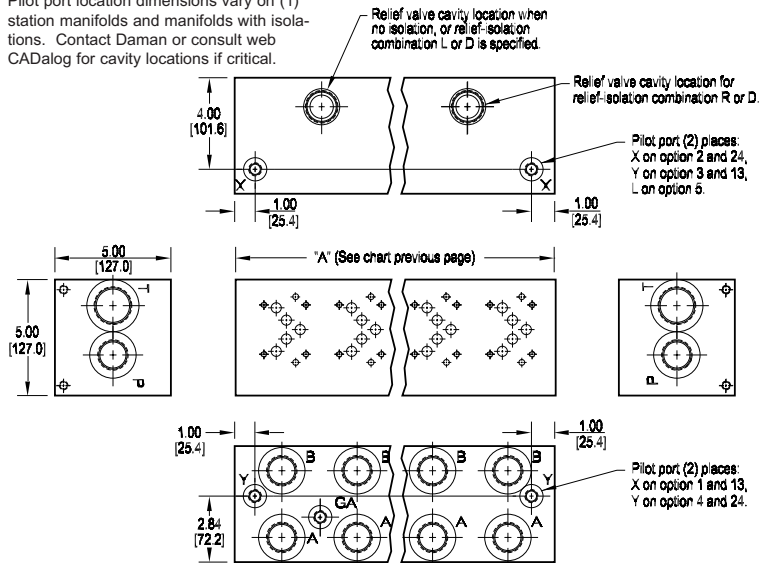
Specifications, descriptions, and dimensional data are subject to correction or change without notice or incurring obligation.
 Download latest catalog page revisions at www.damanifolds.com.

Ordering Information

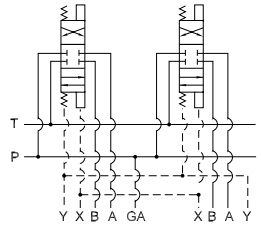
| Material | Valve Pattern | Circuit | No. of Stations | Valve Spacing | Port Threads | Options | | | | | | | | | | | | | | | | | | | | | | | | | | | | | | | | | | | | | | | | | | | | | | | | | | | | | | | | | | | | | | | | | | | | | | | | | | | | | | |
|---|---|---------|-------------------|--|--------------|--|---|---------------|--|------------|---|---|---------|--|-----------|-------------------------------------|---|-----------------|--|----------|--|----------------|-------------------------------|----------------|-------------------------------|--------------|--|----------------|-------------------------------|----------------|-------------------------------|--|---------------|--|----------|----------------------|----------|-----------------------|--|--------------|--|--|--|--|--|--|-------|---|-------------------|----|--|----------|---------------------|------|------|------|------|----------|-----------------|-----|-----|----|----|----------|-----------------|------|------|------|------|----------|----------------|-----|-----|-----|------|----------|--------------|------|------|------|------|---|---------|---|
| <table border="1" style="width: 100%; border-collapse: collapse;"> <thead> <tr> <th colspan="2">Material</th> </tr> </thead> <tbody> <tr> <td style="text-align: center;">A</td> <td>Aluminum - 6061-T6 3000† psi • 20.7 MPa</td> </tr> <tr> <td style="text-align: center;">D</td> <td>Ductile Iron - D4512 5000† psi • 34.5 MPa</td> </tr> </tbody> </table> <p>† Working pressure should be considered in accordance with ISO 4413 to determine appropriate material type.</p> | Material | | A | Aluminum - 6061-T6 3000† psi • 20.7 MPa | D | Ductile Iron - D4512 5000† psi • 34.5 MPa | <table border="1" style="width: 100%; border-collapse: collapse;"> <thead> <tr> <th colspan="2">Valve Pattern</th> </tr> </thead> <tbody> <tr> <td style="text-align: center;">D05</td> <td>ISO 4401-05-04 NFPA T3.5.1-D05 See Tech Information</td> </tr> </tbody> </table> | Valve Pattern | | D05 | ISO 4401-05-04 NFPA T3.5.1-D05 See Tech Information | <table border="1" style="width: 100%; border-collapse: collapse;"> <thead> <tr> <th colspan="2">Circuit</th> </tr> </thead> <tbody> <tr> <td style="text-align: center;">JP</td> <td>Parallel Circuit Extra High Flow</td> </tr> </tbody> </table> | Circuit | | JP | Parallel Circuit Extra High Flow | <table border="1" style="width: 100%; border-collapse: collapse;"> <thead> <tr> <th colspan="2">No. of Stations</th> </tr> </thead> <tbody> <tr> <td colspan="2" style="text-align: center;">Aluminum</td> </tr> <tr> <td style="text-align: center;">01...10</td> <td>Available with spacing code 3</td> </tr> <tr> <td style="text-align: center;">02...06</td> <td>Available with spacing code 5</td> </tr> <tr> <td colspan="2" style="text-align: center;">Ductile Iron</td> </tr> <tr> <td style="text-align: center;">01...10</td> <td>Available with spacing code 3</td> </tr> <tr> <td style="text-align: center;">02...06</td> <td>Available with spacing code 5</td> </tr> </tbody> </table> | No. of Stations | | Aluminum | | 01...10 | Available with spacing code 3 | 02...06 | Available with spacing code 5 | Ductile Iron | | 01...10 | Available with spacing code 3 | 02...06 | Available with spacing code 5 | <table border="1" style="width: 100%; border-collapse: collapse;"> <thead> <tr> <th colspan="2">Valve Spacing</th> </tr> </thead> <tbody> <tr> <td style="text-align: center;">3</td> <td>3.25 inch 82.6 mm</td> </tr> <tr> <td style="text-align: center;">5</td> <td>5.00 inch 127.0 mm</td> </tr> </tbody> </table> | Valve Spacing | | 3 | 3.25 inch 82.6 mm | 5 | 5.00 inch 127.0 mm | <table border="1" style="width: 100%; border-collapse: collapse;"> <thead> <tr> <th colspan="6">Port Threads</th> </tr> <tr> <th></th> <th>P,A,B</th> <th>T</th> <th>X,Y,L optional</th> <th colspan="2">GA</th> </tr> </thead> <tbody> <tr> <td style="text-align: center;">P</td> <td>NPTF • ANSI B1.20.3</td> <td>1.00</td> <td>1.25</td> <td>0.38</td> <td>0.25</td> </tr> <tr> <td style="text-align: center;">S</td> <td>SAE • ISO 11926</td> <td>-16</td> <td>-20</td> <td>-6</td> <td>-6</td> </tr> <tr> <td style="text-align: center;">B</td> <td>BSPP • ISO 1179</td> <td>1.00</td> <td>1.25</td> <td>0.38</td> <td>none</td> </tr> <tr> <td style="text-align: center;">M</td> <td>ISO • ISO 6149</td> <td>M33</td> <td>M42</td> <td>M14</td> <td>none</td> </tr> <tr> <td style="text-align: center;">T</td> <td>BSPT • ISO 7</td> <td>1.00</td> <td>1.25</td> <td>0.38</td> <td>none</td> </tr> </tbody> </table> | Port Threads | | | | | | | P,A,B | T | X,Y,L optional | GA | | P | NPTF • ANSI B1.20.3 | 1.00 | 1.25 | 0.38 | 0.25 | S | SAE • ISO 11926 | -16 | -20 | -6 | -6 | B | BSPP • ISO 1179 | 1.00 | 1.25 | 0.38 | none | M | ISO • ISO 6149 | M33 | M42 | M14 | none | T | BSPT • ISO 7 | 1.00 | 1.25 | 0.38 | none | <table border="1" style="width: 100%; border-collapse: collapse;"> <thead> <tr> <th colspan="1">Options</th> </tr> </thead> <tbody> <tr> <td>See next page for available options and ordering codes.</td> </tr> </tbody> </table> | Options | See next page for available options and ordering codes. |
| Material | | | | | | | | | | | | | | | | | | | | | | | | | | | | | | | | | | | | | | | | | | | | | | | | | | | | | | | | | | | | | | | | | | | | | | | | | | | | | | | | | | | | |
| A | Aluminum - 6061-T6 3000† psi • 20.7 MPa | | | | | | | | | | | | | | | | | | | | | | | | | | | | | | | | | | | | | | | | | | | | | | | | | | | | | | | | | | | | | | | | | | | | | | | | | | | | | | | | | | | |
| D | Ductile Iron - D4512 5000† psi • 34.5 MPa | | | | | | | | | | | | | | | | | | | | | | | | | | | | | | | | | | | | | | | | | | | | | | | | | | | | | | | | | | | | | | | | | | | | | | | | | | | | | | | | | | | |
| Valve Pattern | | | | | | | | | | | | | | | | | | | | | | | | | | | | | | | | | | | | | | | | | | | | | | | | | | | | | | | | | | | | | | | | | | | | | | | | | | | | | | | | | | | | |
| D05 | ISO 4401-05-04 NFPA T3.5.1-D05 See Tech Information | | | | | | | | | | | | | | | | | | | | | | | | | | | | | | | | | | | | | | | | | | | | | | | | | | | | | | | | | | | | | | | | | | | | | | | | | | | | | | | | | | | |
| Circuit | | | | | | | | | | | | | | | | | | | | | | | | | | | | | | | | | | | | | | | | | | | | | | | | | | | | | | | | | | | | | | | | | | | | | | | | | | | | | | | | | | | | |
| JP | Parallel Circuit Extra High Flow | | | | | | | | | | | | | | | | | | | | | | | | | | | | | | | | | | | | | | | | | | | | | | | | | | | | | | | | | | | | | | | | | | | | | | | | | | | | | | | | | | | |
| No. of Stations | | | | | | | | | | | | | | | | | | | | | | | | | | | | | | | | | | | | | | | | | | | | | | | | | | | | | | | | | | | | | | | | | | | | | | | | | | | | | | | | | | | | |
| Aluminum | | | | | | | | | | | | | | | | | | | | | | | | | | | | | | | | | | | | | | | | | | | | | | | | | | | | | | | | | | | | | | | | | | | | | | | | | | | | | | | | | | | | |
| 01...10 | Available with spacing code 3 | | | | | | | | | | | | | | | | | | | | | | | | | | | | | | | | | | | | | | | | | | | | | | | | | | | | | | | | | | | | | | | | | | | | | | | | | | | | | | | | | | | |
| 02...06 | Available with spacing code 5 | | | | | | | | | | | | | | | | | | | | | | | | | | | | | | | | | | | | | | | | | | | | | | | | | | | | | | | | | | | | | | | | | | | | | | | | | | | | | | | | | | | |
| Ductile Iron | | | | | | | | | | | | | | | | | | | | | | | | | | | | | | | | | | | | | | | | | | | | | | | | | | | | | | | | | | | | | | | | | | | | | | | | | | | | | | | | | | | | |
| 01...10 | Available with spacing code 3 | | | | | | | | | | | | | | | | | | | | | | | | | | | | | | | | | | | | | | | | | | | | | | | | | | | | | | | | | | | | | | | | | | | | | | | | | | | | | | | | | | | |
| 02...06 | Available with spacing code 5 | | | | | | | | | | | | | | | | | | | | | | | | | | | | | | | | | | | | | | | | | | | | | | | | | | | | | | | | | | | | | | | | | | | | | | | | | | | | | | | | | | | |
| Valve Spacing | | | | | | | | | | | | | | | | | | | | | | | | | | | | | | | | | | | | | | | | | | | | | | | | | | | | | | | | | | | | | | | | | | | | | | | | | | | | | | | | | | | | |
| 3 | 3.25 inch 82.6 mm | | | | | | | | | | | | | | | | | | | | | | | | | | | | | | | | | | | | | | | | | | | | | | | | | | | | | | | | | | | | | | | | | | | | | | | | | | | | | | | | | | | |
| 5 | 5.00 inch 127.0 mm | | | | | | | | | | | | | | | | | | | | | | | | | | | | | | | | | | | | | | | | | | | | | | | | | | | | | | | | | | | | | | | | | | | | | | | | | | | | | | | | | | | |
| Port Threads | | | | | | | | | | | | | | | | | | | | | | | | | | | | | | | | | | | | | | | | | | | | | | | | | | | | | | | | | | | | | | | | | | | | | | | | | | | | | | | | | | | | |
| | P,A,B | T | X,Y,L optional | GA | | | | | | | | | | | | | | | | | | | | | | | | | | | | | | | | | | | | | | | | | | | | | | | | | | | | | | | | | | | | | | | | | | | | | | | | | | | | | | | | |
| P | NPTF • ANSI B1.20.3 | 1.00 | 1.25 | 0.38 | 0.25 | | | | | | | | | | | | | | | | | | | | | | | | | | | | | | | | | | | | | | | | | | | | | | | | | | | | | | | | | | | | | | | | | | | | | | | | | | | | | | | |
| S | SAE • ISO 11926 | -16 | -20 | -6 | -6 | | | | | | | | | | | | | | | | | | | | | | | | | | | | | | | | | | | | | | | | | | | | | | | | | | | | | | | | | | | | | | | | | | | | | | | | | | | | | | | |
| B | BSPP • ISO 1179 | 1.00 | 1.25 | 0.38 | none | | | | | | | | | | | | | | | | | | | | | | | | | | | | | | | | | | | | | | | | | | | | | | | | | | | | | | | | | | | | | | | | | | | | | | | | | | | | | | | |
| M | ISO • ISO 6149 | M33 | M42 | M14 | none | | | | | | | | | | | | | | | | | | | | | | | | | | | | | | | | | | | | | | | | | | | | | | | | | | | | | | | | | | | | | | | | | | | | | | | | | | | | | | | |
| T | BSPT • ISO 7 | 1.00 | 1.25 | 0.38 | none | | | | | | | | | | | | | | | | | | | | | | | | | | | | | | | | | | | | | | | | | | | | | | | | | | | | | | | | | | | | | | | | | | | | | | | | | | | | | | | |
| Options | | | | | | | | | | | | | | | | | | | | | | | | | | | | | | | | | | | | | | | | | | | | | | | | | | | | | | | | | | | | | | | | | | | | | | | | | | | | | | | | | | | | |
| See next page for available options and ordering codes. | | | | | | | | | | | | | | | | | | | | | | | | | | | | | | | | | | | | | | | | | | | | | | | | | | | | | | | | | | | | | | | | | | | | | | | | | | | | | | | | | | | | |

Options - D05 Extra High Flow Parallel Manifold

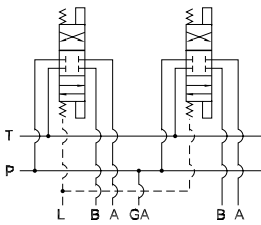
Pilot port location dimensions vary on (1) station manifolds and manifolds with isolations. Contact Daman or consult web CADalog for cavity locations if critical.



Parallel Circuit with X & Y



Parallel Circuit with L



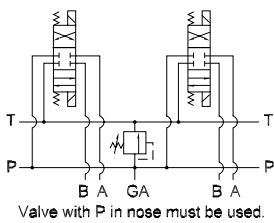
ISOLATIONS

Daman isolation options allow a manifold to have two independent pressure and/or tank ports. Isolations are drilled rather than plugged to ensure a leakproof and failproof isolation.

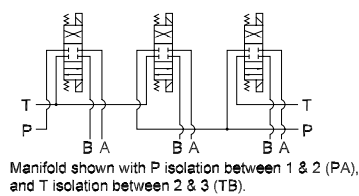
| Ordering code letter: | * Isolation is between stations: | Available # of stations: |
|-----------------------|----------------------------------|--------------------------|
| 3.25 [82.6] spacing | | |
| A | 01 & 02 | 02-10 |
| B | 02 & 03 | 03-10 |
| C | 03 & 04 | 04-10 |
| D | 04 & 05 | 05-10 |
| E | 05 & 06 | 06-10 |
| F | 06 & 07 | 07-10 |
| G | 07 & 08 | 08-10 |
| H | 08 & 09 | 09-10 |
| J | 09 & 10 | 10 |
| 5.00 [127.0] spacing | | |
| A | 01 & 02 | 02-06 |
| B | 02 & 03 | 03-06 |
| C | 03 & 04 | 04-06 |
| D | 04 & 05 | 05-06 |
| E | 05 & 06 | 06 |

* Stations are numbered left to right.

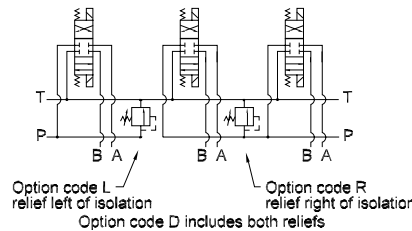
Parallel Circuit with Relief



Parallel Circuit with Isolations



Relief / Isolation Combinations



NOTES:

- 1) The GA port is not available on a (1) station manifold.
- 2) The GA port is not available when a pressure isolation is located between stations 1 & 2.
- 3) Some combinations of relief cavities and isolations are not possible. Consult factory to determine availability.

Ordering Information

| | | | | | |
|-----|-------------|---------------|--------------------|----------------|--------------------|
| ... | Pilot Ports | Relief Cavity | Pressure Isolation | Tank Isolation | Relief & Isolation |
|-----|-------------|---------------|--------------------|----------------|--------------------|

| Pilot Ports | |
|----------------------------------|--|
| Omit if pilot ports not required | |
| 1 | X port (USA std) NFFPA T3.5.1-D05 Alt-B |
| 3 | Y port (USA std) NFFPA T3.5.1-D05 Alt-B |
| 13 | X & Y ports (USA std) NFFPA T3.5.1-D05 Alt-B |
| 2 | X port ISO 4401-05-05 NFFPA T3.5.1-D05 Alt-A |
| 4 | Y port ISO 4401-05-05 NFFPA T3.5.1-D05 Alt-A |
| 24 | X & Y ports ISO 4401-05-05 NFFPA T3.5.1-D05 Alt-A |
| 5 | L ports Proportional valves |

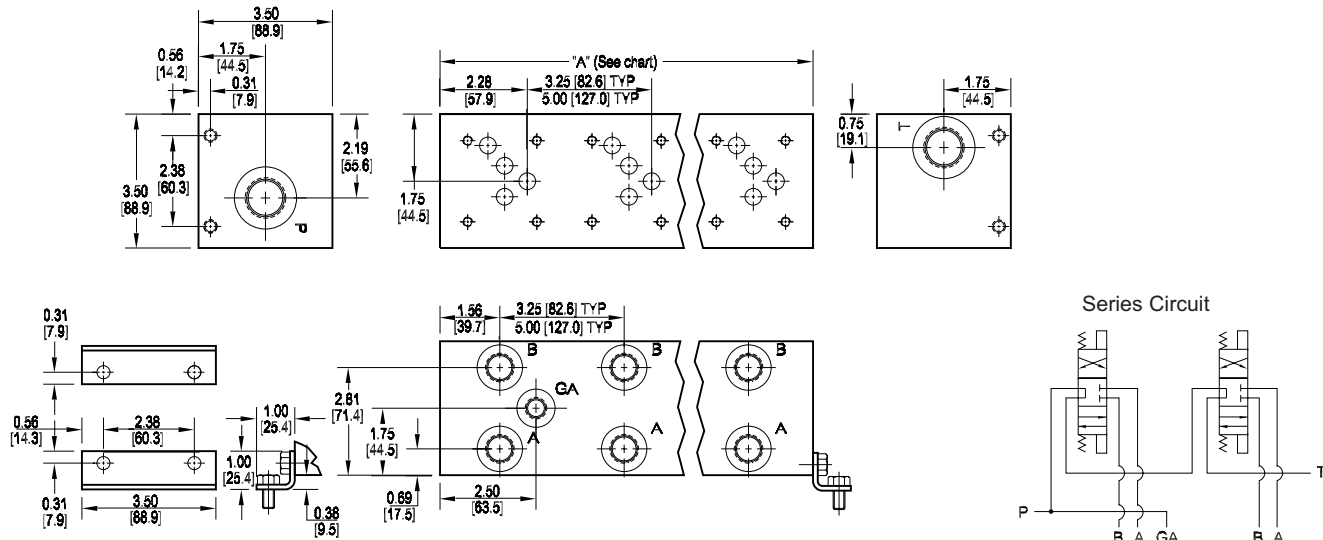
| Relief Cavity | |
|-----------------------------|--|
| Omit if relief not required | |
| C | Common cavity C-16-2 (P in nose) |
| S | Sun Cavity T-16A (P in nose) See Tech Info for valves. |

| Pressure Isolation | |
|----------------------------------|-------------------------------|
| Omit if P isolation not required | |
| PA...PJ | Available with spacing code 3 |
| PA...PE | Available with spacing code 5 |

| Tank Isolation | |
|----------------------------------|-------------------------------|
| Omit if T isolation not required | |
| TA...TJ | Available with spacing code 3 |
| TA...TE | Available with spacing code 5 |

| Relief / Isolation Combination | |
|---|--|
| Specify when using both relief and isolation options. | |
| L | Relief cavity is located left of the isolation. |
| R | Relief cavity is located right of the isolation. |
| D | Two relief cavities, one each side of isolation. |

D05 Standard Flow Series Circuit Manifold



| No. of stations | 02 | 03 | 04 |
|---------------------------------------|-----------------|------------------|------------------|
| "A" length (code 3 spa.) inch [mm] | 6.50 [165.1] | 9.75 [247.7] | 13.00 [330.2] |
| apx. weight alum lb [kg] | 8 [4] | 11 [5] | 14 [7] |
| apx. weight iron lb [kg] | 17 [8] | 26 [12] | 34 [15] |
| "A" length (code 5 spa.) inch [mm] | 8.25 [209.6] | 13.25 [336.6] | 18.25 [463.6] |
| apx. weight alum lb [kg] | 9 [4] | 15 [7] | 20 [9] |
| apx. weight iron lb [kg] | 22 [10] | 36 [16] | 49 [22] |

All mounting hardware is supplied.
See page 62 for itemized list.

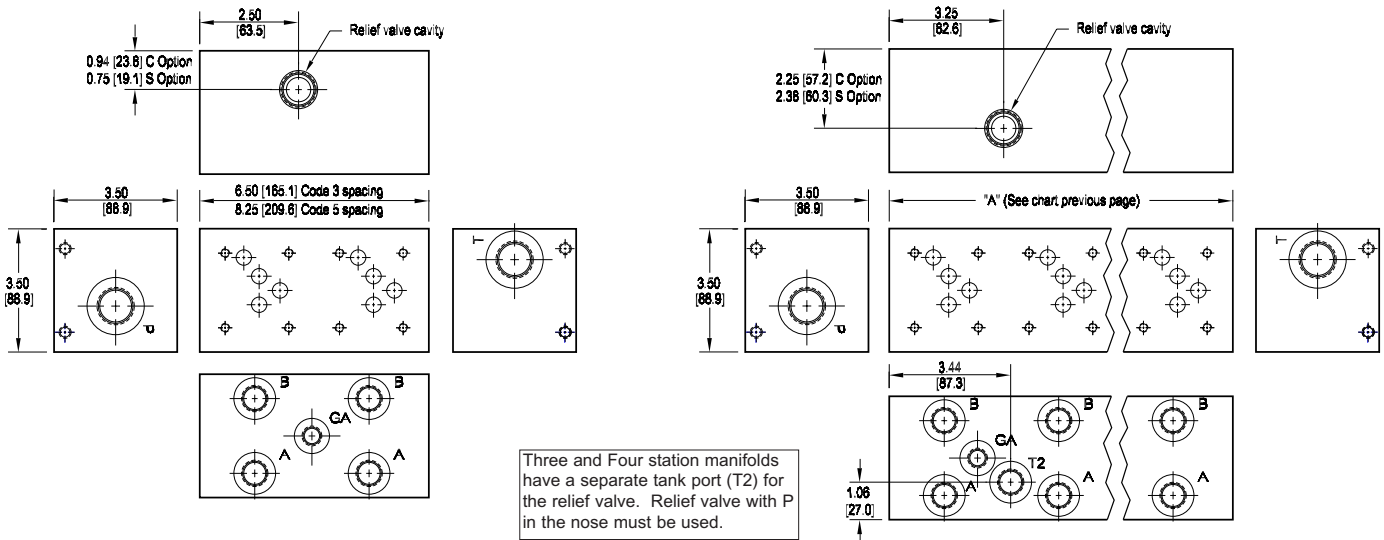
| Port code | Valve mtg. | Manifold mtg. |
|-----------|-------------------------------|---------------------------------|
| P, S | 0.25-20 UNC x 0.75 [19] DP | 0.31-18 UNC x 0.44 [11.1] DP |
| B, M, T | M6 ISO 6H x 0.75 [19] DP | M8 ISO 6H x 0.44 [11.1] DP |

Specifications, descriptions, and dimensional data are subject to correction or change without notice or incurring obligation.
Download latest catalog page revisions at www.damanifolds.com.

Ordering Information

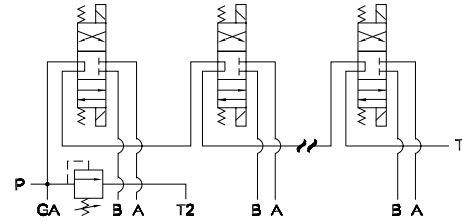
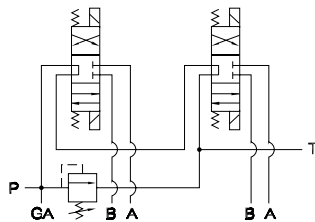
| Material | Valve Pattern | Circuit | No. of Stations | Valve Spacing | Port Threads | Options | | | | | | | | | | | | | | | | | | | | | | | | | | | | | | | | | | | | | | | | | | | | | | | | | | | | | | | | | | | | | | | | |
|--|---|---------|-----------------|--|--------------|--|---|--|---|---------------|--|------------|---|--|---------|--|----------|---------------------------------|---|-----------------|--|----------|--|----------------|-------------------------------|----------------|-------------------------------|--------------|--|----------------|-------------------------------|----------------|-------------------------------|--|---------------|--|----------|----------------------|----------|-----------------------|---|--------------|--|--|--|----------|---------------------|-------|-------|----------|-----------------|-----|----|----------|-----------------|------|------|----------|----------------|-----|-----|----------|--------------|------|------|---|---------|--|---|--|
| <table border="1" style="width: 100%; border-collapse: collapse;"> <thead> <tr> <th colspan="2">Material</th> </tr> </thead> <tbody> <tr> <td style="text-align: center;">A</td> <td>Aluminum - 6061-T6 3000† psi • 20.7 MPa</td> </tr> <tr> <td style="text-align: center;">D</td> <td>Ductile Iron - D4512 5000† psi • 34.5 MPa</td> </tr> <tr> <td colspan="2">† Working pressure should be considered in accordance with ISO 4413 to determine appropriate material type.</td> </tr> </tbody> </table> | Material | | A | Aluminum - 6061-T6 3000† psi • 20.7 MPa | D | Ductile Iron - D4512 5000† psi • 34.5 MPa | † Working pressure should be considered in accordance with ISO 4413 to determine appropriate material type. | | <table border="1" style="width: 100%; border-collapse: collapse;"> <thead> <tr> <th colspan="2">Valve Pattern</th> </tr> </thead> <tbody> <tr> <td style="text-align: center;">D05</td> <td>ISO-4401-05-04 NFPA T3.5.1-D05 See Tech Information</td> </tr> </tbody> </table> | Valve Pattern | | D05 | ISO-4401-05-04 NFPA T3.5.1-D05 See Tech Information | <table border="1" style="width: 100%; border-collapse: collapse;"> <thead> <tr> <th colspan="2">Circuit</th> </tr> </thead> <tbody> <tr> <td style="text-align: center;">S</td> <td>Series Circuit Standard Flow</td> </tr> </tbody> </table> | Circuit | | S | Series Circuit Standard Flow | <table border="1" style="width: 100%; border-collapse: collapse;"> <thead> <tr> <th colspan="2">No. of Stations</th> </tr> </thead> <tbody> <tr> <td colspan="2" style="text-align: center;">Aluminum</td> </tr> <tr> <td style="text-align: center;">02...04</td> <td>Available with spacing code 3</td> </tr> <tr> <td style="text-align: center;">02...04</td> <td>Available with spacing code 5</td> </tr> <tr> <td colspan="2" style="text-align: center;">Ductile Iron</td> </tr> <tr> <td style="text-align: center;">02...04</td> <td>Available with spacing code 3</td> </tr> <tr> <td style="text-align: center;">02...04</td> <td>Available with spacing code 5</td> </tr> </tbody> </table> | No. of Stations | | Aluminum | | 02...04 | Available with spacing code 3 | 02...04 | Available with spacing code 5 | Ductile Iron | | 02...04 | Available with spacing code 3 | 02...04 | Available with spacing code 5 | <table border="1" style="width: 100%; border-collapse: collapse;"> <thead> <tr> <th colspan="2">Valve Spacing</th> </tr> </thead> <tbody> <tr> <td style="text-align: center;">3</td> <td>3.25 inch 82.6 mm</td> </tr> <tr> <td style="text-align: center;">5</td> <td>5.00 inch 127.0 mm</td> </tr> </tbody> </table> | Valve Spacing | | 3 | 3.25 inch 82.6 mm | 5 | 5.00 inch 127.0 mm | <table border="1" style="width: 100%; border-collapse: collapse;"> <thead> <tr> <th colspan="4">Port Threads</th> </tr> </thead> <tbody> <tr> <td style="text-align: center;">P</td> <td>NPTF • ANSI B1.20.3</td> <td style="text-align: center;">P & T</td> <td style="text-align: center;">A & B</td> </tr> <tr> <td style="text-align: center;">S</td> <td>SAE • ISO 11926</td> <td style="text-align: center;">-12</td> <td style="text-align: center;">-8</td> </tr> <tr> <td style="text-align: center;">B</td> <td>BSPP • ISO 1179</td> <td style="text-align: center;">0.75</td> <td style="text-align: center;">0.50</td> </tr> <tr> <td style="text-align: center;">M</td> <td>ISO • ISO 6149</td> <td style="text-align: center;">M27</td> <td style="text-align: center;">M18</td> </tr> <tr> <td style="text-align: center;">T</td> <td>BSPT • ISO 7</td> <td style="text-align: center;">0.75</td> <td style="text-align: center;">0.50</td> </tr> </tbody> </table> | Port Threads | | | | P | NPTF • ANSI B1.20.3 | P & T | A & B | S | SAE • ISO 11926 | -12 | -8 | B | BSPP • ISO 1179 | 0.75 | 0.50 | M | ISO • ISO 6149 | M27 | M18 | T | BSPT • ISO 7 | 0.75 | 0.50 | <table border="1" style="width: 100%; border-collapse: collapse;"> <thead> <tr> <th colspan="2">Options</th> </tr> </thead> <tbody> <tr> <td colspan="2">See next page for available options and ordering codes.</td> </tr> </tbody> </table> | Options | | See next page for available options and ordering codes. | |
| Material | | | | | | | | | | | | | | | | | | | | | | | | | | | | | | | | | | | | | | | | | | | | | | | | | | | | | | | | | | | | | | | | | | | | | | |
| A | Aluminum - 6061-T6 3000† psi • 20.7 MPa | | | | | | | | | | | | | | | | | | | | | | | | | | | | | | | | | | | | | | | | | | | | | | | | | | | | | | | | | | | | | | | | | | | | | |
| D | Ductile Iron - D4512 5000† psi • 34.5 MPa | | | | | | | | | | | | | | | | | | | | | | | | | | | | | | | | | | | | | | | | | | | | | | | | | | | | | | | | | | | | | | | | | | | | | |
| † Working pressure should be considered in accordance with ISO 4413 to determine appropriate material type. | | | | | | | | | | | | | | | | | | | | | | | | | | | | | | | | | | | | | | | | | | | | | | | | | | | | | | | | | | | | | | | | | | | | | | |
| Valve Pattern | | | | | | | | | | | | | | | | | | | | | | | | | | | | | | | | | | | | | | | | | | | | | | | | | | | | | | | | | | | | | | | | | | | | | | |
| D05 | ISO-4401-05-04 NFPA T3.5.1-D05 See Tech Information | | | | | | | | | | | | | | | | | | | | | | | | | | | | | | | | | | | | | | | | | | | | | | | | | | | | | | | | | | | | | | | | | | | | | |
| Circuit | | | | | | | | | | | | | | | | | | | | | | | | | | | | | | | | | | | | | | | | | | | | | | | | | | | | | | | | | | | | | | | | | | | | | | |
| S | Series Circuit Standard Flow | | | | | | | | | | | | | | | | | | | | | | | | | | | | | | | | | | | | | | | | | | | | | | | | | | | | | | | | | | | | | | | | | | | | | |
| No. of Stations | | | | | | | | | | | | | | | | | | | | | | | | | | | | | | | | | | | | | | | | | | | | | | | | | | | | | | | | | | | | | | | | | | | | | | |
| Aluminum | | | | | | | | | | | | | | | | | | | | | | | | | | | | | | | | | | | | | | | | | | | | | | | | | | | | | | | | | | | | | | | | | | | | | | |
| 02...04 | Available with spacing code 3 | | | | | | | | | | | | | | | | | | | | | | | | | | | | | | | | | | | | | | | | | | | | | | | | | | | | | | | | | | | | | | | | | | | | | |
| 02...04 | Available with spacing code 5 | | | | | | | | | | | | | | | | | | | | | | | | | | | | | | | | | | | | | | | | | | | | | | | | | | | | | | | | | | | | | | | | | | | | | |
| Ductile Iron | | | | | | | | | | | | | | | | | | | | | | | | | | | | | | | | | | | | | | | | | | | | | | | | | | | | | | | | | | | | | | | | | | | | | | |
| 02...04 | Available with spacing code 3 | | | | | | | | | | | | | | | | | | | | | | | | | | | | | | | | | | | | | | | | | | | | | | | | | | | | | | | | | | | | | | | | | | | | | |
| 02...04 | Available with spacing code 5 | | | | | | | | | | | | | | | | | | | | | | | | | | | | | | | | | | | | | | | | | | | | | | | | | | | | | | | | | | | | | | | | | | | | | |
| Valve Spacing | | | | | | | | | | | | | | | | | | | | | | | | | | | | | | | | | | | | | | | | | | | | | | | | | | | | | | | | | | | | | | | | | | | | | | |
| 3 | 3.25 inch 82.6 mm | | | | | | | | | | | | | | | | | | | | | | | | | | | | | | | | | | | | | | | | | | | | | | | | | | | | | | | | | | | | | | | | | | | | | |
| 5 | 5.00 inch 127.0 mm | | | | | | | | | | | | | | | | | | | | | | | | | | | | | | | | | | | | | | | | | | | | | | | | | | | | | | | | | | | | | | | | | | | | | |
| Port Threads | | | | | | | | | | | | | | | | | | | | | | | | | | | | | | | | | | | | | | | | | | | | | | | | | | | | | | | | | | | | | | | | | | | | | | |
| P | NPTF • ANSI B1.20.3 | P & T | A & B | | | | | | | | | | | | | | | | | | | | | | | | | | | | | | | | | | | | | | | | | | | | | | | | | | | | | | | | | | | | | | | | | | | |
| S | SAE • ISO 11926 | -12 | -8 | | | | | | | | | | | | | | | | | | | | | | | | | | | | | | | | | | | | | | | | | | | | | | | | | | | | | | | | | | | | | | | | | | | |
| B | BSPP • ISO 1179 | 0.75 | 0.50 | | | | | | | | | | | | | | | | | | | | | | | | | | | | | | | | | | | | | | | | | | | | | | | | | | | | | | | | | | | | | | | | | | | |
| M | ISO • ISO 6149 | M27 | M18 | | | | | | | | | | | | | | | | | | | | | | | | | | | | | | | | | | | | | | | | | | | | | | | | | | | | | | | | | | | | | | | | | | | |
| T | BSPT • ISO 7 | 0.75 | 0.50 | | | | | | | | | | | | | | | | | | | | | | | | | | | | | | | | | | | | | | | | | | | | | | | | | | | | | | | | | | | | | | | | | | | |
| Options | | | | | | | | | | | | | | | | | | | | | | | | | | | | | | | | | | | | | | | | | | | | | | | | | | | | | | | | | | | | | | | | | | | | | | |
| See next page for available options and ordering codes. | | | | | | | | | | | | | | | | | | | | | | | | | | | | | | | | | | | | | | | | | | | | | | | | | | | | | | | | | | | | | | | | | | | | | | |

Options - D05 Standard Flow Series Manifold



Series Circuit with Relief - (2) station

Series Circuit with Relief - (3) or (4) station



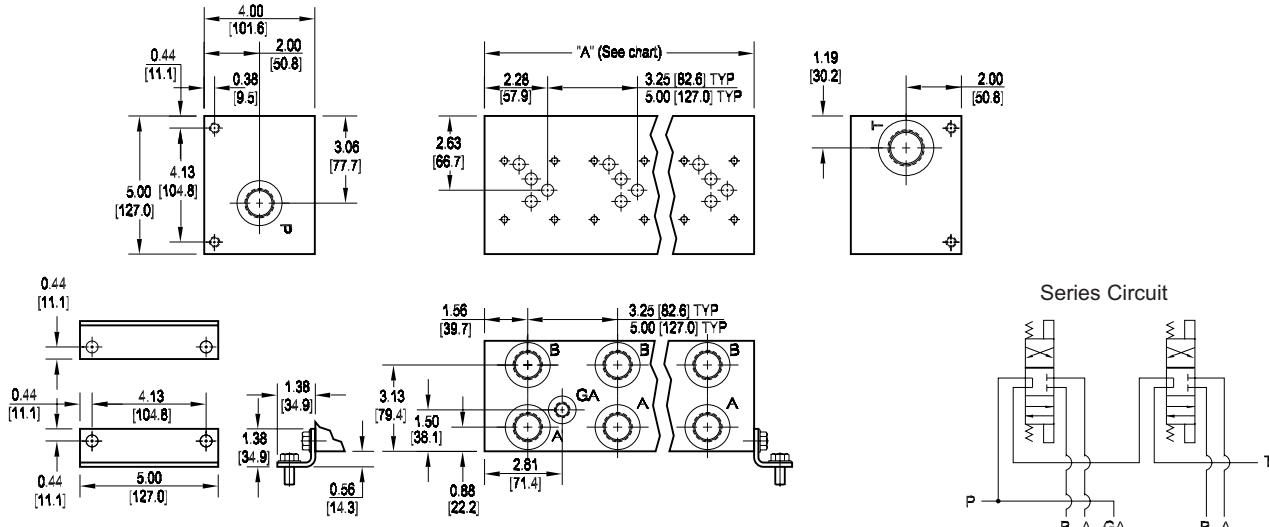
Ordering Information



| Relief Cavity | |
|------------------------------|---|
| Omit if relief not required. | |
| C | Common cavity C-10-2 (P in nose) |
| S | Sun Cavity T-3A (P in nose) See Tech Info for valves. |

| Port Code (ref.) | T2 Port Size |
|------------------|--------------------------|
| P | 0.50 NPTF • ANSI B1.20.3 |
| S | -8 SAE • ISO 11926 |
| B | 0.50 BSPP • ISO 1179 |
| M | M18 ISO • ISO 6149 |
| T | 0.50 BSPT • ISO 7 |

D05 High Flow Series Circuit Manifold



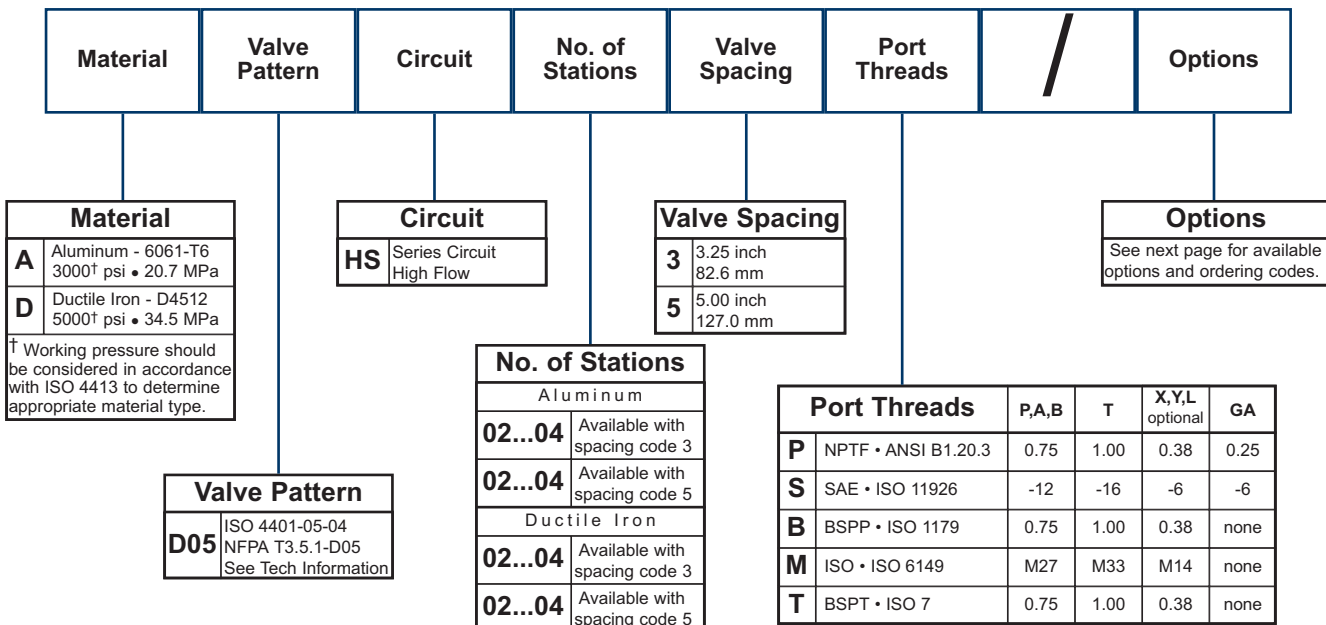
| No. of stations | 02 | 03 | 04 |
|---------------------------------------|-----------------|------------------|------------------|
| "A" length (code 3 spa.) inch [mm] | 6.50 [165.1] | 9.75 [247.7] | 13.00 [330.2] |
| apx. weight alum lb [kg] | 12 [5] | 17 [8] | 22 [10] |
| apx. weight iron lb [kg] | 38 [17] | 57 [26] | 75 [34] |
| "A" length (code 5 spa.) inch [mm] | 8.25 [209.6] | 13.25 [336.6] | 18.25 [463.6] |
| apx. weight alum lb [kg] | 18 [8] | 26 [12] | 33 [15] |
| apx. weight iron lb [kg] | 48 [22] | 77 [35] | 106 [48] |

All mounting hardware is supplied.
See page 62 for itemized list.

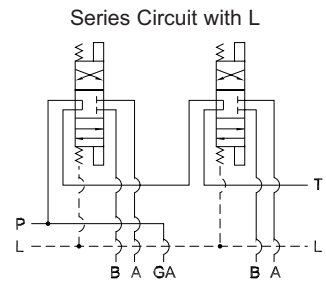
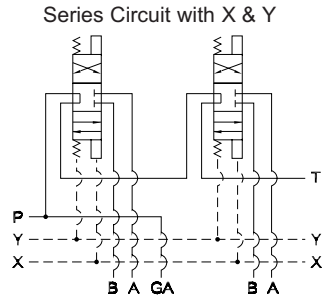
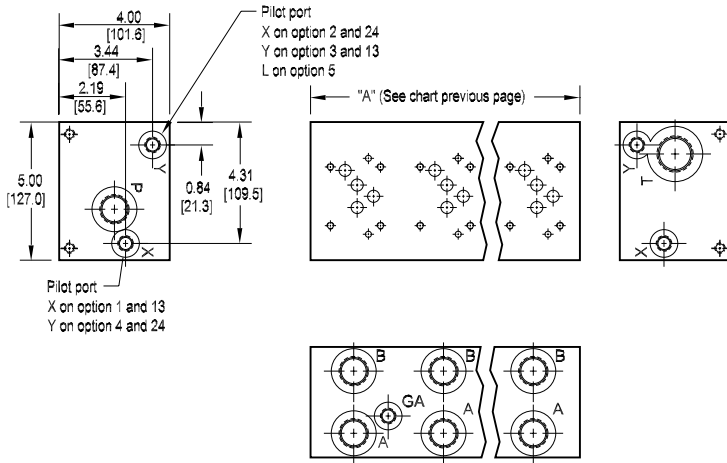
| Port code | Valve mtg. | Manifold mtg. |
|-----------|-------------------------------|-------------------------------|
| P, S | 0.25-20 UNC x 0.75 [19] DP | 0.38-16 UNC x 0.75 [19] DP |
| B, M, T | M6 ISO 6H x 0.75 [19] DP | M10 ISO 6H x 0.75 [19] DP |

Specifications, descriptions, and dimensional data are subject to correction or change without notice or incurring obligation.
Download latest catalog page revisions at www.damanifolds.com.

Ordering Information



Options - D05 High Flow Series Manifold

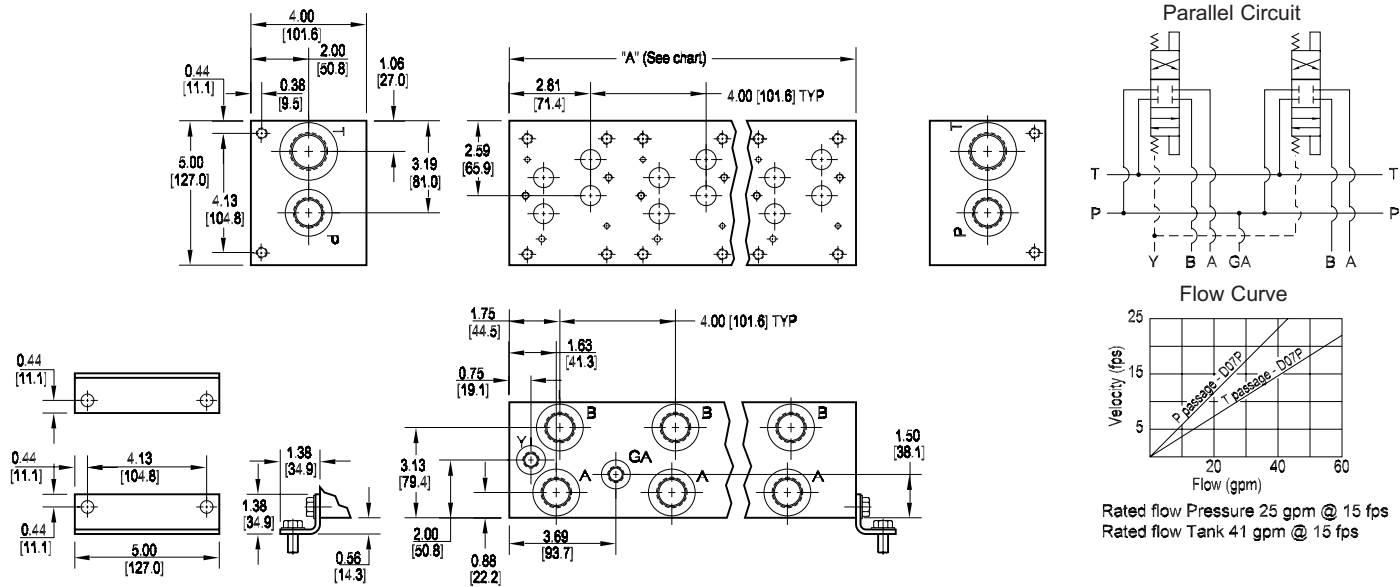


Ordering Information



| Pilot Ports | |
|----------------------------------|--|
| Omit if pilot ports not required | |
| 1 | X port (USA std) NFFPA T3.5.1-D05 Alt-B |
| 3 | Y port (USA std) NFFPA T3.5.1-D05 Alt-B |
| 13 | X & Y ports (USA std) NFFPA T3.5.1-D05 Alt-B |
| 2 | X port ISO 4401-05-05 NFFPA T3.5.1-D05 Alt-A |
| 4 | Y port ISO 4401-05-05 NFFPA T3.5.1-D05 Alt-A |
| 24 | X & Y ports ISO 4401-05-05 NFFPA T3.5.1-D05 Alt-A |
| 5 | L ports Proportional valves |

D07 Standard Flow Parallel Circuit Manifold



All mounting hardware is supplied.
See page 63 for itemized list.

| No. of stations | * 01 | 02 | 03 | 04 | 05 | 06 | 07 | 08 |
|---------------------------------------|-----------------|-----------------|------------------|------------------|------------------|------------------|------------------|------------------|
| "A" length (code 4 spa.) inch [mm] | 4.00 [101.6] | 8.00 [203.2] | 12.00 [304.8] | 16.00 [406.4] | 20.00 [508.0] | 24.00 [609.6] | 28.00 [711.2] | 32.00 [812.8] |
| apx. weight alum lb [kg] | 6 [3] | 14 [6] | 22 [10] | 30 [14] | 38 [17] | 46 [21] | 52 [24] | 60 [27] |
| apx. weight iron lb [kg] | 24 [11] | 46 [21] | 69 [31] | 90 [41] | 114 [52] | 135 [61] | 158 [72] | 180 [82] |

| Port code | Valve mtg. | Manifold mtg. |
|-----------|--|-------------------------------|
| P, S | 0.38-16 UNC x 1.00 [25] DP 0.25-20 UNC x 0.75 [19] DP | 0.38-16 UNC x 0.75 [19] DP |
| B, M, T | M10 ISO 6H x 1.00 [25] DP M6 ISO 6H x 0.75 [19] DP | M10 ISO 6H x 0.75 [19] DP |

Specifications, descriptions, and dimensional data are subject to correction or change without notice or incurring obligation.
Download latest catalog page revisions at www.damanifolds.com.

* Length of 01 sta. with "C" relief cavity 5.50 [139.7]. Gauge port not available on 01 station.

Ordering Information



| Material | |
|----------|--|
| A | Aluminum - 6061-T6 3000† psi • 20.7 MPa |
| D | Ductile Iron - D4512 5000† psi • 34.5 MPa |

† Working pressure should be considered in accordance with ISO 4413 to determine appropriate material type.

| Valve Pattern | |
|---------------|---|
| D07 | ISO 4401-07-06 NFPA T3.5.1-D07 See Tech Information |

| Circuit | |
|----------|------------------------------------|
| P | Parallel Manifold Standard Flow |

| No. of Stations | |
|-----------------|-------------------------------|
| Aluminum | |
| 01...08 | Available with spacing code 4 |
| Ductile Iron | |
| 01...08 | Available with spacing code 4 |

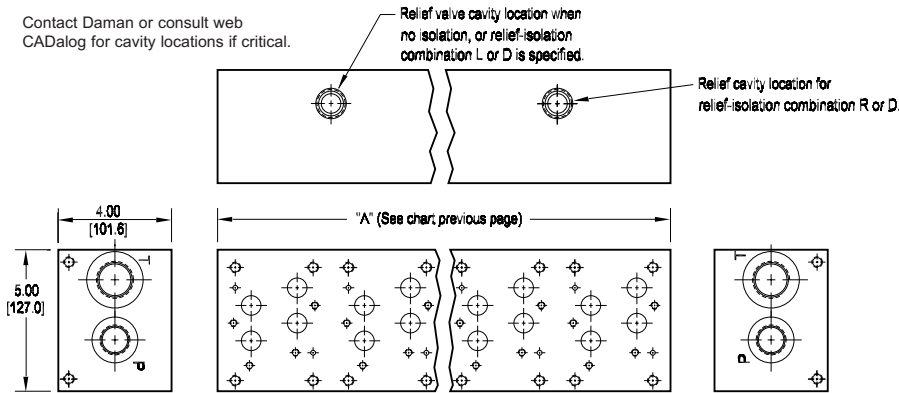
| Valve Spacing | |
|---------------|-----------------------|
| 4 | 4.00 inch 101.6 mm |

| Options | |
|---|--|
| See next page for available options and ordering codes. | |

| Port Threads | P,A,B | T | Y | X optional | GA |
|--------------|---------------------|------|------|------------|------|
| P | NPTF • ANSI B1.20.3 | 0.75 | 1.00 | 0.38 | 0.25 |
| S | SAE • ISO 11926 | -12 | -16 | -6 | -4 |
| B | BSPP • ISO 1179 | 0.75 | 1.00 | 0.38 | 0.25 |
| M | ISO • ISO 6149 | M27 | M33 | M14 | M10 |
| T | BSPT • ISO 7 | 0.75 | 1.00 | 0.38 | 0.25 |

Options - D07 Standard Flow Parallel Manifold

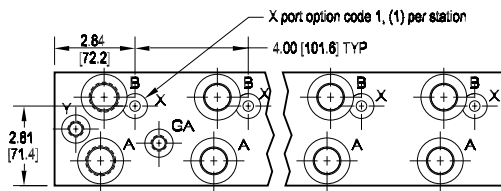
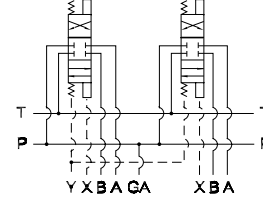
Contact Daman or consult web CADalog for cavity locations if critical.



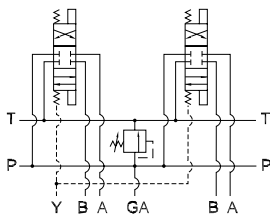
| ISOLATIONS | | |
|--|----------------------------------|--------------------------|
| Daman isolation options allow a manifold to have two independent pressure and/or tank ports. Isolations are drilled rather than plugged to ensure a leakproof and failproof isolation. | | |
| Ordering code letter: | * Isolation is between stations: | Available # of stations: |
| A | 01 & 02 | 02-08 |
| B | 02 & 03 | 03-08 |
| C | 03 & 04 | 04-08 |
| D | 04 & 05 | 05-08 |
| E | 05 & 06 | 06-08 |
| F | 06 & 07 | 07-08 |
| G | 07 & 08 | 08 |

* Stations are numbered left to right.

Parallel Circuit with X

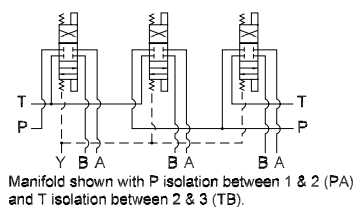


Parallel Circuit with Relief

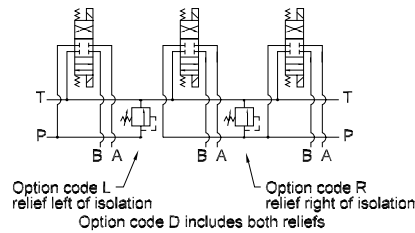


Valve with P in nose must be used.

Parallel Circuit with Isolations



Relief / Isolation Combination



NOTES:

- 1) The GA port is not available on a (1) station manifold.
- 2) The GA port is not available when a pressure isolation is located between stations 1 & 2.
- 3) Some combinations of relief cavities and isolations are not possible. Consult factory to determine availability.

Ordering Information

| | | | | | |
|-----|-------------|---------------|--------------------|----------------|--------------------|
| ... | Pilot Ports | Relief Cavity | Pressure Isolation | Tank Isolation | Relief & Isolation |
|-----|-------------|---------------|--------------------|----------------|--------------------|

| Pilot Ports | |
|------------------------------|--|
| Omit if X ports not required | |
| 1 | X port ISO 4401-07-06 NFPA T3.5.1-D07 |

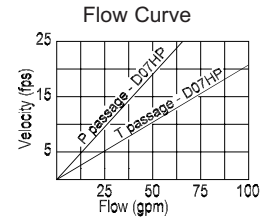
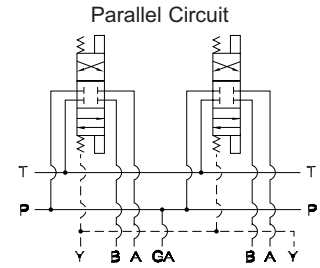
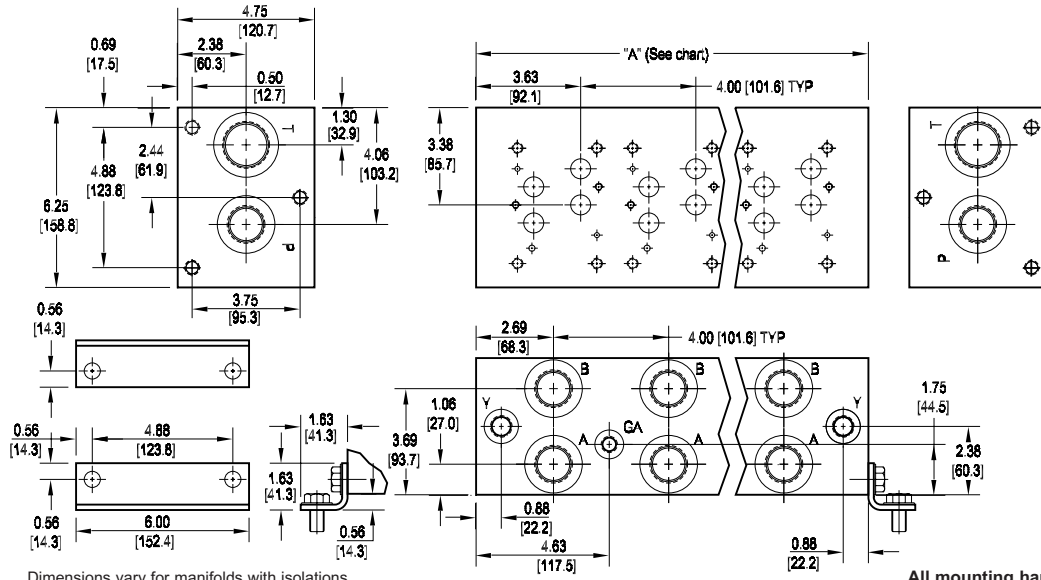
| Relief Cavity | |
|-----------------------------|---|
| Omit if relief not required | |
| C | Common cavity C-10-2 (P in nose) |
| S | Sun Cavity T-3A (P in nose) See Tech Info for valves. |

| Tank Isolation | |
|----------------------------------|-------------------------------|
| Omit if T isolation not required | |
| TA...TG | Available with spacing code 4 |

| Relief / Isolation Combination | |
|---|--|
| Specify when using both relief and isolation options. | |
| L | Relief cavity is located left of the isolation. |
| R | Relief cavity is located right of the isolation. |
| D | Two relief cavities, one each side of isolation. |

| Pressure Isolation | |
|----------------------------------|-------------------------------|
| Omit if P isolation not required | |
| PA...PG | Available with spacing code 4 |

D07 High Flow Parallel Circuit Manifold



Rated flow Pressure 41 gpm @ 15 fps
 Rated flow Tank 72 gpm @ 15 fps

All mounting hardware is supplied.
 See page 63 for itemized list.

| No. of stations | * 01 | 02 | 03 | 04 | 05 | 06 | 07 | 08 |
|---------------------------------------|-----------------|-----------------|------------------|------------------|------------------|------------------|------------------|------------------|
| "A" length (code 4 spa.) inch [mm] | 5.63 [142.9] | 9.63 [244.5] | 13.63 [346.1] | 17.63 [447.7] | 21.63 [549.3] | 25.63 [650.9] | 29.63 [752.5] | 33.63 [854.1] |
| apx. weight alum lb [kg] | 17 [8] | 29 [13] | 41 [18] | 52 [24] | 64 [29] | 76 [35] | 88 [40] | 100 [45] |
| apx. weight iron lb [kg] | 43 [20] | 74 [34] | 105 [47] | 136 [62] | 167 [76] | 198 [90] | 228 [103] | 260 [118] |

| Port code | Valve mtg. | Manifold mtg. |
|-----------|--|---------------------------------|
| P, S | 0.38-16 UNC x 1.00 [25] DP 0.25-20 UNC x 0.75 [19] DP | 0.50-13 UNC x 0.88 [22.3] DP |
| B, M, T | M10 ISO 6H x 1.00 [25] DP M6 ISO 6H x 0.75 [19] DP | M12 ISO 6H x 0.88 [22.3] DP |

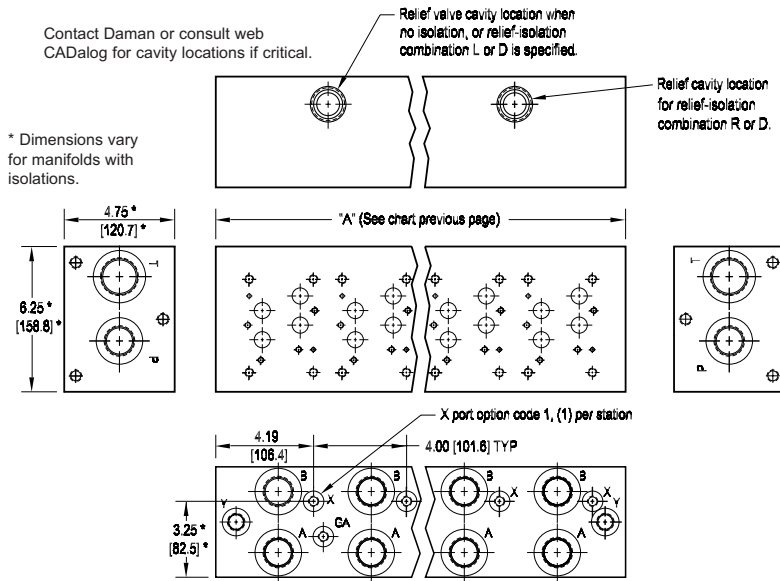
* Length of 01 station with Sun relief cavity 7.00 [177.8]. Length of 01 station with Common relief cavity 6.75 [171.5]. Gauge port not available on 01 station.

Specifications, descriptions, and dimensional data are subject to correction or change without notice or incurring obligation. Download latest catalog page revisions at www.damanifolds.com.

Ordering Information

| Material | Valve Pattern | Circuit | No. of Stations | Valve Spacing | Port Threads | Options | | | | | | | | | | | | | | | | | | | | | | | | | | | | | | | | | | | | | | | | | | | | | | | | | | | | | | | | | | | | | | | | | | | | | | | | | | | | | | | | | | | |
|--|---|---------|-----------------|--|--------------|--|---|--|---|---------------|--|------------|---|---|---------|--|-----------|-------------------------------|---|-----------------|--|----------|--|----------------|-------------------------------|--------------|--|----------------|-------------------------------|--|---------------|--|----------|-----------------------|--|--------------|--|--|--|--|--|--|--|-------|---|---|------------|----|--|----------|---------------------|------|------|------|------|------|----------|-----------------|-----|-----|----|----|----|----------|-----------------|------|------|------|------|------|----------|----------------|-----|-----|-----|-----|------|----------|--------------|------|------|------|------|------|---|---------|--|---|--|
| <table border="1" style="width: 100%; border-collapse: collapse;"> <thead> <tr> <th colspan="2">Material</th> </tr> </thead> <tbody> <tr> <td style="text-align: center;">A</td> <td>Aluminum - 6061-T6 3000† psi • 20.7 MPa</td> </tr> <tr> <td style="text-align: center;">D</td> <td>Ductile Iron - D4512 5000† psi • 34.5 MPa</td> </tr> <tr> <td colspan="2">† Working pressure should be considered in accordance with ISO 4413 to determine appropriate material type.</td> </tr> </tbody> </table> | Material | | A | Aluminum - 6061-T6 3000† psi • 20.7 MPa | D | Ductile Iron - D4512 5000† psi • 34.5 MPa | † Working pressure should be considered in accordance with ISO 4413 to determine appropriate material type. | | <table border="1" style="width: 100%; border-collapse: collapse;"> <thead> <tr> <th colspan="2">Valve Pattern</th> </tr> </thead> <tbody> <tr> <td style="text-align: center;">D07</td> <td>ISO 4401-07-06 NFPA T3.5.1-D07 See Tech information</td> </tr> </tbody> </table> | Valve Pattern | | D07 | ISO 4401-07-06 NFPA T3.5.1-D07 See Tech information | <table border="1" style="width: 100%; border-collapse: collapse;"> <thead> <tr> <th colspan="2">Circuit</th> </tr> </thead> <tbody> <tr> <td style="text-align: center;">HP</td> <td>Parallel Circuit High Flow</td> </tr> </tbody> </table> | Circuit | | HP | Parallel Circuit High Flow | <table border="1" style="width: 100%; border-collapse: collapse;"> <thead> <tr> <th colspan="2">No. of Stations</th> </tr> </thead> <tbody> <tr> <td colspan="2" style="text-align: center;">Aluminum</td> </tr> <tr> <td style="text-align: center;">01...08</td> <td>Available with spacing code 4</td> </tr> <tr> <td colspan="2" style="text-align: center;">Ductile Iron</td> </tr> <tr> <td style="text-align: center;">01...08</td> <td>Available with spacing code 4</td> </tr> </tbody> </table> | No. of Stations | | Aluminum | | 01...08 | Available with spacing code 4 | Ductile Iron | | 01...08 | Available with spacing code 4 | <table border="1" style="width: 100%; border-collapse: collapse;"> <thead> <tr> <th colspan="2">Valve Spacing</th> </tr> </thead> <tbody> <tr> <td style="text-align: center;">4</td> <td>4.00 inch 101.6 mm</td> </tr> </tbody> </table> | Valve Spacing | | 4 | 4.00 inch 101.6 mm | <table border="1" style="width: 100%; border-collapse: collapse;"> <thead> <tr> <th colspan="7">Port Threads</th> </tr> <tr> <th></th> <th>P,A,B</th> <th>T</th> <th>Y</th> <th>X optional</th> <th>GA</th> <th></th> </tr> </thead> <tbody> <tr> <td style="text-align: center;">P</td> <td>NPTF • ANSI B1.20.3</td> <td>1.00</td> <td>1.25</td> <td>0.50</td> <td>0.25</td> <td>0.25</td> </tr> <tr> <td style="text-align: center;">S</td> <td>SAE • ISO 11926</td> <td>-16</td> <td>-20</td> <td>-8</td> <td>-4</td> <td>-6</td> </tr> <tr> <td style="text-align: center;">B</td> <td>BSPP • ISO 1179</td> <td>1.00</td> <td>1.25</td> <td>0.50</td> <td>0.25</td> <td>none</td> </tr> <tr> <td style="text-align: center;">M</td> <td>ISO • ISO 6149</td> <td>M33</td> <td>M42</td> <td>M16</td> <td>M10</td> <td>none</td> </tr> <tr> <td style="text-align: center;">T</td> <td>BSPT • ISO 7</td> <td>1.00</td> <td>1.25</td> <td>0.50</td> <td>0.25</td> <td>none</td> </tr> </tbody> </table> | Port Threads | | | | | | | | P,A,B | T | Y | X optional | GA | | P | NPTF • ANSI B1.20.3 | 1.00 | 1.25 | 0.50 | 0.25 | 0.25 | S | SAE • ISO 11926 | -16 | -20 | -8 | -4 | -6 | B | BSPP • ISO 1179 | 1.00 | 1.25 | 0.50 | 0.25 | none | M | ISO • ISO 6149 | M33 | M42 | M16 | M10 | none | T | BSPT • ISO 7 | 1.00 | 1.25 | 0.50 | 0.25 | none | <table border="1" style="width: 100%; border-collapse: collapse;"> <thead> <tr> <th colspan="2">Options</th> </tr> </thead> <tbody> <tr> <td colspan="2">See next page for available options and ordering codes.</td> </tr> </tbody> </table> | Options | | See next page for available options and ordering codes. | |
| Material | | | | | | | | | | | | | | | | | | | | | | | | | | | | | | | | | | | | | | | | | | | | | | | | | | | | | | | | | | | | | | | | | | | | | | | | | | | | | | | | | | | | | | | | | |
| A | Aluminum - 6061-T6 3000† psi • 20.7 MPa | | | | | | | | | | | | | | | | | | | | | | | | | | | | | | | | | | | | | | | | | | | | | | | | | | | | | | | | | | | | | | | | | | | | | | | | | | | | | | | | | | | | | | | | |
| D | Ductile Iron - D4512 5000† psi • 34.5 MPa | | | | | | | | | | | | | | | | | | | | | | | | | | | | | | | | | | | | | | | | | | | | | | | | | | | | | | | | | | | | | | | | | | | | | | | | | | | | | | | | | | | | | | | | |
| † Working pressure should be considered in accordance with ISO 4413 to determine appropriate material type. | | | | | | | | | | | | | | | | | | | | | | | | | | | | | | | | | | | | | | | | | | | | | | | | | | | | | | | | | | | | | | | | | | | | | | | | | | | | | | | | | | | | | | | | | |
| Valve Pattern | | | | | | | | | | | | | | | | | | | | | | | | | | | | | | | | | | | | | | | | | | | | | | | | | | | | | | | | | | | | | | | | | | | | | | | | | | | | | | | | | | | | | | | | | |
| D07 | ISO 4401-07-06 NFPA T3.5.1-D07 See Tech information | | | | | | | | | | | | | | | | | | | | | | | | | | | | | | | | | | | | | | | | | | | | | | | | | | | | | | | | | | | | | | | | | | | | | | | | | | | | | | | | | | | | | | | | |
| Circuit | | | | | | | | | | | | | | | | | | | | | | | | | | | | | | | | | | | | | | | | | | | | | | | | | | | | | | | | | | | | | | | | | | | | | | | | | | | | | | | | | | | | | | | | | |
| HP | Parallel Circuit High Flow | | | | | | | | | | | | | | | | | | | | | | | | | | | | | | | | | | | | | | | | | | | | | | | | | | | | | | | | | | | | | | | | | | | | | | | | | | | | | | | | | | | | | | | | |
| No. of Stations | | | | | | | | | | | | | | | | | | | | | | | | | | | | | | | | | | | | | | | | | | | | | | | | | | | | | | | | | | | | | | | | | | | | | | | | | | | | | | | | | | | | | | | | | |
| Aluminum | | | | | | | | | | | | | | | | | | | | | | | | | | | | | | | | | | | | | | | | | | | | | | | | | | | | | | | | | | | | | | | | | | | | | | | | | | | | | | | | | | | | | | | | | |
| 01...08 | Available with spacing code 4 | | | | | | | | | | | | | | | | | | | | | | | | | | | | | | | | | | | | | | | | | | | | | | | | | | | | | | | | | | | | | | | | | | | | | | | | | | | | | | | | | | | | | | | | |
| Ductile Iron | | | | | | | | | | | | | | | | | | | | | | | | | | | | | | | | | | | | | | | | | | | | | | | | | | | | | | | | | | | | | | | | | | | | | | | | | | | | | | | | | | | | | | | | | |
| 01...08 | Available with spacing code 4 | | | | | | | | | | | | | | | | | | | | | | | | | | | | | | | | | | | | | | | | | | | | | | | | | | | | | | | | | | | | | | | | | | | | | | | | | | | | | | | | | | | | | | | | |
| Valve Spacing | | | | | | | | | | | | | | | | | | | | | | | | | | | | | | | | | | | | | | | | | | | | | | | | | | | | | | | | | | | | | | | | | | | | | | | | | | | | | | | | | | | | | | | | | |
| 4 | 4.00 inch 101.6 mm | | | | | | | | | | | | | | | | | | | | | | | | | | | | | | | | | | | | | | | | | | | | | | | | | | | | | | | | | | | | | | | | | | | | | | | | | | | | | | | | | | | | | | | | |
| Port Threads | | | | | | | | | | | | | | | | | | | | | | | | | | | | | | | | | | | | | | | | | | | | | | | | | | | | | | | | | | | | | | | | | | | | | | | | | | | | | | | | | | | | | | | | | |
| | P,A,B | T | Y | X optional | GA | | | | | | | | | | | | | | | | | | | | | | | | | | | | | | | | | | | | | | | | | | | | | | | | | | | | | | | | | | | | | | | | | | | | | | | | | | | | | | | | | | | | |
| P | NPTF • ANSI B1.20.3 | 1.00 | 1.25 | 0.50 | 0.25 | 0.25 | | | | | | | | | | | | | | | | | | | | | | | | | | | | | | | | | | | | | | | | | | | | | | | | | | | | | | | | | | | | | | | | | | | | | | | | | | | | | | | | | | | |
| S | SAE • ISO 11926 | -16 | -20 | -8 | -4 | -6 | | | | | | | | | | | | | | | | | | | | | | | | | | | | | | | | | | | | | | | | | | | | | | | | | | | | | | | | | | | | | | | | | | | | | | | | | | | | | | | | | | | |
| B | BSPP • ISO 1179 | 1.00 | 1.25 | 0.50 | 0.25 | none | | | | | | | | | | | | | | | | | | | | | | | | | | | | | | | | | | | | | | | | | | | | | | | | | | | | | | | | | | | | | | | | | | | | | | | | | | | | | | | | | | | |
| M | ISO • ISO 6149 | M33 | M42 | M16 | M10 | none | | | | | | | | | | | | | | | | | | | | | | | | | | | | | | | | | | | | | | | | | | | | | | | | | | | | | | | | | | | | | | | | | | | | | | | | | | | | | | | | | | | |
| T | BSPT • ISO 7 | 1.00 | 1.25 | 0.50 | 0.25 | none | | | | | | | | | | | | | | | | | | | | | | | | | | | | | | | | | | | | | | | | | | | | | | | | | | | | | | | | | | | | | | | | | | | | | | | | | | | | | | | | | | | |
| Options | | | | | | | | | | | | | | | | | | | | | | | | | | | | | | | | | | | | | | | | | | | | | | | | | | | | | | | | | | | | | | | | | | | | | | | | | | | | | | | | | | | | | | | | | |
| See next page for available options and ordering codes. | | | | | | | | | | | | | | | | | | | | | | | | | | | | | | | | | | | | | | | | | | | | | | | | | | | | | | | | | | | | | | | | | | | | | | | | | | | | | | | | | | | | | | | | | |

Options - D07 High Flow Parallel Manifold

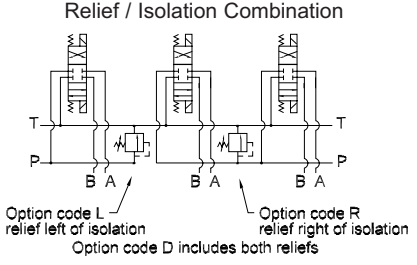
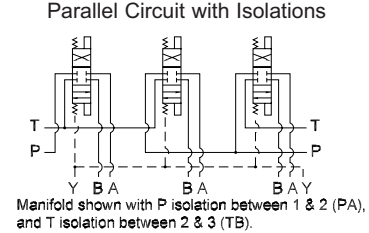
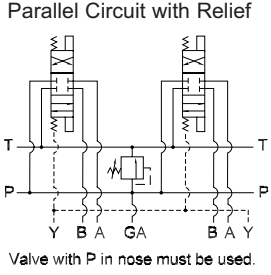
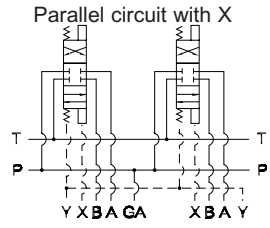


ISOLATIONS

Daman isolation options allow a manifold to have two independent pressure and/or tank ports. Isolations are drilled rather than plugged to ensure a leakproof and failproof isolation.

| Ordering code letter: | * Isolation is between stations: | Available # of stations: |
|-----------------------|----------------------------------|--------------------------|
| A | 01 & 02 | 02-08 |
| B | 02 & 03 | 03-08 |
| C | 03 & 04 | 04-08 |
| D | 04 & 05 | 05-08 |
| E | 05 & 06 | 06-08 |
| F | 06 & 07 | 07-08 |
| G | 07 & 08 | 08 |

* Stations are numbered left to right.

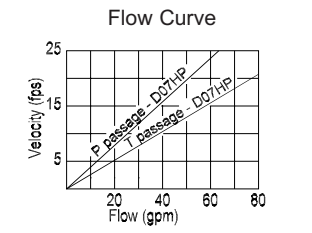
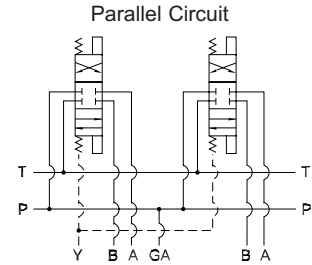
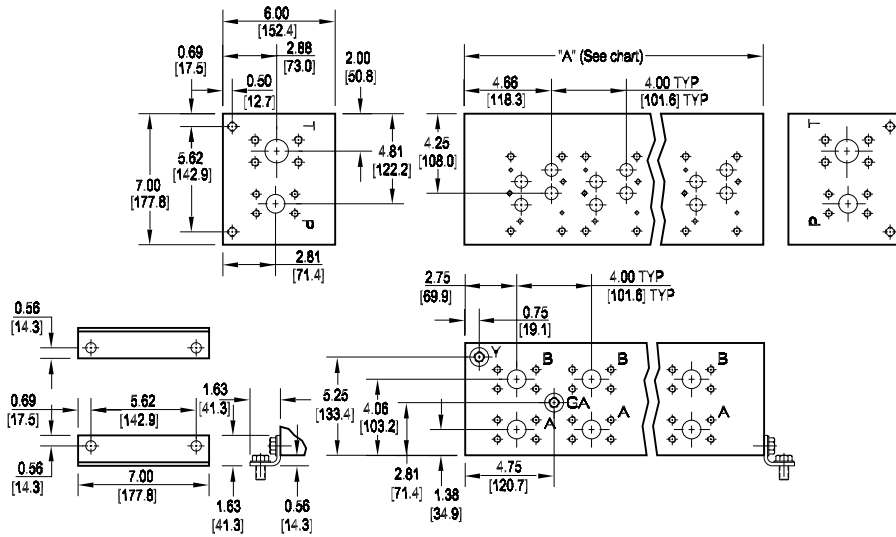


- #### NOTES:
- 1) The GA port is not available on a (1) station manifold.
 - 2) The GA port is not available when a pressure isolation is located between stations 1 & 2.
 - 3) Some combinations of relief cavities and isolations are not possible. Consult factory to determine availability.

Ordering Information

| ... | Pilot Ports | Relief Cavity | Pressure Isolation | Tank Isolation | Relief & Isolation | | | | | | | | | | | | | | | | | | |
|---|---|---------------|------------------------------|--|---|---------------|-----------------------------|---|---|--|--------------------|----------------------------------|--|--|----------------|----------------------------------|--|---|--------------------------------|---|--|---|---|
| | <table border="1"> <tr><th>Pilot Ports</th></tr> <tr><td>Omit if X ports not required</td></tr> <tr><td>1 X port ISO 4401-07-06 NFPA T3.5.1-D07</td></tr> </table> | Pilot Ports | Omit if X ports not required | 1 X port ISO 4401-07-06 NFPA T3.5.1-D07 | <table border="1"> <tr><th>Relief Cavity</th></tr> <tr><td>Omit if relief not required</td></tr> <tr><td>C Common cavity C-16-2 (P in nose)</td></tr> <tr><td>S Sun Cavity T-16A (P in nose) See Tech Info for valves.</td></tr> </table> | Relief Cavity | Omit if relief not required | C Common cavity C-16-2 (P in nose) | S Sun Cavity T-16A (P in nose) See Tech Info for valves. | <table border="1"> <tr><th>Pressure Isolation</th></tr> <tr><td>Omit if P isolation not required</td></tr> <tr><td>PA...PG Available with spacing code 4</td></tr> </table> | Pressure Isolation | Omit if P isolation not required | PA...PG Available with spacing code 4 | <table border="1"> <tr><th>Tank Isolation</th></tr> <tr><td>Omit if T isolation not required</td></tr> <tr><td>TA...TG Available with spacing code 4</td></tr> </table> | Tank Isolation | Omit if T isolation not required | TA...TG Available with spacing code 4 | <table border="1"> <tr><th>Relief / Isolation Combination</th></tr> <tr><td>Specify when using both relief and isolation options.</td></tr> <tr><td>L Relief cavity is located left of the isolation.</td></tr> <tr><td>R Relief cavity is located right of the isolation.</td></tr> <tr><td>D Two relief cavities, one each side of isolation.</td></tr> </table> | Relief / Isolation Combination | Specify when using both relief and isolation options. | L Relief cavity is located left of the isolation. | R Relief cavity is located right of the isolation. | D Two relief cavities, one each side of isolation. |
| Pilot Ports | | | | | | | | | | | | | | | | | | | | | | | |
| Omit if X ports not required | | | | | | | | | | | | | | | | | | | | | | | |
| 1 X port ISO 4401-07-06 NFPA T3.5.1-D07 | | | | | | | | | | | | | | | | | | | | | | | |
| Relief Cavity | | | | | | | | | | | | | | | | | | | | | | | |
| Omit if relief not required | | | | | | | | | | | | | | | | | | | | | | | |
| C Common cavity C-16-2 (P in nose) | | | | | | | | | | | | | | | | | | | | | | | |
| S Sun Cavity T-16A (P in nose) See Tech Info for valves. | | | | | | | | | | | | | | | | | | | | | | | |
| Pressure Isolation | | | | | | | | | | | | | | | | | | | | | | | |
| Omit if P isolation not required | | | | | | | | | | | | | | | | | | | | | | | |
| PA...PG Available with spacing code 4 | | | | | | | | | | | | | | | | | | | | | | | |
| Tank Isolation | | | | | | | | | | | | | | | | | | | | | | | |
| Omit if T isolation not required | | | | | | | | | | | | | | | | | | | | | | | |
| TA...TG Available with spacing code 4 | | | | | | | | | | | | | | | | | | | | | | | |
| Relief / Isolation Combination | | | | | | | | | | | | | | | | | | | | | | | |
| Specify when using both relief and isolation options. | | | | | | | | | | | | | | | | | | | | | | | |
| L Relief cavity is located left of the isolation. | | | | | | | | | | | | | | | | | | | | | | | |
| R Relief cavity is located right of the isolation. | | | | | | | | | | | | | | | | | | | | | | | |
| D Two relief cavities, one each side of isolation. | | | | | | | | | | | | | | | | | | | | | | | |

D07 High Flow Parallel Circuit Manifold - Flange Ports



| No. of stations | * 01 | 02 | 03 | 04 | 05 | 06 |
|-----------------------------|-----------------|------------------|------------------|------------------|------------------|------------------|
| "A" length inch [mm] | 6.63 [168.3] | 10.63 [269.9] | 14.63 [371.5] | 18.63 [473.1] | 22.63 [574.7] | 26.63 [676.3] |
| apx. weight alum lb [kg] | 28 [12.6] | 45 [20] | 61 [28] | 78 [36] | 95 [43] | 112 [51] |
| apx. weight iron lb [kg] | 75 [34] | 120 [55] | 166 [75] | 211 [96] | 257 [116] | 302 [137] |

* Length of 01 station with relief cavity 7.13 [181.0]. Gauge port not available on 01 station.

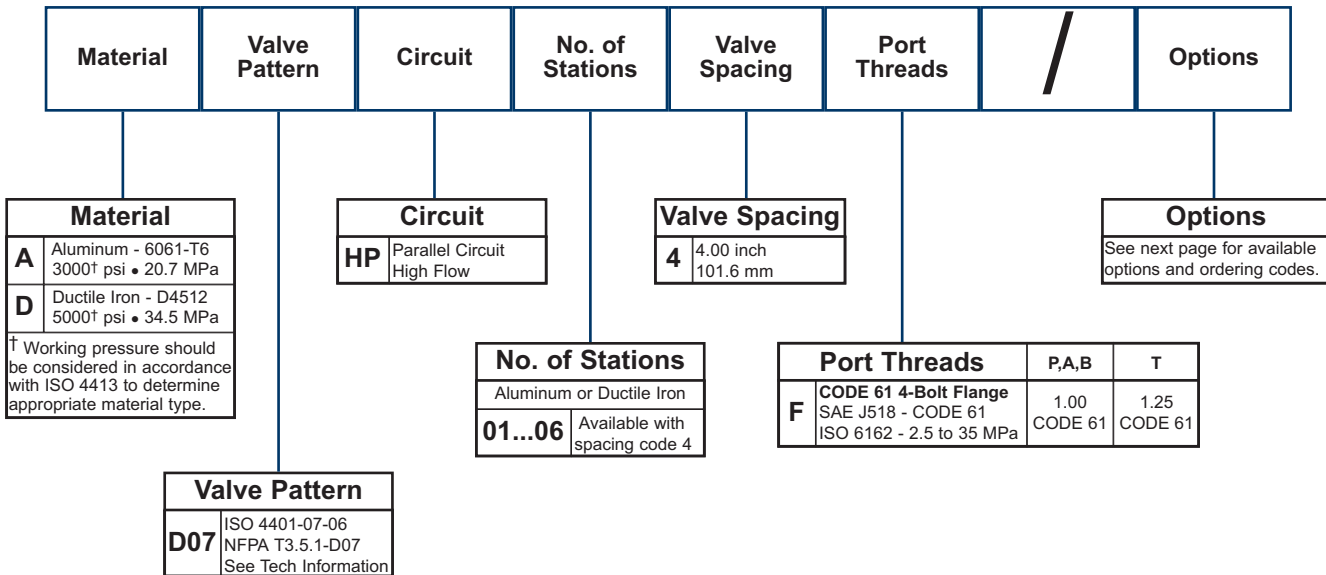
All mounting hardware is supplied.
See page 63 for itemized list.

| Port code | Valve mtg. | Manifold mtg. | Flange mtg. | GA Port | Y Port | X Port * |
|-----------|----------------------------|--|--------------------------|--------------|--------------|--------------|
| F | 0.38-16 UNC x 1.00 [25] DP | 0.50-13 UNC x 0.25-20 UNC x 0.75 [19] DP | ISO 6162 Type II - Inch | -6 SAE J1926 | -6 SAE J1926 | -4 SAE J1926 |
| | M10 ISO 6H x 1.00 [25] DP | M12 ISO 6H x 0.88 [22] DP | ISO 6162 Type I - metric | NONE | M14 ISO 6149 | M10 ISO 6149 |

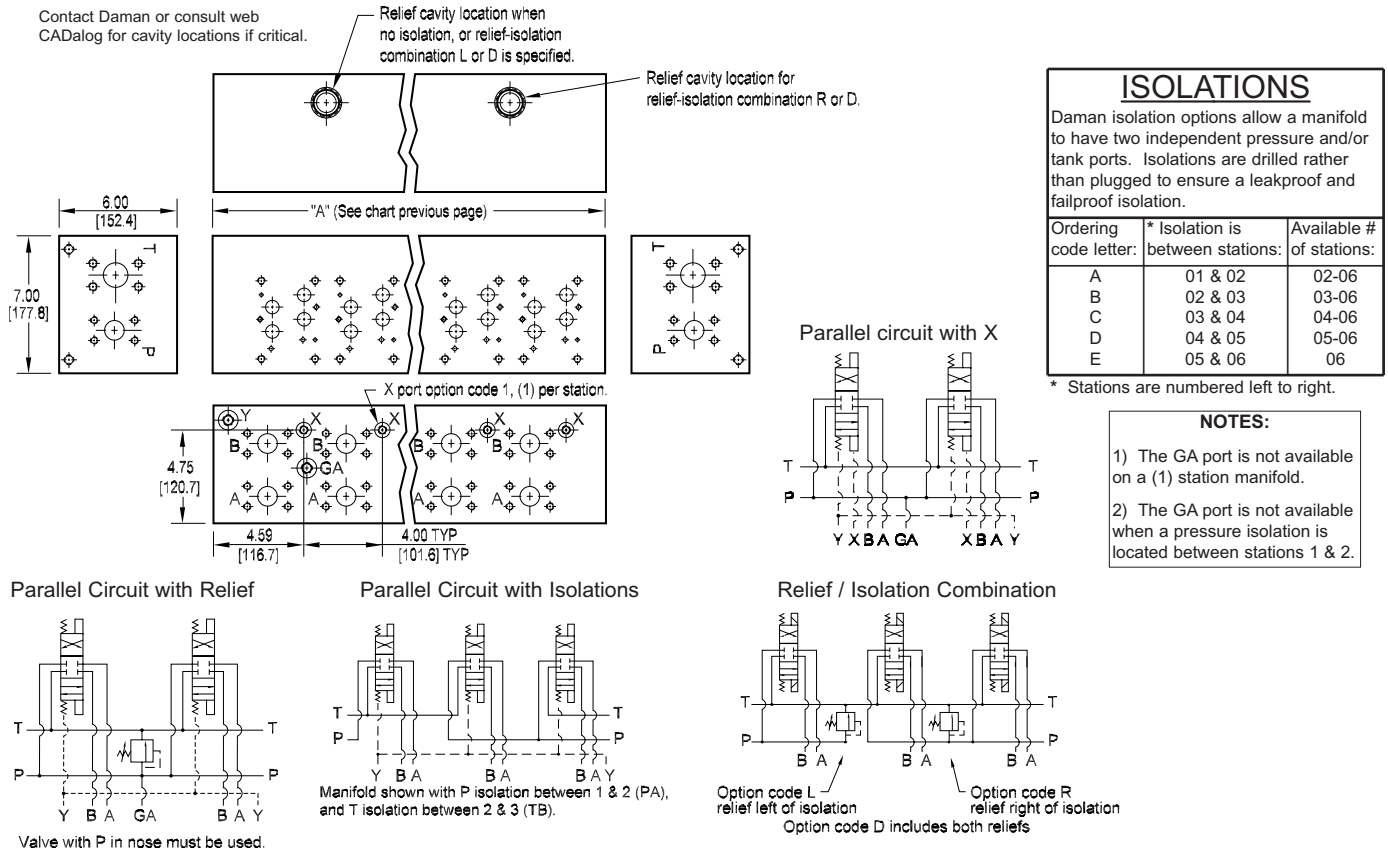
* X port is optional. See options on next page.

Specifications, descriptions, and dimensional data are subject to correction or change without notice or incurring obligation.
Download latest catalog page revisions at www.damanifolds.com.

Ordering Information



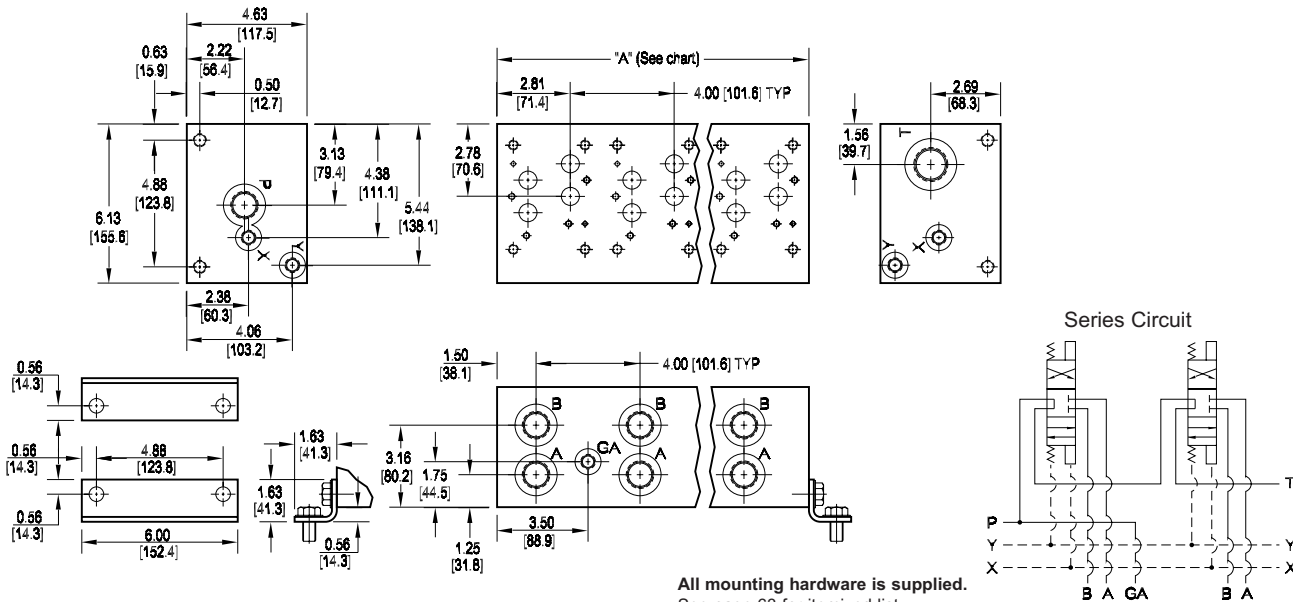
Options - D07 High Flow Parallel Manifold Flange Ports



Ordering Information

| ■ ■ ■ / | Thread Type | Pilot Ports | Relief Cavity | Pressure Isolation | Tank Isolation | Relief & Isolation | | | | | | | | | | | | | | | | | | | | | | | | | | | | | | | | | | | | | | | | | | |
|---|--|-------------|---------------|--------------------|----------------------|--------------------|------------------------|---|-------------|--|------------------------------|--|---|--|---|---------------|--|-----------------------------|--|---|-------------------------------------|---|--|--|--------------------|--|----------------------------------|--|---------|-------------------------------|--|----------------|--|----------------------------------|--|---------|-------------------------------|---|--------------------------------|--|---|--|---|---|---|--|---|--|
| | <table border="1"> <thead> <tr> <th colspan="2">Thread Type</th> </tr> </thead> <tbody> <tr> <td>Omit</td> <td>Inch threads / ports</td> </tr> <tr> <td>M</td> <td>Metric threads / ports</td> </tr> </tbody> </table> | Thread Type | | Omit | Inch threads / ports | M | Metric threads / ports | <table border="1"> <thead> <tr> <th colspan="2">Pilot Ports</th> </tr> </thead> <tbody> <tr> <td colspan="2">Omit if X ports not required</td> </tr> <tr> <td>1</td> <td>X port ISO 4401-07-06 NFPA T3.5.1-D07</td> </tr> </tbody> </table> | Pilot Ports | | Omit if X ports not required | | 1 | X port ISO 4401-07-06 NFPA T3.5.1-D07 | <table border="1"> <thead> <tr> <th colspan="2">Relief Cavity</th> </tr> </thead> <tbody> <tr> <td colspan="2">Omit if relief not required</td> </tr> <tr> <td>C</td> <td>Common cavity C-16-2 (P in nose)</td> </tr> <tr> <td>S</td> <td>Sun Cavity T-16A (P in nose) See Tech Info for valves.</td> </tr> </tbody> </table> | Relief Cavity | | Omit if relief not required | | C | Common cavity C-16-2 (P in nose) | S | Sun Cavity T-16A (P in nose) See Tech Info for valves. | <table border="1"> <thead> <tr> <th colspan="2">Pressure Isolation</th> </tr> </thead> <tbody> <tr> <td colspan="2">Omit if P isolation not required</td> </tr> <tr> <td>PA...PE</td> <td>Available with spacing code 4</td> </tr> </tbody> </table> | Pressure Isolation | | Omit if P isolation not required | | PA...PE | Available with spacing code 4 | <table border="1"> <thead> <tr> <th colspan="2">Tank Isolation</th> </tr> </thead> <tbody> <tr> <td colspan="2">Omit if T isolation not required</td> </tr> <tr> <td>TA...TE</td> <td>Available with spacing code 4</td> </tr> </tbody> </table> | Tank Isolation | | Omit if T isolation not required | | TA...TE | Available with spacing code 4 | <table border="1"> <thead> <tr> <th colspan="2">Relief / Isolation Combination</th> </tr> </thead> <tbody> <tr> <td colspan="2">Specify when using both relief and isolation options.</td> </tr> <tr> <td>L</td> <td>Relief cavity is located left of the isolation.</td> </tr> <tr> <td>R</td> <td>Relief cavity is located right of the isolation.</td> </tr> <tr> <td>D</td> <td>Two relief cavities, one each side of isolation.</td> </tr> </tbody> </table> | Relief / Isolation Combination | | Specify when using both relief and isolation options. | | L | Relief cavity is located left of the isolation. | R | Relief cavity is located right of the isolation. | D | Two relief cavities, one each side of isolation. |
| Thread Type | | | | | | | | | | | | | | | | | | | | | | | | | | | | | | | | | | | | | | | | | | | | | | | | |
| Omit | Inch threads / ports | | | | | | | | | | | | | | | | | | | | | | | | | | | | | | | | | | | | | | | | | | | | | | | |
| M | Metric threads / ports | | | | | | | | | | | | | | | | | | | | | | | | | | | | | | | | | | | | | | | | | | | | | | | |
| Pilot Ports | | | | | | | | | | | | | | | | | | | | | | | | | | | | | | | | | | | | | | | | | | | | | | | | |
| Omit if X ports not required | | | | | | | | | | | | | | | | | | | | | | | | | | | | | | | | | | | | | | | | | | | | | | | | |
| 1 | X port ISO 4401-07-06 NFPA T3.5.1-D07 | | | | | | | | | | | | | | | | | | | | | | | | | | | | | | | | | | | | | | | | | | | | | | | |
| Relief Cavity | | | | | | | | | | | | | | | | | | | | | | | | | | | | | | | | | | | | | | | | | | | | | | | | |
| Omit if relief not required | | | | | | | | | | | | | | | | | | | | | | | | | | | | | | | | | | | | | | | | | | | | | | | | |
| C | Common cavity C-16-2 (P in nose) | | | | | | | | | | | | | | | | | | | | | | | | | | | | | | | | | | | | | | | | | | | | | | | |
| S | Sun Cavity T-16A (P in nose) See Tech Info for valves. | | | | | | | | | | | | | | | | | | | | | | | | | | | | | | | | | | | | | | | | | | | | | | | |
| Pressure Isolation | | | | | | | | | | | | | | | | | | | | | | | | | | | | | | | | | | | | | | | | | | | | | | | | |
| Omit if P isolation not required | | | | | | | | | | | | | | | | | | | | | | | | | | | | | | | | | | | | | | | | | | | | | | | | |
| PA...PE | Available with spacing code 4 | | | | | | | | | | | | | | | | | | | | | | | | | | | | | | | | | | | | | | | | | | | | | | | |
| Tank Isolation | | | | | | | | | | | | | | | | | | | | | | | | | | | | | | | | | | | | | | | | | | | | | | | | |
| Omit if T isolation not required | | | | | | | | | | | | | | | | | | | | | | | | | | | | | | | | | | | | | | | | | | | | | | | | |
| TA...TE | Available with spacing code 4 | | | | | | | | | | | | | | | | | | | | | | | | | | | | | | | | | | | | | | | | | | | | | | | |
| Relief / Isolation Combination | | | | | | | | | | | | | | | | | | | | | | | | | | | | | | | | | | | | | | | | | | | | | | | | |
| Specify when using both relief and isolation options. | | | | | | | | | | | | | | | | | | | | | | | | | | | | | | | | | | | | | | | | | | | | | | | | |
| L | Relief cavity is located left of the isolation. | | | | | | | | | | | | | | | | | | | | | | | | | | | | | | | | | | | | | | | | | | | | | | | |
| R | Relief cavity is located right of the isolation. | | | | | | | | | | | | | | | | | | | | | | | | | | | | | | | | | | | | | | | | | | | | | | | |
| D | Two relief cavities, one each side of isolation. | | | | | | | | | | | | | | | | | | | | | | | | | | | | | | | | | | | | | | | | | | | | | | | |

D07 Series Circuit Manifold



All mounting hardware is supplied.
See page 63 for itemized list.

| No. of stations | 02 | 03 | 04 |
|---------------------------------------|-----------------|------------------|------------------|
| "A" length (code 4 spa.) inch [mm] | 8.00 [203.2] | 12.00 [304.8] | 16.00 [406.4] |
| apx. weight alum lb [kg] | 23 [10] | 32 [15] | 40 [18] |
| apx. weight iron lb [kg] | 68 [31] | 103 [47] | 137 [62] |

| Port code | Valve mtg. | Manifold mtg. |
|-----------|----------------------------|------------------------------|
| P, S | 0.38-16 UNC x 1.00 [25] DP | 0.50-13 UNC x 0.88 [22.3] DP |
| | 0.25-20 UNC x 0.75 [19] DP | 0.88 [22.3] DP |
| B, M, T | M10 ISO 6H x 1.00 [25] DP | M12 ISO 6H x 0.88 [22.3] DP |
| | M6 ISO 6H x 0.75 [19] DP | 0.88 [22.3] DP |

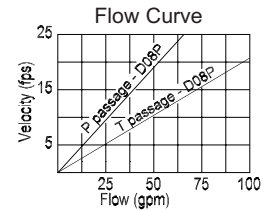
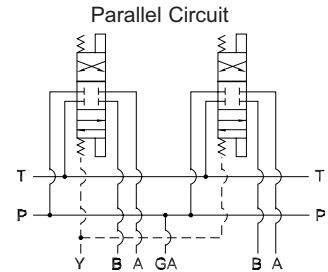
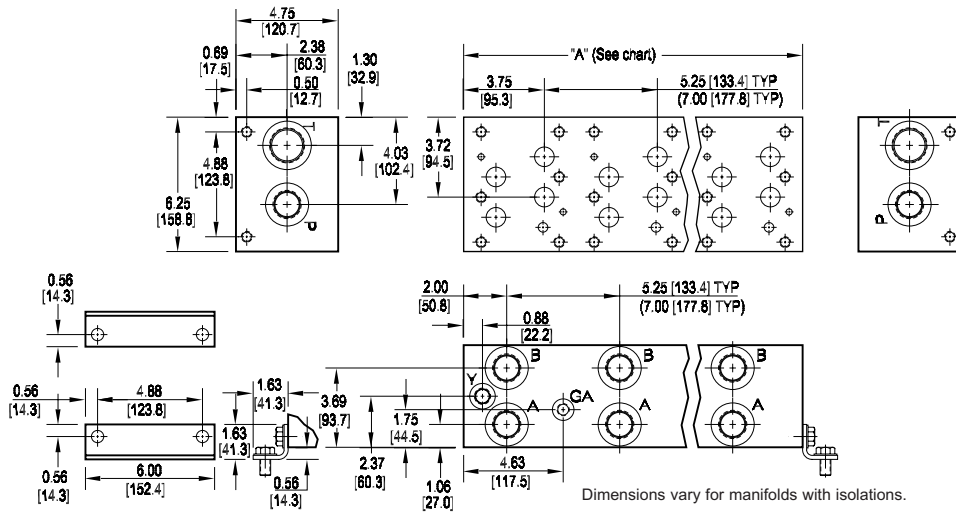
Specifications, descriptions, and dimensional data are subject to correction or change without notice or incurring obligation.
Download latest catalog page revisions at www.damanifolds.com.

Ordering Information

| Material | Valve Pattern | Circuit | No. of Stations | Valve Spacing | Port Threads | Options | | | | | | | | | | | | | | | | | | | | | | | | | | | | | | | | | | | | | | | | | | | | | | | | | | | | | | | | | | | | | | | | | | | | | | | | | | |
|---|---|---------|-----------------|--|--------------|--|---|---------------|--|------------|---|--|---------|--|----------|----------------|---|-----------------|--|----------|--|----------------|-------------------------------|--------------|--|----------------|-------------------------------|--|---------------|--|----------|-----------------------|---|--------------|--|--|--|--|--|--|-------|---|-------|----|--|----------|---------------------|------|------|------|------|----------|-----------------|-----|-----|----|----|----------|-----------------|------|------|------|------|----------|----------------|-----|-----|-----|------|----------|--------------|------|------|------|------|---|---------|--|-----------------------|--|
| <table border="1" style="width: 100%; border-collapse: collapse;"> <thead> <tr> <th colspan="2">Material</th> </tr> </thead> <tbody> <tr> <td style="text-align: center;">A</td> <td>Aluminum - 6061-T6 3000† psi • 20.7 MPa</td> </tr> <tr> <td style="text-align: center;">D</td> <td>Ductile Iron - D4512 5000† psi • 34.5 MPa</td> </tr> </tbody> </table> <p>† Working pressure should be considered in accordance with ISO 4413 to determine appropriate material type.</p> | Material | | A | Aluminum - 6061-T6 3000† psi • 20.7 MPa | D | Ductile Iron - D4512 5000† psi • 34.5 MPa | <table border="1" style="width: 100%; border-collapse: collapse;"> <thead> <tr> <th colspan="2">Valve Pattern</th> </tr> </thead> <tbody> <tr> <td style="text-align: center;">D07</td> <td>ISO 4401-07-06 NFPA T3.5.1-D07 See Tech Information</td> </tr> </tbody> </table> | Valve Pattern | | D07 | ISO 4401-07-06 NFPA T3.5.1-D07 See Tech Information | <table border="1" style="width: 100%; border-collapse: collapse;"> <thead> <tr> <th colspan="2">Circuit</th> </tr> </thead> <tbody> <tr> <td style="text-align: center;">S</td> <td>Series Circuit</td> </tr> </tbody> </table> | Circuit | | S | Series Circuit | <table border="1" style="width: 100%; border-collapse: collapse;"> <thead> <tr> <th colspan="2">No. of Stations</th> </tr> </thead> <tbody> <tr> <td colspan="2" style="text-align: center;">Aluminum</td> </tr> <tr> <td style="text-align: center;">02...04</td> <td>Available with spacing code 4</td> </tr> <tr> <td colspan="2" style="text-align: center;">Ductile Iron</td> </tr> <tr> <td style="text-align: center;">02...04</td> <td>Available with spacing code 4</td> </tr> </tbody> </table> | No. of Stations | | Aluminum | | 02...04 | Available with spacing code 4 | Ductile Iron | | 02...04 | Available with spacing code 4 | <table border="1" style="width: 100%; border-collapse: collapse;"> <thead> <tr> <th colspan="2">Valve Spacing</th> </tr> </thead> <tbody> <tr> <td style="text-align: center;">4</td> <td>4.00 inch 101.6 mm</td> </tr> </tbody> </table> | Valve Spacing | | 4 | 4.00 inch 101.6 mm | <table border="1" style="width: 100%; border-collapse: collapse;"> <thead> <tr> <th colspan="6">Port Threads</th> </tr> <tr> <th></th> <th>P,A,B</th> <th>T</th> <th>X & Y</th> <th>GA</th> <th></th> </tr> </thead> <tbody> <tr> <td style="text-align: center;">P</td> <td>NPTF • ANSI B1.20.3</td> <td>0.75</td> <td>1.00</td> <td>0.38</td> <td>0.25</td> </tr> <tr> <td style="text-align: center;">S</td> <td>SAE • ISO 11926</td> <td>-12</td> <td>-16</td> <td>-6</td> <td>-6</td> </tr> <tr> <td style="text-align: center;">B</td> <td>BSPP • ISO 1179</td> <td>0.75</td> <td>1.00</td> <td>0.38</td> <td>none</td> </tr> <tr> <td style="text-align: center;">M</td> <td>ISO • ISO 6149</td> <td>M27</td> <td>M33</td> <td>M14</td> <td>none</td> </tr> <tr> <td style="text-align: center;">T</td> <td>BSPT • ISO 7</td> <td>0.75</td> <td>1.00</td> <td>0.38</td> <td>none</td> </tr> </tbody> </table> | Port Threads | | | | | | | P,A,B | T | X & Y | GA | | P | NPTF • ANSI B1.20.3 | 0.75 | 1.00 | 0.38 | 0.25 | S | SAE • ISO 11926 | -12 | -16 | -6 | -6 | B | BSPP • ISO 1179 | 0.75 | 1.00 | 0.38 | none | M | ISO • ISO 6149 | M27 | M33 | M14 | none | T | BSPT • ISO 7 | 0.75 | 1.00 | 0.38 | none | <table border="1" style="width: 100%; border-collapse: collapse;"> <thead> <tr> <th colspan="2">Options</th> </tr> </thead> <tbody> <tr> <td colspan="2" style="text-align: center;">No options available.</td> </tr> </tbody> </table> | Options | | No options available. | |
| Material | | | | | | | | | | | | | | | | | | | | | | | | | | | | | | | | | | | | | | | | | | | | | | | | | | | | | | | | | | | | | | | | | | | | | | | | | | | | | | | | |
| A | Aluminum - 6061-T6 3000† psi • 20.7 MPa | | | | | | | | | | | | | | | | | | | | | | | | | | | | | | | | | | | | | | | | | | | | | | | | | | | | | | | | | | | | | | | | | | | | | | | | | | | | | | | |
| D | Ductile Iron - D4512 5000† psi • 34.5 MPa | | | | | | | | | | | | | | | | | | | | | | | | | | | | | | | | | | | | | | | | | | | | | | | | | | | | | | | | | | | | | | | | | | | | | | | | | | | | | | | |
| Valve Pattern | | | | | | | | | | | | | | | | | | | | | | | | | | | | | | | | | | | | | | | | | | | | | | | | | | | | | | | | | | | | | | | | | | | | | | | | | | | | | | | | |
| D07 | ISO 4401-07-06 NFPA T3.5.1-D07 See Tech Information | | | | | | | | | | | | | | | | | | | | | | | | | | | | | | | | | | | | | | | | | | | | | | | | | | | | | | | | | | | | | | | | | | | | | | | | | | | | | | | |
| Circuit | | | | | | | | | | | | | | | | | | | | | | | | | | | | | | | | | | | | | | | | | | | | | | | | | | | | | | | | | | | | | | | | | | | | | | | | | | | | | | | | |
| S | Series Circuit | | | | | | | | | | | | | | | | | | | | | | | | | | | | | | | | | | | | | | | | | | | | | | | | | | | | | | | | | | | | | | | | | | | | | | | | | | | | | | | |
| No. of Stations | | | | | | | | | | | | | | | | | | | | | | | | | | | | | | | | | | | | | | | | | | | | | | | | | | | | | | | | | | | | | | | | | | | | | | | | | | | | | | | | |
| Aluminum | | | | | | | | | | | | | | | | | | | | | | | | | | | | | | | | | | | | | | | | | | | | | | | | | | | | | | | | | | | | | | | | | | | | | | | | | | | | | | | | |
| 02...04 | Available with spacing code 4 | | | | | | | | | | | | | | | | | | | | | | | | | | | | | | | | | | | | | | | | | | | | | | | | | | | | | | | | | | | | | | | | | | | | | | | | | | | | | | | |
| Ductile Iron | | | | | | | | | | | | | | | | | | | | | | | | | | | | | | | | | | | | | | | | | | | | | | | | | | | | | | | | | | | | | | | | | | | | | | | | | | | | | | | | |
| 02...04 | Available with spacing code 4 | | | | | | | | | | | | | | | | | | | | | | | | | | | | | | | | | | | | | | | | | | | | | | | | | | | | | | | | | | | | | | | | | | | | | | | | | | | | | | | |
| Valve Spacing | | | | | | | | | | | | | | | | | | | | | | | | | | | | | | | | | | | | | | | | | | | | | | | | | | | | | | | | | | | | | | | | | | | | | | | | | | | | | | | | |
| 4 | 4.00 inch 101.6 mm | | | | | | | | | | | | | | | | | | | | | | | | | | | | | | | | | | | | | | | | | | | | | | | | | | | | | | | | | | | | | | | | | | | | | | | | | | | | | | | |
| Port Threads | | | | | | | | | | | | | | | | | | | | | | | | | | | | | | | | | | | | | | | | | | | | | | | | | | | | | | | | | | | | | | | | | | | | | | | | | | | | | | | | |
| | P,A,B | T | X & Y | GA | | | | | | | | | | | | | | | | | | | | | | | | | | | | | | | | | | | | | | | | | | | | | | | | | | | | | | | | | | | | | | | | | | | | | | | | | | | | |
| P | NPTF • ANSI B1.20.3 | 0.75 | 1.00 | 0.38 | 0.25 | | | | | | | | | | | | | | | | | | | | | | | | | | | | | | | | | | | | | | | | | | | | | | | | | | | | | | | | | | | | | | | | | | | | | | | | | | | |
| S | SAE • ISO 11926 | -12 | -16 | -6 | -6 | | | | | | | | | | | | | | | | | | | | | | | | | | | | | | | | | | | | | | | | | | | | | | | | | | | | | | | | | | | | | | | | | | | | | | | | | | | |
| B | BSPP • ISO 1179 | 0.75 | 1.00 | 0.38 | none | | | | | | | | | | | | | | | | | | | | | | | | | | | | | | | | | | | | | | | | | | | | | | | | | | | | | | | | | | | | | | | | | | | | | | | | | | | |
| M | ISO • ISO 6149 | M27 | M33 | M14 | none | | | | | | | | | | | | | | | | | | | | | | | | | | | | | | | | | | | | | | | | | | | | | | | | | | | | | | | | | | | | | | | | | | | | | | | | | | | |
| T | BSPT • ISO 7 | 0.75 | 1.00 | 0.38 | none | | | | | | | | | | | | | | | | | | | | | | | | | | | | | | | | | | | | | | | | | | | | | | | | | | | | | | | | | | | | | | | | | | | | | | | | | | | |
| Options | | | | | | | | | | | | | | | | | | | | | | | | | | | | | | | | | | | | | | | | | | | | | | | | | | | | | | | | | | | | | | | | | | | | | | | | | | | | | | | | |
| No options available. | | | | | | | | | | | | | | | | | | | | | | | | | | | | | | | | | | | | | | | | | | | | | | | | | | | | | | | | | | | | | | | | | | | | | | | | | | | | | | | | |

D08 Manifolds

D08 Standard Flow Parallel Manifold



| No. of stations | * 01 | 02 | 03 | 04 | 05 | 06 | 07 |
|---------------------------------------|-----------------|------------------|------------------|------------------|------------------|------------------|------------------|
| "A" length (code 5 spa.) inch [mm] | 5.25 [133.4] | 10.50 [266.7] | 15.75 [400.1] | 21.00 [533.4] | 26.25 [666.8] | 31.50 [800.1] | 36.75 [933.5] |
| apx. weight alum lb [kg] | 12 [5] | 24 [11] | 35 [16] | 49 [22] | 61 [28] | 75 [34] | 89 [40] |
| apx. weight iron lb [kg] | 45 [20] | 90 [41] | 136 [62] | 181 [82] | 226 [103] | 271 [123] | 356 [162] |
| "A" length (code 7 spa.) inch [mm] | -- | 12.25 [311.2] | 19.25 [489.0] | 26.25 [666.8] | 33.25 [844.6] | -- | -- |
| apx. weight alum lb [kg] | -- | 28 [13] | 44 [20] | 64 [29] | 74 [34] | -- | -- |
| apx. weight iron lb [kg] | -- | 105 [48] | 166 [75] | 226 [103] | 286 [130] | -- | -- |

* Gauge port not available on 01 station.

All mounting hardware is supplied.
See page 63 for itemized list.

| Port code | Valve mtg. | Manifold mtg. |
|-----------|----------------------------|------------------------------|
| P, S | 0.50-13 UNC x 1.19 [30] DP | 0.50-13 UNC x 0.88 [22.3] DP |
| B, M, T | M12 ISO 6H x 1.19 [30] DP | M12 ISO 6H x 0.88 [22.3] DP |

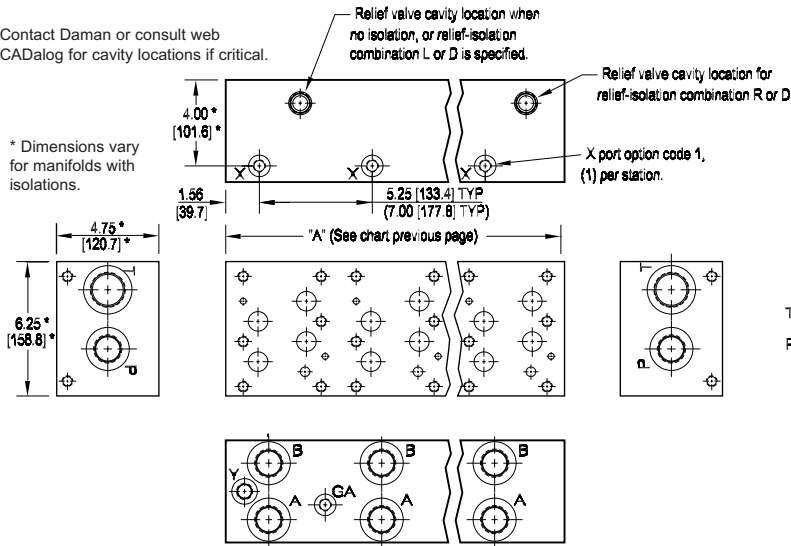
Specifications, descriptions, and dimensional data are subject to correction or change without notice or incurring obligation.
Download latest catalog page revisions at www.damanifolds.com.

Ordering Information

| Material | Valve Pattern | Circuit | No. of Stations | Valve Spacing | Port Threads | Options | | | | | | | | | | | | | | | | | | | | | | | | | | | | | | | | | | | | | | | | | | | | | | | | | | | | | | | | | | | | | | | | | | | | | | | | | | | | | | | | | | | | | | | |
|---|---|---------|-----------------|--|--------------|--|---|---------------|--|------------|---|--|---------|--|----------|-----------------------------------|---|-----------------|--|----------|--|----------------|-------------------------------|----------------|-------------------------------|--------------|--|----------------|-------------------------------|----------------|-------------------------------|---|---------------|--|----------|-----------------------|----------|-----------------------|--|--------------|--|--|--|--|--|--|--|-------|---|---|------------|----|--|----------|---------------------|------|------|------|------|------|----------|-----------------|-----|-----|----|----|----|----------|-----------------|------|------|------|------|------|----------|----------------|-----|-----|-----|-----|------|----------|--------------|------|------|------|------|------|---|---------|--|---|--|
| <table border="1" style="width: 100%; border-collapse: collapse;"> <thead> <tr> <th colspan="2">Material</th> </tr> </thead> <tbody> <tr> <td style="text-align: center;">A</td> <td>Aluminum - 6061-T6 3000† psi • 20.7 MPa</td> </tr> <tr> <td style="text-align: center;">D</td> <td>Ductile Iron - D4512 5000† psi • 34.5 MPa</td> </tr> </tbody> </table> <p>† Working pressure should be considered in accordance with ISO 4413 to determine appropriate material type.</p> | Material | | A | Aluminum - 6061-T6 3000† psi • 20.7 MPa | D | Ductile Iron - D4512 5000† psi • 34.5 MPa | <table border="1" style="width: 100%; border-collapse: collapse;"> <thead> <tr> <th colspan="2">Valve Pattern</th> </tr> </thead> <tbody> <tr> <td style="text-align: center;">D08</td> <td>ISO 4401-08-07 NFPA T3.5.1-D08 See Tech Information</td> </tr> </tbody> </table> | Valve Pattern | | D08 | ISO 4401-08-07 NFPA T3.5.1-D08 See Tech Information | <table border="1" style="width: 100%; border-collapse: collapse;"> <thead> <tr> <th colspan="2">Circuit</th> </tr> </thead> <tbody> <tr> <td style="text-align: center;">P</td> <td>Parallel Circuit Standard Flow</td> </tr> </tbody> </table> | Circuit | | P | Parallel Circuit Standard Flow | <table border="1" style="width: 100%; border-collapse: collapse;"> <thead> <tr> <th colspan="2">No. of Stations</th> </tr> </thead> <tbody> <tr> <td colspan="2" style="text-align: center;">Aluminum</td> </tr> <tr> <td style="text-align: center;">01...07</td> <td>Available with spacing code 5</td> </tr> <tr> <td style="text-align: center;">02...05</td> <td>Available with spacing code 7</td> </tr> <tr> <td colspan="2" style="text-align: center;">Ductile Iron</td> </tr> <tr> <td style="text-align: center;">01...07</td> <td>Available with spacing code 5</td> </tr> <tr> <td style="text-align: center;">02...05</td> <td>Available with spacing code 7</td> </tr> </tbody> </table> | No. of Stations | | Aluminum | | 01...07 | Available with spacing code 5 | 02...05 | Available with spacing code 7 | Ductile Iron | | 01...07 | Available with spacing code 5 | 02...05 | Available with spacing code 7 | <table border="1" style="width: 100%; border-collapse: collapse;"> <thead> <tr> <th colspan="2">Valve Spacing</th> </tr> </thead> <tbody> <tr> <td style="text-align: center;">5</td> <td>5.25 inch 133.4 mm</td> </tr> <tr> <td style="text-align: center;">7</td> <td>7.00 inch 177.8 mm</td> </tr> </tbody> </table> | Valve Spacing | | 5 | 5.25 inch 133.4 mm | 7 | 7.00 inch 177.8 mm | <table border="1" style="width: 100%; border-collapse: collapse;"> <thead> <tr> <th colspan="7">Port Threads</th> </tr> <tr> <th></th> <th>P,A,B</th> <th>T</th> <th>Y</th> <th>X optional</th> <th>GA</th> <th></th> </tr> </thead> <tbody> <tr> <td style="text-align: center;">P</td> <td>NPTF • ANSI B1.20.3</td> <td>1.00</td> <td>1.25</td> <td>0.38</td> <td>0.25</td> <td>0.25</td> </tr> <tr> <td style="text-align: center;">S</td> <td>SAE • ISO 11926</td> <td>-16</td> <td>-20</td> <td>-8</td> <td>-4</td> <td>-6</td> </tr> <tr> <td style="text-align: center;">B</td> <td>BSPP • ISO 1179</td> <td>1.00</td> <td>1.25</td> <td>0.38</td> <td>0.25</td> <td>none</td> </tr> <tr> <td style="text-align: center;">M</td> <td>ISO • ISO 6149</td> <td>M33</td> <td>M42</td> <td>M14</td> <td>M10</td> <td>none</td> </tr> <tr> <td style="text-align: center;">T</td> <td>BSPT • ISO 7</td> <td>1.00</td> <td>1.25</td> <td>0.38</td> <td>0.25</td> <td>none</td> </tr> </tbody> </table> | Port Threads | | | | | | | | P,A,B | T | Y | X optional | GA | | P | NPTF • ANSI B1.20.3 | 1.00 | 1.25 | 0.38 | 0.25 | 0.25 | S | SAE • ISO 11926 | -16 | -20 | -8 | -4 | -6 | B | BSPP • ISO 1179 | 1.00 | 1.25 | 0.38 | 0.25 | none | M | ISO • ISO 6149 | M33 | M42 | M14 | M10 | none | T | BSPT • ISO 7 | 1.00 | 1.25 | 0.38 | 0.25 | none | <table border="1" style="width: 100%; border-collapse: collapse;"> <thead> <tr> <th colspan="2">Options</th> </tr> </thead> <tbody> <tr> <td colspan="2">See next page for available options and ordering codes.</td> </tr> </tbody> </table> | Options | | See next page for available options and ordering codes. | |
| Material | | | | | | | | | | | | | | | | | | | | | | | | | | | | | | | | | | | | | | | | | | | | | | | | | | | | | | | | | | | | | | | | | | | | | | | | | | | | | | | | | | | | | | | | | | | | | |
| A | Aluminum - 6061-T6 3000† psi • 20.7 MPa | | | | | | | | | | | | | | | | | | | | | | | | | | | | | | | | | | | | | | | | | | | | | | | | | | | | | | | | | | | | | | | | | | | | | | | | | | | | | | | | | | | | | | | | | | | | |
| D | Ductile Iron - D4512 5000† psi • 34.5 MPa | | | | | | | | | | | | | | | | | | | | | | | | | | | | | | | | | | | | | | | | | | | | | | | | | | | | | | | | | | | | | | | | | | | | | | | | | | | | | | | | | | | | | | | | | | | | |
| Valve Pattern | | | | | | | | | | | | | | | | | | | | | | | | | | | | | | | | | | | | | | | | | | | | | | | | | | | | | | | | | | | | | | | | | | | | | | | | | | | | | | | | | | | | | | | | | | | | | |
| D08 | ISO 4401-08-07 NFPA T3.5.1-D08 See Tech Information | | | | | | | | | | | | | | | | | | | | | | | | | | | | | | | | | | | | | | | | | | | | | | | | | | | | | | | | | | | | | | | | | | | | | | | | | | | | | | | | | | | | | | | | | | | | |
| Circuit | | | | | | | | | | | | | | | | | | | | | | | | | | | | | | | | | | | | | | | | | | | | | | | | | | | | | | | | | | | | | | | | | | | | | | | | | | | | | | | | | | | | | | | | | | | | | |
| P | Parallel Circuit Standard Flow | | | | | | | | | | | | | | | | | | | | | | | | | | | | | | | | | | | | | | | | | | | | | | | | | | | | | | | | | | | | | | | | | | | | | | | | | | | | | | | | | | | | | | | | | | | | |
| No. of Stations | | | | | | | | | | | | | | | | | | | | | | | | | | | | | | | | | | | | | | | | | | | | | | | | | | | | | | | | | | | | | | | | | | | | | | | | | | | | | | | | | | | | | | | | | | | | | |
| Aluminum | | | | | | | | | | | | | | | | | | | | | | | | | | | | | | | | | | | | | | | | | | | | | | | | | | | | | | | | | | | | | | | | | | | | | | | | | | | | | | | | | | | | | | | | | | | | | |
| 01...07 | Available with spacing code 5 | | | | | | | | | | | | | | | | | | | | | | | | | | | | | | | | | | | | | | | | | | | | | | | | | | | | | | | | | | | | | | | | | | | | | | | | | | | | | | | | | | | | | | | | | | | | |
| 02...05 | Available with spacing code 7 | | | | | | | | | | | | | | | | | | | | | | | | | | | | | | | | | | | | | | | | | | | | | | | | | | | | | | | | | | | | | | | | | | | | | | | | | | | | | | | | | | | | | | | | | | | | |
| Ductile Iron | | | | | | | | | | | | | | | | | | | | | | | | | | | | | | | | | | | | | | | | | | | | | | | | | | | | | | | | | | | | | | | | | | | | | | | | | | | | | | | | | | | | | | | | | | | | | |
| 01...07 | Available with spacing code 5 | | | | | | | | | | | | | | | | | | | | | | | | | | | | | | | | | | | | | | | | | | | | | | | | | | | | | | | | | | | | | | | | | | | | | | | | | | | | | | | | | | | | | | | | | | | | |
| 02...05 | Available with spacing code 7 | | | | | | | | | | | | | | | | | | | | | | | | | | | | | | | | | | | | | | | | | | | | | | | | | | | | | | | | | | | | | | | | | | | | | | | | | | | | | | | | | | | | | | | | | | | | |
| Valve Spacing | | | | | | | | | | | | | | | | | | | | | | | | | | | | | | | | | | | | | | | | | | | | | | | | | | | | | | | | | | | | | | | | | | | | | | | | | | | | | | | | | | | | | | | | | | | | | |
| 5 | 5.25 inch 133.4 mm | | | | | | | | | | | | | | | | | | | | | | | | | | | | | | | | | | | | | | | | | | | | | | | | | | | | | | | | | | | | | | | | | | | | | | | | | | | | | | | | | | | | | | | | | | | | |
| 7 | 7.00 inch 177.8 mm | | | | | | | | | | | | | | | | | | | | | | | | | | | | | | | | | | | | | | | | | | | | | | | | | | | | | | | | | | | | | | | | | | | | | | | | | | | | | | | | | | | | | | | | | | | | |
| Port Threads | | | | | | | | | | | | | | | | | | | | | | | | | | | | | | | | | | | | | | | | | | | | | | | | | | | | | | | | | | | | | | | | | | | | | | | | | | | | | | | | | | | | | | | | | | | | | |
| | P,A,B | T | Y | X optional | GA | | | | | | | | | | | | | | | | | | | | | | | | | | | | | | | | | | | | | | | | | | | | | | | | | | | | | | | | | | | | | | | | | | | | | | | | | | | | | | | | | | | | | | | | |
| P | NPTF • ANSI B1.20.3 | 1.00 | 1.25 | 0.38 | 0.25 | 0.25 | | | | | | | | | | | | | | | | | | | | | | | | | | | | | | | | | | | | | | | | | | | | | | | | | | | | | | | | | | | | | | | | | | | | | | | | | | | | | | | | | | | | | | | |
| S | SAE • ISO 11926 | -16 | -20 | -8 | -4 | -6 | | | | | | | | | | | | | | | | | | | | | | | | | | | | | | | | | | | | | | | | | | | | | | | | | | | | | | | | | | | | | | | | | | | | | | | | | | | | | | | | | | | | | | | |
| B | BSPP • ISO 1179 | 1.00 | 1.25 | 0.38 | 0.25 | none | | | | | | | | | | | | | | | | | | | | | | | | | | | | | | | | | | | | | | | | | | | | | | | | | | | | | | | | | | | | | | | | | | | | | | | | | | | | | | | | | | | | | | | |
| M | ISO • ISO 6149 | M33 | M42 | M14 | M10 | none | | | | | | | | | | | | | | | | | | | | | | | | | | | | | | | | | | | | | | | | | | | | | | | | | | | | | | | | | | | | | | | | | | | | | | | | | | | | | | | | | | | | | | | |
| T | BSPT • ISO 7 | 1.00 | 1.25 | 0.38 | 0.25 | none | | | | | | | | | | | | | | | | | | | | | | | | | | | | | | | | | | | | | | | | | | | | | | | | | | | | | | | | | | | | | | | | | | | | | | | | | | | | | | | | | | | | | | | |
| Options | | | | | | | | | | | | | | | | | | | | | | | | | | | | | | | | | | | | | | | | | | | | | | | | | | | | | | | | | | | | | | | | | | | | | | | | | | | | | | | | | | | | | | | | | | | | | |
| See next page for available options and ordering codes. | | | | | | | | | | | | | | | | | | | | | | | | | | | | | | | | | | | | | | | | | | | | | | | | | | | | | | | | | | | | | | | | | | | | | | | | | | | | | | | | | | | | | | | | | | | | | |

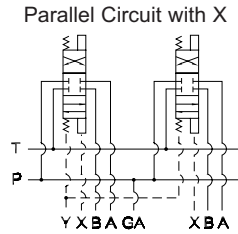
Options - D08 Standard Flow Parallel Manifold

Contact Daman or consult web CADalog for cavity locations if critical.

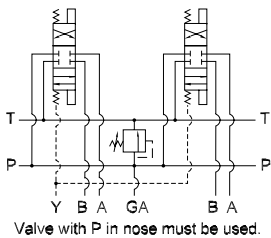


| ISOLATIONS | | |
|-----------------------|----------------------------------|--------------------------|
| Ordering code letter: | * Isolation is between stations: | Available # of stations: |
| 5.25 [133.4] spacing | | |
| A | 01 & 02 | 02-07 |
| B | 02 & 03 | 03-07 |
| C | 03 & 04 | 04-07 |
| D | 04 & 05 | 05-07 |
| E | 05 & 06 | 06-07 |
| F | 06 & 07 | 07 |
| 7.00 [177.8] spacing | | |
| A | 01 & 02 | 02-05 |
| B | 02 & 03 | 03-05 |
| C | 03 & 04 | 04-05 |
| D | 04 & 05 | 05 |

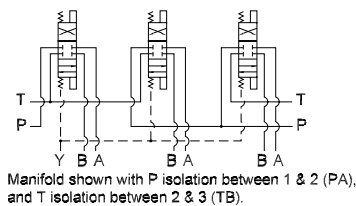
* Stations are numbered left to right.



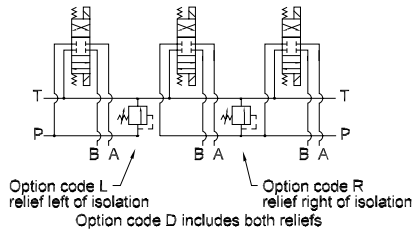
Parallel Circuit with Relief



Parallel Circuit with Isolations



Relief / Isolation Combination

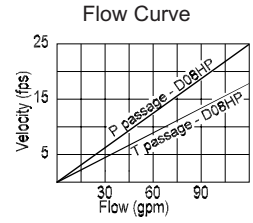
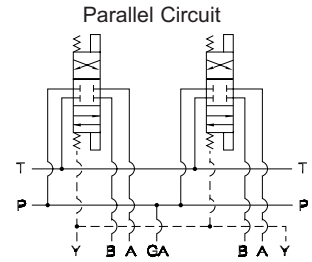
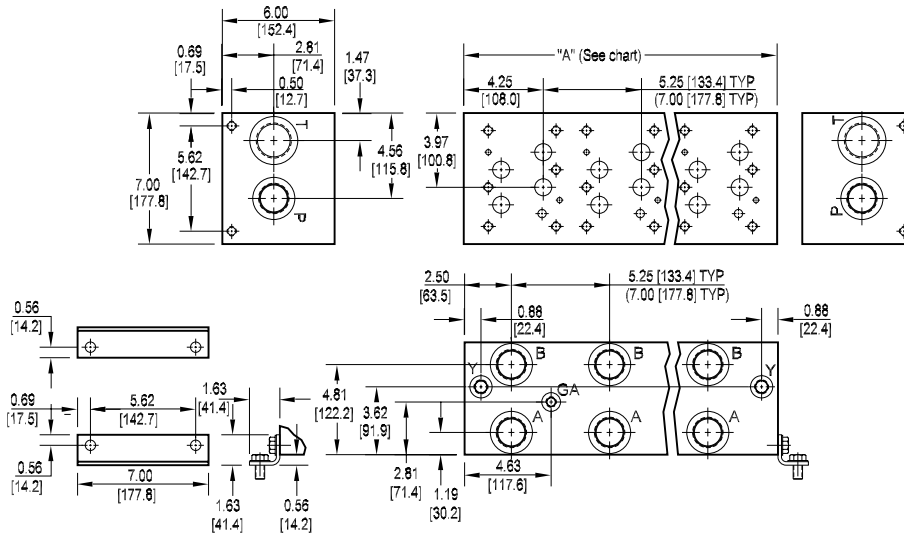


NOTES:
 1) The GA port is not available on a (1) station manifold.
 2) The GA port is not available when a pressure isolation is located between stations 1 & 2.

Ordering Information

| ... / | Pilot Ports | Relief Cavity | Pressure Isolation | Tank Isolation | Relief & Isolation | | | | | | | | | | | | | | | | | | | | | | | | | | | | | | | | | | | | | | | | |
|---|--|---------------|--------------------|------------------------------|--------------------|----------|--|--|---------------|--|-----------------------------|--|----------|-------------------------------------|----------|---|---|--------------------|--|----------------------------------|--|----------------|-------------------------------|----------------|-------------------------------|---|----------------|--|----------------------------------|--|----------------|-------------------------------|----------------|-------------------------------|--|--------------------------------|--|---|--|----------|---|----------|--|----------|--|
| | <table border="1" style="width: 100%; border-collapse: collapse;"> <thead> <tr> <th colspan="2">Pilot Ports</th> </tr> </thead> <tbody> <tr> <td colspan="2">Omit if X ports not required</td> </tr> <tr> <td style="text-align: center;">1</td> <td>X port ISO 4401-08-07 NFPA T3.5.1-D08</td> </tr> </tbody> </table> | Pilot Ports | | Omit if X ports not required | | 1 | X port ISO 4401-08-07 NFPA T3.5.1-D08 | <table border="1" style="width: 100%; border-collapse: collapse;"> <thead> <tr> <th colspan="2">Relief Cavity</th> </tr> </thead> <tbody> <tr> <td colspan="2">Omit if relief not required</td> </tr> <tr> <td style="text-align: center;">C</td> <td>Common cavity C-10-2 (P in nose)</td> </tr> <tr> <td style="text-align: center;">S</td> <td>Sun Cavity T-3A (P in nose) See Tech Info for valves.</td> </tr> </tbody> </table> | Relief Cavity | | Omit if relief not required | | C | Common cavity C-10-2 (P in nose) | S | Sun Cavity T-3A (P in nose) See Tech Info for valves. | <table border="1" style="width: 100%; border-collapse: collapse;"> <thead> <tr> <th colspan="2">Pressure Isolation</th> </tr> </thead> <tbody> <tr> <td colspan="2">Omit if P isolation not required</td> </tr> <tr> <td style="text-align: center;">PA...PF</td> <td>Available with spacing code 5</td> </tr> <tr> <td style="text-align: center;">PA...PD</td> <td>Available with spacing code 7</td> </tr> </tbody> </table> | Pressure Isolation | | Omit if P isolation not required | | PA...PF | Available with spacing code 5 | PA...PD | Available with spacing code 7 | <table border="1" style="width: 100%; border-collapse: collapse;"> <thead> <tr> <th colspan="2">Tank Isolation</th> </tr> </thead> <tbody> <tr> <td colspan="2">Omit if T isolation not required</td> </tr> <tr> <td style="text-align: center;">TA...TF</td> <td>Available with spacing code 5</td> </tr> <tr> <td style="text-align: center;">TA...TD</td> <td>Available with spacing code 7</td> </tr> </tbody> </table> | Tank Isolation | | Omit if T isolation not required | | TA...TF | Available with spacing code 5 | TA...TD | Available with spacing code 7 | <table border="1" style="width: 100%; border-collapse: collapse;"> <thead> <tr> <th colspan="2">Relief / Isolation Combination</th> </tr> </thead> <tbody> <tr> <td colspan="2">Specify when using both relief and isolation options.</td> </tr> <tr> <td style="text-align: center;">L</td> <td>Relief cavity is located left of the isolation.</td> </tr> <tr> <td style="text-align: center;">R</td> <td>Relief cavity is located right of the isolation.</td> </tr> <tr> <td style="text-align: center;">D</td> <td>Two relief cavities, one each side of isolation.</td> </tr> </tbody> </table> | Relief / Isolation Combination | | Specify when using both relief and isolation options. | | L | Relief cavity is located left of the isolation. | R | Relief cavity is located right of the isolation. | D | Two relief cavities, one each side of isolation. |
| Pilot Ports | | | | | | | | | | | | | | | | | | | | | | | | | | | | | | | | | | | | | | | | | | | | | |
| Omit if X ports not required | | | | | | | | | | | | | | | | | | | | | | | | | | | | | | | | | | | | | | | | | | | | | |
| 1 | X port ISO 4401-08-07 NFPA T3.5.1-D08 | | | | | | | | | | | | | | | | | | | | | | | | | | | | | | | | | | | | | | | | | | | | |
| Relief Cavity | | | | | | | | | | | | | | | | | | | | | | | | | | | | | | | | | | | | | | | | | | | | | |
| Omit if relief not required | | | | | | | | | | | | | | | | | | | | | | | | | | | | | | | | | | | | | | | | | | | | | |
| C | Common cavity C-10-2 (P in nose) | | | | | | | | | | | | | | | | | | | | | | | | | | | | | | | | | | | | | | | | | | | | |
| S | Sun Cavity T-3A (P in nose) See Tech Info for valves. | | | | | | | | | | | | | | | | | | | | | | | | | | | | | | | | | | | | | | | | | | | | |
| Pressure Isolation | | | | | | | | | | | | | | | | | | | | | | | | | | | | | | | | | | | | | | | | | | | | | |
| Omit if P isolation not required | | | | | | | | | | | | | | | | | | | | | | | | | | | | | | | | | | | | | | | | | | | | | |
| PA...PF | Available with spacing code 5 | | | | | | | | | | | | | | | | | | | | | | | | | | | | | | | | | | | | | | | | | | | | |
| PA...PD | Available with spacing code 7 | | | | | | | | | | | | | | | | | | | | | | | | | | | | | | | | | | | | | | | | | | | | |
| Tank Isolation | | | | | | | | | | | | | | | | | | | | | | | | | | | | | | | | | | | | | | | | | | | | | |
| Omit if T isolation not required | | | | | | | | | | | | | | | | | | | | | | | | | | | | | | | | | | | | | | | | | | | | | |
| TA...TF | Available with spacing code 5 | | | | | | | | | | | | | | | | | | | | | | | | | | | | | | | | | | | | | | | | | | | | |
| TA...TD | Available with spacing code 7 | | | | | | | | | | | | | | | | | | | | | | | | | | | | | | | | | | | | | | | | | | | | |
| Relief / Isolation Combination | | | | | | | | | | | | | | | | | | | | | | | | | | | | | | | | | | | | | | | | | | | | | |
| Specify when using both relief and isolation options. | | | | | | | | | | | | | | | | | | | | | | | | | | | | | | | | | | | | | | | | | | | | | |
| L | Relief cavity is located left of the isolation. | | | | | | | | | | | | | | | | | | | | | | | | | | | | | | | | | | | | | | | | | | | | |
| R | Relief cavity is located right of the isolation. | | | | | | | | | | | | | | | | | | | | | | | | | | | | | | | | | | | | | | | | | | | | |
| D | Two relief cavities, one each side of isolation. | | | | | | | | | | | | | | | | | | | | | | | | | | | | | | | | | | | | | | | | | | | | |

D08 High Flow Parallel Circuit Manifold



Rated flow Pressure 72 gpm @ 15 fps
 Rated flow Tank 100 gpm @ 15 fps

| No. of stations | * 01 | 02 | 03 | 04 | 05 | 06 | 07 |
|---------------------------------------|-----------------|------------------|------------------|------------------|------------------|------------------|------------------|
| "A" length (code 5 spa.) inch [mm] | 6.25 [158.8] | 11.50 [292.1] | 16.75 [425.5] | 22.00 [558.8] | 27.25 [692.2] | 32.50 [825.5] | 37.75 [958.9] |
| apx. weight alum lb [kg] | 26 [12] | 48 [22] | 70 [32] | 92 [42] | 114 [52] | 136 [62] | 158 [72] |
| apx. weight iron lb [kg] | 69 [31] | 126 [57] | 183 [83] | 240 [109] | 298 [135] | 355 [161] | 412 [187] |
| "A" length (code 7 spa.) inch [mm] | -- | 13.25 [336.6] | 20.25 [514.4] | 27.25 [692.2] | 34.25 [870.0] | -- | -- |
| apx. weight alum lb [kg] | -- | 55 [25] | 85 [39] | 114 [52] | 143 [65] | -- | -- |
| apx. weight iron lb [kg] | -- | 145 [66] | 221 [100] | 298 [135] | 374 [170] | -- | -- |

All mounting hardware is supplied.
 See page 63 for itemized list.

| Port code | Valve mtg. | Manifold mtg. |
|-----------|-------------------------------|---------------------------------|
| P, S | 0.50-13 UNC x 1.19 [30] DP | 0.50-13 UNC x 0.88 [22.3] DP |
| B, M, T | M12 ISO 6H x 1.19 [30] DP | M12 ISO 6H x 0.88 [22.3] DP |

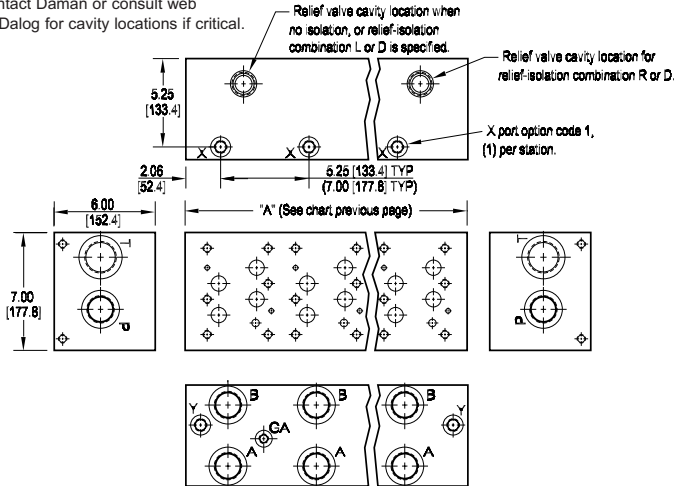
Specifications, descriptions, and dimensional data are subject to correction or change without notice or incurring obligation.
 Download latest catalog page revisions at www.damanifolds.com.

Ordering Information

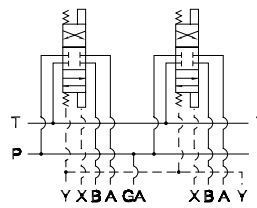
| Material | Valve Pattern | Circuit | No. of Stations | Valve Spacing | Port Threads | Options | | | | | | | | | | | | | | | | | | | | | | | | | | | | | | | | | | | | | | | | | | | | | | | | | | | | | | | | | | | | | | | | | | | | | | | | | | | | | | | | | | | | | | | |
|--|---|---------|-----------------|--|--------------|--|--|---------------|--|------------|---|--|---------|--|-----------|-------------------------------|--|-----------------|--|----------|--|----------------|-------------------------------|----------------|-------------------------------|--------------|--|----------------|-------------------------------|----------------|-------------------------------|--|---------------|--|----------|-----------------------|----------|-----------------------|--|--------------|--|--|--|--|--|--|---|-------|---|---|------------|----|--|----------|---------------------|------|------|------|------|------|----------|-----------------|-----|-----|----|----|----|----------|-----------------|------|------|------|------|------|----------|----------------|-----|-----|-----|-----|------|----------|--------------|------|------|------|------|------|--|---------|--|---|--|
| <table border="1" style="width: 100%;"> <thead> <tr><th colspan="2">Material</th></tr> </thead> <tbody> <tr> <td style="text-align: center;">A</td> <td>Aluminum - 6061-T6 3000† psi • 20.7 MPa</td> </tr> <tr> <td style="text-align: center;">D</td> <td>Ductile Iron - D4512 5000† psi • 34.5 MPa</td> </tr> </tbody> </table> <p>† Working pressure should be considered in accordance with ISO 4413 to determine appropriate material type.</p> | Material | | A | Aluminum - 6061-T6 3000† psi • 20.7 MPa | D | Ductile Iron - D4512 5000† psi • 34.5 MPa | <table border="1" style="width: 100%;"> <thead> <tr><th colspan="2">Valve Pattern</th></tr> </thead> <tbody> <tr> <td style="text-align: center;">D08</td> <td>ISO 4401-08-07 NFPA T3.5.1-D08 See Tech Information</td> </tr> </tbody> </table> | Valve Pattern | | D08 | ISO 4401-08-07 NFPA T3.5.1-D08 See Tech Information | <table border="1" style="width: 100%;"> <thead> <tr><th colspan="2">Circuit</th></tr> </thead> <tbody> <tr> <td style="text-align: center;">HP</td> <td>Parallel Circuit High Flow</td> </tr> </tbody> </table> | Circuit | | HP | Parallel Circuit High Flow | <table border="1" style="width: 100%;"> <thead> <tr><th colspan="2">No. of Stations</th></tr> </thead> <tbody> <tr><td colspan="2" style="text-align: center;">Aluminum</td></tr> <tr> <td style="text-align: center;">01...07</td> <td>Available with spacing code 5</td> </tr> <tr> <td style="text-align: center;">02...05</td> <td>Available with spacing code 7</td> </tr> <tr><td colspan="2" style="text-align: center;">Ductile Iron</td></tr> <tr> <td style="text-align: center;">01...07</td> <td>Available with spacing code 5</td> </tr> <tr> <td style="text-align: center;">02...05</td> <td>Available with spacing code 7</td> </tr> </tbody> </table> | No. of Stations | | Aluminum | | 01...07 | Available with spacing code 5 | 02...05 | Available with spacing code 7 | Ductile Iron | | 01...07 | Available with spacing code 5 | 02...05 | Available with spacing code 7 | <table border="1" style="width: 100%;"> <thead> <tr><th colspan="2">Valve Spacing</th></tr> </thead> <tbody> <tr> <td style="text-align: center;">5</td> <td>5.25 inch 133.4 mm</td> </tr> <tr> <td style="text-align: center;">7</td> <td>7.00 inch 177.8 mm</td> </tr> </tbody> </table> | Valve Spacing | | 5 | 5.25 inch 133.4 mm | 7 | 7.00 inch 177.8 mm | <table border="1" style="width: 100%;"> <thead> <tr><th colspan="7">Port Threads</th></tr> </thead> <tbody> <tr> <th>P</th> <th>P,A,B</th> <th>T</th> <th>Y</th> <th>X optional</th> <th>GA</th> <th></th> </tr> <tr> <td>P</td> <td>NPTF • ANSI B1.20.3</td> <td>1.25</td> <td>1.50</td> <td>0.38</td> <td>0.25</td> <td>0.25</td> </tr> <tr> <td>S</td> <td>SAE • ISO 11926</td> <td>-20</td> <td>-24</td> <td>-8</td> <td>-4</td> <td>-6</td> </tr> <tr> <td>B</td> <td>BSPP • ISO 1179</td> <td>1.25</td> <td>1.50</td> <td>0.50</td> <td>0.25</td> <td>none</td> </tr> <tr> <td>M</td> <td>ISO • ISO 6149</td> <td>M42</td> <td>M48</td> <td>M16</td> <td>M10</td> <td>none</td> </tr> <tr> <td>T</td> <td>BSPT • ISO 7</td> <td>1.25</td> <td>1.50</td> <td>0.50</td> <td>0.25</td> <td>none</td> </tr> </tbody> </table> | Port Threads | | | | | | | P | P,A,B | T | Y | X optional | GA | | P | NPTF • ANSI B1.20.3 | 1.25 | 1.50 | 0.38 | 0.25 | 0.25 | S | SAE • ISO 11926 | -20 | -24 | -8 | -4 | -6 | B | BSPP • ISO 1179 | 1.25 | 1.50 | 0.50 | 0.25 | none | M | ISO • ISO 6149 | M42 | M48 | M16 | M10 | none | T | BSPT • ISO 7 | 1.25 | 1.50 | 0.50 | 0.25 | none | <table border="1" style="width: 100%;"> <thead> <tr><th colspan="2">Options</th></tr> </thead> <tbody> <tr> <td colspan="2">See next page for available options and ordering codes.</td> </tr> </tbody> </table> | Options | | See next page for available options and ordering codes. | |
| Material | | | | | | | | | | | | | | | | | | | | | | | | | | | | | | | | | | | | | | | | | | | | | | | | | | | | | | | | | | | | | | | | | | | | | | | | | | | | | | | | | | | | | | | | | | | | | |
| A | Aluminum - 6061-T6 3000† psi • 20.7 MPa | | | | | | | | | | | | | | | | | | | | | | | | | | | | | | | | | | | | | | | | | | | | | | | | | | | | | | | | | | | | | | | | | | | | | | | | | | | | | | | | | | | | | | | | | | | | |
| D | Ductile Iron - D4512 5000† psi • 34.5 MPa | | | | | | | | | | | | | | | | | | | | | | | | | | | | | | | | | | | | | | | | | | | | | | | | | | | | | | | | | | | | | | | | | | | | | | | | | | | | | | | | | | | | | | | | | | | | |
| Valve Pattern | | | | | | | | | | | | | | | | | | | | | | | | | | | | | | | | | | | | | | | | | | | | | | | | | | | | | | | | | | | | | | | | | | | | | | | | | | | | | | | | | | | | | | | | | | | | | |
| D08 | ISO 4401-08-07 NFPA T3.5.1-D08 See Tech Information | | | | | | | | | | | | | | | | | | | | | | | | | | | | | | | | | | | | | | | | | | | | | | | | | | | | | | | | | | | | | | | | | | | | | | | | | | | | | | | | | | | | | | | | | | | | |
| Circuit | | | | | | | | | | | | | | | | | | | | | | | | | | | | | | | | | | | | | | | | | | | | | | | | | | | | | | | | | | | | | | | | | | | | | | | | | | | | | | | | | | | | | | | | | | | | | |
| HP | Parallel Circuit High Flow | | | | | | | | | | | | | | | | | | | | | | | | | | | | | | | | | | | | | | | | | | | | | | | | | | | | | | | | | | | | | | | | | | | | | | | | | | | | | | | | | | | | | | | | | | | | |
| No. of Stations | | | | | | | | | | | | | | | | | | | | | | | | | | | | | | | | | | | | | | | | | | | | | | | | | | | | | | | | | | | | | | | | | | | | | | | | | | | | | | | | | | | | | | | | | | | | | |
| Aluminum | | | | | | | | | | | | | | | | | | | | | | | | | | | | | | | | | | | | | | | | | | | | | | | | | | | | | | | | | | | | | | | | | | | | | | | | | | | | | | | | | | | | | | | | | | | | | |
| 01...07 | Available with spacing code 5 | | | | | | | | | | | | | | | | | | | | | | | | | | | | | | | | | | | | | | | | | | | | | | | | | | | | | | | | | | | | | | | | | | | | | | | | | | | | | | | | | | | | | | | | | | | | |
| 02...05 | Available with spacing code 7 | | | | | | | | | | | | | | | | | | | | | | | | | | | | | | | | | | | | | | | | | | | | | | | | | | | | | | | | | | | | | | | | | | | | | | | | | | | | | | | | | | | | | | | | | | | | |
| Ductile Iron | | | | | | | | | | | | | | | | | | | | | | | | | | | | | | | | | | | | | | | | | | | | | | | | | | | | | | | | | | | | | | | | | | | | | | | | | | | | | | | | | | | | | | | | | | | | | |
| 01...07 | Available with spacing code 5 | | | | | | | | | | | | | | | | | | | | | | | | | | | | | | | | | | | | | | | | | | | | | | | | | | | | | | | | | | | | | | | | | | | | | | | | | | | | | | | | | | | | | | | | | | | | |
| 02...05 | Available with spacing code 7 | | | | | | | | | | | | | | | | | | | | | | | | | | | | | | | | | | | | | | | | | | | | | | | | | | | | | | | | | | | | | | | | | | | | | | | | | | | | | | | | | | | | | | | | | | | | |
| Valve Spacing | | | | | | | | | | | | | | | | | | | | | | | | | | | | | | | | | | | | | | | | | | | | | | | | | | | | | | | | | | | | | | | | | | | | | | | | | | | | | | | | | | | | | | | | | | | | | |
| 5 | 5.25 inch 133.4 mm | | | | | | | | | | | | | | | | | | | | | | | | | | | | | | | | | | | | | | | | | | | | | | | | | | | | | | | | | | | | | | | | | | | | | | | | | | | | | | | | | | | | | | | | | | | | |
| 7 | 7.00 inch 177.8 mm | | | | | | | | | | | | | | | | | | | | | | | | | | | | | | | | | | | | | | | | | | | | | | | | | | | | | | | | | | | | | | | | | | | | | | | | | | | | | | | | | | | | | | | | | | | | |
| Port Threads | | | | | | | | | | | | | | | | | | | | | | | | | | | | | | | | | | | | | | | | | | | | | | | | | | | | | | | | | | | | | | | | | | | | | | | | | | | | | | | | | | | | | | | | | | | | | |
| P | P,A,B | T | Y | X optional | GA | | | | | | | | | | | | | | | | | | | | | | | | | | | | | | | | | | | | | | | | | | | | | | | | | | | | | | | | | | | | | | | | | | | | | | | | | | | | | | | | | | | | | | | | |
| P | NPTF • ANSI B1.20.3 | 1.25 | 1.50 | 0.38 | 0.25 | 0.25 | | | | | | | | | | | | | | | | | | | | | | | | | | | | | | | | | | | | | | | | | | | | | | | | | | | | | | | | | | | | | | | | | | | | | | | | | | | | | | | | | | | | | | | |
| S | SAE • ISO 11926 | -20 | -24 | -8 | -4 | -6 | | | | | | | | | | | | | | | | | | | | | | | | | | | | | | | | | | | | | | | | | | | | | | | | | | | | | | | | | | | | | | | | | | | | | | | | | | | | | | | | | | | | | | | |
| B | BSPP • ISO 1179 | 1.25 | 1.50 | 0.50 | 0.25 | none | | | | | | | | | | | | | | | | | | | | | | | | | | | | | | | | | | | | | | | | | | | | | | | | | | | | | | | | | | | | | | | | | | | | | | | | | | | | | | | | | | | | | | | |
| M | ISO • ISO 6149 | M42 | M48 | M16 | M10 | none | | | | | | | | | | | | | | | | | | | | | | | | | | | | | | | | | | | | | | | | | | | | | | | | | | | | | | | | | | | | | | | | | | | | | | | | | | | | | | | | | | | | | | | |
| T | BSPT • ISO 7 | 1.25 | 1.50 | 0.50 | 0.25 | none | | | | | | | | | | | | | | | | | | | | | | | | | | | | | | | | | | | | | | | | | | | | | | | | | | | | | | | | | | | | | | | | | | | | | | | | | | | | | | | | | | | | | | | |
| Options | | | | | | | | | | | | | | | | | | | | | | | | | | | | | | | | | | | | | | | | | | | | | | | | | | | | | | | | | | | | | | | | | | | | | | | | | | | | | | | | | | | | | | | | | | | | | |
| See next page for available options and ordering codes. | | | | | | | | | | | | | | | | | | | | | | | | | | | | | | | | | | | | | | | | | | | | | | | | | | | | | | | | | | | | | | | | | | | | | | | | | | | | | | | | | | | | | | | | | | | | | |

Options - D08 High Flow Parallel Manifold

Contact Daman or consult web CADalog for cavity locations if critical.



Parallel Circuit with X



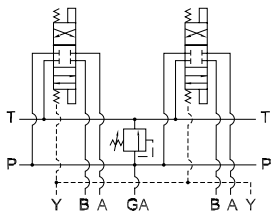
ISOLATIONS

Daman isolation options allow a manifold to have two independent pressure and/or tank ports. Isolations are drilled rather than plugged to ensure a leakproof and failproof isolation.

| Ordering code letter: | * Isolation is between stations: | Available # of stations: |
|-----------------------|----------------------------------|--------------------------|
| 5.25 [133.4] spacing | | |
| A | 01 & 02 | 02-07 |
| B | 02 & 03 | 03-07 |
| C | 03 & 04 | 04-07 |
| D | 04 & 05 | 05-07 |
| E | 05 & 06 | 06-07 |
| F | 06 & 07 | 07 |
| 7.00 [177.8] spacing | | |
| A | 01 & 02 | 02-05 |
| B | 02 & 03 | 03-05 |
| C | 03 & 04 | 04-05 |
| D | 04 & 05 | 05 |

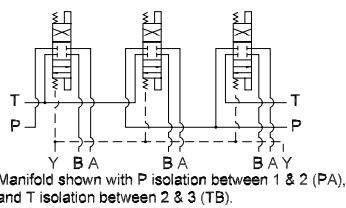
* Stations are numbered left to right.

Parallel Circuit with Relief

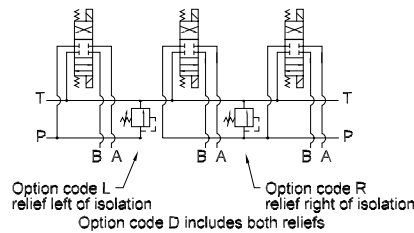


Valve with P in nose must be used.

Parallel Circuit with Isolations



Relief / Isolation Combination



NOTES:

- 1) The GA port is not available on a (1) station manifold.
- 2) The GA port is not available when a pressure isolation is located between stations 1 & 2.

Ordering Information



| Pilot Ports | |
|------------------------------|--|
| Omit if X ports not required | |
| 1 | X port ISO 4401-08-07 NFPA T3.5.1-D08 |

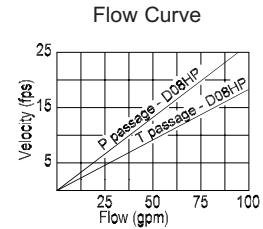
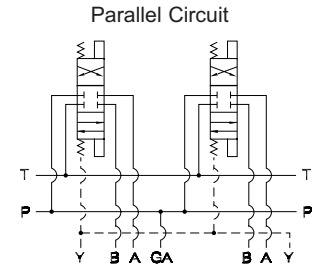
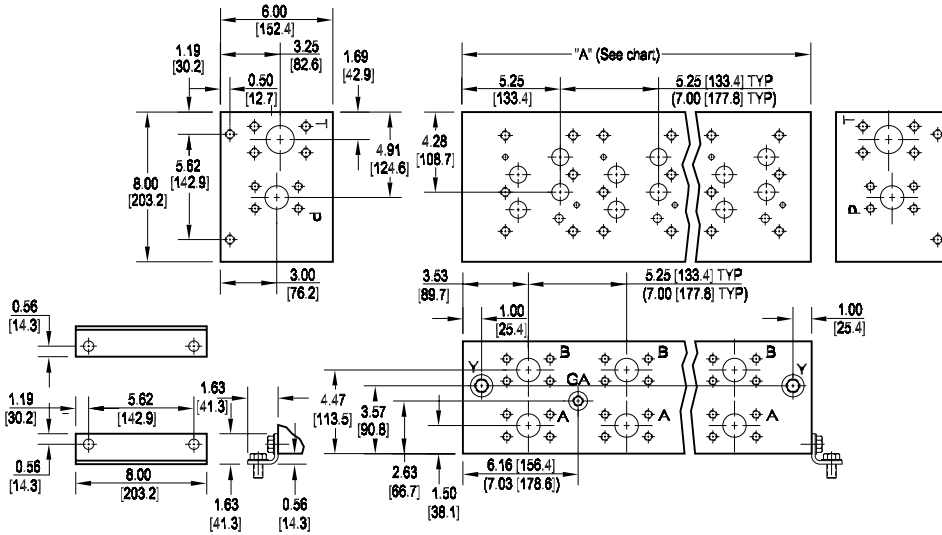
| Relief Cavity | |
|-----------------------------|--|
| Omit if relief not required | |
| C | Common cavity C-16-2 (P in nose) |
| S | Sun Cavity T-16A (P in nose) See Tech Info for valves. |

| Tank Isolation | |
|----------------------------------|-------------------------------|
| Omit if T isolation not required | |
| TA...TF | Available with spacing code 5 |
| TA...TD | Available with spacing code 7 |

| Relief / Isolation Combination | |
|---|--|
| Specify when using both relief and isolation options. | |
| L | Relief cavity is located left of the isolation. |
| R | Relief cavity is located right of the isolation. |
| D | Two relief cavities, one each side of isolation. |

| Pressure Isolation | |
|----------------------------------|-------------------------------|
| Omit if P isolation not required | |
| PA...PF | Available with spacing code 5 |
| PA...PD | Available with spacing code 7 |

D08 High Flow Parallel Circuit Manifold - Flange Ports



Rated flow Pressure 57 gpm @ 15 fps
Rated flow Tank 83 gpm @ 15 fps

| No. of stations | 01 | 02 | 03 | 04 | 05 | 06 | 07 |
|---------------------------------------|-----------------|------------------|------------------|------------------|------------------|------------------|------------------|
| "A" length (code 5 spa.) inch [mm] | 7.63 [193.7] | 12.88 [327.0] | 18.13 [460.4] | 23.38 [593.7] | 28.63 [727.1] | 33.88 [860.4] | 39.13 [993.8] |
| apx. weight alum lb [kg] | 37 [16.6] | 62 [28] | 87 [40] | 112 [51] | 137 [62] | 163 [74] | 188 [85] |
| apx. weight iron lb [kg] | 99 [45] | 167 [76] | 235 [107] | 303 [137] | -- | -- | -- |
| "A" length (code 7 spa.) inch [mm] | -- | 14.63 [371.5] | 21.63 [549.3] | 28.63 [727.1] | 35.63 [904.9] | -- | -- |
| apx. weight alum lb [kg] | -- | 70 [32] | 104 [47] | 137 [62] | 171 [78] | -- | -- |
| apx. weight iron lb [kg] | -- | 190 [86] | 280 [127] | -- | -- | -- | -- |

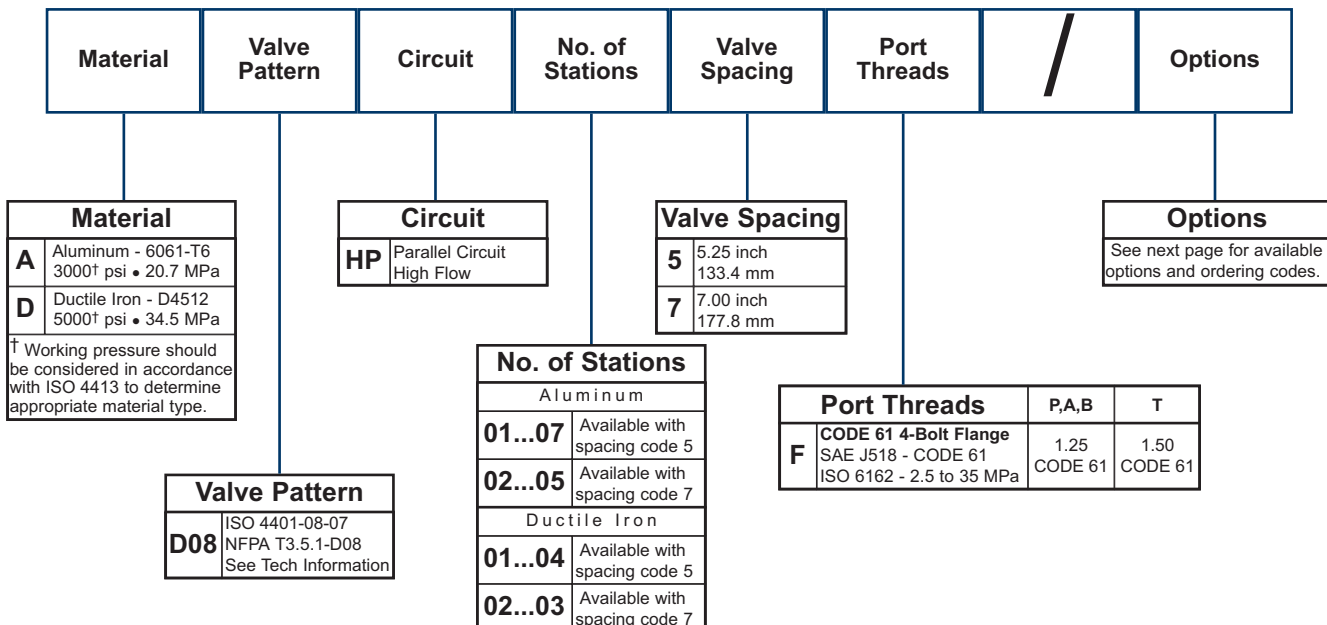
All mounting hardware is supplied.
See page 63 for itemized list.

| Port code | Valve mtg. | Manifold mtg. | Flange mtg. | GA port | Y port | X port * |
|--------------|-------------------------------|-------------------------------|-----------------------------|-----------------|------------------------|------------------------|
| F | 0.50-13 UNC x 1.19 [30] DP | 0.50-13 UNC x 0.88 [22] DP | ISO 6162 Type II - Inch | -6 SAE J1926 | -8 SAE J1926 | -4 SAE J1926 |
| F / M | M12 ISO 6H x 1.19 [30] DP | M12 ISO 6H x 0.88 [22] DP | ISO 6162 Type I - metric | NONE | M16 ISO 6149 | M10 ISO 6149 |

* X port is optional. See options on next page.

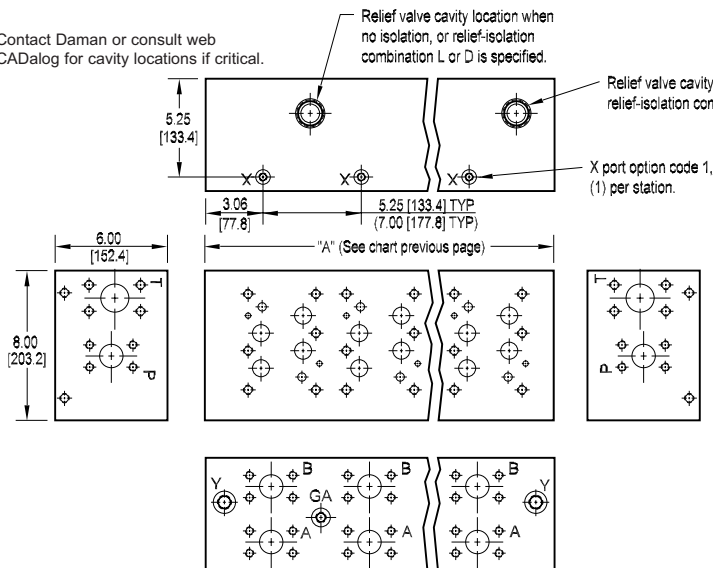
Specifications, descriptions, and dimensional data are subject to correction or change without notice or incurring obligation.
Download latest catalog page revisions at www.damanifolds.com.

Ordering Information



Options - D08 High Flow Parallel Manifold Flange Ports

Contact Daman or consult web CADalog for cavity locations if critical.

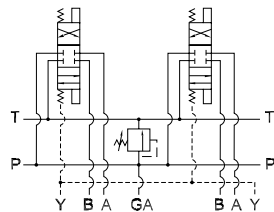


| ISOLATIONS | | |
|--|----------------------------------|--------------------------|
| Daman isolation options allow a manifold to have two independent pressure and/or tank ports. Isolations are drilled rather than plugged to ensure a leakproof and failproof isolation. | | |
| Ordering code letter: | * Isolation is between stations: | Available # of stations: |
| 5.25 [133.4] spacing | | |
| A | 01 & 02 | 02-07 |
| B | 02 & 03 | 03-07 |
| C | 03 & 04 | 04-07 |
| D | 04 & 05 | 05-07 |
| E | 05 & 06 | 06-07 |
| F | 06 & 07 | 07 |
| 7.00 [177.8] spacing | | |
| A | 01 & 02 | 02-05 |
| B | 02 & 03 | 03-05 |
| C | 03 & 04 | 04-05 |
| D | 04 & 05 | 05 |

* Stations are numbered left to right.

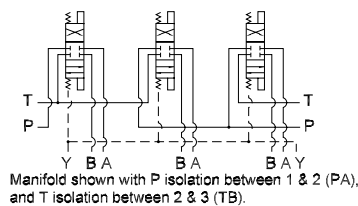
| NOTES: | |
|--|--|
| 1) The GA port is not available when a pressure isolation is located between stations 1 & 2. | |

Parallel Circuit with Relief

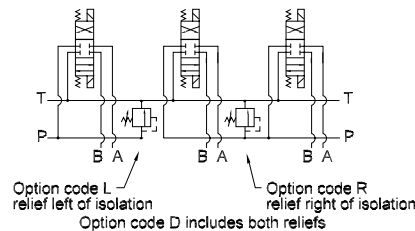


Valve with P in nose must be used.

Parallel Circuit with Isolations



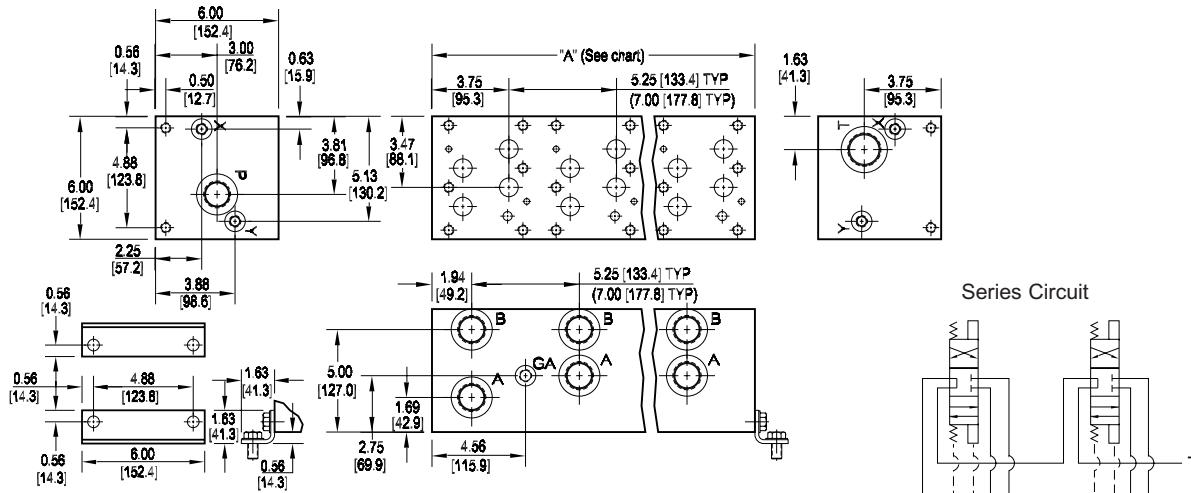
Relief / Isolation Combination



Ordering Information

| Thread Type | Pilot Ports | Relief Cavity | Pressure Isolation | Tank Isolation | Relief & Isolation | | | | | | | | | | | | | | | | | | | | | | | | | | | | | | | | | | | | | | | | | | | | | | |
|--|--|---------------|--------------------|----------------------|--------------------|------------------------|---|-------------|--|------------------------------|--|---|---------------------------------------|---|---------------|--|-----------------------------|--|---|----------------------------------|---|--|---|--------------------|--|----------------------------------|--|---------|-------------------------------|---------|-------------------------------|---|----------------|--|----------------------------------|--|---------|-------------------------------|---------|-------------------------------|---|--------------------------------|--|---|--|---|---|---|--|---|--|
| <table border="1"> <thead> <tr> <th colspan="2">Thread Type</th> </tr> </thead> <tbody> <tr> <td>Omit</td> <td>Inch threads / ports</td> </tr> <tr> <td>M</td> <td>Metric threads / ports</td> </tr> </tbody> </table> | Thread Type | | Omit | Inch threads / ports | M | Metric threads / ports | <table border="1"> <thead> <tr> <th colspan="2">Pilot Ports</th> </tr> </thead> <tbody> <tr> <td colspan="2">Omit if X ports not required</td> </tr> <tr> <td>1</td> <td>X port ISO 4401-08-07 NFPA T3.5.1-D08</td> </tr> </tbody> </table> | Pilot Ports | | Omit if X ports not required | | 1 | X port ISO 4401-08-07 NFPA T3.5.1-D08 | <table border="1"> <thead> <tr> <th colspan="2">Relief Cavity</th> </tr> </thead> <tbody> <tr> <td colspan="2">Omit if relief not required</td> </tr> <tr> <td>C</td> <td>Common cavity C-16-2 (P in nose)</td> </tr> <tr> <td>S</td> <td>Sun Cavity T-16A (P in nose) See Tech Info for valves.</td> </tr> </tbody> </table> | Relief Cavity | | Omit if relief not required | | C | Common cavity C-16-2 (P in nose) | S | Sun Cavity T-16A (P in nose) See Tech Info for valves. | <table border="1"> <thead> <tr> <th colspan="2">Pressure Isolation</th> </tr> </thead> <tbody> <tr> <td colspan="2">Omit if P isolation not required</td> </tr> <tr> <td>PA...PF</td> <td>Available with spacing code 5</td> </tr> <tr> <td>PA...PD</td> <td>Available with spacing code 7</td> </tr> </tbody> </table> | Pressure Isolation | | Omit if P isolation not required | | PA...PF | Available with spacing code 5 | PA...PD | Available with spacing code 7 | <table border="1"> <thead> <tr> <th colspan="2">Tank Isolation</th> </tr> </thead> <tbody> <tr> <td colspan="2">Omit if T isolation not required</td> </tr> <tr> <td>TA...TF</td> <td>Available with spacing code 5</td> </tr> <tr> <td>TA...TD</td> <td>Available with spacing code 7</td> </tr> </tbody> </table> | Tank Isolation | | Omit if T isolation not required | | TA...TF | Available with spacing code 5 | TA...TD | Available with spacing code 7 | <table border="1"> <thead> <tr> <th colspan="2">Relief / Isolation Combination</th> </tr> </thead> <tbody> <tr> <td colspan="2">Specify when using both relief and isolation options.</td> </tr> <tr> <td>L</td> <td>Relief cavity is located left of the isolation.</td> </tr> <tr> <td>R</td> <td>Relief cavity is located right of the isolation.</td> </tr> <tr> <td>D</td> <td>Two relief cavities, one each side of isolation.</td> </tr> </tbody> </table> | Relief / Isolation Combination | | Specify when using both relief and isolation options. | | L | Relief cavity is located left of the isolation. | R | Relief cavity is located right of the isolation. | D | Two relief cavities, one each side of isolation. |
| Thread Type | | | | | | | | | | | | | | | | | | | | | | | | | | | | | | | | | | | | | | | | | | | | | | | | | | | |
| Omit | Inch threads / ports | | | | | | | | | | | | | | | | | | | | | | | | | | | | | | | | | | | | | | | | | | | | | | | | | | |
| M | Metric threads / ports | | | | | | | | | | | | | | | | | | | | | | | | | | | | | | | | | | | | | | | | | | | | | | | | | | |
| Pilot Ports | | | | | | | | | | | | | | | | | | | | | | | | | | | | | | | | | | | | | | | | | | | | | | | | | | | |
| Omit if X ports not required | | | | | | | | | | | | | | | | | | | | | | | | | | | | | | | | | | | | | | | | | | | | | | | | | | | |
| 1 | X port ISO 4401-08-07 NFPA T3.5.1-D08 | | | | | | | | | | | | | | | | | | | | | | | | | | | | | | | | | | | | | | | | | | | | | | | | | | |
| Relief Cavity | | | | | | | | | | | | | | | | | | | | | | | | | | | | | | | | | | | | | | | | | | | | | | | | | | | |
| Omit if relief not required | | | | | | | | | | | | | | | | | | | | | | | | | | | | | | | | | | | | | | | | | | | | | | | | | | | |
| C | Common cavity C-16-2 (P in nose) | | | | | | | | | | | | | | | | | | | | | | | | | | | | | | | | | | | | | | | | | | | | | | | | | | |
| S | Sun Cavity T-16A (P in nose) See Tech Info for valves. | | | | | | | | | | | | | | | | | | | | | | | | | | | | | | | | | | | | | | | | | | | | | | | | | | |
| Pressure Isolation | | | | | | | | | | | | | | | | | | | | | | | | | | | | | | | | | | | | | | | | | | | | | | | | | | | |
| Omit if P isolation not required | | | | | | | | | | | | | | | | | | | | | | | | | | | | | | | | | | | | | | | | | | | | | | | | | | | |
| PA...PF | Available with spacing code 5 | | | | | | | | | | | | | | | | | | | | | | | | | | | | | | | | | | | | | | | | | | | | | | | | | | |
| PA...PD | Available with spacing code 7 | | | | | | | | | | | | | | | | | | | | | | | | | | | | | | | | | | | | | | | | | | | | | | | | | | |
| Tank Isolation | | | | | | | | | | | | | | | | | | | | | | | | | | | | | | | | | | | | | | | | | | | | | | | | | | | |
| Omit if T isolation not required | | | | | | | | | | | | | | | | | | | | | | | | | | | | | | | | | | | | | | | | | | | | | | | | | | | |
| TA...TF | Available with spacing code 5 | | | | | | | | | | | | | | | | | | | | | | | | | | | | | | | | | | | | | | | | | | | | | | | | | | |
| TA...TD | Available with spacing code 7 | | | | | | | | | | | | | | | | | | | | | | | | | | | | | | | | | | | | | | | | | | | | | | | | | | |
| Relief / Isolation Combination | | | | | | | | | | | | | | | | | | | | | | | | | | | | | | | | | | | | | | | | | | | | | | | | | | | |
| Specify when using both relief and isolation options. | | | | | | | | | | | | | | | | | | | | | | | | | | | | | | | | | | | | | | | | | | | | | | | | | | | |
| L | Relief cavity is located left of the isolation. | | | | | | | | | | | | | | | | | | | | | | | | | | | | | | | | | | | | | | | | | | | | | | | | | | |
| R | Relief cavity is located right of the isolation. | | | | | | | | | | | | | | | | | | | | | | | | | | | | | | | | | | | | | | | | | | | | | | | | | | |
| D | Two relief cavities, one each side of isolation. | | | | | | | | | | | | | | | | | | | | | | | | | | | | | | | | | | | | | | | | | | | | | | | | | | |

D08 Series Circuit Manifold



| No. of stations | 02 | 03 |
|---------------------------------------|------------------|------------------|
| "A" length (code 5 spa.) inch [mm] | 10.50 [266.7] | 15.75 [400.1] |
| apx. weight alum lb [kg] | 37 [17] | 51 [23] |
| apx. weight iron lb [kg] | 109 [49] | 164 [74] |
| "A" length (code 7 spa.) inch [mm] | 12.25 [311.2] | 19.25 [489.0] |
| apx. weight alum lb [kg] | 51 [23] | 63 [29] |
| apx. weight iron lb [kg] | 127 [58] | 200 [91] |

All mounting hardware is supplied.
See page 63 for itemized list.

| Port code | Valve mtg. | Manifold mtg. |
|-----------|-------------------------------|---------------------------------|
| P, S | 0.50-13 UNC x 1.19 [30] DP | 0.50-13 UNC x 0.88 [22.3] DP |
| B, M, T | M12 ISO 6H x 1.19 [30] DP | M12 ISO 6H x 0.88 [22.3] DP |

Specifications, descriptions, and dimensional data are subject to correction or change without notice or incurring obligation.
Download latest catalog page revisions at www.damanifolds.com.

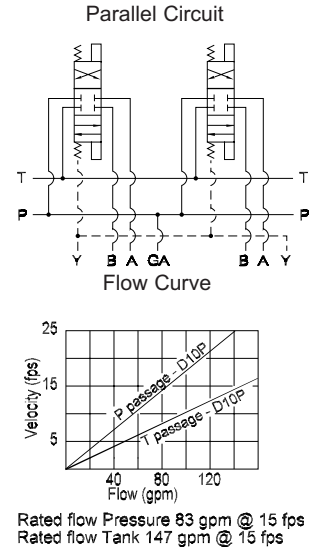
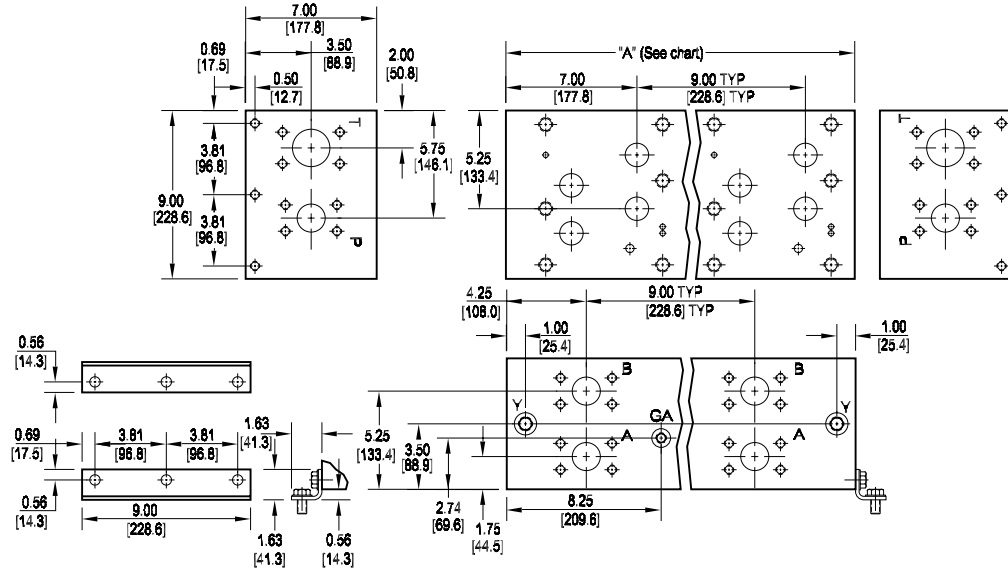
Ordering Information

| Material | Valve Pattern | Circuit | No. of Stations | Valve Spacing | Port Threads | Options | | | | | | | | | | | | | | | | | | | | | | | | | | | | | | | | | | | | | | | | | | | | | | | | | | | | | | | | | | | | | | | | | | | | | | | | | | | | | | | | |
|---|---|---------|-----------------|--|--------------|--|---|---------------|--|------------|---|--|---------|--|----------|----------------|---|-----------------|--|----------|--|----------------|-------------------------------|----------------|-------------------------------|--------------|--|----------------|-------------------------------|----------------|-------------------------------|---|---------------|--|----------|-----------------------|----------|-----------------------|---|--------------|--|--|--|--|--|--|-------|---|-------|----|--|----------|---------------------|------|------|------|------|----------|-----------------|-----|-----|----|----|----------|-----------------|------|------|------|------|----------|----------------|-----|-----|-----|------|----------|--------------|------|------|------|------|---|---------|--|-----------------------|--|
| <table border="1" style="width: 100%; border-collapse: collapse;"> <thead> <tr> <th colspan="2">Material</th> </tr> </thead> <tbody> <tr> <td style="text-align: center;">A</td> <td>Aluminum - 6061-T6 3000† psi • 20.7 MPa</td> </tr> <tr> <td style="text-align: center;">D</td> <td>Ductile Iron - D4512 5000† psi • 34.5 MPa</td> </tr> </tbody> </table> <p>† Working pressure should be considered in accordance with ISO 4413 to determine appropriate material type.</p> | Material | | A | Aluminum - 6061-T6 3000† psi • 20.7 MPa | D | Ductile Iron - D4512 5000† psi • 34.5 MPa | <table border="1" style="width: 100%; border-collapse: collapse;"> <thead> <tr> <th colspan="2">Valve Pattern</th> </tr> </thead> <tbody> <tr> <td style="text-align: center;">D08</td> <td>ISO 4401-08-07 NFPA T3.5.1-D08 See Tech Information</td> </tr> </tbody> </table> | Valve Pattern | | D08 | ISO 4401-08-07 NFPA T3.5.1-D08 See Tech Information | <table border="1" style="width: 100%; border-collapse: collapse;"> <thead> <tr> <th colspan="2">Circuit</th> </tr> </thead> <tbody> <tr> <td style="text-align: center;">S</td> <td>Series Circuit</td> </tr> </tbody> </table> | Circuit | | S | Series Circuit | <table border="1" style="width: 100%; border-collapse: collapse;"> <thead> <tr> <th colspan="2">No. of Stations</th> </tr> </thead> <tbody> <tr> <td colspan="2" style="text-align: center;">Aluminum</td> </tr> <tr> <td style="text-align: center;">02...03</td> <td>Available with spacing code 5</td> </tr> <tr> <td style="text-align: center;">02...03</td> <td>Available with spacing code 7</td> </tr> <tr> <td colspan="2" style="text-align: center;">Ductile Iron</td> </tr> <tr> <td style="text-align: center;">02...03</td> <td>Available with spacing code 5</td> </tr> <tr> <td style="text-align: center;">02...03</td> <td>Available with spacing code 7</td> </tr> </tbody> </table> | No. of Stations | | Aluminum | | 02...03 | Available with spacing code 5 | 02...03 | Available with spacing code 7 | Ductile Iron | | 02...03 | Available with spacing code 5 | 02...03 | Available with spacing code 7 | <table border="1" style="width: 100%; border-collapse: collapse;"> <thead> <tr> <th colspan="2">Valve Spacing</th> </tr> </thead> <tbody> <tr> <td style="text-align: center;">5</td> <td>5.25 inch 133.4 mm</td> </tr> <tr> <td style="text-align: center;">7</td> <td>7.00 inch 177.8 mm</td> </tr> </tbody> </table> | Valve Spacing | | 5 | 5.25 inch 133.4 mm | 7 | 7.00 inch 177.8 mm | <table border="1" style="width: 100%; border-collapse: collapse;"> <thead> <tr> <th colspan="6">Port Threads</th> </tr> <tr> <th></th> <th>P,A,B</th> <th>T</th> <th>X & Y</th> <th>GA</th> <th></th> </tr> </thead> <tbody> <tr> <td style="text-align: center;">P</td> <td>NPTF • ANSI B1.20.3</td> <td>1.00</td> <td>1.25</td> <td>0.38</td> <td>0.25</td> </tr> <tr> <td style="text-align: center;">S</td> <td>SAE • ISO 11926</td> <td>-16</td> <td>-20</td> <td>-6</td> <td>-6</td> </tr> <tr> <td style="text-align: center;">B</td> <td>BSPP • ISO 1179</td> <td>1.00</td> <td>1.25</td> <td>0.38</td> <td>none</td> </tr> <tr> <td style="text-align: center;">M</td> <td>ISO • ISO 6149</td> <td>M33</td> <td>M42</td> <td>M14</td> <td>none</td> </tr> <tr> <td style="text-align: center;">T</td> <td>BSPT • ISO 7</td> <td>1.00</td> <td>1.25</td> <td>0.38</td> <td>none</td> </tr> </tbody> </table> | Port Threads | | | | | | | P,A,B | T | X & Y | GA | | P | NPTF • ANSI B1.20.3 | 1.00 | 1.25 | 0.38 | 0.25 | S | SAE • ISO 11926 | -16 | -20 | -6 | -6 | B | BSPP • ISO 1179 | 1.00 | 1.25 | 0.38 | none | M | ISO • ISO 6149 | M33 | M42 | M14 | none | T | BSPT • ISO 7 | 1.00 | 1.25 | 0.38 | none | <table border="1" style="width: 100%; border-collapse: collapse;"> <thead> <tr> <th colspan="2">Options</th> </tr> </thead> <tbody> <tr> <td colspan="2" style="text-align: center;">No options available.</td> </tr> </tbody> </table> | Options | | No options available. | |
| Material | | | | | | | | | | | | | | | | | | | | | | | | | | | | | | | | | | | | | | | | | | | | | | | | | | | | | | | | | | | | | | | | | | | | | | | | | | | | | | | | | | | | | | |
| A | Aluminum - 6061-T6 3000† psi • 20.7 MPa | | | | | | | | | | | | | | | | | | | | | | | | | | | | | | | | | | | | | | | | | | | | | | | | | | | | | | | | | | | | | | | | | | | | | | | | | | | | | | | | | | | | | |
| D | Ductile Iron - D4512 5000† psi • 34.5 MPa | | | | | | | | | | | | | | | | | | | | | | | | | | | | | | | | | | | | | | | | | | | | | | | | | | | | | | | | | | | | | | | | | | | | | | | | | | | | | | | | | | | | | |
| Valve Pattern | | | | | | | | | | | | | | | | | | | | | | | | | | | | | | | | | | | | | | | | | | | | | | | | | | | | | | | | | | | | | | | | | | | | | | | | | | | | | | | | | | | | | | |
| D08 | ISO 4401-08-07 NFPA T3.5.1-D08 See Tech Information | | | | | | | | | | | | | | | | | | | | | | | | | | | | | | | | | | | | | | | | | | | | | | | | | | | | | | | | | | | | | | | | | | | | | | | | | | | | | | | | | | | | | |
| Circuit | | | | | | | | | | | | | | | | | | | | | | | | | | | | | | | | | | | | | | | | | | | | | | | | | | | | | | | | | | | | | | | | | | | | | | | | | | | | | | | | | | | | | | |
| S | Series Circuit | | | | | | | | | | | | | | | | | | | | | | | | | | | | | | | | | | | | | | | | | | | | | | | | | | | | | | | | | | | | | | | | | | | | | | | | | | | | | | | | | | | | | |
| No. of Stations | | | | | | | | | | | | | | | | | | | | | | | | | | | | | | | | | | | | | | | | | | | | | | | | | | | | | | | | | | | | | | | | | | | | | | | | | | | | | | | | | | | | | | |
| Aluminum | | | | | | | | | | | | | | | | | | | | | | | | | | | | | | | | | | | | | | | | | | | | | | | | | | | | | | | | | | | | | | | | | | | | | | | | | | | | | | | | | | | | | | |
| 02...03 | Available with spacing code 5 | | | | | | | | | | | | | | | | | | | | | | | | | | | | | | | | | | | | | | | | | | | | | | | | | | | | | | | | | | | | | | | | | | | | | | | | | | | | | | | | | | | | | |
| 02...03 | Available with spacing code 7 | | | | | | | | | | | | | | | | | | | | | | | | | | | | | | | | | | | | | | | | | | | | | | | | | | | | | | | | | | | | | | | | | | | | | | | | | | | | | | | | | | | | | |
| Ductile Iron | | | | | | | | | | | | | | | | | | | | | | | | | | | | | | | | | | | | | | | | | | | | | | | | | | | | | | | | | | | | | | | | | | | | | | | | | | | | | | | | | | | | | | |
| 02...03 | Available with spacing code 5 | | | | | | | | | | | | | | | | | | | | | | | | | | | | | | | | | | | | | | | | | | | | | | | | | | | | | | | | | | | | | | | | | | | | | | | | | | | | | | | | | | | | | |
| 02...03 | Available with spacing code 7 | | | | | | | | | | | | | | | | | | | | | | | | | | | | | | | | | | | | | | | | | | | | | | | | | | | | | | | | | | | | | | | | | | | | | | | | | | | | | | | | | | | | | |
| Valve Spacing | | | | | | | | | | | | | | | | | | | | | | | | | | | | | | | | | | | | | | | | | | | | | | | | | | | | | | | | | | | | | | | | | | | | | | | | | | | | | | | | | | | | | | |
| 5 | 5.25 inch 133.4 mm | | | | | | | | | | | | | | | | | | | | | | | | | | | | | | | | | | | | | | | | | | | | | | | | | | | | | | | | | | | | | | | | | | | | | | | | | | | | | | | | | | | | | |
| 7 | 7.00 inch 177.8 mm | | | | | | | | | | | | | | | | | | | | | | | | | | | | | | | | | | | | | | | | | | | | | | | | | | | | | | | | | | | | | | | | | | | | | | | | | | | | | | | | | | | | | |
| Port Threads | | | | | | | | | | | | | | | | | | | | | | | | | | | | | | | | | | | | | | | | | | | | | | | | | | | | | | | | | | | | | | | | | | | | | | | | | | | | | | | | | | | | | | |
| | P,A,B | T | X & Y | GA | | | | | | | | | | | | | | | | | | | | | | | | | | | | | | | | | | | | | | | | | | | | | | | | | | | | | | | | | | | | | | | | | | | | | | | | | | | | | | | | | | |
| P | NPTF • ANSI B1.20.3 | 1.00 | 1.25 | 0.38 | 0.25 | | | | | | | | | | | | | | | | | | | | | | | | | | | | | | | | | | | | | | | | | | | | | | | | | | | | | | | | | | | | | | | | | | | | | | | | | | | | | | | | | |
| S | SAE • ISO 11926 | -16 | -20 | -6 | -6 | | | | | | | | | | | | | | | | | | | | | | | | | | | | | | | | | | | | | | | | | | | | | | | | | | | | | | | | | | | | | | | | | | | | | | | | | | | | | | | | | |
| B | BSPP • ISO 1179 | 1.00 | 1.25 | 0.38 | none | | | | | | | | | | | | | | | | | | | | | | | | | | | | | | | | | | | | | | | | | | | | | | | | | | | | | | | | | | | | | | | | | | | | | | | | | | | | | | | | | |
| M | ISO • ISO 6149 | M33 | M42 | M14 | none | | | | | | | | | | | | | | | | | | | | | | | | | | | | | | | | | | | | | | | | | | | | | | | | | | | | | | | | | | | | | | | | | | | | | | | | | | | | | | | | | |
| T | BSPT • ISO 7 | 1.00 | 1.25 | 0.38 | none | | | | | | | | | | | | | | | | | | | | | | | | | | | | | | | | | | | | | | | | | | | | | | | | | | | | | | | | | | | | | | | | | | | | | | | | | | | | | | | | | |
| Options | | | | | | | | | | | | | | | | | | | | | | | | | | | | | | | | | | | | | | | | | | | | | | | | | | | | | | | | | | | | | | | | | | | | | | | | | | | | | | | | | | | | | | |
| No options available. | | | | | | | | | | | | | | | | | | | | | | | | | | | | | | | | | | | | | | | | | | | | | | | | | | | | | | | | | | | | | | | | | | | | | | | | | | | | | | | | | | | | | | |

| |
|----------------------------|
| Custom Products |
| Standard Manifolds |
| Cover Plates |
| Valve Adaptors |
| Subplates |
| Servo Valve Subplates |
| Tapping Plates |
| DIN Cartridge Valve Bodies |
| Header and Junction Blocks |
| Technical Information |

D10 Manifolds

D10 Parallel Circuit Manifold - Flange Ports



| No. of stations | 01 | 02 | 03 | 04 |
|-----------------------------|------------------|------------------|------------------|------------------|
| "A" length inch [mm] | 10.00 [254.0] | 19.00 [482.6] | 28.00 [711.2] | 37.00 [939.8] |
| apx. weight alum lb [kg] | 63 [29] | 120 [54] | 176 [80] | 233 [106] |
| apx. weight iron lb [kg] | 170 [77] | 323 [147] | -- | -- |

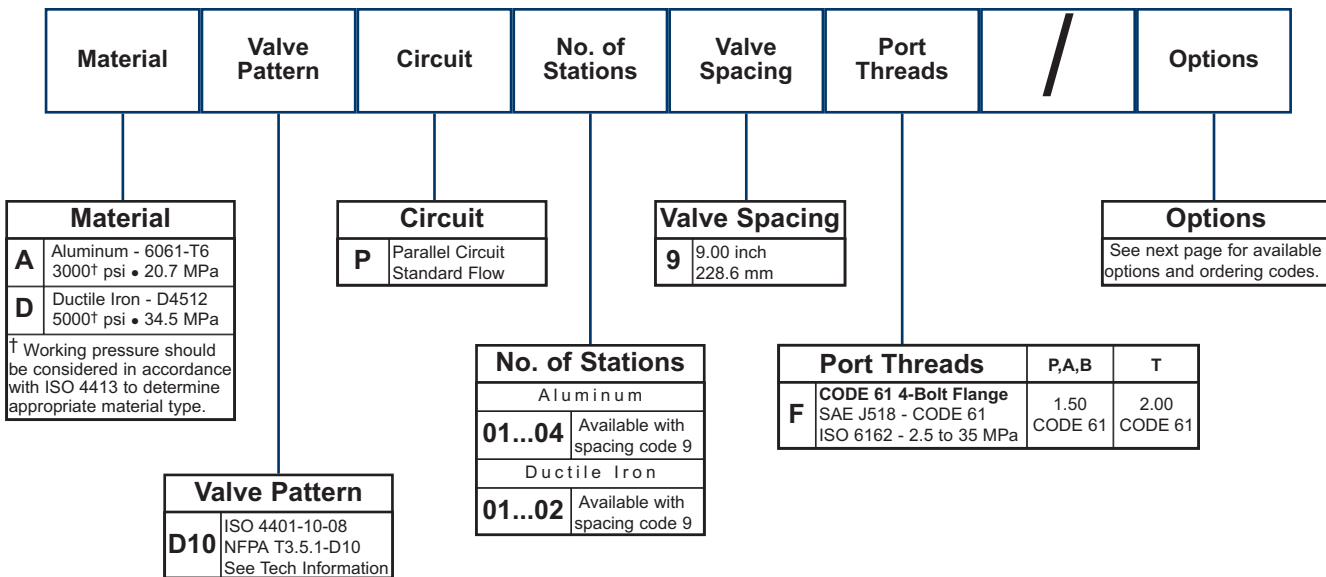
All mounting hardware is supplied.
See page 63 for itemized list.

| Port code | Valve mtg. | Manifold mtg. | Flange mtg. | GA port | Y port | X port |
|-----------|-------------------------------|-------------------------------|-----------------------------|-----------------|-----------------|-----------------|
| F | 0.75-10 UNC x 1.63 [41] DP | 0.50-13 UNC x 0.88 [22] DP | ISO 6162 Type II - Inch | -6 SAE J1926 | -8 SAE J1926 | -6 SAE J1926 |
| F / M | M20 ISO 6H x 1.63 [41] DP | M12 ISO 6H x 0.88 [22] DP | ISO 6162 Type I - metric | NONE | M16 ISO 6149 | M14 ISO 6149 |

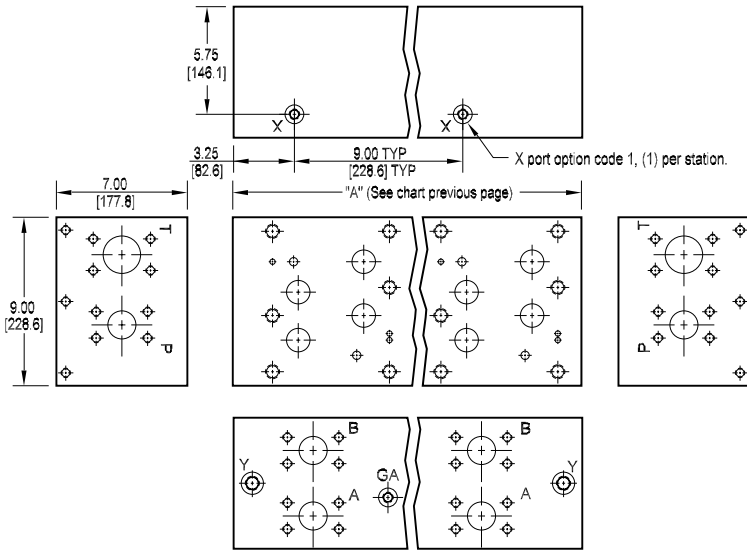
* X port is optional. See options on next page.

Specifications, descriptions, and dimensional data are subject to correction or change without notice or incurring obligation.
Download latest catalog page revisions at www.damanifolds.com.

Ordering Information

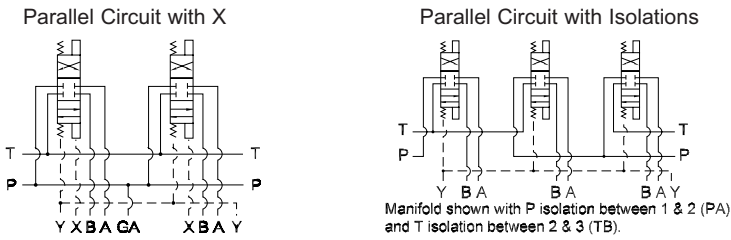


Options - D10 Parallel Manifold - Flange Ports

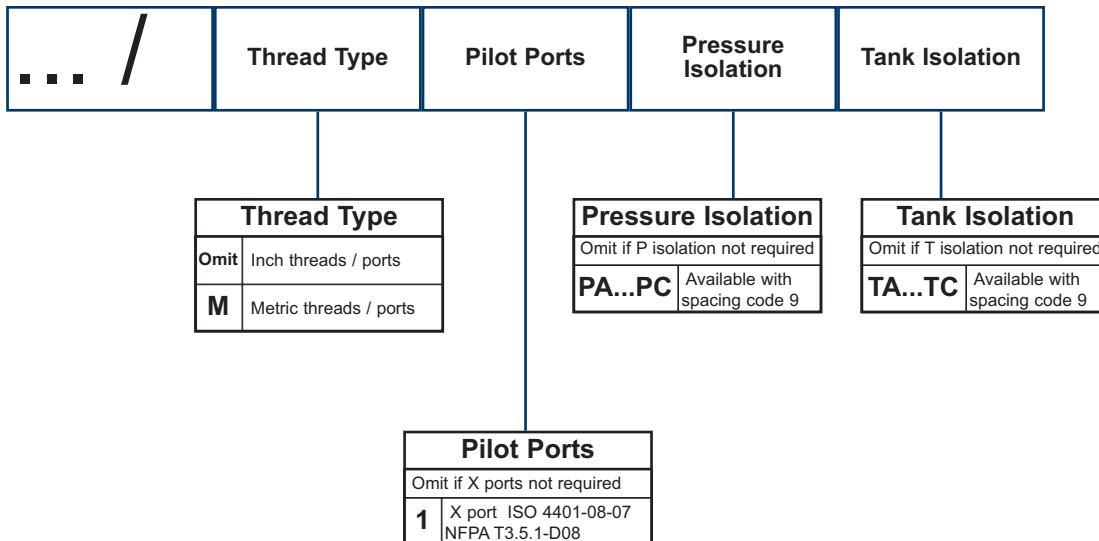


| ISOLATIONS | | |
|--|----------------------------------|--------------------------|
| Daman isolation options allow a manifold to have two independent pressure and/or tank ports. Isolations are drilled rather than plugged to ensure a leakproof and failproof isolation. | | |
| Ordering code letter: | * Isolation is between stations: | Available # of stations: |
| A | 01 & 02 | 02-04 |
| B | 02 & 03 | 03-04 |
| C | 03 & 04 | 04 |

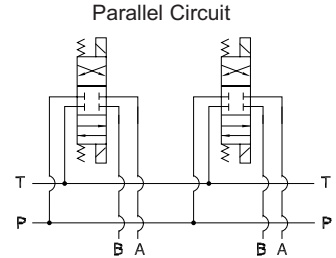
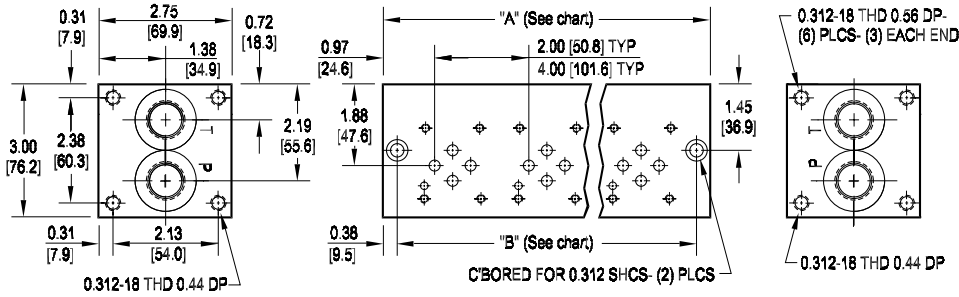
* Stations are numbered left to right.



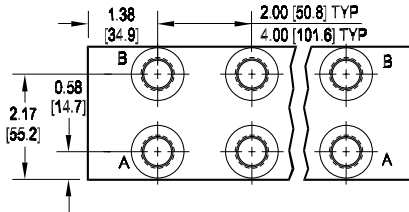
Ordering Information



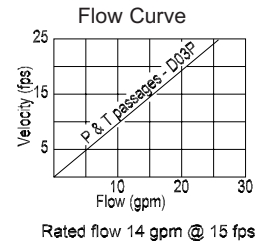
D03 LC Parallel Circuit Manifold



NOTE:
Mounting hardware is ordered separately.
 See page 60 for available bracket or screw mounting kits at no extra charge. Flange and gasket kits are also available for a nominal charge.



| | Code 2 (2.00") valve spacing | | | | | | Code 4 (4.00") valve spacing | | | |
|--------------------------|------------------------------|--------------|--------------|--------------|---------------|---------------|------------------------------|--------------|---------------|---------------|
| No. of stations | * 01 | 02 | 03 | 04 | 05 | 06 | No. of stations | 02 | 03 | 04 |
| "A" length inch [mm] | 2.75 [69.9] | 4.75 [120.7] | 6.75 [171.5] | 8.75 [222.3] | 10.75 [273.1] | 12.75 [323.9] | "A" length inch [mm] | 6.75 [171.5] | 10.75 [273.1] | 14.75 [374.7] |
| "B" dimension inch [mm] | 2.00 [50.8] | 4.00 [101.6] | 6.00 [152.4] | 8.00 [203.2] | 10.00 [254.0] | 12.00 [304.8] | "B" dimension inch [mm] | 6.00 [152.4] | 10.00 [254.0] | 14.00 [355.6] |
| apx. weight alum lb [kg] | 2.5 [1.2] | 4 [2] | 6 [3] | 7.5 [4] | 9 [4.5] | 11 [5] | apx. weight alum lb [kg] | 6 [3] | 9 [4.5] | 13 [6] |
| apx. weight iron lb [kg] | 6 [3] | 10.5 [5] | 15 [7] | 19 [9] | 23 [11] | 28 [13] | apx. weight iron lb [kg] | 15 [8] | 23 [12] | 32 [15] |



* "A" length of 01 station with relief cavity is 3.75 [95.3]. "B" dimension is 3.00 [76.2].

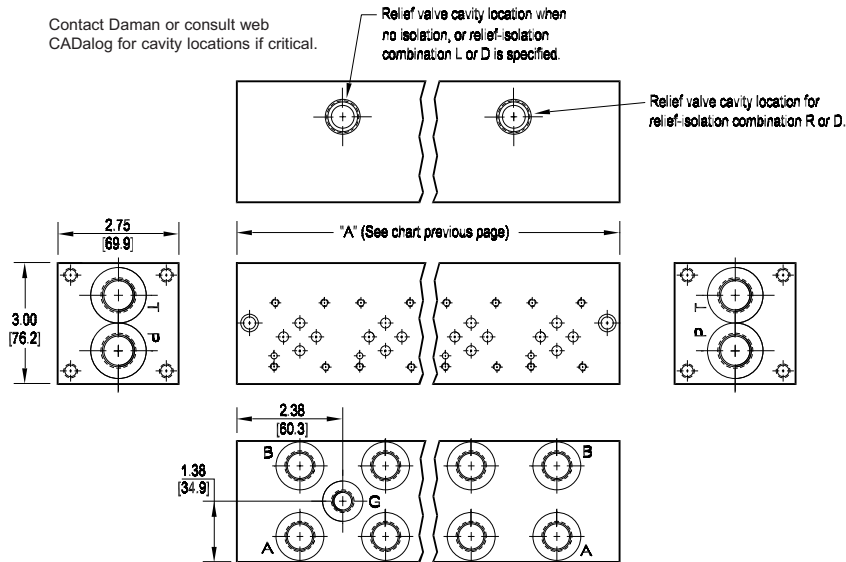
Specifications, descriptions, and dimensional data are subject to correction or change without notice or incurring obligation. Download latest catalog page revisions at www.damanifolds.com.

Ordering Information

| Product Line | Material | Valve Pattern | Circuit | No. of Stations | Valve Spacing | Port Threads | Options |
|-------------------|---|---|--|--|---|---|---|
| L Low Cost | A Aluminum - 6061-T6 3000† psi • 20.7 MPa D Ductile Iron - D4512 5000† psi • 34.5 MPa † Working pressure should be considered in accordance with ISO 4413 to determine appropriate material type. | D03 ISO 4401-03-02 NFFPA T3.5.1-D03 See Tech Information | P Parallel Circuit Standard Flow | 01...06 Available with spacing code 2 02...04 Available with spacing code 4 01...06 Available with spacing code 2 02...04 Available with spacing code 4 | 2 2.00 inch [50.8 mm] 4 4.00 inch [101.6 mm] | P NPTF • ANSI B1.20.3 0.50 0.38 S SAE • ISO 11926 -10 -8 | Options See next page for available options and ordering codes. |
| | | | | | | | |

Options - D03 LC Parallel Manifold

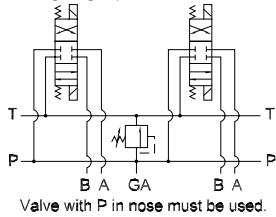
Contact Daman or consult web CADalog for cavity locations if critical.



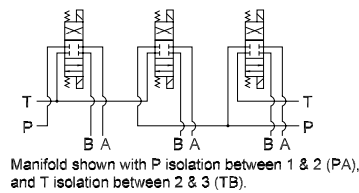
| ISOLATIONS | | |
|--|----------------------------------|--------------------------|
| Daman isolation options allow a manifold to have two independent pressure and/or tank ports. Isolations are drilled rather than plugged to ensure a leakproof and failproof isolation. | | |
| Ordering code letter: | * Isolation is between stations: | Available # of stations: |
| 2.00 [50.8] spacing | | |
| A | 01 & 02 | 02-06 |
| B | 02 & 03 | 03-06 |
| C | 03 & 04 | 04-06 |
| D | 04 & 05 | 05-06 |
| E | 05 & 06 | 06 |
| 4.00 [101.6] spacing | | |
| A | 01 & 02 | 02-04 |
| B | 02 & 03 | 03-04 |
| C | 03 & 04 | 04 |

* Stations are numbered left to right.

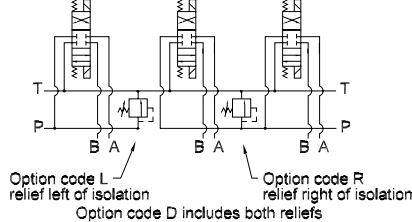
Parallel Circuit with Relief and gauge port



Parallel Circuit with Isolations



Relief / Isolation Combination



NOTES:

- 1) The GA port is not available on a (1) station manifold.
- 2) The GA port is not available when a pressure isolation is specified.
- 3) Some combinations of relief cavities and isolations are not possible. Consult factory to determine availability.

Ordering Information



| Gauge Port |
|--|
| Omit if gauge port not required. |
| G Gauge Port for system pressure |
| If Port Thread code is: P, then Gauge port = 0.25 NPTF S, then Gauge port = -4 SAE |

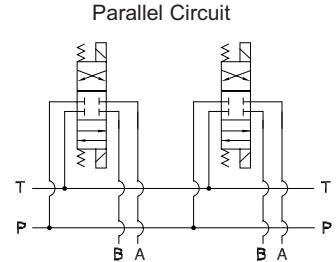
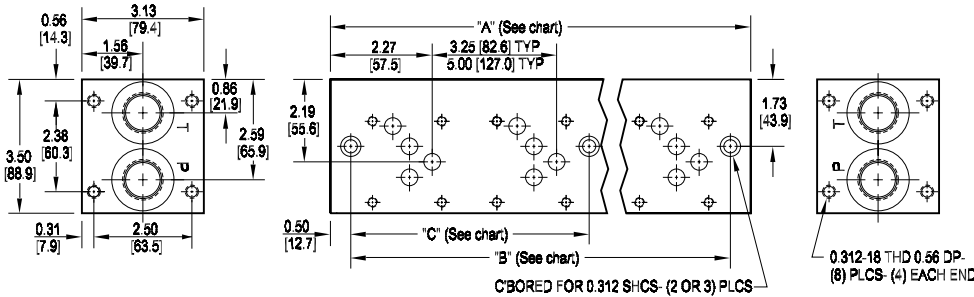
| Relief Cavity |
|--|
| Omit if relief not required. |
| C Common cavity C-10-2 (P in nose) |
| S Sun Cavity T-10A (P in nose) See Tech Info for valves. |

| Tank Isolation |
|--|
| Omit if T isolation not required. |
| TA...TE Available with spacing code 2 |
| TA...TC Available with spacing code 4 |

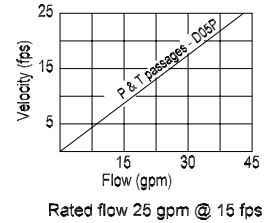
| Relief / Isolation Combination |
|---|
| Specify when using both relief and isolation options. |
| L Relief cavity is located left of the isolation. |
| R Relief cavity is located right of the isolation. |
| D Two relief cavities, one each side of isolation. |

| Pressure Isolation |
|--|
| Omit if P isolation not required. Not available with G option. |
| PA...PE Available with spacing code 2 |
| PA...PC Available with spacing code 4 |

D05 LC Parallel Circuit Manifold



Flow Curve



NOTE:
Mounting hardware is ordered separately.
 See page 60 for available bracket or screw mounting kits at no extra charge. Flange and gasket kits are also available for a nominal charge.

| Code 3 (3.25") valve spacing | | | | | | Code 5 (5.00") valve spacing | | | | |
|------------------------------|----------------|-----------------|-----------------|------------------|------------------|------------------------------|-----------------------------|-----------------|------------------|------------------|
| No. of stations | * 01 | 02 | 03 | 04 | 05 | 06 | No. of stations | 02 | 03 | 04 |
| "A" length inch [mm] | 3.25 [82.6] | 6.50 [165.1] | 9.75 [247.7] | 13.00 [330.2] | 16.25 [412.8] | 19.50 [495.3] | "A" length inch [mm] | 8.25 [209.6] | 13.25 [336.6] | 18.25 [463.6] |
| "B" dimension inch [mm] | 2.25 [57.2] | 5.50 [139.7] | 8.75 [222.3] | 12.00 [304.8] | 15.25 [387.4] | 18.50 [469.9] | "B" dimension inch [mm] | 7.25 [184.2] | 12.25 [311.2] | 17.25 [438.2] |
| "C" dimension inch [mm] | -- | -- | -- | -- | 6.00 [152.4] | 9.25 [235.0] | "C" dimension inch [mm] | -- | -- | 8.63 [219.1] |
| apx. weight alum lb [kg] | 4 [2] | 7.5 [3] | 11 [5] | 14.5 [7] | 18 [8] | 21.5 [10] | apx. weight alum lb [kg] | 9 [4] | 15 [7] | 20 [9] |
| apx. weight iron lb [kg] | 9.5 [4.5] | 19 [8.5] | 28 [13] | 37 [17] | 46.5 [21] | 56 [25.5] | apx. weight iron lb [kg] | 24 [11] | 38 [17] | 52 [24] |

* "A" length of 01 station with relief cavity is 4.50 [114.3]. "B" dimension is 3.50 [88.9].

Specifications, descriptions, and dimensional data are subject to correction or change without notice or incurring obligation. Download latest catalog page revisions at www.damanifolds.com.

Ordering Information

| Product Line | Material | Valve Pattern | Circuit | No. of Stations | Valve Spacing | Port Threads | Options |
|-------------------|---|---|--|--|---|---|---|
| L Low Cost | A Aluminum - 6061-T6 3000† psi • 20.7 MPa D Ductile Iron - D4512 5000† psi • 34.5 MPa † Working pressure should be considered in accordance with ISO 4413 to determine appropriate material type. | D05 ISO 4401-05-04 NFFPA T3.5.1-D05 See Tech Information | P Parallel Circuit Standard Flow | 01...06 Available with spacing code 3 02...04 Available with spacing code 5 01...06 Available with spacing code 3 02...04 Available with spacing code 5 | 3 3.25 inch [82.6 mm] 5 5.00 inch [127.0 mm] | P NPTF • ANSI B1.20.3 P & T A & B S SAE • ISO 11926 -12 -8 | Options See next page for available options and ordering codes. |
| | | | | | | | |

Options - D05 LC Parallel Manifold

Contact Daman or consult web CADalog for cavity locations if critical.

Relief valve cavity location when no isolation, or relief-isolation combination L or D is specified.

Relief valve cavity location for relief-isolation combination R or D.

ISOLATIONS

Daman isolation options allow a manifold to have two independent pressure and/or tank ports. Isolations are drilled rather than plugged to ensure a leakproof and failproof isolation.

| Ordering code letter: | * Isolation is between stations: | Available # of stations: |
|-----------------------|----------------------------------|--------------------------|
| 3.25 [82.6] spacing | | |
| A | 01 & 02 | 02-06 |
| B | 02 & 03 | 03-06 |
| C | 03 & 04 | 04-06 |
| D | 04 & 05 | 05-06 |
| E | 05 & 06 | 06 |
| 5.00 [127.0] spacing | | |
| A | 01 & 02 | 02-04 |
| B | 02 & 03 | 03-04 |
| C | 03 & 04 | 04 |

* Stations are numbered left to right.

Parallel Circuit with Relief cavity and gauge port

Valve with P in nose must be used.

Parallel Circuit with Isolations

Manifold shown with P isolation between 1 & 2 (PA), and T isolation between 2 & 3 (TB).

Relief / Isolation Combination

Option code L relief left of isolation
Option code R relief right of isolation
Option code D includes both reliefs

NOTES:

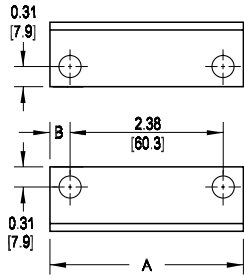
- The GA port is not available on a (1) station manifold.
- The GA port is not available when a pressure isolation is specified.
- Some combinations of relief cavities and isolations are not possible. Consult factory to determine availability.

Ordering Information

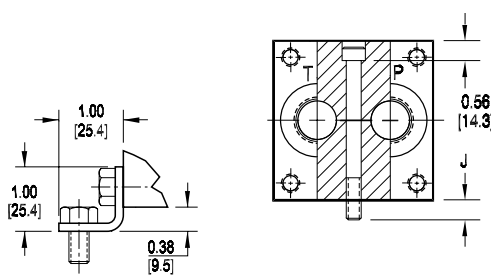
| ... | Gauge Port | Relief Cavity | Pressure Isolation | Tank Isolation | Relief & Isolation |
|-----|---|--|--|---|---|
| | <p style="text-align: center;">Gauge Port</p> <p>Omit if gauge port not required.</p> <p>G Gauge Port for system pressure</p> <p>If Port Thread code is: P, then Gauge port = 0.25 NPTF S, then Gauge port = -4 SAE</p> | <p style="text-align: center;">Relief Cavity</p> <p>Omit if relief not required.</p> <p>C Common cavity C-10-2 (P in nose)</p> <p>S Sun Cavity T-3A (P in nose) See Tech Info for valves.</p> | <p style="text-align: center;">Pressure Isolation</p> <p>Omit if P isolation not required. Not available with G option.</p> <p>PA...PE Available with spacing code 3</p> <p>PA...PC Available with spacing code 5</p> | <p style="text-align: center;">Tank Isolation</p> <p>Omit if T isolation not required.</p> <p>TA...TE Available with spacing code 3</p> <p>TA...TC Available with spacing code 5</p> | <p style="text-align: center;">Relief / Isolation Combination</p> <p>Specify when using both relief and isolation options.</p> <p>L Relief cavity is located left of the isolation.</p> <p>R Relief cavity is located right of the isolation.</p> <p>D Two relief cavities, one each side of isolation.</p> |

Mounting Kits for LC Manifolds

Mounting Bracket

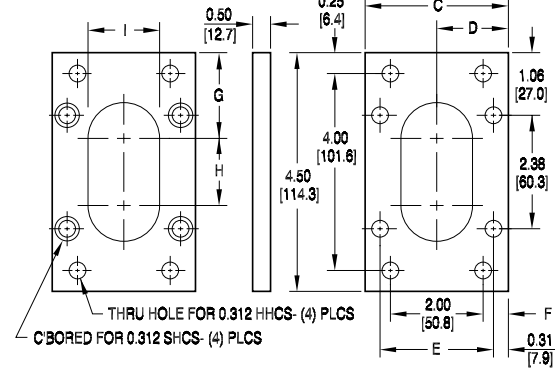


Mounting Screw

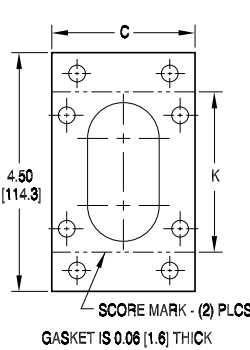


| Dim | A | B | C | D | E | F | G | H | I | J | K |
|-----|----------------|----------------|----------------|----------------|----------------|----------------|----------------|----------------|----------------|----------------|----------------|
| D03 | 3.00 [76.2] | 0.31 [7.9] | 2.75 [69.9] | 1.38 [34.9] | 2.13 [54.0] | 0.38 [9.5] | 1.47 [37.3] | 1.47 [37.3] | 1.33 [33.7] | 0.56 [14.3] | 3.25 [82.6] |
| D05 | 3.50 [88.9] | 0.56 [14.3] | 3.13 [79.4] | 1.56 [39.7] | 2.50 [63.5] | 0.56 [14.3] | 1.36 [34.6] | 1.73 [44.0] | 1.61 [41.0] | 0.69 [17.5] | 3.53 [89.7] |

Mounting Flange



Gasket

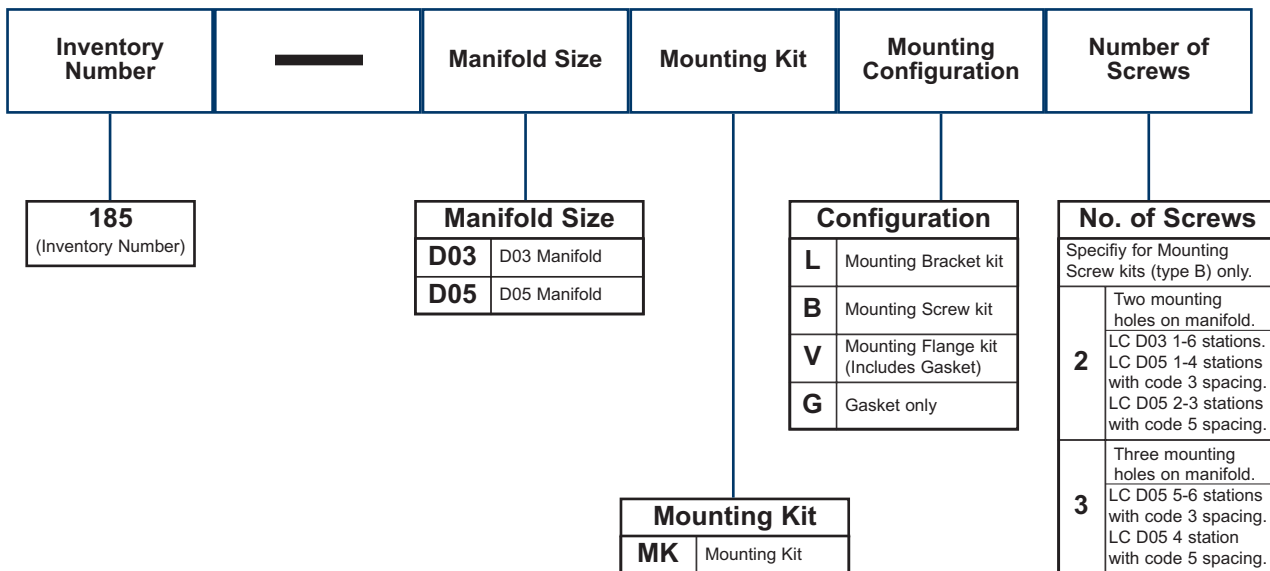


Bill of Materials

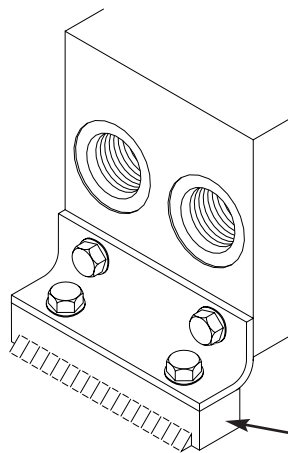
| Mounting Bracket and Mounting Flange Kits | 185-D03MKL | 185-D03MKV | 185-D05MKL | 185-D05MKV |
|---|-------------|-------------|-------------|------------|
| (2) zinc coated steel brackets | • | • | • | • |
| (1) zinc coated steel end mounting plate | | • | | • |
| (8) 0.312-18 x 0.63 long hex washer head cap screws | • | • | • | • |
| (1) 0.312-18 x 0.50 long socket head cap screw | | • | | |
| (3) 0.312-18 x 0.63 long socket head cap screws | | • | | |
| (4) 0.312-18 x 0.75 long socket head cap screws | | | | • |
| (4) 0.312-18 x 1.00 long hex head cap screws | | • | | • |
| (4) 0.312 high collar lock washers | | • | | • |
| (1) Tank top gasket | | • | | • |
| Mounting Screw Kits | 185-D03MKB2 | 185-D05MKB2 | 185-D05MKB3 | |
| (2) 0.312-18 x 2.75 long socket head cap screws | • | | | |
| (2) 0.312-18 x 3.25 long socket head cap screws | | • | | |
| (3) 0.312-18 x 3.25 long socket head cap screws | | | • | |

Specifications, descriptions, and dimensional data are subject to correction or change without notice or incurring obligation. Download latest catalog page revisions at www.damanifolds.com.

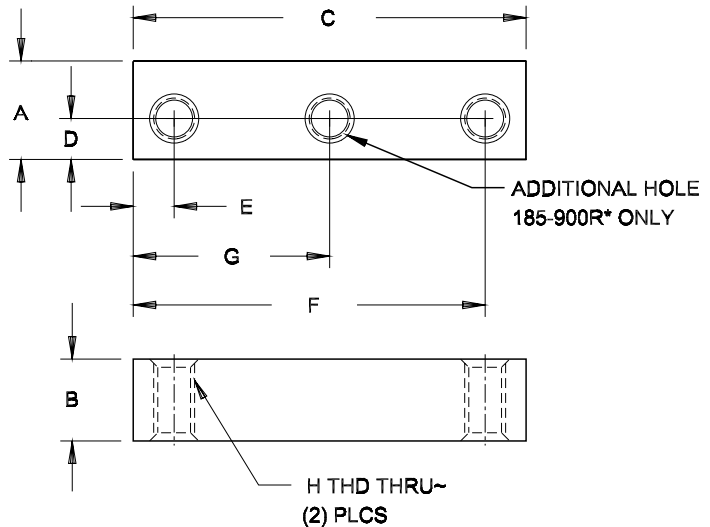
Ordering Information



Mounting Bracket Riser Blocks



Riser block
Material mild steel
Weldable • uncoated

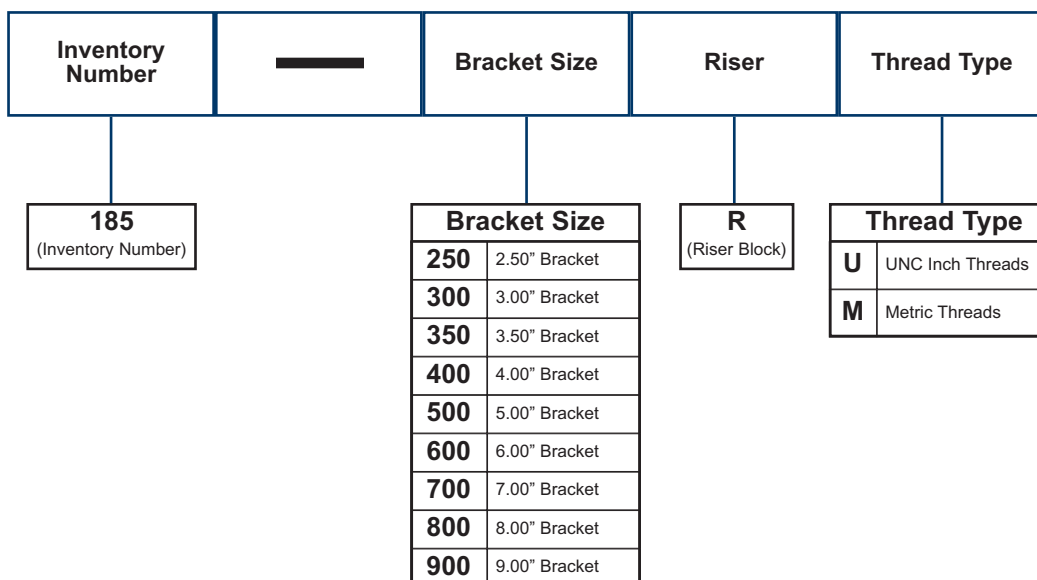


| Part No. | A | B | C | D | E | F | G | H THD |
|-----------|--------|--------|---------|--------|--------|---------|----|------------------|
| 185-250RU | 0.63 | 0.50 | 2.50 | 0.25 | 0.25 | 2.25 | -- | 0.250-20 UNC-2B |
| 185-250RM | [16.0] | [12.7] | [63.5] | [6.4] | [6.4] | [57.2] | -- | M6 x 1 ISO 6H |
| 185-300RU | 0.75 | 0.63 | 3.00 | 0.31 | 0.31 | 2.69 | -- | 0.312-18 UNC-2B |
| 185-300RM | [19.1] | [16.0] | [76.2] | [7.9] | [7.9] | [68.3] | -- | M8 x 1.25 ISO 6H |
| 185-350RU | 0.75 | 0.63 | 3.50 | 0.31 | 0.56 | 2.94 | -- | 0.312-18 UNC-2B |
| 185-350RM | [19.1] | [16.0] | [88.9] | [7.9] | [14.2] | [74.6] | -- | M8 x 1.25 ISO 6H |
| 185-400RU | 0.75 | 0.63 | 4.00 | 0.31 | 0.31 | 3.69 | -- | 0.312-18 UNC-2B |
| 185-400RM | [19.1] | [16.0] | [101.6] | [7.9] | [7.9] | [93.7] | -- | M8 x 1.25 ISO 6H |
| 185-500RU | 1.00 | 0.75 | 5.00 | 0.44 | 0.44 | 4.56 | -- | 0.375-16 UNC-2B |
| 185-500RM | [25.4] | [19.1] | [127.0] | [11.2] | [11.2] | [115.9] | -- | M10 x 1.5 ISO 6H |

| Part No. | A | B | C | D | E | F | G | H THD |
|-----------|--------|--------|---------|--------|--------|---------|---------|-------------------|
| 185-600RU | 1.25 | 1.00 | 6.00 | 0.56 | 0.56 | 5.44 | -- | 0.500-13 UNC-2B |
| 185-600RM | [31.8] | [25.4] | [152.4] | [14.2] | [14.2] | [138.1] | -- | M12 x 1.75 ISO 6H |
| 185-700RU | 1.25 | 1.00 | 7.00 | 0.56 | 0.69 | 6.31 | -- | 0.500-13 UNC-2B |
| 185-700RM | [31.8] | [25.4] | [177.8] | [14.2] | [17.5] | [160.3] | -- | M12 x 1.75 ISO 6H |
| 185-800RU | 1.25 | 1.00 | 8.00 | 0.56 | 1.19 | 6.81 | -- | 0.500-13 UNC-2B |
| 185-800RM | [31.8] | [25.4] | [203.2] | [14.2] | [30.2] | [173.0] | -- | M12 x 1.75 ISO 6H |
| 185-900RU | 1.25 | 1.00 | 9.00 | 0.56 | 0.69 | 8.31 | 4.50 | 0.500-13 UNC-2B |
| 185-900RM | [31.8] | [25.4] | [228.6] | [14.2] | [17.5] | [211.1] | [114.3] | M12 x 1.75 ISO 6H |

Specifications, descriptions, and dimensional data are subject to correction or change without notice or incurring obligation. Download latest catalog page revisions at www.damanifolds.com.

Ordering Information

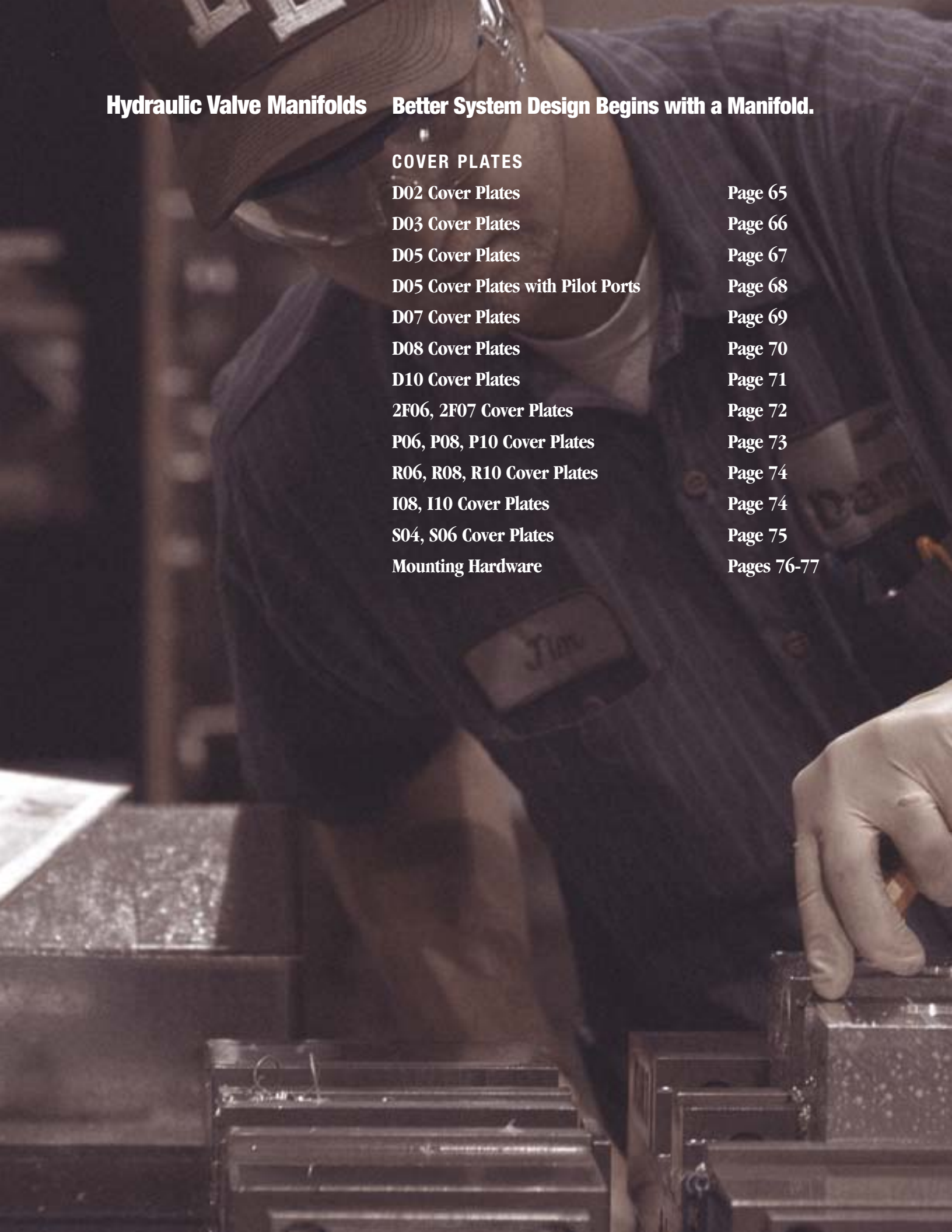


Manifold Mounting Hardware

| Part no. | Cat. pg. | Mtg. Kit no. | Gauge Port Plug | Mounting Screws | Brackets |
|-------------------|--------------|--------------|----------------------------|--|--------------------|
| * D02 P 01 1 P | 6-7 | 250-MKO | n/a | | (2) Steel brackets |
| * D02 P 01 1 S | 6-7 | 250-MKO | n/a | (8) UNC 0.25-20 x 0.50 long hex washer cap screw | |
| * D02 *** 1 P | 6-9 | 250-MKP | (1) 0.25-18 NPTF LSPP | | |
| * D02 *** 1 S | 6-9 | 250-MKS | (1) -6 SAE hex socket plug | | |
| * D02 *** 1 B | 6-9 | 250-MKM | n/a | (8) ISO 6H M6-1.0 x 12mm HHCS | |
| * D02 *** 1 M | 6-9 | 250-MKM | n/a | and (8) 0.25 SAE N series washers | |
| * D02 *** 1 T | 6-9 | 250-MKM | n/a | | |
| * D03 P 01 2 P | 10-11 | 300-MKO | n/a | | (2) Steel brackets |
| * D03 P 01 2 S | 10-11 | 300-MKO | n/a | (8) UNC 0.31-18 x 0.63 long hex washer cap screw | |
| * D03 *** P | 10-11, 20-21 | 300-MKP | (1) 0.25-18 NPTF LSPP | | |
| * D03 *** S | 10-11, 20-21 | 300-MKS | (1) -6 SAE hex socket plug | | |
| * D03 *** B | 10-11, 20-21 | 300-MKM | n/a | (8) ISO 6H M8-1.25 x 16mm HHCS | |
| * D03 *** M | 10-11, 20-21 | 300-MKM | n/a | and (8) 0.31 SAE N series washers | |
| * D03 *** T | 10-11, 20-21 | 300-MKM | n/a | | |
| * D03 TF * | 13 | 400-MKO | n/a | (8) UNC 0.31-18 x 0.63 long hex washer cap screw | (2) Steel brackets |
| * D03 HP 01 2 P | 14-15 | 400-MKO | n/a | | (2) Steel brackets |
| * D03 HP 01 2 S | 14-15 | 400-MKO | n/a | (8) UNC 0.31-18 x 0.63 long hex washer cap screw | |
| * D03 HP ** P | 14-15 | 400-MKP | (1) 0.25-18 NPTF LSPP | | |
| * D03 HP ** S | 14-15 | 400-MKS | (1) -6 SAE hex socket plug | | |
| * D03 HP ** B | 14-15 | 400-MKM | n/a | (8) ISO 6H M8-1.25 x 16mm HHCS | |
| * D03 HP ** M | 14-15 | 400-MKM | n/a | and (8) 0.31 SAE N series washers | |
| * D03 HP ** T | 14-15 | 400-MKM | n/a | | |
| * D03 HP 01 4 F | 16-17 | 500-MKO | n/a | (8) UNC 0.38-16 x 0.88 long HHCS | (2) Steel brackets |
| * D03 HP ** 4 F | 16-17 | 500-MKS | (1) -6 SAE hex socket plug | and (8) 0.38 SAE N series washers | |
| * D03 HP ** 4 F/M | 16-17 | 500-MKM | n/a | (8) ISO 6H M10-1.5 x 24mm HHCS and (8) 0.38 SAE N series washers | (2) Steel brackets |
| * D05 P 01 3 P | 22-23 | 350-MKO | n/a | | (2) Steel brackets |
| * D05 P 01 3 S | 22-23 | 350-MKO | n/a | (8) UNC 0.31-18 x 0.63 long hex washer cap screw | |
| * D05 *** P | 22-23, 34-35 | 350-MKP | (1) 0.25-18 NPTF LSPP | | |
| * D05 *** S | 22-23, 34-35 | 350-MKS | (1) -6 SAE hex socket plug | | |
| * D05 *** B | 22-23, 34-35 | 350-MKM | n/a | (8) ISO 6H M8-1.25 x 16mm HHCS | |
| * D05 *** M | 22-23, 34-35 | 350-MKM | n/a | and (8) 0.31 SAE N series washers | |
| * D05 *** T | 22-23, 34-35 | 350-MKM | n/a | | |
| * D05 TF * | 25 | 400-MKO | n/a | (8) UNC 0.31-18 x 0.63 long hex washer cap screw | (2) Steel brackets |
| * D05 HP 01 3 P | 26-27 | 500-MKO | n/a | | (2) Steel brackets |
| * D05 HP 01 3 S | 26-27 | 500-MKO | n/a | (8) UNC 0.38-16 x 0.88 long HHCS | |
| * D05 H* ** P | 26-27, 36-37 | 500-MKP | (1) 0.25-18 NPTF LSPP | and (8) 0.38 SAE N series washers | |
| * D05 H* ** S | 26-27, 36-37 | 500-MKS | (1) -6 SAE hex socket plug | | |
| * D05 H* ** B | 26-27, 36-37 | 500-MKM | n/a | (8) ISO 6H M10-1.5 x 24mm HHCS | |
| * D05 H* ** M | 26-27, 36-37 | 500-MKM | n/a | and (8) 0.38 SAE N series washers | |
| * D05 H* ** T | 26-27, 36-37 | 500-MKM | n/a | | |
| * D05 HP 01 5 F | 28-29 | 500-MKO | n/a | (8) UNC 0.38-16 x 0.88 long HHCS | (2) Steel brackets |
| * D05 HP ** 5 F | 28-29 | 500-MKS | (1) -6 SAE hex socket plug | and (8) 0.38 SAE N series washers | |
| * D05 HP ** 5 F/M | 28-29 | 500-MKM | n/a | (8) ISO 6H M10-1.5 x 24mm HHCS and (8) 0.38 SAE N series washers | (2) Steel brackets |

Manifold Mounting Hardware

| Part no. | Cat. pg. | Mtg. Kit no. | Gauge Port Plug | Mounting Screws | Brackets |
|-------------------|-----------|--------------|----------------------------|---|--------------------|
| * D05 JP 01 3 P | 32-33 | 500-MKO | n/a | | (2) Steel brackets |
| * D05 JP 01 3 S | 32-33 | 500-MKO | n/a | (8) UNC 0.38-16 x 0.88 long HHCS | |
| * D05 JP ** * P | 32-33 | 500-MKP | (1) 0.25-18 NPTF LSPP | and (8) 0.38 SAE N series washers | |
| * D05 JP ** * S | 32-33 | 500-MKS | (1) -6 SAE hex socket plug | | |
| * D05 JP ** * B | 32-33 | 500-MKM | n/a | (8) ISO 6H M10-1.5 x 24mm HHCS | |
| * D05 JP ** * M | 32-33 | 500-MKM | n/a | and (8) 0.38 SAE N series washers | |
| * D05 JP ** * T | 32-33 | 500-MKM | n/a | | |
| * D07 P 01 3 P | 38-39 | 500-MKO | n/a | | (2) Steel brackets |
| * D07 P 01 3 S | 38-39 | 500-MKO | n/a | (8) UNC 0.38-16 x 0.88 long HHCS | |
| * D07 P ** * P | 38-39 | 500-MKP | (1) 0.25-18 NPTF LSPP | and (8) 0.38 SAE N series washers | |
| * D07 P ** * S | 38-39 | 500-MKS | (1) -6 SAE hex socket plug | | |
| * D07 P ** * B | 38-39 | 500-MKM | n/a | (8) ISO 6H M10-1.5 x 24mm HHCS | |
| * D07 P ** * M | 38-39 | 500-MKM | n/a | and (8) 0.38 SAE N series washers | |
| * D07 P ** * T | 38-39 | 500-MKM | n/a | | |
| * D07 HP 01 4 P | 40-41 | 600-MKO | n/a | | (2) Steel brackets |
| * D07 HP 01 4 S | 40-41 | 600-MKO | n/a | (8) UNC 0.50-13 x 1.00 long HHCS | |
| * D07 HP ** 4 P | 40-41 | 600-MKP | (1) 0.25-18 NPTF LSPP | and (8) 0.50 SAE N series washers | |
| * D07 HP ** 4 S | 40-41 | 600-MKS | (1) -6 SAE hex socket plug | | |
| * D07 HP ** 4 B | 40-41 | 600-MKM | n/a | (8) ISO 6H M12-1.75 x 25mm HHCS | |
| * D07 HP ** 4 M | 40-41 | 600-MKM | n/a | and (8) 0.50 SAE N series washers | |
| * D07 HP ** 4 T | 40-41 | 600-MKM | n/a | | |
| * D07 HP 01 4 F | 42-43 | 700-MKO | n/a | | (2) Steel brackets |
| * D07 HP ** 4 F | 42-43 | 700-MKS | (1) -6 SAE hex socket plug | (8) UNC 0.50-13 x 1.00 long HHCS and (8) 0.50 SAE N series washers | |
| * D07 HP ** 4 F/M | 42-43 | 700-MKM | n/a | (8) ISO 6H M12-1.75 x 25mm HHCS and (8) 0.50 SAE N series washers | (2) Steel brackets |
| * D07 S ** 4 P | 44 | 600-MKP | (1) 0.25-18 NPTF LSPP | (8) UNC 0.50-13 x 1.00 long HHCS and (8) 0.50 SAE N series washers | (2) Steel brackets |
| * D07 S ** 4 S | 44 | 600-MKS | (1) -6 SAE hex socket plug | | |
| * D07 S ** 4 B | 44 | 600-MKM | n/a | | |
| * D07 S ** 4 M | 44 | 600-MKM | n/a | | |
| * D07 S ** 4 T | 44 | 600-MKM | n/a | | |
| * D08 P 01 5 P | 46-47 | 600-MKO | n/a | | (2) Steel brackets |
| * D08 P 01 5 S | 46-47 | 600-MKO | n/a | (8) UNC 0.50-13 x 1.00 long HHCS | |
| * D08 ** * * P | 46-47, 52 | 600-MKP | (1) 0.25-18 NPTF LSPP | and (8) 0.50 SAE N series washers | |
| * D08 ** * * S | 46-47, 52 | 600-MKS | (1) -6 SAE hex socket plug | | |
| * D08 ** * * B | 46-47, 52 | 600-MKM | n/a | (8) ISO 6H M12-1.75 x 25mm HHCS | |
| * D08 ** * * M | 46-47, 52 | 600-MKM | n/a | and (8) 0.50 SAE N series washers | |
| * D08 ** * * T | 46-47, 52 | 600-MKM | n/a | | |
| * D08 HP 01 5 P | 48-49 | 700-MKO | n/a | | (2) Steel brackets |
| * D08 HP 01 5 S | 48-49 | 700-MKO | n/a | (8) UNC 0.50-13 x 1.00 long HHCS | |
| * D08 HP ** * P | 48-49 | 700-MKP | (1) 0.25-18 NPTF LSPP | and (8) 0.50 SAE N series washers | |
| * D08 HP ** * S | 48-49 | 700-MKS | (1) -6 SAE hex socket plug | | |
| * D08 HP ** * B | 48-49 | 700-MKM | n/a | (8) ISO 6H M12-1.75 x 25mm HHCS | |
| * D08 HP ** * M | 48-49 | 700-MKM | n/a | and (8) 0.50 SAE N series washers | |
| * D08 HP ** * T | 48-49 | 700-MKM | n/a | | |
| * D08 HP ** * F | 50-51 | 800-MKS | (1) -6 SAE hex socket plug | (8) UNC 0.50-13 x 1.00 long HHCS and (8) 0.50 SAE N series washers | (2) Steel brackets |
| * D08 HP ** * F/M | 50-51 | 800-MKM | n/a | (8) ISO 6H M12-1.75 x 25mm HHCS and (8) 0.50 SAE N series washers | (2) Steel brackets |
| * D10 P ** 9 F | 54-55 | 900-MKS | (1) -6 SAE hex socket plug | (12) UNC 0.50-13 x 1.00 long HHCS and (12) 0.50 SAE N series washers | (2) Steel brackets |
| * D10 P ** 9 F/M | 54-55 | 900-MKM | n/a | (12) ISO 6H M12-1.75 x 25mm HHCS and (12) 0.50 SAE N series washers | (2) Steel brackets |



Hydraulic Valve Manifolds Better System Design Begins with a Manifold.

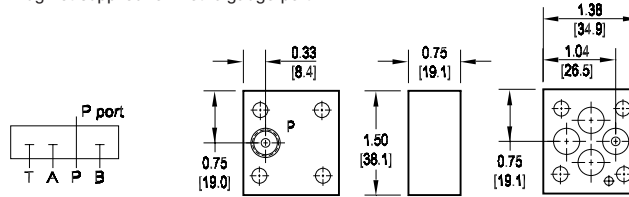
COVER PLATES

| | |
|-----------------------------------|-------------|
| D02 Cover Plates | Page 65 |
| D03 Cover Plates | Page 66 |
| D05 Cover Plates | Page 67 |
| D05 Cover Plates with Pilot Ports | Page 68 |
| D07 Cover Plates | Page 69 |
| D08 Cover Plates | Page 70 |
| D10 Cover Plates | Page 71 |
| 2F06, 2F07 Cover Plates | Page 72 |
| P06, P08, P10 Cover Plates | Page 73 |
| R06, R08, R10 Cover Plates | Page 74 |
| I08, I10 Cover Plates | Page 74 |
| S04, S06 Cover Plates | Page 75 |
| Mounting Hardware | Pages 76-77 |

D02 Cover Plates

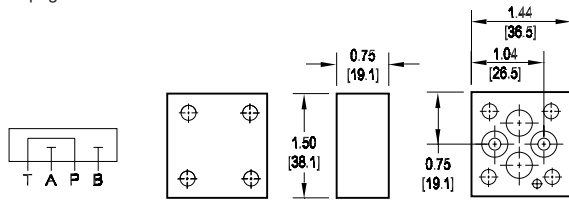
Parallel Circuit Cover Plate with Gauge Port

Cover Plate mounting hardware is supplied. *
See page 76 for itemized list.
* Plug not supplied for metric gauge port.



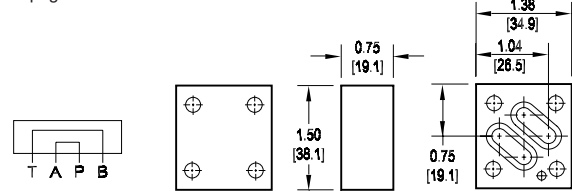
Series Circuit Cover Plate: P to T

Cover Plate mounting hardware is supplied.
See page 76 for itemized list.



Crossover Cover Plate: P to A; B to T

Cover Plate mounting hardware is supplied.
See page 76 for itemized list.



Specifications, descriptions, and dimensional data are subject to correction or change without notice or incurring obligation.
Download latest catalog page revisions at www.damanifolds.com.

Ordering Information

| Material | Valve Pattern | Circuit | Gauge Port | Bolt Threads |
|----------|---------------|---------|------------|--------------|
|----------|---------------|---------|------------|--------------|

| Material | |
|---|--|
| A | Aluminum - 6061-T6 3000† psi • 20.7 MPa |
| D | Ductile Iron - D4512 5000† psi • 34.5 MPa |
| † Working pressure should be considered in accordance with ISO 4413 to determine appropriate material type. | |

| Circuit | |
|------------|---------------------------------------|
| CPP | Parallel Circuit |
| CPS | Series Circuit |
| COP | Crossover Circuit (P to A, B to T) |

| Bolt Threads | |
|-------------------------------|--------------------------|
| Omit for inch (UNC) bolt kit. | |
| M | Metric (ISO 6H) bolt kit |

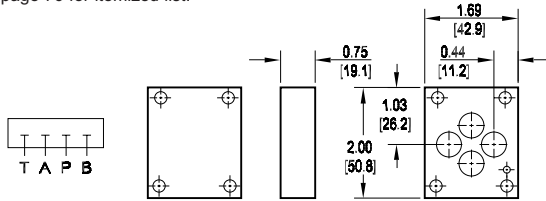
| Valve Pattern | |
|---------------|--|
| D02 | ISO 4401-02-01 NFFPA T3.5.1-D02 See Tech Information |

| Gauge Port | |
|--|--|
| Required with CPP circuit. Omit on CPS and COP circuits. | |
| G | 0.125 NPTF or 0.125 BSPT (M option) |

D03 Cover Plates

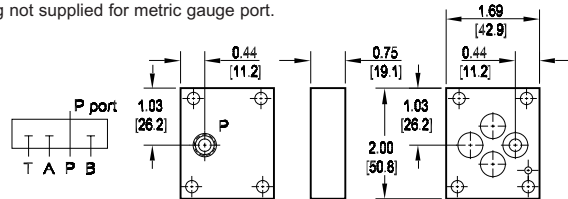
Parallel Circuit Cover Plate

Cover Plate mounting hardware is supplied.
See page 76 for itemized list.



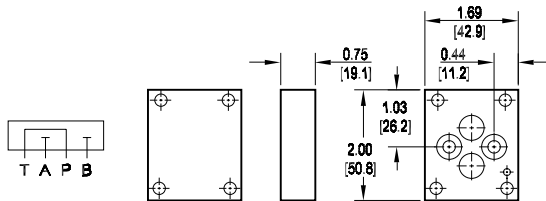
Parallel Circuit Cover Plate with Gauge Port

Cover Plate mounting hardware is supplied.*
See page 76 for itemized list.
* Plug not supplied for metric gauge port.



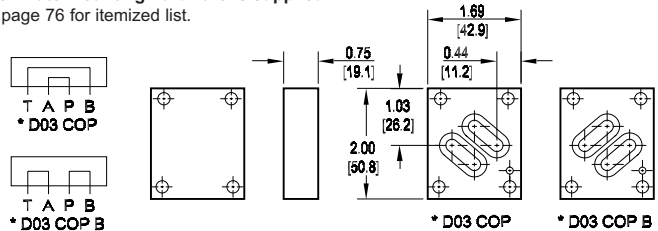
Series Circuit Cover Plate: P to T

Cover Plate mounting hardware is supplied.
See page 76 for itemized list.



Crossover Cover Plate: P to A; B to T or P to B; A to T

Cover Plate mounting hardware is supplied.
See page 76 for itemized list.



Specifications, descriptions, and dimensional data are subject to correction or change without notice or incurring obligation.
Download latest catalog page revisions at www.damanifolds.com.

Ordering Information

| Material | Valve Pattern | Circuit | Gauge Port | Bolt Threads |
|----------|---------------|---------|------------|--------------|
|----------|---------------|---------|------------|--------------|

| Material | |
|---|--|
| A | Aluminum - 6061-T6 3000† psi • 20.7 MPa |
| D | Ductile Iron - D4512 5000† psi • 34.5 MPa |
| † Working pressure should be considered in accordance with ISO 4413 to determine appropriate material type. | |

| Circuit | |
|-------------|---------------------------------------|
| CPP | Parallel Circuit |
| CPS | Series Circuit |
| COP | Crossover Circuit (P to A, B to T) |
| COPB | Crossover Circuit (P to B, A to T) |

| Bolt Threads | |
|-------------------------------|--------------------------|
| Omit for inch (UNC) bolt kit. | |
| M | Metric (ISO 6H) bolt kit |

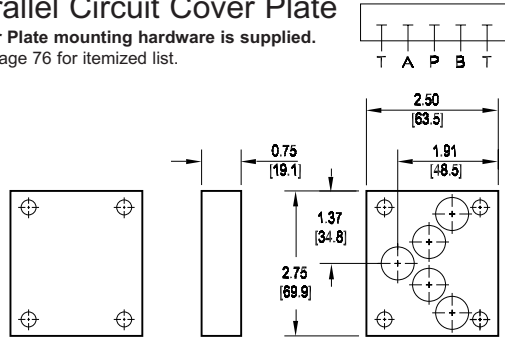
| Valve Pattern | |
|---------------|---|
| D03 | ISO 4401-03-02 NFPA T3.5.1-D03 See Tech Information |

| Gauge Port | |
|---|--|
| Available with parallel circuit only. Omit if not required. | |
| G | 0.125 NPTF or 0.125 BSPT (M option) |

D05 Cover Plates

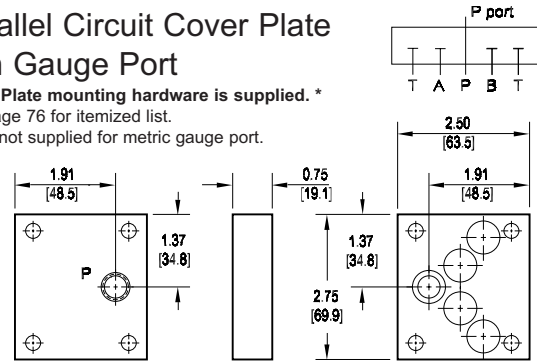
Parallel Circuit Cover Plate

Cover Plate mounting hardware is supplied.
See page 76 for itemized list.



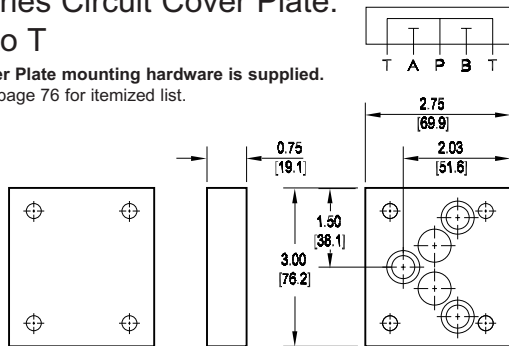
Parallel Circuit Cover Plate with Gauge Port

Cover Plate mounting hardware is supplied.*
See page 76 for itemized list.
* Plug not supplied for metric gauge port.



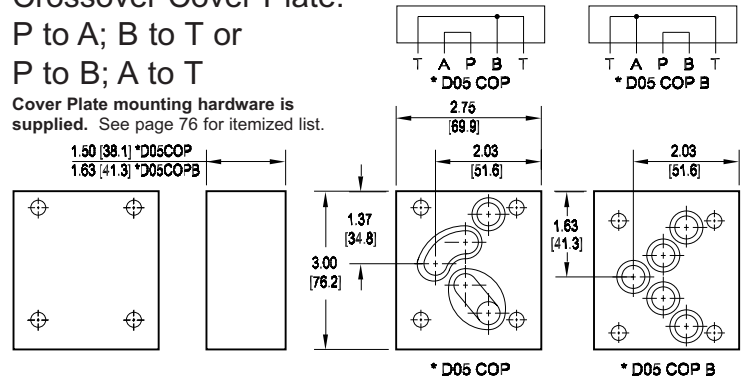
Series Circuit Cover Plate: P to T

Cover Plate mounting hardware is supplied.
See page 76 for itemized list.



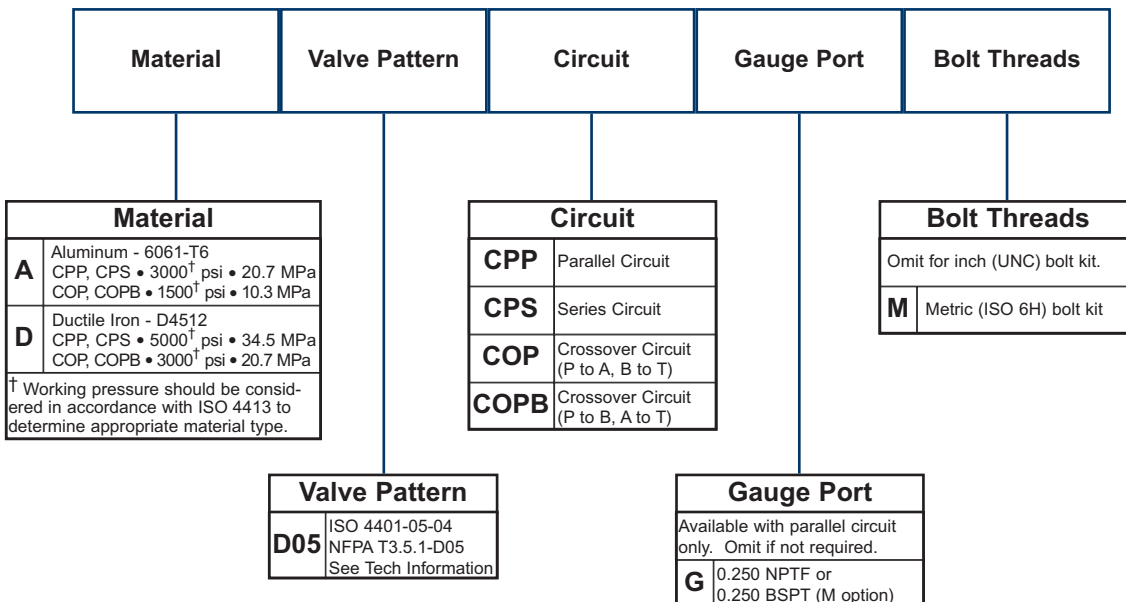
Crossover Cover Plate: P to A; B to T or P to B; A to T

Cover Plate mounting hardware is supplied. See page 76 for itemized list.



Specifications, descriptions, and dimensional data are subject to correction or change without notice or incurring obligation.
Download latest catalog page revisions at www.damanifolds.com.

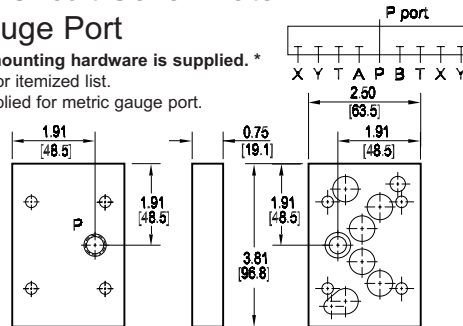
Ordering Information



D05 Cover Plates with Pilot Ports

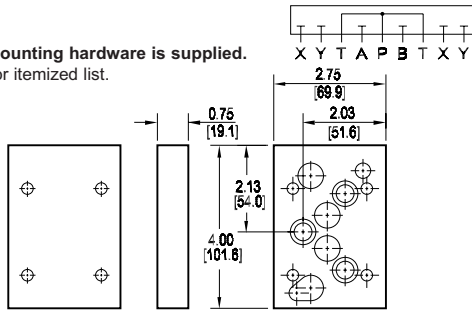
Parallel Circuit Cover Plate with Gauge Port

Cover Plate mounting hardware is supplied. *
See page 76 for itemized list.
* Plug not supplied for metric gauge port.



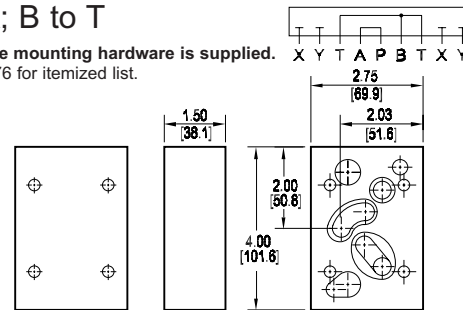
Series Circuit Cover Plate: P to T

Cover Plate mounting hardware is supplied.
See page 76 for itemized list.



Crossover Cover Plate: P to A; B to T

Cover Plate mounting hardware is supplied.
See page 76 for itemized list.



Specifications, descriptions, and dimensional data are subject to correction or change without notice or incurring obligation. Download latest catalog page revisions at www.damanifolds.com.

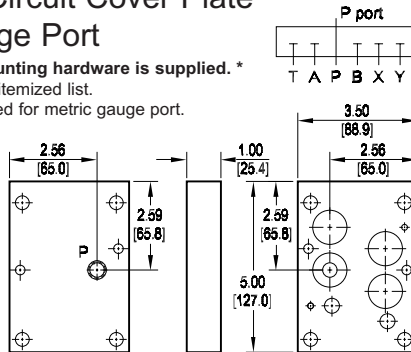
Ordering Information

| Material | Valve Pattern | Circuit | Gauge Port | Bolt Threads | | | | | | | | | | | | | | | | | | | | | | | | | | | | | | | | |
|---|---|---------|------------|---|----------|---|--|--|---|---------------|--|-------------|--|--|---------|--|------------|------------------|------------|----------------|------------|---------------------------------------|--|------------|--|--|--|----------|--|---|--------------|--|-------------------------------|--|----------|--------------------------|
| <table border="1"> <thead> <tr> <th colspan="2">Material</th> </tr> </thead> <tbody> <tr> <td>A</td> <td>Aluminum - 6061-T6 CPP, CPS • 3000[†] psi • 20.7 MPa COP • 1500[†] psi • 10.3 MPa</td> </tr> <tr> <td>D</td> <td>Ductile Iron - D4512 CPP, CPS • 5000[†] psi • 34.5 MPa COP • 3000[†] psi • 20.7 MPa</td> </tr> <tr> <td colspan="2">[†] Working pressure should be considered in accordance with ISO 4413 to determine appropriate material type.</td> </tr> </tbody> </table> | Material | | A | Aluminum - 6061-T6 CPP, CPS • 3000 [†] psi • 20.7 MPa COP • 1500 [†] psi • 10.3 MPa | D | Ductile Iron - D4512 CPP, CPS • 5000 [†] psi • 34.5 MPa COP • 3000 [†] psi • 20.7 MPa | [†] Working pressure should be considered in accordance with ISO 4413 to determine appropriate material type. | | <table border="1"> <thead> <tr> <th colspan="2">Valve Pattern</th> </tr> </thead> <tbody> <tr> <td>D05H</td> <td>ISO 4401-05-05 NFPA T3.5.1-D05 Alt A & B See Technical Information</td> </tr> </tbody> </table> | Valve Pattern | | D05H | ISO 4401-05-05 NFPA T3.5.1-D05 Alt A & B See Technical Information | <table border="1"> <thead> <tr> <th colspan="2">Circuit</th> </tr> </thead> <tbody> <tr> <td>CPP</td> <td>Parallel Circuit</td> </tr> <tr> <td>CPS</td> <td>Series Circuit</td> </tr> <tr> <td>COP</td> <td>Crossover Circuit (P to A, B to T)</td> </tr> </tbody> </table> | Circuit | | CPP | Parallel Circuit | CPS | Series Circuit | COP | Crossover Circuit (P to A, B to T) | <table border="1"> <thead> <tr> <th colspan="2">Gauge Port</th> </tr> </thead> <tbody> <tr> <td colspan="2">Required with parallel circuit. Omit on S and COP circuits.</td> </tr> <tr> <td>G</td> <td>0.250 NPTF or 0.250 BSPT (M option)</td> </tr> </tbody> </table> | Gauge Port | | Required with parallel circuit. Omit on S and COP circuits. | | G | 0.250 NPTF or 0.250 BSPT (M option) | <table border="1"> <thead> <tr> <th colspan="2">Bolt Threads</th> </tr> </thead> <tbody> <tr> <td colspan="2">Omit for inch (UNC) bolt kit.</td> </tr> <tr> <td>M</td> <td>Metric (ISO 6H) bolt kit</td> </tr> </tbody> </table> | Bolt Threads | | Omit for inch (UNC) bolt kit. | | M | Metric (ISO 6H) bolt kit |
| Material | | | | | | | | | | | | | | | | | | | | | | | | | | | | | | | | | | | | |
| A | Aluminum - 6061-T6 CPP, CPS • 3000 [†] psi • 20.7 MPa COP • 1500 [†] psi • 10.3 MPa | | | | | | | | | | | | | | | | | | | | | | | | | | | | | | | | | | | |
| D | Ductile Iron - D4512 CPP, CPS • 5000 [†] psi • 34.5 MPa COP • 3000 [†] psi • 20.7 MPa | | | | | | | | | | | | | | | | | | | | | | | | | | | | | | | | | | | |
| [†] Working pressure should be considered in accordance with ISO 4413 to determine appropriate material type. | | | | | | | | | | | | | | | | | | | | | | | | | | | | | | | | | | | | |
| Valve Pattern | | | | | | | | | | | | | | | | | | | | | | | | | | | | | | | | | | | | |
| D05H | ISO 4401-05-05 NFPA T3.5.1-D05 Alt A & B See Technical Information | | | | | | | | | | | | | | | | | | | | | | | | | | | | | | | | | | | |
| Circuit | | | | | | | | | | | | | | | | | | | | | | | | | | | | | | | | | | | | |
| CPP | Parallel Circuit | | | | | | | | | | | | | | | | | | | | | | | | | | | | | | | | | | | |
| CPS | Series Circuit | | | | | | | | | | | | | | | | | | | | | | | | | | | | | | | | | | | |
| COP | Crossover Circuit (P to A, B to T) | | | | | | | | | | | | | | | | | | | | | | | | | | | | | | | | | | | |
| Gauge Port | | | | | | | | | | | | | | | | | | | | | | | | | | | | | | | | | | | | |
| Required with parallel circuit. Omit on S and COP circuits. | | | | | | | | | | | | | | | | | | | | | | | | | | | | | | | | | | | | |
| G | 0.250 NPTF or 0.250 BSPT (M option) | | | | | | | | | | | | | | | | | | | | | | | | | | | | | | | | | | | |
| Bolt Threads | | | | | | | | | | | | | | | | | | | | | | | | | | | | | | | | | | | | |
| Omit for inch (UNC) bolt kit. | | | | | | | | | | | | | | | | | | | | | | | | | | | | | | | | | | | | |
| M | Metric (ISO 6H) bolt kit | | | | | | | | | | | | | | | | | | | | | | | | | | | | | | | | | | | |

D07 Cover Plates

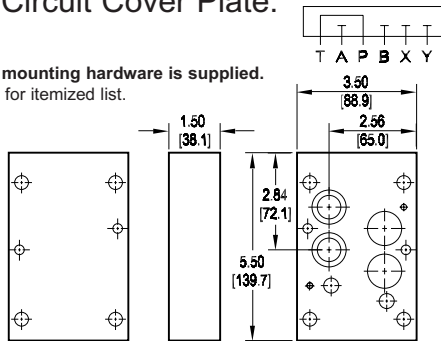
Parallel Circuit Cover Plate with Gauge Port

Cover Plate mounting hardware is supplied. *
See page 76 for itemized list.
* Plug not supplied for metric gauge port.



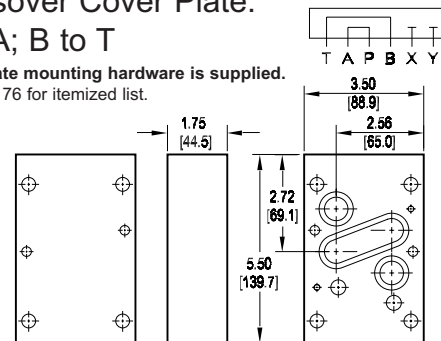
Series Circuit Cover Plate: P to T

Cover Plate mounting hardware is supplied.
See page 76 for itemized list.



Crossover Cover Plate: P to A; B to T

Cover Plate mounting hardware is supplied.
See page 76 for itemized list.



Specifications, descriptions, and dimensional data are subject to correction or change without notice or incurring obligation. Download latest catalog page revisions at www.damanifolds.com.

Ordering Information

| Material | Valve Pattern | Circuit | Gauge Port | Bolt Threads |
|----------|---------------|---------|------------|--------------|
|----------|---------------|---------|------------|--------------|

| Material | |
|--|---|
| A | Aluminum - 6061-T6 CPP, CPS • 3000 [†] psi • 20.7 MPa COP • 2000 [†] psi • 10.3 MPa |
| D | Ductile Iron - D4512 CPP, CPS • 5000 [†] psi • 34.5 MPa COP • 4000 [†] psi • 20.7 MPa |
| [†] Working pressure should be considered in accordance with ISO 4413 to determine appropriate material type. | |

| Circuit | |
|------------|------------------------------------|
| CPP | Parallel Circuit |
| CPS | Series Circuit |
| COP | Crossover Circuit (P to A, B to T) |

| Bolt Threads | |
|-------------------------------|--------------------------|
| Omit for inch (UNC) bolt kit. | |
| M | Metric (ISO 6H) bolt kit |

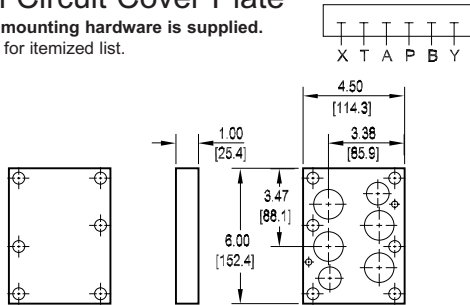
| Valve Pattern | |
|---------------|--|
| D07 | ISO 4401-07-06 NFFPA T3.5.1-D07 See Tech Information |

| Gauge Port | |
|---|--|
| Required with parallel circuit. Omit on S and COP circuits. | |
| G | 0.250 NPTF or 0.250 BSPT (M option) |

D08 Cover Plates

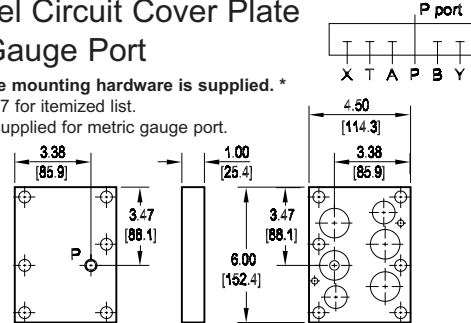
Parallel Circuit Cover Plate

Cover Plate mounting hardware is supplied.
See page 77 for itemized list.



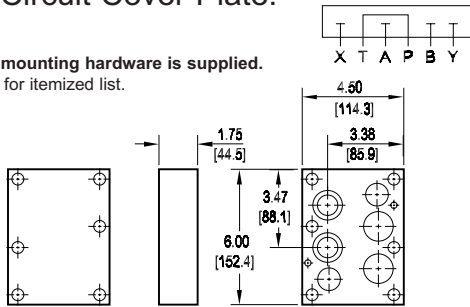
Parallel Circuit Cover Plate with Gauge Port

Cover Plate mounting hardware is supplied.*
See page 77 for itemized list.
* Plug not supplied for metric gauge port.



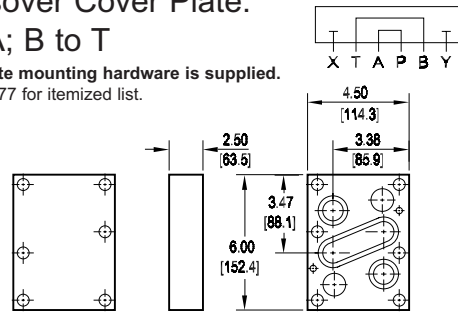
Series Circuit Cover Plate: P to T

Cover Plate mounting hardware is supplied.
See page 77 for itemized list.



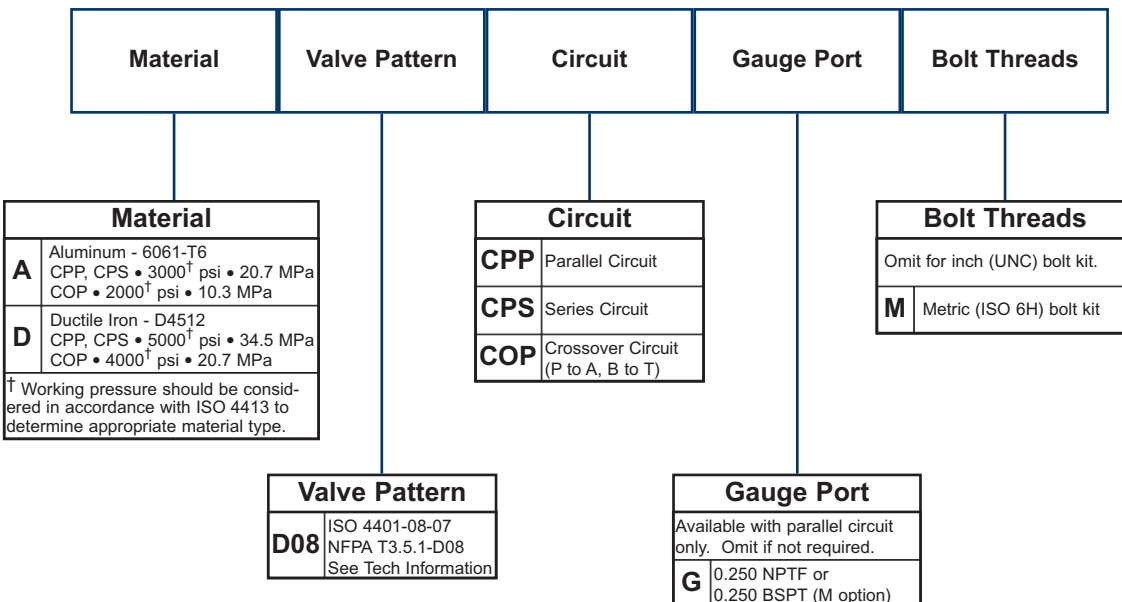
Crossover Cover Plate: P to A; B to T

Cover Plate mounting hardware is supplied.
See page 77 for itemized list.



Specifications, descriptions, and dimensional data are subject to correction or change without notice or incurring obligation.
Download latest catalog page revisions at www.damanifolds.com.

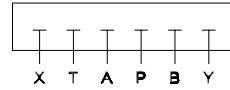
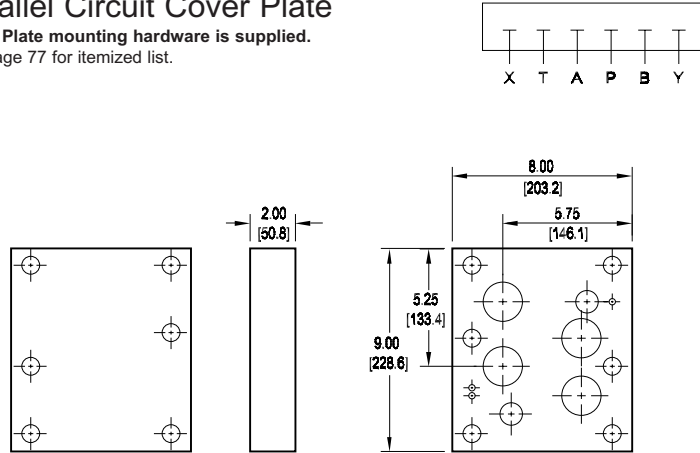
Ordering Information



D10 Cover Plates

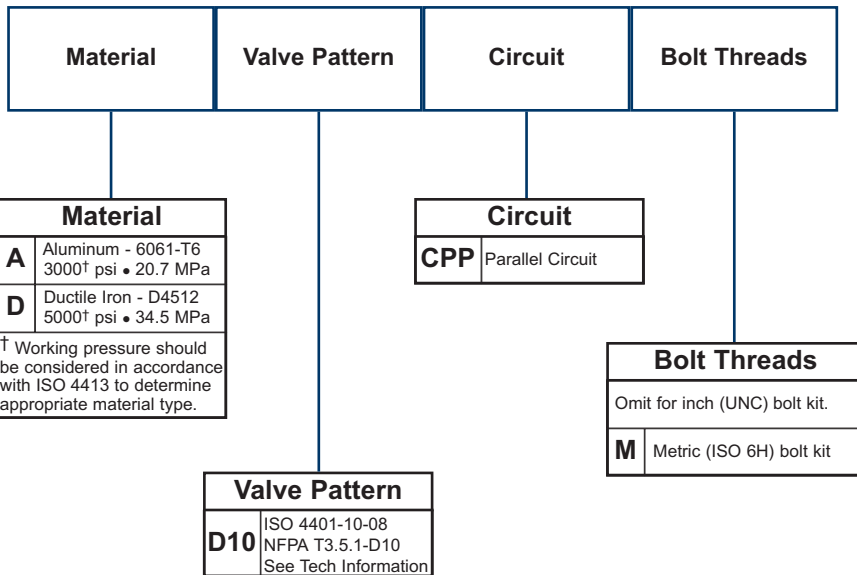
Parallel Circuit Cover Plate

Cover Plate mounting hardware is supplied.
See page 77 for itemized list.



Specifications, descriptions, and dimensional data are subject to correction or change without notice or incurring obligation. Download latest catalog page revisions at www.damanifolds.com.

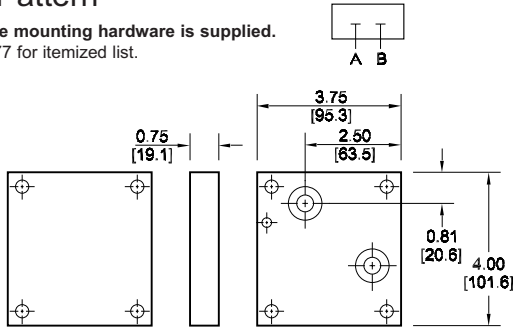
Ordering Information



2F06, 2F07 Flow Control Cover Plates

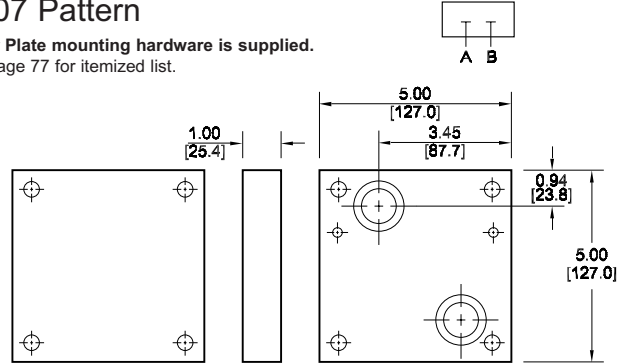
Parallel Circuit Cover Plate 2F06 Pattern

Cover Plate mounting hardware is supplied.
See page 77 for itemized list.



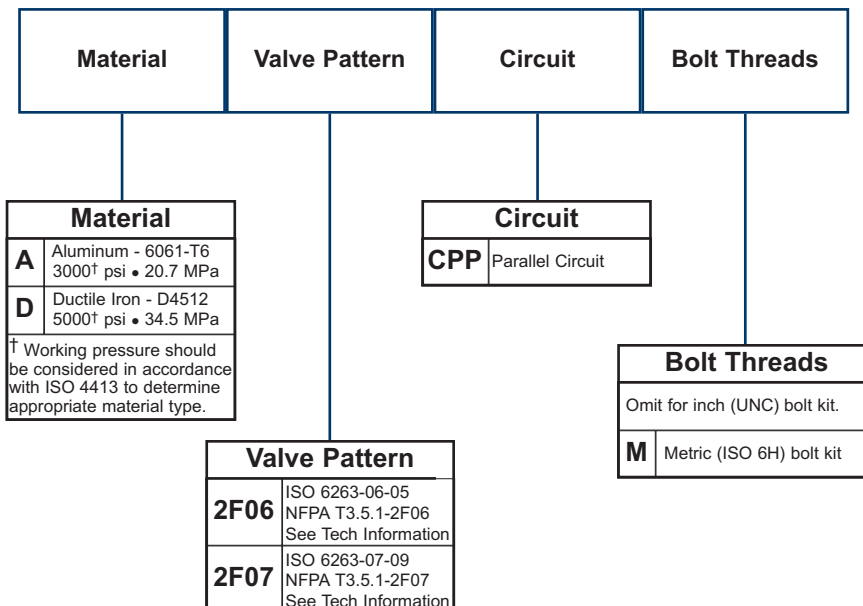
Parallel Circuit Cover Plate 2F07 Pattern

Cover Plate mounting hardware is supplied.
See page 77 for itemized list.



Specifications, descriptions, and dimensional data are subject to correction or change without notice or incurring obligation. Download latest catalog page revisions at www.damanifolds.com.

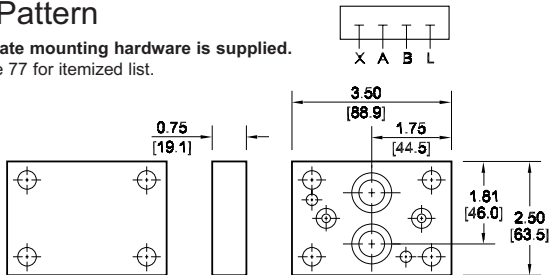
Ordering Information



P06, P08, P10 Pressure Control Cover Plates

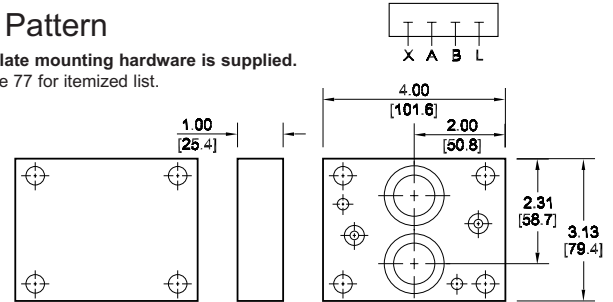
Parallel Circuit Cover Plate P06 Pattern

Cover Plate mounting hardware is supplied.
See page 77 for itemized list.



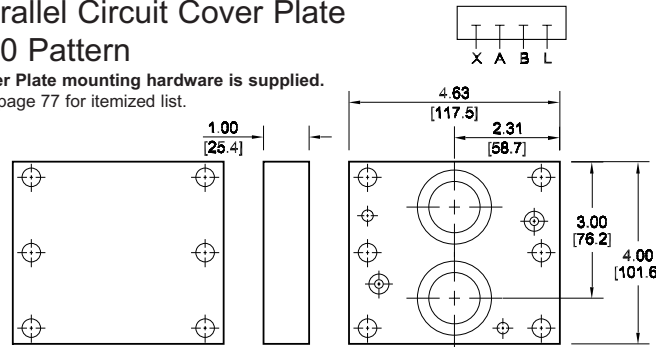
Parallel Circuit Cover Plate P08 Pattern

Cover Plate mounting hardware is supplied.
See page 77 for itemized list.



Parallel Circuit Cover Plate P10 Pattern

Cover Plate mounting hardware is supplied.
See page 77 for itemized list.



Specifications, descriptions, and dimensional data are subject to correction or change without notice or incurring obligation.
Download latest catalog page revisions at www.damanifolds.com.

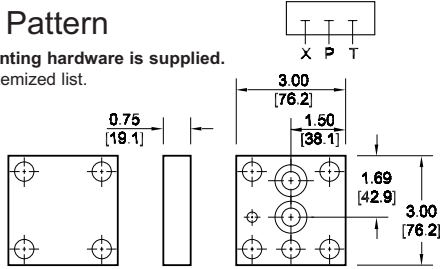
Ordering Information

| Material | Valve Pattern | Circuit | Bolt Threads | | | | | | | | | | | | | | | | | | | | | | | | | | |
|--|--|---------|--------------|--|----------|--|---|--|---|---------------|--|------------|--|------------|--|------------|--|--|---------|--|------------|------------------|---|--------------|--|-------------------------------|--|----------|--------------------------|
| <table border="1"> <thead> <tr> <th colspan="2">Material</th> </tr> </thead> <tbody> <tr> <td>A</td> <td>Aluminum - 6061-T6 3000† psi • 20.7 MPa</td> </tr> <tr> <td>D</td> <td>Ductile Iron - D4512 5000† psi • 34.5 MPa</td> </tr> <tr> <td colspan="2">† Working pressure should be considered in accordance with ISO 4413 to determine appropriate material type.</td> </tr> </tbody> </table> | Material | | A | Aluminum - 6061-T6 3000† psi • 20.7 MPa | D | Ductile Iron - D4512 5000† psi • 34.5 MPa | † Working pressure should be considered in accordance with ISO 4413 to determine appropriate material type. | | <table border="1"> <thead> <tr> <th colspan="2">Valve Pattern</th> </tr> </thead> <tbody> <tr> <td>P06</td> <td>ISO 6264-06-07 ISO 5781-06-07 NFPA T3.5.1-[R]P06 See Tech Information</td> </tr> <tr> <td>P08</td> <td>ISO 6264-08-11 ISO 5781-08-10 NFPA T3.5.1-[R]P08 See Tech Information</td> </tr> <tr> <td>P10</td> <td>ISO 6264-10-15 ISO 5781-10-13 NFPA T3.5.1-[R]P10 See Tech Information</td> </tr> </tbody> </table> | Valve Pattern | | P06 | ISO 6264-06-07 ISO 5781-06-07 NFPA T3.5.1-[R]P06 See Tech Information | P08 | ISO 6264-08-11 ISO 5781-08-10 NFPA T3.5.1-[R]P08 See Tech Information | P10 | ISO 6264-10-15 ISO 5781-10-13 NFPA T3.5.1-[R]P10 See Tech Information | <table border="1"> <thead> <tr> <th colspan="2">Circuit</th> </tr> </thead> <tbody> <tr> <td>CPP</td> <td>Parallel Circuit</td> </tr> </tbody> </table> | Circuit | | CPP | Parallel Circuit | <table border="1"> <thead> <tr> <th colspan="2">Bolt Threads</th> </tr> </thead> <tbody> <tr> <td colspan="2">Omit for inch (UNC) bolt kit.</td> </tr> <tr> <td>M</td> <td>Metric (ISO 6H) bolt kit</td> </tr> </tbody> </table> | Bolt Threads | | Omit for inch (UNC) bolt kit. | | M | Metric (ISO 6H) bolt kit |
| Material | | | | | | | | | | | | | | | | | | | | | | | | | | | | | |
| A | Aluminum - 6061-T6 3000† psi • 20.7 MPa | | | | | | | | | | | | | | | | | | | | | | | | | | | | |
| D | Ductile Iron - D4512 5000† psi • 34.5 MPa | | | | | | | | | | | | | | | | | | | | | | | | | | | | |
| † Working pressure should be considered in accordance with ISO 4413 to determine appropriate material type. | | | | | | | | | | | | | | | | | | | | | | | | | | | | | |
| Valve Pattern | | | | | | | | | | | | | | | | | | | | | | | | | | | | | |
| P06 | ISO 6264-06-07 ISO 5781-06-07 NFPA T3.5.1-[R]P06 See Tech Information | | | | | | | | | | | | | | | | | | | | | | | | | | | | |
| P08 | ISO 6264-08-11 ISO 5781-08-10 NFPA T3.5.1-[R]P08 See Tech Information | | | | | | | | | | | | | | | | | | | | | | | | | | | | |
| P10 | ISO 6264-10-15 ISO 5781-10-13 NFPA T3.5.1-[R]P10 See Tech Information | | | | | | | | | | | | | | | | | | | | | | | | | | | | |
| Circuit | | | | | | | | | | | | | | | | | | | | | | | | | | | | | |
| CPP | Parallel Circuit | | | | | | | | | | | | | | | | | | | | | | | | | | | | |
| Bolt Threads | | | | | | | | | | | | | | | | | | | | | | | | | | | | | |
| Omit for inch (UNC) bolt kit. | | | | | | | | | | | | | | | | | | | | | | | | | | | | | |
| M | Metric (ISO 6H) bolt kit | | | | | | | | | | | | | | | | | | | | | | | | | | | | |

R06, R08, I08, R10, I10 Relief Valve Cover Plates

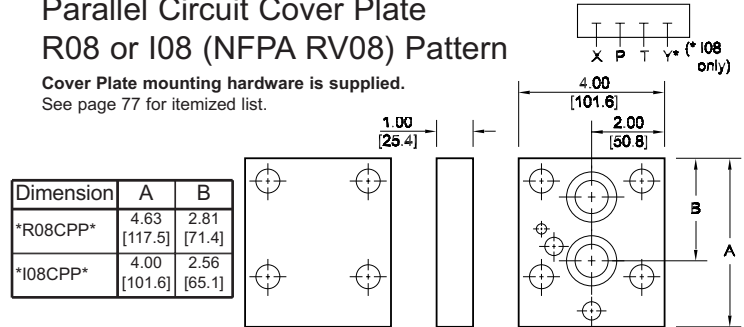
Parallel Circuit Cover Plate R06 (I06) Pattern

Cover Plate mounting hardware is supplied.
See page 77 for itemized list.



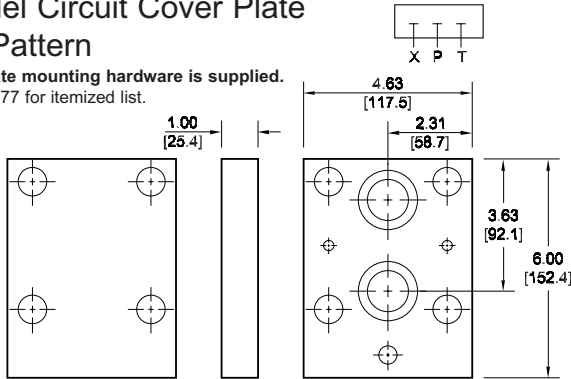
Parallel Circuit Cover Plate R08 or I08 (NFPA RV08) Pattern

Cover Plate mounting hardware is supplied.
See page 77 for itemized list.



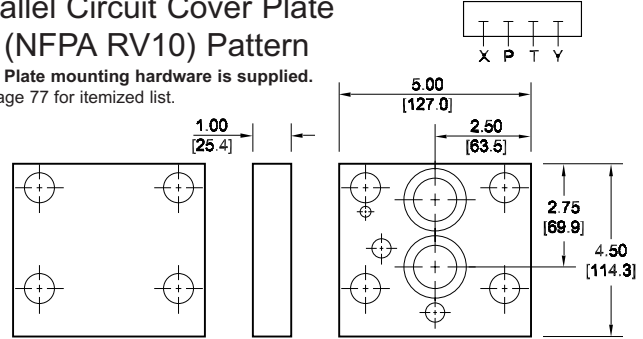
Parallel Circuit Cover Plate R10 Pattern

Cover Plate mounting hardware is supplied.
See page 77 for itemized list.



Parallel Circuit Cover Plate I10 (NFPA RV10) Pattern

Cover Plate mounting hardware is supplied.
See page 77 for itemized list.



Specifications, descriptions, and dimensional data are subject to correction or change without notice or incurring obligation.
Download latest catalog page revisions at www.damanifolds.com.

Ordering Information

| Material | Valve Pattern | Circuit | Bolt Threads |
|----------|---------------|---------|--------------|
|----------|---------------|---------|--------------|

| Material | |
|----------|--|
| A | Aluminum - 6061-T6 3000† psi • 20.7 MPa |
| D | Ductile Iron - D4512 5000† psi • 34.5 MPa |

† Working pressure should be considered in accordance with ISO 4413 to determine appropriate material type.

| Valve Pattern | |
|---------------|---|
| R06 | ISO 6264-06-09 NFPA T3.5.1-R06 See Tech Information |
| R08 | ISO 6264-08-13 NFPA T3.5.1-R08 See Tech Information |
| I08 | NFPA T3.5.1-RV08 See Tech Information |
| R10 | ISO 6264-10-17 NFPA T3.5.1-R10 See Tech Information |
| I10 | NFPA T3.5.1-RV10 See Tech Information |

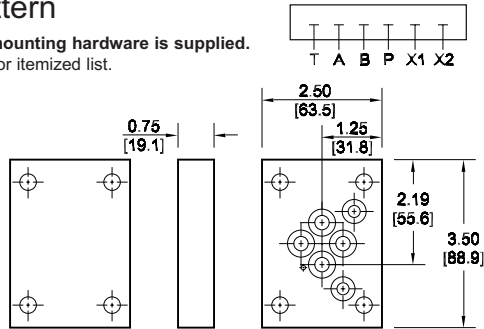
| Circuit | |
|------------|------------------|
| CPP | Parallel Circuit |

| Bolt Threads | |
|-------------------------------|--------------------------|
| Omit for inch (UNC) bolt kit. | |
| M | Metric (ISO 6H) bolt kit |

S04, S06 Servo Valve Cover Plates

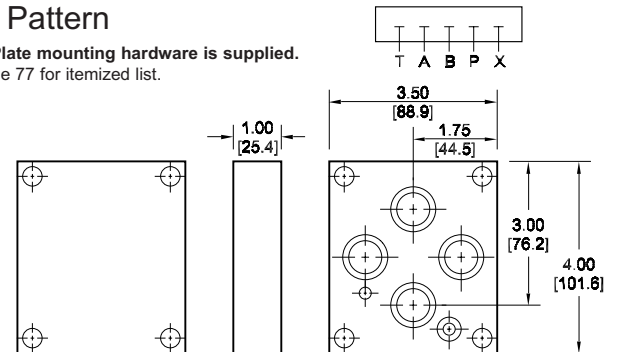
Parallel Circuit Cover Plate S04 Pattern

Cover Plate mounting hardware is supplied.
See page 77 for itemized list.



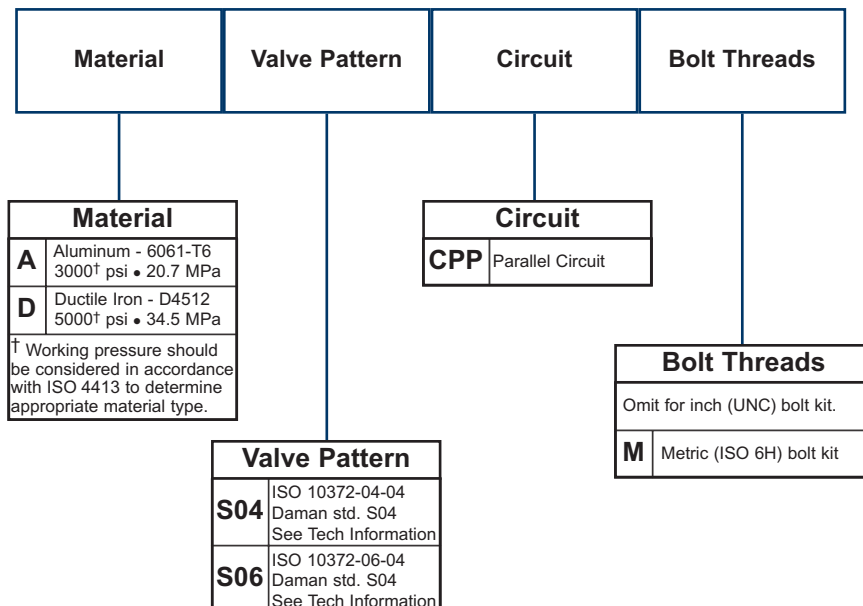
Parallel Circuit Cover Plate S06 Pattern

Cover Plate mounting hardware is supplied.
See page 77 for itemized list.



Specifications, descriptions, and dimensional data are subject to correction or change without notice or incurring obligation. Download latest catalog page revisions at www.damanifolds.com.

Ordering Information



Cover Plate Mounting Hardware

| Part no. | Pg. | GA port Plug | Viton O-rings, 75 duro. | Mounting Screws | Locating Pins |
|---|-----|--|--|---|-----------------------------|
| * D02 CP P G * D02 CP S * D02 COP | 65 | (1) 0.12-27 NPTF n/a n/a | (4) -010 (4) -010 (2) -015 | (4) UNC #10-24 x 1.00 long SHCS | (1) 0.12 dia x 0.25 long |
| * D02 CP P G M * D02 CP S M * D02 COP M | 65 | n/a n/a n/a | (4) -010 (4) -010 (2) -015 | (4) ISO 6H M5-0.8 x 25mm SHCS | |
| * D03 CP P * D03 CP P G * D03 CP S * D03 COP * D03 COPB | 66 | n/a (1) 0.12-27 NPTF n/a n/a n/a | (4) -012 (4) -012 (4) -012 (2) -016 (2) -016 | (4) UNC #10-24 x 1.00 long SHCS | (1) 0.12 dia x 0.25 long |
| * D03 CP P M * D03 CP P G M * D03 CP S M * D03 COP M * D03 COPB M | 66 | n/a n/a n/a n/a n/a | (4) -012 (4) -012 (4) -012 (2) -016 (2) -016 | (4) ISO 6H M5-0.8 x 25mm SHCS | |
| * D05 CP P * D05 CP P G * D05 CP S * D05 COP * D05 COPB | 67 | n/a (1) 0.25-18 NPTF n/a n/a n/a | (5) -014 (5) -014 (5) -014 (1) -014; (2) -022 (5) -014 | (4) UNC 0.25-20 x 1.25 long SHCS (4) UNC 0.25-20 x 1.25 long SHCS (4) UNC 0.25-20 x 1.25 long SHCS (4) UNC 0.25-20 x 2.00 long SHCS (4) UNC 0.25-20 x 2.00 long SHCS | n/a |
| * D05 CP P M * D05 CP P G M * D05 CP S M * D05 COP M * D05 COPB M | 67 | n/a n/a n/a n/a n/a | (5) -014 (5) -014 (5) -014 (1) -014; (2) -022 (5) -014 | (4) ISO 6H M6-1.0 x 30mm SHCS (4) ISO 6H M6-1.0 x 30mm SHCS (4) ISO 6H M6-1.0 x 30mm SHCS (4) ISO 6H M6-1.0 x 50mm SHCS (4) ISO 6H M6-1.0 x 50mm SHCS | |
| * D05H CP P G * D05H CP S * D05H COP | 68 | (1) 0.25-18 NPTF n/a n/a | (1) -011; (6) -014; (1) -016 (1) -011; (6) -014; (1) -016 (1) -011; (2) -014; (1) -016; (2) -022 | (4) UNC 0.25-20 x 1.25 long SHCS (4) UNC 0.25-20 x 1.25 long SHCS (4) UNC 0.25-20 x 2.00 long SHCS | n/a |
| * D05H CP P G M * D05H CP S M * D05H COP M | 68 | n/a n/a n/a | (1) -011; (6) -014; (1) -016 (1) -011; (6) -014; (1) -016 (1) -011; (2) -014; (1) -016; (2) -022 | (4) ISO 6H M6-1.0 x 30mm SHCS (4) ISO 6H M6-1.0 x 30mm SHCS (4) ISO 6H M6-1.0 x 50mm SHCS | |
| * D07 CP P G * D07 CP S * D07 COP | 69 | (1) 0.25-18 NPTF n/a n/a | (2) -011; (4) -210 (2) -011; (4) -210 (2) -011; (2) -210; (1) -225 | (4) UNC 0.38-16 x 1.75 long and (2) UNC 0.25-20 x 1.50 long SHCS (4) UNC 0.38-16 x 2.00 long and (2) UNC 0.25-20 x 2.00 long SHCS (4) UNC 0.38-16 x 2.50 long and (2) UNC 0.25-20 x 2.25 long SHCS | (2) 0.12 dia x 0.25 long |
| * D07 CP P G M * D07 CP S M * D07 COP M | 69 | n/a n/a n/a | (2) -011; (4) -210 (2) -011; (4) -210 (2) -011; (2) -210; (1) -225 | (4) ISO 6H M10-1.5 x 40mm and (2) ISO 6H M6-1.0 x 35mm SHCS (4) ISO 6H M10-1.5 x 50mm and (2) ISO 6H M6-1.0 x 50mm SHCS (4) ISO 6H M10-1.5 x 60mm and (2) ISO 6H M6-1.0 x 55mm SHCS | |

Cover Plate Mounting Hardware

| Part no. | Pg. | GA port Plug | Viton O-rings, 75 duro. | Mounting Screws | Locating Pins |
|---|-----|---------------------------------------|--|--|---|
| * D08 CP P * D08 CP P G * D08 CP S * D08 COP | 70 | n/a (1) 0.25-18 NPTF n/a n/a | (2) -210; (4) -215 (2) -210; (4) -215 (2) -210; (4) -215 (2) -210; (2) -215; (1) -231 | (6) UNC 0.50-13 x 1.75 long SHCS (6) UNC 0.50-13 x 1.75 long SHCS (6) UNC 0.50-13 x 2.50 long SHCS (6) UNC 0.50-13 x 3.50 long SHCS | (2) 0.25 dia x 0.50 long |
| * D08 CP P M * D08 CP P G M * D08 CP S M * D08 COP M | 70 | n/a n/a n/a n/a | (2) -210; (4) -215 (2) -210; (4) -215 (2) -210; (4) -215 (2) -210; (2) -215; (1) -231 | (6) ISO 6H M12-1.75 x 45mm SHCS (6) ISO 6H M12-1.75 x 45mm SHCS (6) ISO 6H M12-1.75 x 65mm SHCS (6) ISO 6H M12-1.75 x 90mm SHCS | (2) 0.25 dia x 0.50 long |
| * D10 CP P * D10 CP P M | 71 | n/a n/a | (2) -210; (4) -222 (2) -210; (4) -222 | (6) UNC 0.75-10 x 3.25 long SHCS (6) ISO 6H M20-2.5 x 80mm SHCS | (2) 0.25 dia x 0.50 long |
| * 2F06 CP P * 2F07 CP P | 72 | n/a n/a | (2) -018 (2) -215 | (4) UNC 0.31-18 x 1.25 long SHCS (4) UNC 0.38-16 x 1.75 long SHCS | (1) 0.25 d. x 0.50 long (2) 0.25 d. x 0.50 long |
| * 2F06 CP P M * 2F07 CP P M | 72 | n/a n/a | (2) -018 (2) -215 | (4) ISO 6H M8-1.25 x 35mm SHCS (4) ISO 6H M10-1.5 x 45mm SHCS | (1) 0.25 d. x 0.50 long (2) 0.25 d. x 0.50 long |
| * P06 CP P * P08 CP P * P10 CP P | 73 | n/a n/a n/a | (2) -011; (2) -018 (2) -011; (2) -215 (2) -011; (2) -220 | (4) UNC 0.38-16 x 1.50 long SHCS (4) UNC 0.38-16 x 1.50 long SHCS (6) UNC 0.38-16 x 1.75 long SHCS | (2) 0.25 dia x 0.50 long |
| * P06 CP P M * P08 CP P M * P10 CP P M | 73 | n/a n/a n/a | (2) -011; (2) -018 (2) -011; (2) -215 (2) -011; (2) -220 | (4) ISO 6H M10-1.5 x 35mm SHCS (4) ISO 6H M10-1.5 x 40mm SHCS (6) ISO 6H M10-1.5 x 45mm SHCS | (2) 0.25 dia x 0.50 long |
| * R06 CP P * R08 CP P * R10 CP P | 74 | n/a n/a n/a | (1) -012; (2) -018 (1) -012; (2) -216 (1) -012; (2) -220 | (4) UNC 0.50-13 x 1.50 long SHCS (4) UNC 0.63-11 x 2.00 long SHCS (4) UNC 0.75-10 x 2.25 long SHCS | (1) 0.25 d. x 0.50 long (1) 0.25 d. x 0.50 long (2) 0.25 d. x 0.50 long |
| * R06 CP P M * R08 CP P M * R10 CP P M | 74 | n/a n/a n/a | (1) -012; (2) -018 (1) -012; (2) -216 (1) -012; (2) -220 | (4) ISO 6H M12-1.75 x 35mm SHCS (4) ISO 6H M16-2 x 50mm SHCS (4) ISO 6H M20-2.5 x 55mm SHCS | (1) 0.25 d. x 0.50 long (1) 0.25 d. x 0.50 long (2) 0.25 d. x 0.50 long |
| * I08 CP P * I10 CP P | 74 | n/a n/a | (2) -012; (2) -216 (2) -012; (2) -220 | (4) UNC 0.63-11 x 2.00 long SHCS (4) UNC 0.75-10 x 2.25 long SHCS | (1) 0.25 dia x 0.50 long |
| * I08 CP P M * I10 CP P M | 74 | n/a n/a | (2) -012; (2) -216 (2) -012; (2) -220 | (4) ISO 6H M16-2 x 50mm SHCS (4) ISO 6H M20-2.5 x 55mm SHCS | (1) 0.25 dia x 0.50 long |
| * S04 CP P * S06 CP P | 75 | n/a n/a | (2) -012; (4) -013 (1) -012; (4) -019 | (4) UNC 0.31-18 x 1.50 long SHCS (4) UNC 0.38-16 x 1.75 long SHCS | (1) 0.09 d. x 0.25 long (1) 0.25 d. x 0.50 long |
| * S04 CP P M * S06 CP P M | 75 | n/a n/a | (2) -012; (4) -013 (1) -012; (4) -019 | (4) ISO 6H M8-1.25 x 30mm SHCS (4) ISO 6H M10-1.5 x 45mm SHCS | (1) 0.09 d. x 0.25 long (1) 0.25 d. x 0.50 long |

Hydraulic Valve Manifolds Better System Design Begins with a Manifold.

VALVE ADAPTORS

Directional Valve Adaptors

Valve Adaptors for D03 Manifolds Pages 79-80

Valve Adaptors for D05 Manifolds Page 81

Valve Adaptors for D05 Manifolds
with Pilot Ports Page 82

Valve Adaptors for D06 Manifolds Page 84

Valve Adaptors for D07 Manifolds Pages 85-86

Valve Adaptors for D08 Manifolds Pages 87-88

Valve Adaptors for D10 Manifolds Page 90

Valve Adaptors for S04 Manifolds Page 91

Relief Valve Adaptors

Valve Adaptors for D05H Manifolds Page 83

Valve Adaptors for D08 Manifolds Page 89

“Obsolete Valve” Adaptors

D03 Adaptors for Obsolete Manifolds Pages 92-94

D05 Adaptors for Obsolete Manifolds Page 95

D08 Adaptors for Obsolete Manifolds Page 96

D10 Adaptors for Obsolete Manifolds Page 97

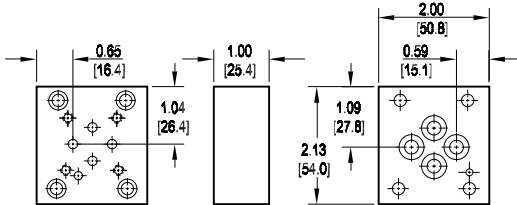
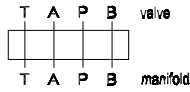
Mounting Hardware Pages 98-99

Valve Adaptors for D03 Manifolds

Adapt D02 valve to D03 manifold

Valve mtg: UNC #10-24 x 0.50 DP or
Metric M5-0.8mm ISO 6H x [12.7] DP

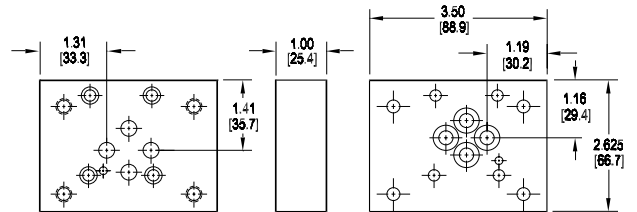
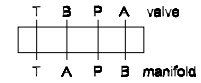
Adaptor mounting hardware is supplied.
See page 98 for itemized list.



Adapt S04 valve to D03 manifold • BA oriented

Valve mtg: UNC 0.31-18 x 0.88 DP or
Metric M8 x 1.25mm ISO 6H x [22.2] DP

Adaptor mounting hardware is supplied.
See page 98 for itemized list.

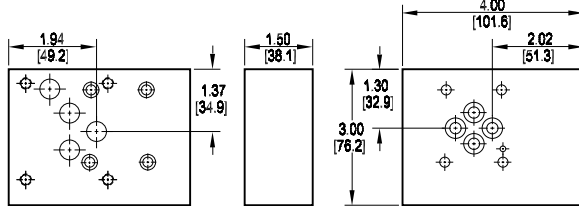
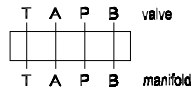


This adaptor does not orient the A & B ports on the manifold to the respective valve solenoids.

Adapt D05 valve to D03 manifold • style A

Valve mtg: UNC 0.25-20 x 0.50 DP or
Metric M6-1.0mm ISO 6H x [12.7] DP

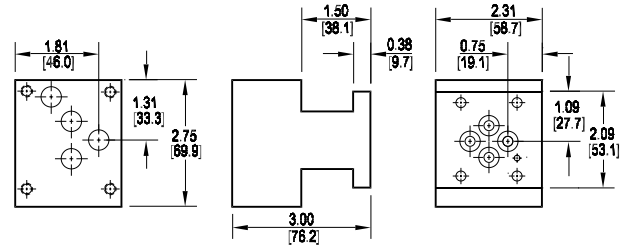
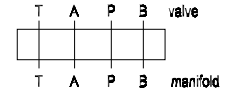
Adaptor mounting hardware is supplied.
See page 98 for itemized list.



Adapt D05 valve to D03 manifold • style B

Valve mtg: UNC 0.25-20 x 0.75 DP or
Metric M6-1.0mm ISO 6H x [19.1] DP

Adaptor mounting hardware is supplied.
See page 98 for itemized list.



Specifications, descriptions, and dimensional data are subject to correction or change without notice or incurring obligation.
Download latest catalog page revisions at www.damanifolds.com.

Ordering Information

| Material | Valve Pattern | Manifold Pattern | Product Type | Port Orientation | Style | Bolt Threads |
|----------|---------------|------------------|--------------|------------------|-------|--------------|
|----------|---------------|------------------|--------------|------------------|-------|--------------|

| Material | |
|----------|--|
| A | Aluminum - 6061-T6 3000† psi • 20.7 MPa |
| D | Ductile Iron - D4512 5000† psi • 34.5 MPa |

† Working pressure should be considered in accordance with ISO 4413 to determine appropriate material type.

| Manifold Pattern | |
|------------------|---|
| D03 | ISO 4401-03-02 NFPA T3.5.1-D03 See Tech Information |

| Valve Pattern | |
|---------------|---|
| D02 | ISO 4401-02-01 NFPA T3.5.1-D02 See Tech Information |
| D05 | ISO 4401-05-04 NFPA T3.5.1-D05 See Tech Information |
| S04 | ISO 10372-04-04 Daman standard S04 See Tech Information |

| Product Type | |
|--------------|---------------|
| VA | Valve Adaptor |

| Port Orientation | |
|------------------|---|
| AB | A _v common to A _m B _v common to B _m |
| BA | A _v common to B _m B _v common to A _m S04 valve pattern only. |

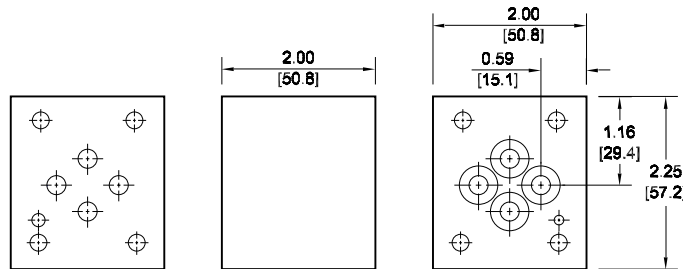
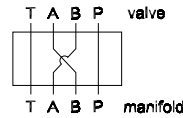
| Bolt Threads | |
|--------------|-------------------------------|
| | Omit for inch (UNC) bolt kit. |
| M | Metric (ISO 6H) bolt kit |

| D05-D03 Style | |
|---------------|--|
| | Required with D05 valve pattern. Omit with D02 or S04 patterns. |
| A | Style A Low height, wide design |
| B | Style B Tall height, narrow design |

Valve Adaptors for D03 Manifolds

D03 A & B Port Swap Block • (BA oriented)

Adaptor hardware / interface seal kit is supplied. See page 98 for itemized list.



Specifications, descriptions, and dimensional data are subject to correction or change without notice or incurring obligation. Download latest catalog page revisions at www.damanifolds.com.

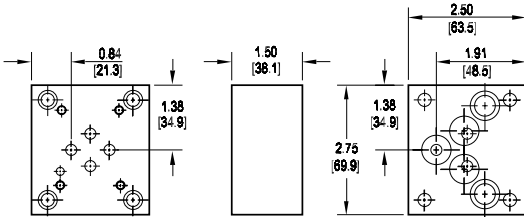
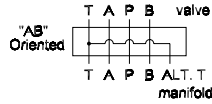
Ordering Information

| Material | Valve Pattern | Manifold Pattern | Product Type | Port Orientation | Bolt Threads | | | | | | | | | | | | | | | | | | | | | | | | | | | | | | |
|--|---|------------------|--------------|--|--------------|--|---|--|---|---------------|--|------------|---|--|------------------|--|------------|---|---|--------------|--|-----------|---------------|---|------------------|--|-----------|---|--|--------------|--|-------------|--|----------|---|
| <table border="1"> <thead> <tr> <th colspan="2">Material</th> </tr> </thead> <tbody> <tr> <td>A</td> <td>Aluminum - 6061-T6 3000† psi • 20.7 MPa</td> </tr> <tr> <td>D</td> <td>Ductile Iron - D4512 5000† psi • 34.5 MPa</td> </tr> <tr> <td colspan="2">† Working pressure should be considered in accordance with ISO 4413 to determine appropriate material type.</td> </tr> </tbody> </table> | Material | | A | Aluminum - 6061-T6 3000† psi • 20.7 MPa | D | Ductile Iron - D4512 5000† psi • 34.5 MPa | † Working pressure should be considered in accordance with ISO 4413 to determine appropriate material type. | | <table border="1"> <thead> <tr> <th colspan="2">Valve Pattern</th> </tr> </thead> <tbody> <tr> <td>D03</td> <td>ISO 4401-03-02 NFPA T3.5.1-D03 See Tech Information</td> </tr> </tbody> </table> | Valve Pattern | | D03 | ISO 4401-03-02 NFPA T3.5.1-D03 See Tech Information | <table border="1"> <thead> <tr> <th colspan="2">Manifold Pattern</th> </tr> </thead> <tbody> <tr> <td>D03</td> <td>ISO 4401-03-02 NFPA T3.5.1-D03 See Tech Information</td> </tr> </tbody> </table> | Manifold Pattern | | D03 | ISO 4401-03-02 NFPA T3.5.1-D03 See Tech Information | <table border="1"> <thead> <tr> <th colspan="2">Product Type</th> </tr> </thead> <tbody> <tr> <td>VA</td> <td>Valve Adaptor</td> </tr> </tbody> </table> | Product Type | | VA | Valve Adaptor | <table border="1"> <thead> <tr> <th colspan="2">Port Orientation</th> </tr> </thead> <tbody> <tr> <td>BA</td> <td>B_V common to A_m A_V common to B_m D03 valve pattern only.</td> </tr> </tbody> </table> | Port Orientation | | BA | B _V common to A _m A _V common to B _m D03 valve pattern only. | <table border="1"> <thead> <tr> <th colspan="2">Bolt Threads</th> </tr> </thead> <tbody> <tr> <td>Omit</td> <td>Mounting holes sized for inch (UNC) bolts.</td> </tr> <tr> <td>M</td> <td>Mounting holes sized for Metric (ISO 6H) bolts.</td> </tr> </tbody> </table> | Bolt Threads | | Omit | Mounting holes sized for inch (UNC) bolts. | M | Mounting holes sized for Metric (ISO 6H) bolts. |
| Material | | | | | | | | | | | | | | | | | | | | | | | | | | | | | | | | | | | |
| A | Aluminum - 6061-T6 3000† psi • 20.7 MPa | | | | | | | | | | | | | | | | | | | | | | | | | | | | | | | | | | |
| D | Ductile Iron - D4512 5000† psi • 34.5 MPa | | | | | | | | | | | | | | | | | | | | | | | | | | | | | | | | | | |
| † Working pressure should be considered in accordance with ISO 4413 to determine appropriate material type. | | | | | | | | | | | | | | | | | | | | | | | | | | | | | | | | | | | |
| Valve Pattern | | | | | | | | | | | | | | | | | | | | | | | | | | | | | | | | | | | |
| D03 | ISO 4401-03-02 NFPA T3.5.1-D03 See Tech Information | | | | | | | | | | | | | | | | | | | | | | | | | | | | | | | | | | |
| Manifold Pattern | | | | | | | | | | | | | | | | | | | | | | | | | | | | | | | | | | | |
| D03 | ISO 4401-03-02 NFPA T3.5.1-D03 See Tech Information | | | | | | | | | | | | | | | | | | | | | | | | | | | | | | | | | | |
| Product Type | | | | | | | | | | | | | | | | | | | | | | | | | | | | | | | | | | | |
| VA | Valve Adaptor | | | | | | | | | | | | | | | | | | | | | | | | | | | | | | | | | | |
| Port Orientation | | | | | | | | | | | | | | | | | | | | | | | | | | | | | | | | | | | |
| BA | B _V common to A _m A _V common to B _m D03 valve pattern only. | | | | | | | | | | | | | | | | | | | | | | | | | | | | | | | | | | |
| Bolt Threads | | | | | | | | | | | | | | | | | | | | | | | | | | | | | | | | | | | |
| Omit | Mounting holes sized for inch (UNC) bolts. | | | | | | | | | | | | | | | | | | | | | | | | | | | | | | | | | | |
| M | Mounting holes sized for Metric (ISO 6H) bolts. | | | | | | | | | | | | | | | | | | | | | | | | | | | | | | | | | | |

Valve Adaptors for D05 Manifolds

Adapt D03 valve to D05 manifold • AB oriented

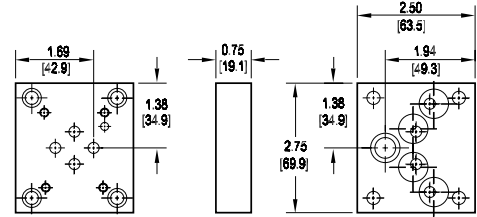
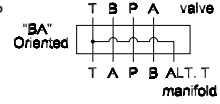
Valve mtg: UNC #10-24 x 0.50 DP or
Metric M5-0.8mm ISO 6H x [12.7] DP
Adaptor mounting hardware is supplied.
See page 98 for itemized list.



This adaptor permits the installation of a D03 valve on a D05 manifold. This adaptor, unlike *D03D05VABA*, properly orients the A & B ports on the manifold to the respective valve solenoids.

Adapt D03 valve to D05 manifold • BA oriented

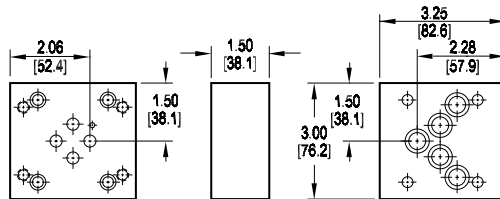
Valve mtg: UNC #10-24 x 0.44 DP or
Metric M5 x 0.8mm ISO 6H x [11] DP
Adaptor mounting hardware is supplied.
See page 98 for itemized list.



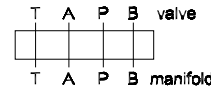
This adaptor permits the installation of a D03 valve on a D05 manifold. This adaptor, while low in cost, does not orient the A & B ports on the manifold to the respective valve solenoids.

Adapt S04 valve to D05 manifold • AB oriented

Valve mtg: UNC 0.31-18 x 0.63 DP or
Metric M8 x 1.25mm ISO 6H x [15.9] DP
Adaptor mounting hardware is supplied.
See page 98 for itemized list.



This adaptor properly orients the A & B ports on the manifold to the respective valve solenoids.



Specifications, descriptions, and dimensional data are subject to correction or change without notice or incurring obligation. Download latest catalog page revisions at www.damanifolds.com.

Ordering Information

| Material | Valve Pattern | Manifold Pattern | Product Type | Port Orientation | Bolt Threads |
|----------|---------------|------------------|--------------|------------------|--------------|
|----------|---------------|------------------|--------------|------------------|--------------|

| Material | |
|---|--|
| A | Aluminum - 6061-T6 3000† psi • 20.7 MPa |
| D | Ductile Iron - D4512 5000† psi • 34.5 MPa |
| † Working pressure should be considered in accordance with ISO 4413 to determine appropriate material type. | |

| Manifold Pattern | |
|------------------|--|
| D05 | ISO 4401-05-04 NFFPA T3.5.1-D05 See Tech Information |

| Port Orientation | |
|------------------|---|
| AB | A _v common to A _m B _v common to B _m |
| BA | B _v common to A _m A _v common to B _m D03 valve pattern only. |

| Valve Pattern | |
|---------------|---|
| D03 | ISO 4401-03-02 NFFPA T3.5.1-D03 See Tech Information |
| S04 | ISO 10372-04-04 Daman standard S04 See Tech Information |

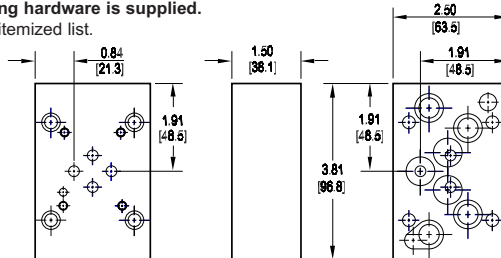
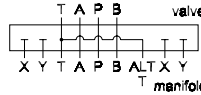
| Product Type | |
|--------------|---------------|
| VA | Valve Adaptor |

| Bolt Threads | |
|-------------------------------|--------------------------|
| Omit for inch (UNC) bolt kit. | |
| M | Metric (ISO 6H) bolt kit |

Valve Adaptors for D05 Manifolds with Pilot Ports

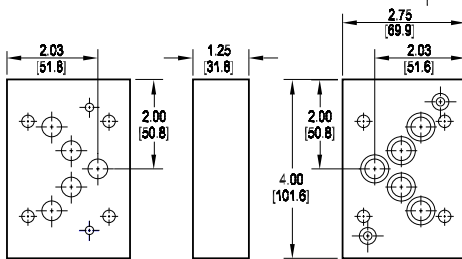
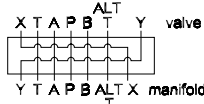
Adapt D03 valve to D05H manifold

Valve mtg: #10-24 UNC x 0.50 DP or
Metric M5-0.8mm ISO 6H x [12.7] DP
Adaptor mounting hardware is supplied.
See page 98 for itemized list.



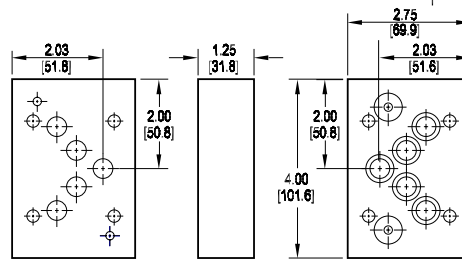
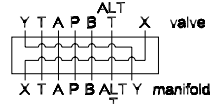
Adapt D05HE valve to D05H manifold

Adaptor interface seal kit is supplied.
See page 98 for itemized list.



Adapt D05H valve to D05HE manifold

Adaptor interface seal kit is supplied.
See page 98 for itemized list.



Specifications, descriptions, and dimensional data are subject to correction or change without notice or incurring obligation.
Download latest catalog page revisions at www.damanifolds.com.

Ordering Information

| Material | Valve Pattern | Manifold Pattern | Product Type | Port Orientation | Bolt Threads |
|----------|---------------|------------------|--------------|------------------|--------------|
|----------|---------------|------------------|--------------|------------------|--------------|

| Material | |
|---|---|
| A | Aluminum - 6061-T6 30000† psi • 20.7 MPa |
| D | Ductile Iron - D4512 50000† psi • 34.5 MPa |
| † Working pressure should be considered in accordance with ISO 4413 to determine appropriate material type. | |

| Manifold Pattern | |
|----------------------|--|
| See Tech Information | |
| D05H | ISO 4401-05-05 NFFPA T3.5.1-D05 Alt A & B |
| D05HE | ISO 4401-05-05 NFFPA T3.5.1-D05 Alt A |

| Port Orientation | |
|------------------|--|
| AB | A _V common to A _m B _V common to B _m |

| Valve Pattern | |
|----------------------|--|
| See Tech Information | |
| D03 | ISO 4401-03-02 NFFPA T3.5.1-D03 |
| D05H | (USA std) NFFPA T3.5.1-D05 Alt B |
| D05HE | ISO 4401-05-05 NFFPA T3.5.1-D05 Alt A |

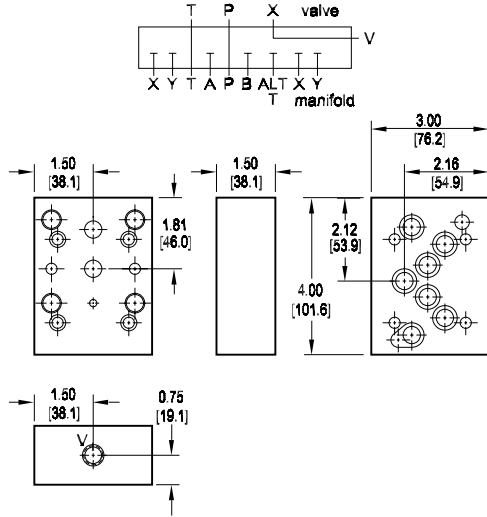
| Product Type | |
|--------------|---------------|
| VA | Valve Adaptor |

| Bolt Threads | |
|-------------------------------|--------------------------|
| Omit for inch (UNC) bolt kit. | |
| M | Metric (ISO 6H) bolt kit |

Relief Valve Adaptors for D05(H) Manifolds

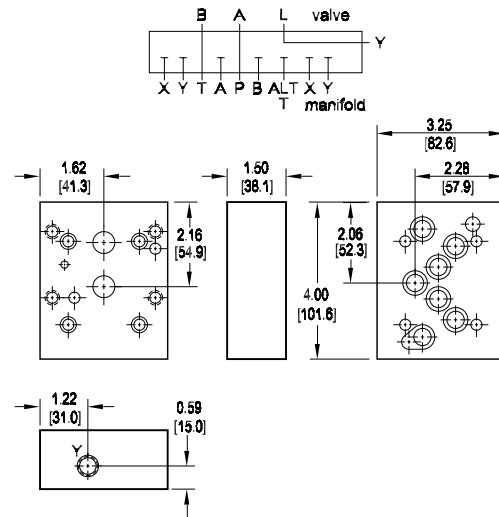
Adapt I06 (NFPA R06) valve to D05H manifold

Valve mtg: UNC 0.50-13 x 1.00 DP or
Metric M12 x 1.75mm ISO 6H x [25.4] DP
Vent port: 0.25 NPTF or 0.25 BSPT (M option).
Adaptor mounting hardware is supplied.
See page 98 for itemized list.



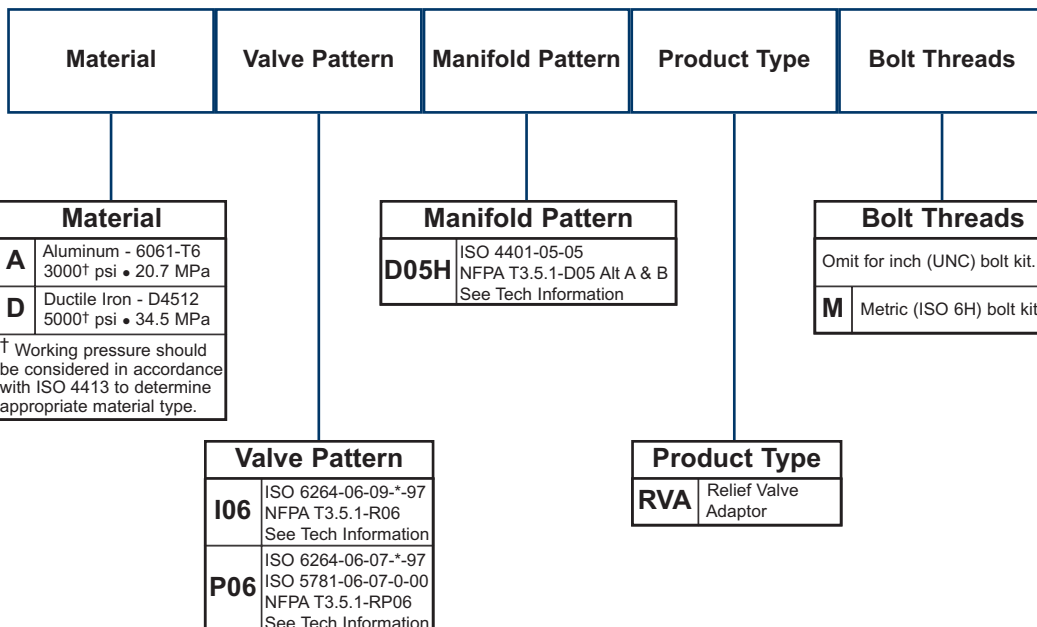
Adapt P06 valve to D05H manifold

Valve mtg: UNC 0.38-16 x 1.00 DP or
Metric M10-1.5mm ISO 6H x [25.4] DP
Vent port: 0.25 NPTF or 0.25 BSPT (M option).
Adaptor mounting hardware is supplied.
See page 98 for itemized list.



Specifications, descriptions, and dimensional data are subject to correction or change without notice or incurring obligation. Download latest catalog page revisions at www.damanifolds.com.

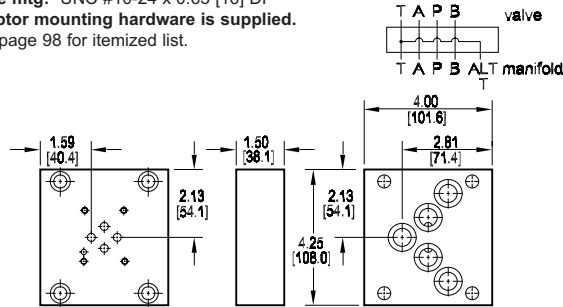
Ordering Information



Valve Adaptors for D06 Manifolds

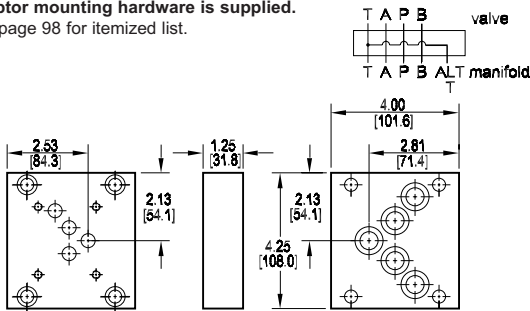
Adapt D03 valve to D06 manifold

Valve mtg: UNC #10-24 x 0.63 [16] DP
 Adaptor mounting hardware is supplied.
 See page 98 for itemized list.



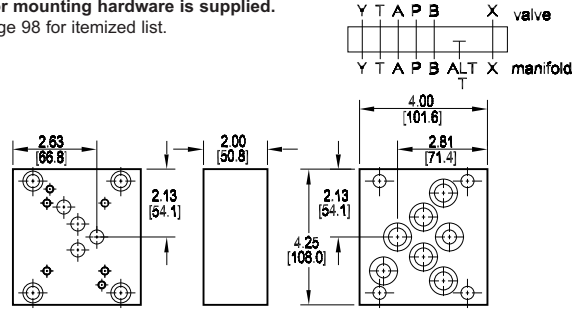
Adapt D05 valve to D06 manifold

Valve mtg: UNC 0.25-20 x 0.56 [14.2] DP
 Adaptor mounting hardware is supplied.
 See page 98 for itemized list.



Adapt D05H valve to D06H manifold

Valve mtg: UNC 0.25-20 x 0.50 [12.7] DP
 Adaptor mounting hardware is supplied.
 See page 98 for itemized list.



Specifications, descriptions, and dimensional data are subject to correction or change without notice or incurring obligation. Download latest catalog page revisions at www.damanifolds.com.

Ordering Information

| Material | Valve Pattern | Manifold Pattern | Product Type | Port Orientation |
|----------|---------------|------------------|--------------|------------------|
|----------|---------------|------------------|--------------|------------------|

| Material | |
|---|--|
| A | Aluminum - 6061-T6 3000† psi • 20.7 MPa |
| D | Ductile Iron - D4512 5000† psi • 34.5 MPa |
| † Working pressure should be considered in accordance with ISO 4413 to determine appropriate material type. | |

| Manifold Pattern | |
|----------------------|-------------------------------------|
| See Tech Information | |
| D06 | NFPA T3.5.1-D06 (X & Y omitted) |
| D06H | NFPA T3.5.1-D06 (X & Y included) |

| Port Orientation | |
|------------------|--|
| AB | A _V common to A _M B _V common to B _M |

| Valve Pattern | |
|----------------------|------------------------------------|
| See Tech Information | |
| D03 | ISO 4401-03-02 NFPA T3.5.1-D03 |
| D05 | ISO 4401-05-04 NFPA T3.5.1-D05 |
| D05H | (USA std) NFPA T3.5.1-D05 Alt B |

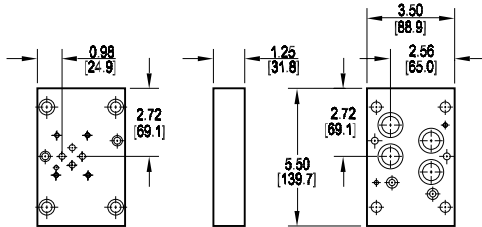
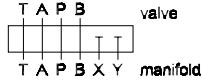
| Product Type | |
|--------------|---------------|
| VA | Valve Adaptor |

Valve Adaptors for D07 Manifolds

Adapt D03 valve to D07 manifold

Valve mtg: UNC #10-24 x 0.44 DP or
Metric M5-0.8mm ISO 6H x [11.1] DP

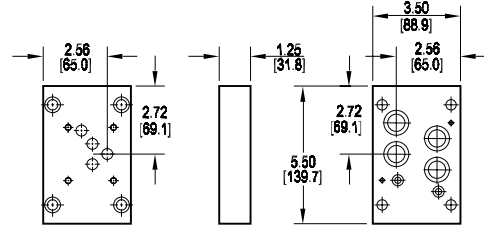
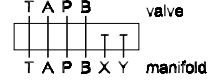
Adaptor mounting hardware is supplied.
See page 98 for itemized list.



Adapt D05 valve to D07 manifold

Valve mtg: UNC 0.25-20 x 0.50 DP or
Metric M6-1.0mm ISO 6H x [12.7] DP

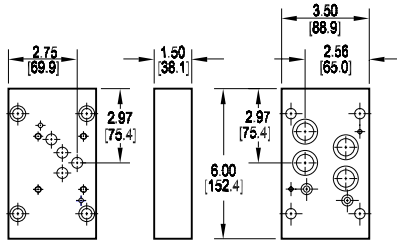
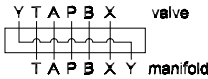
Adaptor mounting hardware is supplied.
See page 98 for itemized list.



Adapt D05H valve to D07 manifold

Valve mtg: UNC 0.25-20 x 0.50 DP or
Metric M6-1.0mm ISO 6H x [12.7] DP

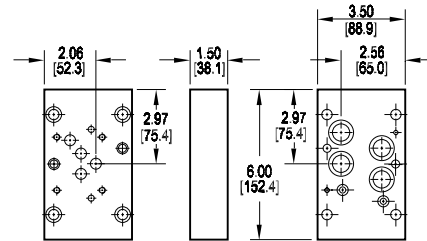
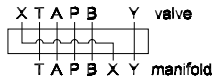
Adaptor mounting hardware is supplied.
See page 98 for itemized list.



Adapt D05HE valve to D07 manifold

Valve mtg: UNC 0.25-20 x 0.50 DP or
Metric M6-1.0mm ISO 6H x [12.7] DP

Adaptor mounting hardware is supplied.
See page 98 for itemized list.



Specifications, descriptions, and dimensional data are subject to correction or change without notice or incurring obligation. Download latest catalog page revisions at www.damanifolds.com.

Ordering Information

| Material | Valve Pattern | Manifold Pattern | Product Type | Port Orientation | Bolt Threads |
|----------|---------------|------------------|--------------|------------------|--------------|
|----------|---------------|------------------|--------------|------------------|--------------|

| Material | |
|---|--|
| A | Aluminum - 6061-T6 3000† psi • 20.7 MPa |
| D | Ductile Iron - D4512 5000† psi • 34.5 MPa |
| † Working pressure should be considered in accordance with ISO 4413 to determine appropriate material type. | |

| Manifold Pattern | |
|------------------|--|
| D07 | ISO 4401-07-06 NFFPA T3.5.1-D07 See Tech Information |

| Port Orientation | |
|------------------|--|
| AB | A _v common to A _m B _v common to B _m |

| Valve Pattern | |
|----------------------|--|
| See Tech Information | |
| D03 | ISO 4401-03-02 NFFPA T3.5.1-D03 |
| D05 | ISO 4401-05-04 NFFPA T3.5.1-D05 |
| D05H | (USA std) NFFPA T3.5.1-D05 Alt B |
| D05HE | ISO 4401-05-05 NFFPA T3.5.1-D05 Alt A |

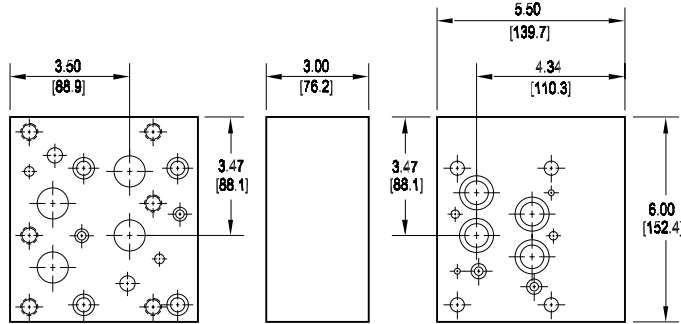
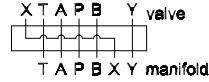
| Product Type | |
|--------------|---------------|
| VA | Valve Adaptor |

| Bolt Threads | |
|-------------------------------|--------------------------|
| Omit for inch (UNC) bolt kit. | |
| M | Metric (ISO 6H) bolt kit |

Valve Adaptors for D07 Manifolds

Adapt D08 valve to D07 manifold

Valve mtg: UNC 0.50-13 x 1.19 DP or
Metric M12-1.75mm ISO 6H x [30.2] DP
Adaptor mounting hardware is supplied.
See page 98 for itemized list.



Note: This adaptor is too wide to use on any position other than station one of a multi-station manifold.

Specifications, descriptions, and dimensional data are subject to correction or change without notice or incurring obligation. Download latest catalog page revisions at www.damanifolds.com.

Ordering Information

| Material | Valve Pattern | Manifold Pattern | Product Type | Port Orientation | Bolt Threads |
|----------|---------------|------------------|--------------|------------------|--------------|
|----------|---------------|------------------|--------------|------------------|--------------|

| Material | |
|---|--|
| A | Aluminum - 6061-T6 3000† psi • 20.7 MPa |
| D | Ductile Iron - D4512 5000† psi • 34.5 MPa |
| † Working pressure should be considered in accordance with ISO 4413 to determine appropriate material type. | |

| Manifold Pattern | |
|------------------|---|
| D07 | ISO 4401-07-06 NFPA T3.5.1-D07 See Tech Information |

| Port Orientation | |
|------------------|--|
| AB | A _V common to A _m B _V common to B _m |

| Product Type | |
|--------------|---------------|
| VA | Valve Adaptor |

| Bolt Threads | |
|-------------------------------|--------------------------|
| Omit for inch (UNC) bolt kit. | |
| M | Metric (ISO 6H) bolt kit |

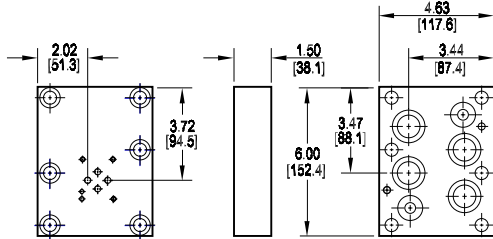
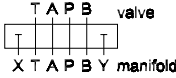
| Valve Pattern | |
|---------------|---|
| D08 | ISO 4401-08-07 NFPA T3.5.1-D08 See Tech Information |

Valve Adaptors for D08 Manifolds

Adapt D03 valve to D08 manifold

Valve mtg: UNC #10-24 x 0.50 DP or
Metric M5-0.8mm ISO 6H x [12.7] DP

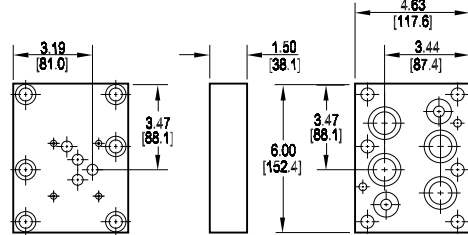
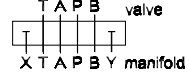
Adaptor mounting hardware is supplied.
See page 99 for itemized list.



Adapt D05 valve to D08 manifold

Valve mtg: UNC 0.25-20 x 0.50 DP or
Metric M6-1.0mm ISO 6H x [12.7] DP

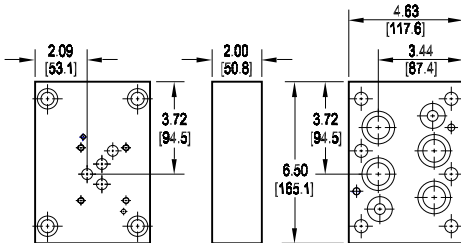
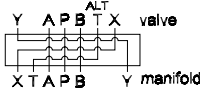
Adaptor mounting hardware is supplied.
See page 99 for itemized list.



Adapt D05H valve to D08 manifold

Valve mtg: UNC 0.25-20 x 0.75 DP or
Metric M6-1.0mm ISO 6H x [19.1] DP

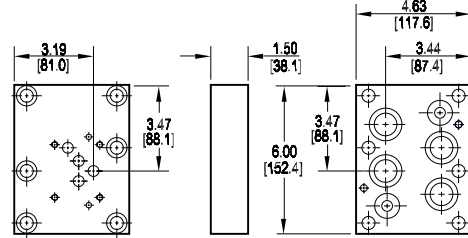
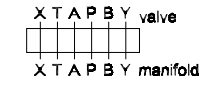
Adaptor mounting hardware is supplied.
See page 99 for itemized list.



Adapt D05HE valve to D08 manifold

Valve mtg: 0.25-20 UNC x 0.50 DP or
Metric M6-1.0mm ISO 6H x [12.7] DP

Adaptor mounting hardware is supplied.
See page 99 for itemized list.



Specifications, descriptions, and dimensional data are subject to correction or change without notice or incurring obligation. Download latest catalog page revisions at www.damanifolds.com.

Ordering Information

| Material | Valve Pattern | Manifold Pattern | Product Type | Port Orientation | Bolt Threads |
|----------|---------------|------------------|--------------|------------------|--------------|
|----------|---------------|------------------|--------------|------------------|--------------|

| Material | |
|---|--|
| A | Aluminum - 6061-T6 3000† psi • 20.7 MPa |
| D | Ductile Iron - D4512 5000† psi • 34.5 MPa |
| † Working pressure should be considered in accordance with ISO 4413 to determine appropriate material type. | |

| Manifold Pattern | |
|------------------|--|
| D08 | ISO 4401-08-07 NFFPA T3.5.1-D08 See Tech Information |

| Port Orientation | |
|------------------|--|
| AB | A _v common to A _m B _v common to B _m |

| Valve Pattern | |
|----------------------|--|
| See Tech Information | |
| D03 | ISO 4401-03-02 NFFPA T3.5.1-D03 |
| D05 | ISO 4401-05-04 NFFPA T3.5.1-D05 |
| D05H | (USA std) NFFPA T3.5.1-D05 Alt B |
| D05HE | ISO 4401-05-05 NFFPA T3.5.1-D05 Alt A |

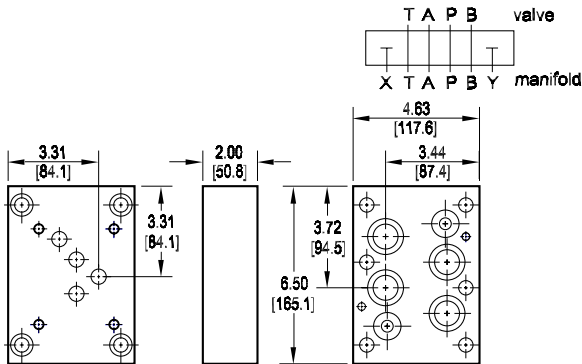
| Product Type | |
|--------------|---------------|
| VA | Valve Adaptor |

| Bolt Threads | |
|-------------------------------|--------------------------|
| Omit for inch (UNC) bolt kit. | |
| M | Metric (ISO 6H) bolt kit |

Valve Adaptors for D08 Manifolds

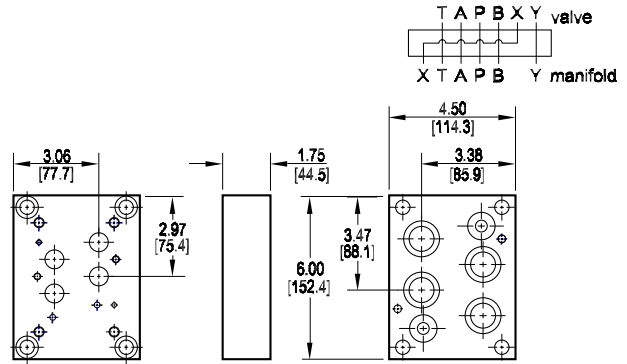
Adapt D06 valve to D08 manifold

Valve mtg: UNC 0.38-16 x 0.75 DP or
Metric M10-1.5mm ISO 6H x [19.1] DP
Adaptor mounting hardware is supplied.
See page 99 for itemized list.



Adapt D07 valve to D08 manifold

Valve mtg: UNC 0.38-16 x 0.75 DP or
Metric M10-1.5mm ISO 6H x [19.1] DP
Adaptor mounting hardware is supplied.
See page 99 for itemized list.



Specifications, descriptions, and dimensional data are subject to correction or change without notice or incurring obligation. Download latest catalog page revisions at www.damanifolds.com.

Ordering Information

| Material | Valve Pattern | Manifold Pattern | Product Type | Port Orientation | Bolt Threads |
|----------|---------------|------------------|--------------|------------------|--------------|
|----------|---------------|------------------|--------------|------------------|--------------|

| Material | |
|---|--|
| A | Aluminum - 6061-T6 3000† psi • 20.7 MPa |
| D | Ductile Iron - D4512 5000† psi • 34.5 MPa |
| † Working pressure should be considered in accordance with ISO 4413 to determine appropriate material type. | |

| Manifold Pattern | |
|------------------|---|
| D08 | ISO 4401-08-07 NFPA T3.5.1-D08 See Tech Information |

| Port Orientation | |
|------------------|--|
| AB | A _V common to A _M B _V common to B _M |

| Product Type | |
|--------------|---------------|
| VA | Valve Adaptor |

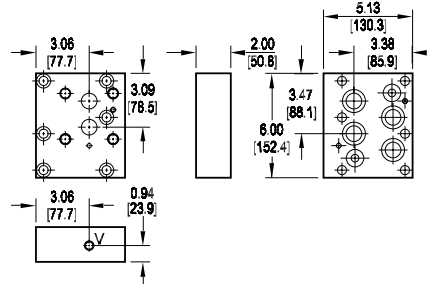
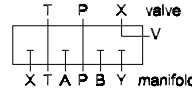
| Bolt Threads | |
|-------------------------------|--------------------------|
| Omit for inch (UNC) bolt kit. | |
| M | Metric (ISO 6H) bolt kit |

| Valve Pattern | |
|---------------|---|
| D06 | NFPA T3.5.1-D06 See Tech Information |
| D07 | ISO 4401-07-06 NFPA T3.5.1-D07 See Tech Information |

Relief Valve Adaptors for D08 Manifolds

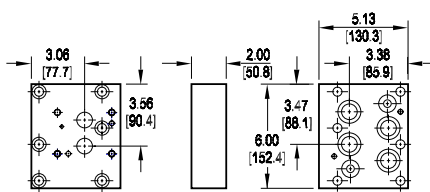
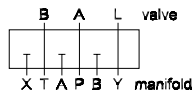
Adapt I08 (NFPA RV08) valve to D08 manifold

Valve mtg: UNC 0.63-11 x 0.94 DP or
Metric M16-2mm ISO 6H x [23.8] DP
Vent port: 0.25 NPTF or 0.25 BSPT (M option).
Adaptor mounting hardware is supplied.
See page 99 for itemized list.



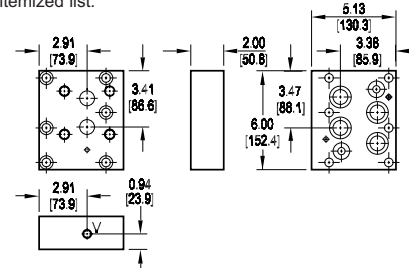
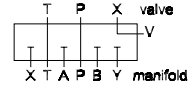
Adapt P08 valve to D08 manifold

Valve mtg: UNC 0.38-16 x 0.75 DP or
Metric M10-1.5mm ISO 6H x [19.1] DP
Adaptor mounting hardware is supplied.
See page 99 for itemized list.



Adapt R08 valve to D08 manifold

Valve mtg: UNC 0.63-11 x 0.94 DP or
Metric M16-2.0mm ISO 6H x [23.8] DP
Vent port: 0.25 NPTF or 0.25 BSPT (M option).
Adaptor mounting hardware is supplied.
See page 99 for itemized list.



Specifications, descriptions, and dimensional data are subject to correction or change without notice or incurring obligation. Download latest catalog page revisions at www.damanifolds.com.

Ordering Information

| Material | Valve Pattern | Manifold Pattern | Product Type | Bolt Threads |
|----------|---------------|------------------|--------------|--------------|
|----------|---------------|------------------|--------------|--------------|

| Material | |
|---|--|
| A | Aluminum - 6061-T6 3000† psi • 20.7 MPa |
| D | Ductile Iron - D4512 5000† psi • 34.5 MPa |
| † Working pressure should be considered in accordance with ISO 4413 to determine appropriate material type. | |

| Manifold Pattern | |
|------------------|---|
| D08 | ISO 4401-08-07 NFPA T3.5.1-D08 See Tech Information |

| Bolt Threads | |
|-------------------------------|--------------------------|
| Omit for inch (UNC) bolt kit. | |
| M | Metric (ISO 6H) bolt kit |

| Valve Pattern | |
|----------------------|--|
| See Tech Information | |
| I08 | NFPA T3.5.1-RV08 |
| P08 | ISO 6264-08-11-*-97 ISO 5781-08-10-0-00 NFPA T3.5.1-RP08 |
| R08 | ISO 6264-06-09-*-97 NFPA T3.5.1-R08 |

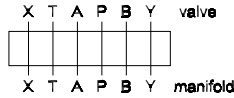
| Product Type | |
|--------------|----------------------|
| RVA | Relief Valve Adaptor |

Valve Adaptors for D10 Manifolds

Adapt D07 valve to D10 manifold

Valve mtg: 0.25-20 UNC x 0.75 DP and
0.38-16 UNC x 1.00 DP or
Metric M6-1.0mm ISO 6H x [19.1] DP and
M10-1.5mm ISO 6H x [25.4] DP

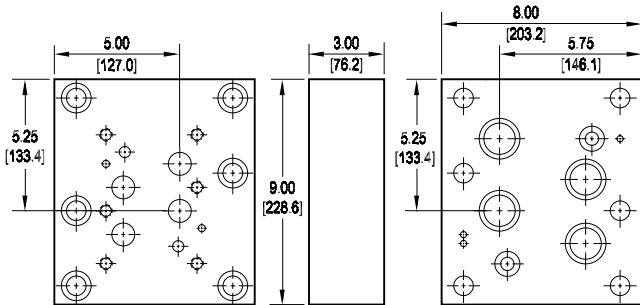
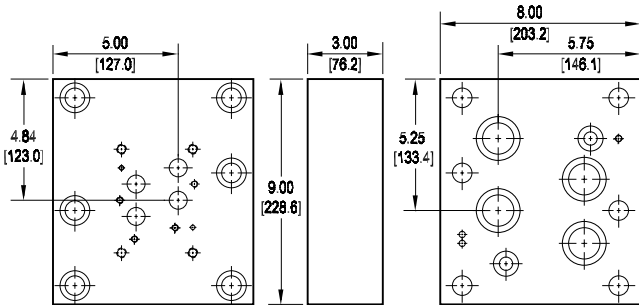
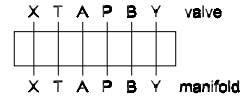
Adaptor mounting hardware is supplied.
See page 99 for itemized list.



Adapt D08 valve to D10 manifold

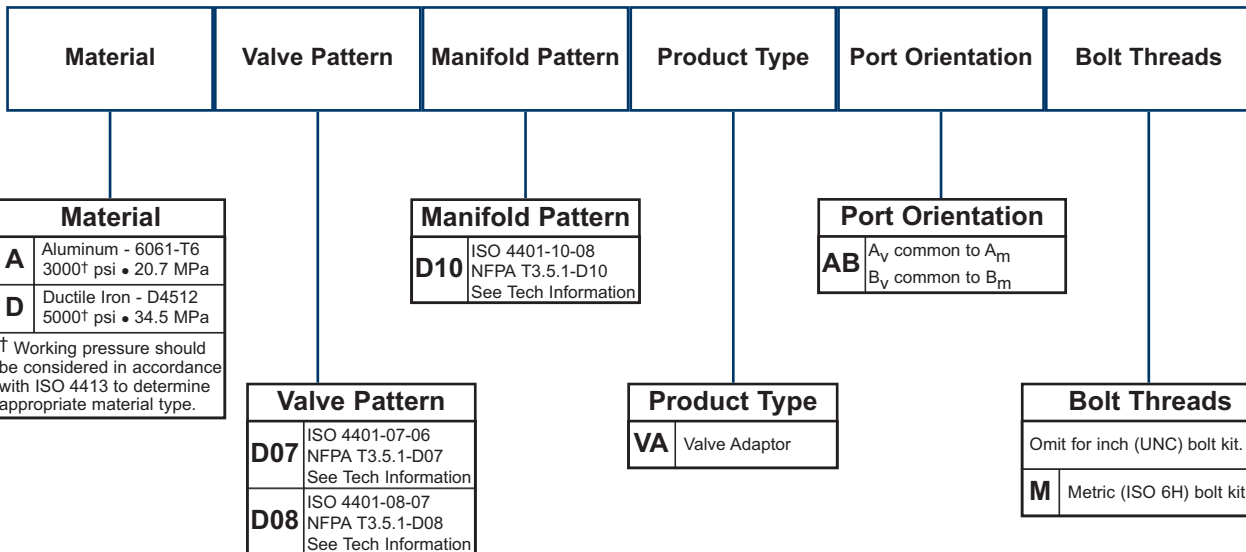
Valve mtg: UNC 0.50-13 x 1.19 DP or
Metric M12-1.75mm ISO 6H x [30.2] DP

Adaptor mounting hardware is supplied.
See page 99 for itemized list.



Specifications, descriptions, and dimensional data are subject to correction or change without notice or incurring obligation. Download latest catalog page revisions at www.damanifolds.com.

Ordering Information

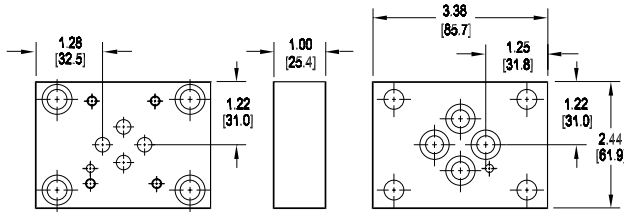
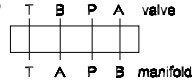


D03 / D05 Valve Adaptors for S04 Subplates

Adapt D03 valve to S04 manifold • BA oriented

Valve mtg: UNC #10-24 x 0.63 DP or
Metric M5 x 0.8mm ISO 6H x [15.9] DP

Adaptor mounting hardware is supplied.
See page 99 for itemized list.

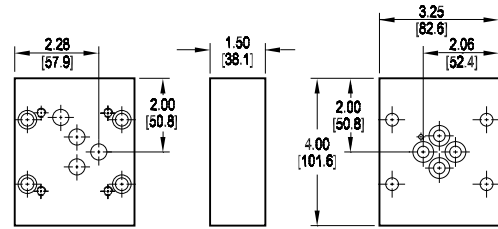
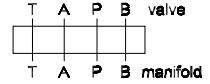


This adaptor does not orient the A & B ports on the manifold to the respective valve solenoids.

Adapt D05 valve to S04 manifold • AB oriented

Valve mtg: UNC 0.25-20 x 0.63 DP or
Metric M6 x 1.0mm ISO 6H x [15.9] DP

Adaptor mounting hardware is supplied.
See page 99 for itemized list.



This adaptor properly orients the A & B ports on the manifold to the respective valve solenoids.

Specifications, descriptions, and dimensional data are subject to correction or change without notice or incurring obligation. Download latest catalog page revisions at www.damanifolds.com.

Ordering Information

| Material | Valve Pattern | Manifold Pattern | Product Type | Port Orientation | Bolt Threads |
|----------|---------------|------------------|--------------|------------------|--------------|
|----------|---------------|------------------|--------------|------------------|--------------|

| Material | |
|---|--|
| A | Aluminum - 6061-T6 3000† psi • 20.7 MPa |
| D | Ductile Iron - D4512 5000† psi • 34.5 MPa |
| † Working pressure should be considered in accordance with ISO 4413 to determine appropriate material type. | |

| Manifold Pattern | |
|------------------|---|
| S04 | ISO 10372-04-04 Daman std. S04 See Tech Information |

| Port Orientation | |
|------------------|--|
| BA | B _v common to A _m A _v common to B _m D03 valve pattern only |
| AB | A _v common to A _m B _v common to B _m D05 valve pattern only |

| Valve Pattern | |
|---------------|---|
| D03 | ISO 4401-03-02 NFPA T3.5.1-D03 See Tech Information |
| D05 | ISO 4401-05-04 NFPA T3.5.1-D05 See Tech Information |

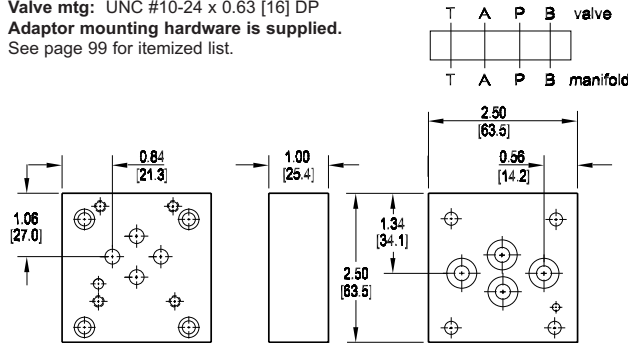
| Product Type | |
|--------------|---------------|
| VA | Valve Adaptor |

| Bolt Threads | |
|-------------------------------|--------------------------|
| Omit for inch (UNC) bolt kit. | |
| M | Metric (ISO 6H) bolt kit |

D03 to “Obsolete Valve” Adaptors

Adapt D03 valve to Racine 01Q manifold

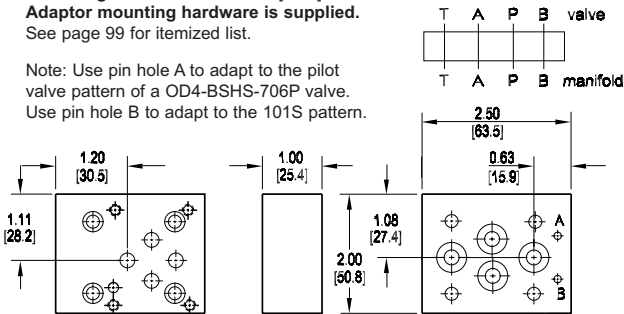
Valve mtg: UNC #10-24 x 0.63 [16] DP
 Adaptor mounting hardware is supplied.
 See page 99 for itemized list.



Adapt D03 valve to Racine 01S manifold

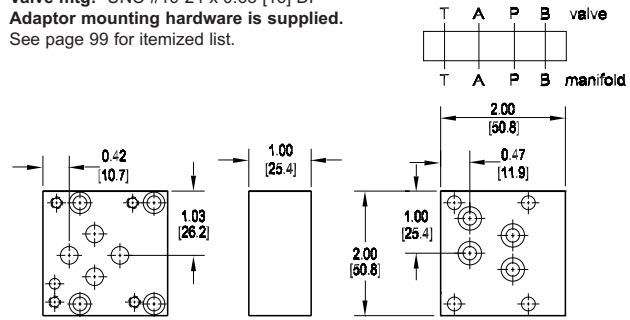
Valve mtg: UNC #10-24 x 0.75 [19.1] DP
 Adaptor mounting hardware is supplied.
 See page 99 for itemized list.

Note: Use pin hole A to adapt to the pilot valve pattern of a OD4-BSHS-706P valve.
 Use pin hole B to adapt to the 101S pattern.



Adapt D03 valve to Parker D1B manifold

Valve mtg: UNC #10-24 x 0.63 [16] DP
 Adaptor mounting hardware is supplied.
 See page 99 for itemized list.



Specifications, descriptions, and dimensional data are subject to correction or change without notice or incurring obligation.
 Download latest catalog page revisions at www.damanifolds.com.

Ordering Information

| Material | Valve Pattern | Manifold Pattern | Product Type | Port Orientation |
|----------|---------------|------------------|--------------|------------------|
|----------|---------------|------------------|--------------|------------------|

| Material | |
|---|--|
| A | Aluminum - 6061-T6 3000† psi • 20.7 MPa |
| D | Ductile Iron - D4512 5000† psi • 34.5 MPa |
| † Working pressure should be considered in accordance with ISO 4413 to determine appropriate material type. | |

| Manifold Pattern | |
|----------------------|---------------------------|
| See Tech Information | |
| 01Q | Racine FD4-D*HS-*01Q-* |
| 01S | Racine OD4-D*HS-101S |
| D1B | Parker D1BW-**** |

| Port Orientation | |
|------------------|--|
| AB | A _V common to A _M B _V common to B _M |

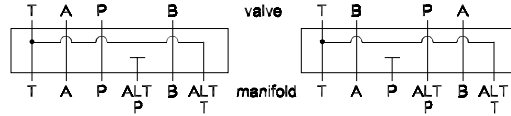
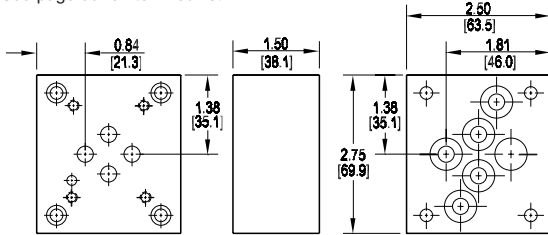
| Valve Pattern | |
|---------------|---|
| D03 | ISO 4401-03-02 NFPA T3.5.1-D03 See Tech Information |

| Product Type | |
|--------------|---------------|
| VA | Valve Adaptor |

D03 to "Obsolete Valve" Adaptors

Adapt D03 valve to Denison D1D04 manifold

Valve mtg: UNC #10-24 x 0.50 [12.7] DP
 Adaptor mounting hardware is supplied.
 See page 99 for itemized list.

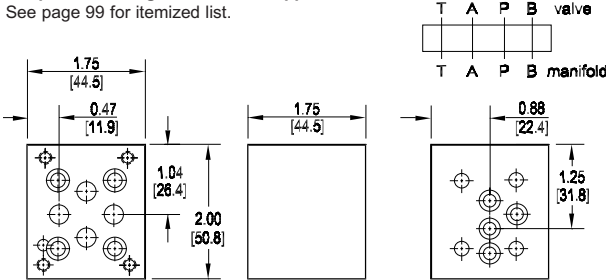


Schematic of typical installation. Replaces D1D04 valves that utilized the standard P port.

Schematic of optional installation. Replaces D1D04 pilot valves that utilized the alternate P port. The adaptor is rotated 180° in this case, which swaps A & B orientation.

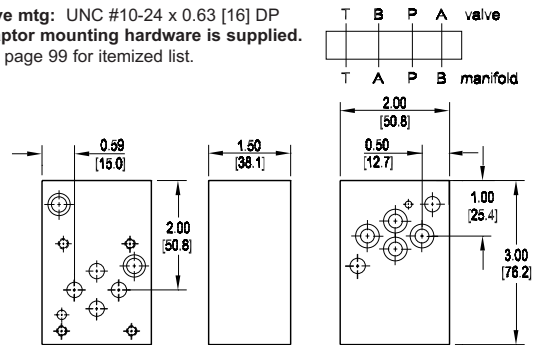
Adapt D03 valve to Vickers D1L manifold

Valve mtg: UNC #10-24 x 0.63 [16] DP
 Adaptor mounting hardware is supplied.
 See page 99 for itemized list.



Adapt D03 valve to Vickers DG4M4 manifold

Valve mtg: UNC #10-24 x 0.63 [16] DP
 Adaptor mounting hardware is supplied.
 See page 99 for itemized list.



Specifications, descriptions, and dimensional data are subject to correction or change without notice or incurring obligation. Download latest catalog page revisions at www.damanifolds.com.

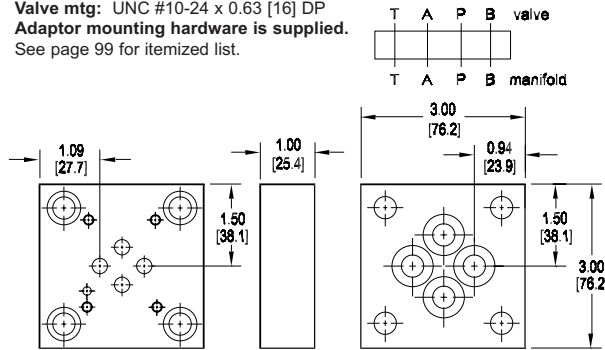
Ordering Information

| Material | Valve Pattern | Manifold Pattern | Product Type | Port Orientation | | | | | | | | | | | | | | | | | | | | | | | | | | | | | | | | | | |
|--|--|------------------|--------------|--|----------|--|---|--|---|---------------|--|------------|---|---|------------------|--|----------------------|--|--------------|------------------------|------------|-------------------|--------------|---------------------|---|--------------|--|-----------|---------------|---|------------------|--|-----------|---|--|-----------|---|---|
| <table border="1"> <thead> <tr> <th colspan="2">Material</th> </tr> </thead> <tbody> <tr> <td>A</td> <td>Aluminum - 6061-T6 3000† psi • 20.7 MPa</td> </tr> <tr> <td>D</td> <td>Ductile Iron - D4512 5000† psi • 34.5 MPa</td> </tr> <tr> <td colspan="2">† Working pressure should be considered in accordance with ISO 4413 to determine appropriate material type.</td> </tr> </tbody> </table> | Material | | A | Aluminum - 6061-T6 3000† psi • 20.7 MPa | D | Ductile Iron - D4512 5000† psi • 34.5 MPa | † Working pressure should be considered in accordance with ISO 4413 to determine appropriate material type. | | <table border="1"> <thead> <tr> <th colspan="2">Valve Pattern</th> </tr> </thead> <tbody> <tr> <td>D03</td> <td>ISO 4401-03-02 NFPA T3.5.1-D03 See Tech Information</td> </tr> </tbody> </table> | Valve Pattern | | D03 | ISO 4401-03-02 NFPA T3.5.1-D03 See Tech Information | <table border="1"> <thead> <tr> <th colspan="2">Manifold Pattern</th> </tr> <tr> <td colspan="2">See Tech Information</td> </tr> </thead> <tbody> <tr> <td>D1D04</td> <td>Denison D1D04-3*...</td> </tr> <tr> <td>D1L</td> <td>Vickers D1L...</td> </tr> <tr> <td>DG4M4</td> <td>Vickers DG4M4...</td> </tr> </tbody> </table> | Manifold Pattern | | See Tech Information | | D1D04 | Denison D1D04-3*... | D1L | Vickers D1L... | DG4M4 | Vickers DG4M4... | <table border="1"> <thead> <tr> <th colspan="2">Product Type</th> </tr> </thead> <tbody> <tr> <td>VA</td> <td>Valve Adaptor</td> </tr> </tbody> </table> | Product Type | | VA | Valve Adaptor | <table border="1"> <thead> <tr> <th colspan="2">Port Orientation</th> </tr> </thead> <tbody> <tr> <td rowspan="2">AB</td> <td>A_v common to A_m</td> </tr> <tr> <td>B_v common to B_m (D1D04 and D1L)</td> </tr> <tr> <td rowspan="2">BA</td> <td>B_v common to A_m</td> </tr> <tr> <td>A_v common to B_m (DG4M4 only)</td> </tr> </tbody> </table> | Port Orientation | | AB | A _v common to A _m | B _v common to B _m (D1D04 and D1L) | BA | B _v common to A _m | A _v common to B _m (DG4M4 only) |
| Material | | | | | | | | | | | | | | | | | | | | | | | | | | | | | | | | | | | | | | |
| A | Aluminum - 6061-T6 3000† psi • 20.7 MPa | | | | | | | | | | | | | | | | | | | | | | | | | | | | | | | | | | | | | |
| D | Ductile Iron - D4512 5000† psi • 34.5 MPa | | | | | | | | | | | | | | | | | | | | | | | | | | | | | | | | | | | | | |
| † Working pressure should be considered in accordance with ISO 4413 to determine appropriate material type. | | | | | | | | | | | | | | | | | | | | | | | | | | | | | | | | | | | | | | |
| Valve Pattern | | | | | | | | | | | | | | | | | | | | | | | | | | | | | | | | | | | | | | |
| D03 | ISO 4401-03-02 NFPA T3.5.1-D03 See Tech Information | | | | | | | | | | | | | | | | | | | | | | | | | | | | | | | | | | | | | |
| Manifold Pattern | | | | | | | | | | | | | | | | | | | | | | | | | | | | | | | | | | | | | | |
| See Tech Information | | | | | | | | | | | | | | | | | | | | | | | | | | | | | | | | | | | | | | |
| D1D04 | Denison D1D04-3*... | | | | | | | | | | | | | | | | | | | | | | | | | | | | | | | | | | | | | |
| D1L | Vickers D1L... | | | | | | | | | | | | | | | | | | | | | | | | | | | | | | | | | | | | | |
| DG4M4 | Vickers DG4M4... | | | | | | | | | | | | | | | | | | | | | | | | | | | | | | | | | | | | | |
| Product Type | | | | | | | | | | | | | | | | | | | | | | | | | | | | | | | | | | | | | | |
| VA | Valve Adaptor | | | | | | | | | | | | | | | | | | | | | | | | | | | | | | | | | | | | | |
| Port Orientation | | | | | | | | | | | | | | | | | | | | | | | | | | | | | | | | | | | | | | |
| AB | A _v common to A _m | | | | | | | | | | | | | | | | | | | | | | | | | | | | | | | | | | | | | |
| | B _v common to B _m (D1D04 and D1L) | | | | | | | | | | | | | | | | | | | | | | | | | | | | | | | | | | | | | |
| BA | B _v common to A _m | | | | | | | | | | | | | | | | | | | | | | | | | | | | | | | | | | | | | |
| | A _v common to B _m (DG4M4 only) | | | | | | | | | | | | | | | | | | | | | | | | | | | | | | | | | | | | | |

D03 to “Obsolete Valve” Adaptors

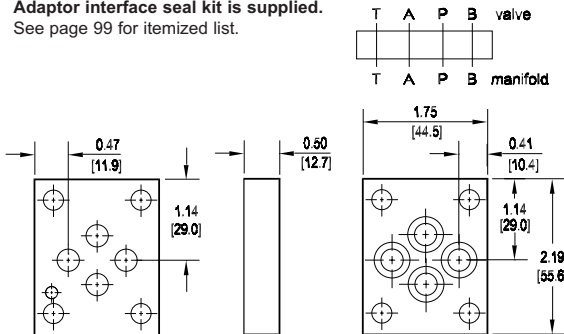
Adapt D03 valve to Republic R8143 manifold

Valve mtg: UNC #10-24 x 0.63 [16] DP
 Adaptor mounting hardware is supplied.
 See page 99 for itemized list.



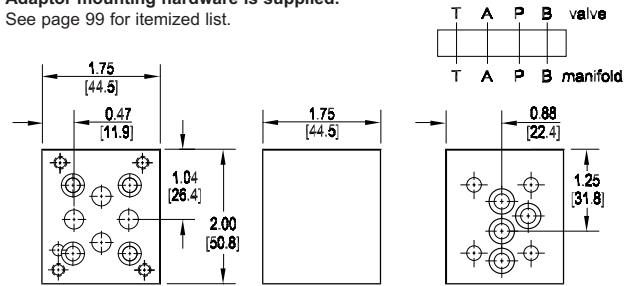
Adapt D03 valve to Rivett RVT65 manifold

Adaptor interface seal kit is supplied.
 See page 99 for itemized list.



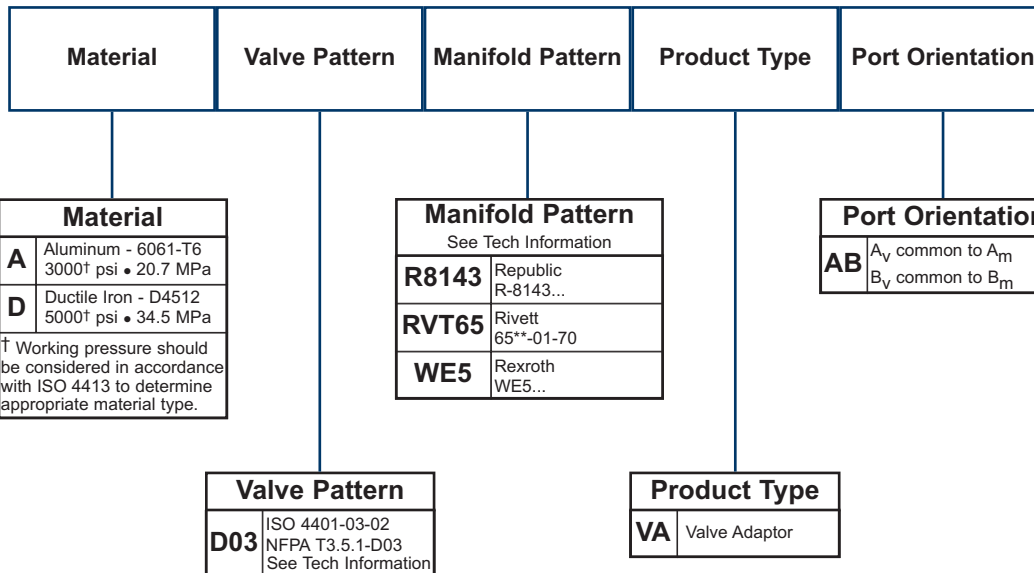
Adapt D03 valve to Rexroth WE5 manifold

Valve mtg: UNC #10-24 x 0.63 [16] DP
 Adaptor mounting hardware is supplied.
 See page 99 for itemized list.



Specifications, descriptions, and dimensional data are subject to correction or change without notice or incurring obligation.
 Download latest catalog page revisions at www.damanifolds.com.

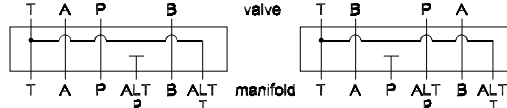
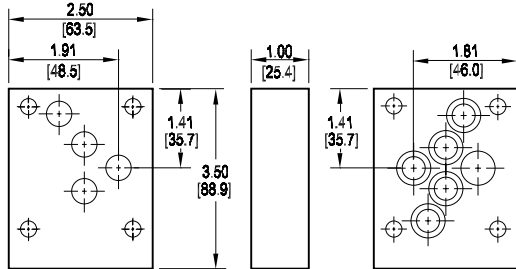
Ordering Information



D05 to "Obsolete Valve" Adaptors

Adapt D05 valve to Denison D1D04 manifold

Adaptor interface seal kit is supplied.
See page 99 for itemized list.

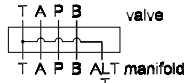
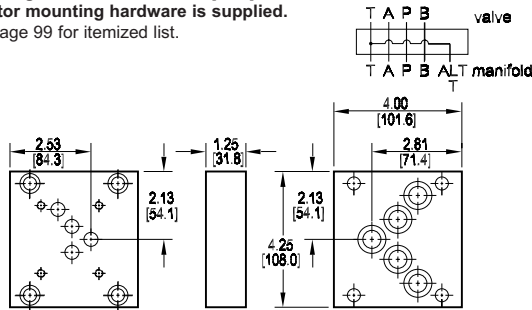


Schematic of typical installation. Replaces D1D04 valves that utilized the standard P port.

Schematic of optional installation. Replaces D1D04 pilot valves that utilized the alternate P port. The adaptor is rotated 180° in this case, which swaps A & B orientation.

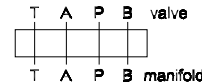
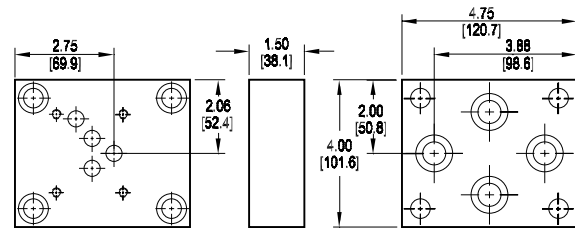
Adapt D05 valve to Vickers DG4S4-02 manifold

Valve mtg: UNC 0.25-20 x 0.56 [14.2] DP
Adaptor mounting hardware is supplied.
See page 99 for itemized list.



Adapt D05 valve to Denison DD063 manifold

Valve mtg: UNC 0.25-20 x 0.75 [19.1] DP
Adaptor mounting hardware is supplied.
See page 99 for itemized list.



Specifications, descriptions, and dimensional data are subject to correction or change without notice or incurring obligation.
Download latest catalog page revisions at www.damanifolds.com.

Ordering Information

| Material | Valve Pattern | Manifold Pattern | Product Type | Port Orientation |
|----------|---------------|------------------|--------------|------------------|
|----------|---------------|------------------|--------------|------------------|

| Material | |
|---|--|
| A | Aluminum - 6061-T6 3000† psi • 20.7 MPa |
| D | Ductile Iron - D4512 5000† psi • 34.5 MPa |
| † Working pressure should be considered in accordance with ISO 4413 to determine appropriate material type. | |

| Manifold Pattern | |
|----------------------|-------------------------------------|
| See Tech Information | |
| D06 | Vickers DG4S4-02 NFPA T3.5.1-D06 |
| D1D04 | Denison D1D04-3... |
| DD063 | Denison DD063... |

| Port Orientation | |
|------------------|--|
| AB | A _v common to A _m B _v common to B _m |

| Valve Pattern | |
|---------------|---|
| D05 | ISO 4401-05-04 NFPA T3.5.1-D05 See Tech Information |

| Product Type | |
|--------------|---------------|
| VA | Valve Adaptor |

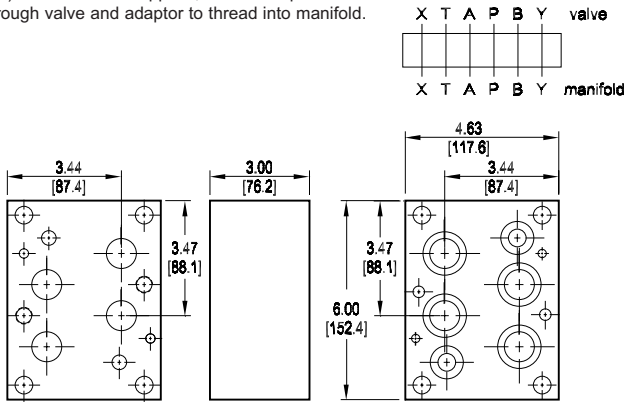
D08 to “Obsolete Valve” Adaptors

Adapt D08 valve to Denison D1D12 manifold

Valve mtg: (2) UNC 0.50-13 x 0.75 [19.1] DP
 Adaptor mounting hardware is supplied.*

See page 99 for itemized list.

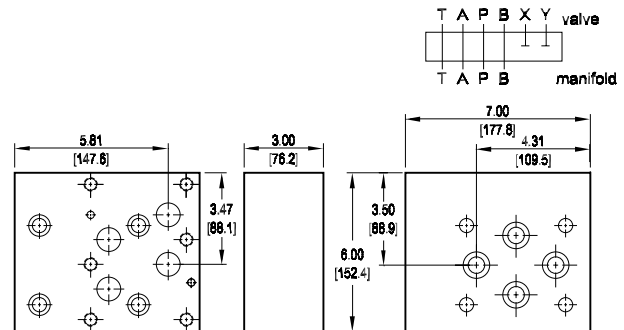
* (4) bolts are user supplied; bolts must pass through valve and adaptor to thread into manifold.



Adapt D08 valve to Denison D2D06 manifold

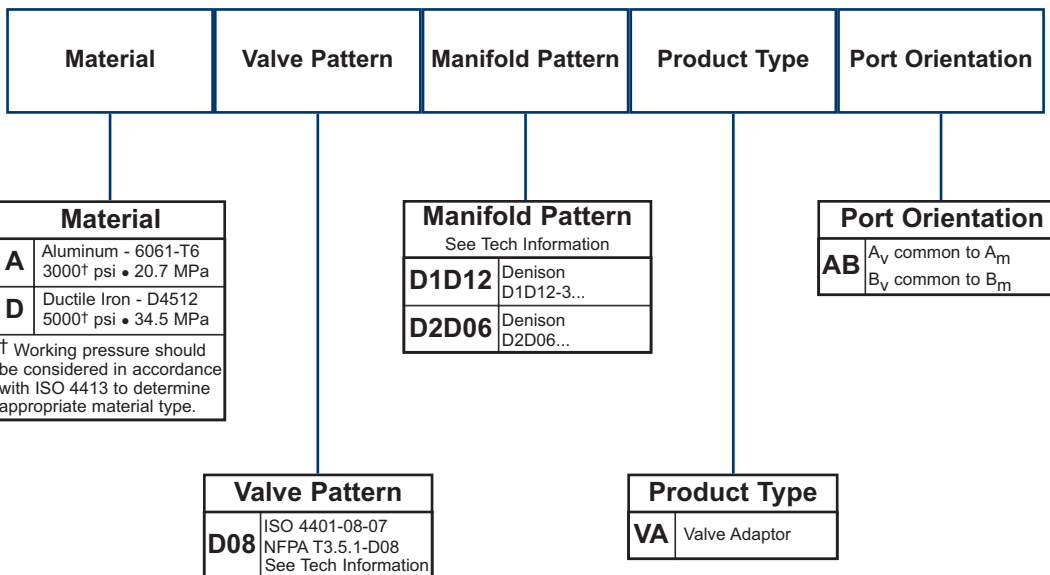
Valve mtg: UNC 0.50-13 x 1.19 [30.2] DP
 Adaptor mounting hardware is supplied.

See page 99 for itemized list.



Specifications, descriptions, and dimensional data are subject to correction or change without notice or incurring obligation. Download latest catalog page revisions at www.damanifolds.com.

Ordering Information



D10 to “Obsolete Valve” Adaptors

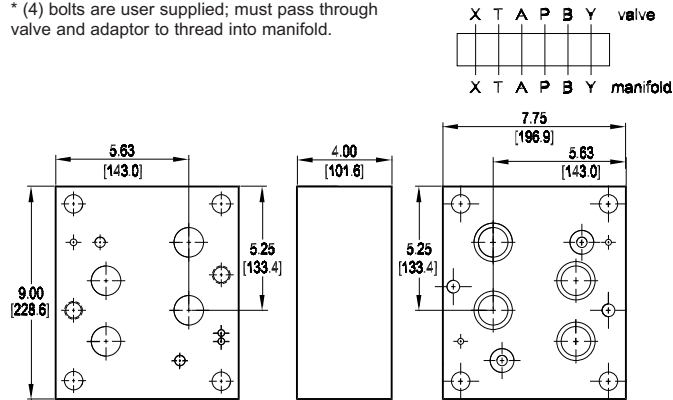
Adapt D10 valve to Denison D1D24 manifold

Valve mtg: (2) UNC 0.75-10 x 1.12 [28.4] DP

Adaptor mounting hardware is supplied.*

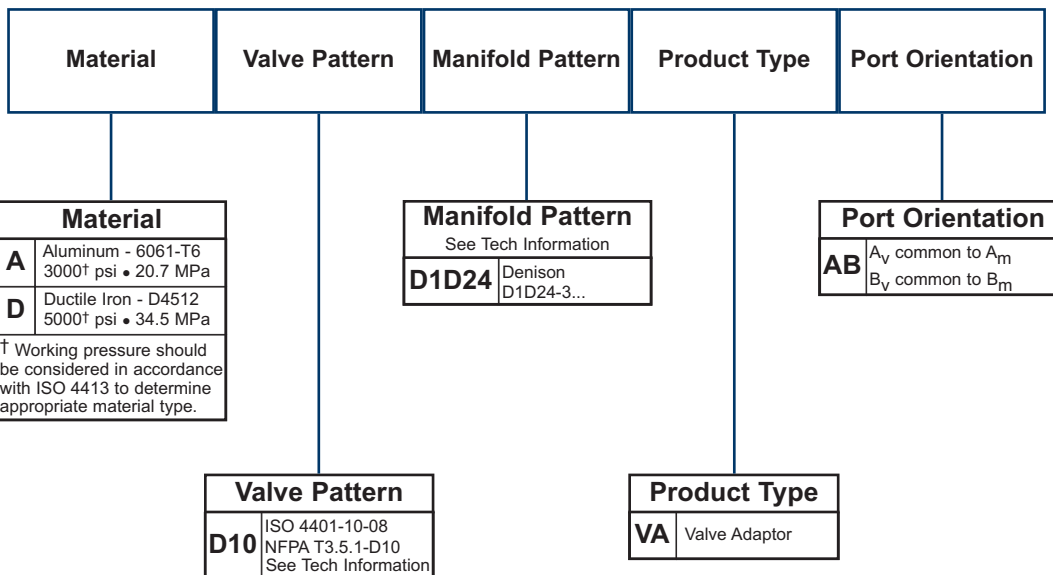
See page 99 for itemized list.

* (4) bolts are user supplied; must pass through valve and adaptor to thread into manifold.



Specifications, descriptions, and dimensional data are subject to correction or change without notice or incurring obligation. Download latest catalog page revisions at www.damanifolds.com.

Ordering Information




Valve Adaptor Mounting Hardware

| Part no. | Cat. pg. | Viton O-rings 75 durometer | Mounting Screws | Locating Pins | Plugs |
|----------------------|----------|-------------------------------|--|-----------------------------|--------------------|
| * D02 D03 VA AB | 79 | (4) -012 | (4) UNC #10-24 x 0.88 long SHCS | (1) 0.12 dia x 0.25 long | n/a |
| * D05 D03 VA AB A | 79 | (4) -012 | (4) UNC #10-24 x 1.50 long SHCS | | |
| * D05 D03 VA AB B | 79 | (4) -012 | (4) UNC #10-24 x 0.75 long SHCS | | |
| * S04 D03 VA BA | 79 | (4) -012 | (4) UNC #10-24 x 1.00 long SHCS | | |
| * D03 D03 VA BA | 80 | (4) -012 | n/a | | |
| * D02 D03 VA AB M | 79 | (4) -012 | (4) ISO 6H M5-0.8 x 20mm SHCS | (1) 0.12 dia x 0.25 long | n/a |
| * D05 D03 VA AB A M | 79 | (4) -012 | (4) ISO 6H M5-0.8 x 40mm SHCS | | |
| * D05 D03 VA AB B M | 79 | (4) -012 | (4) ISO 6H M5-0.8 x 20mm SHCS | | |
| * S04 D03 VA BA M | 79 | (4) -012 | (4) ISO 6H M5-0.8 x 25mm SHCS | | |
| * D03 D03 VA BA M | 80 | (4) -012 | n/a | | |
| * D03 D05 VA AB | 81 | (5) -014 | (4) UNC 0.25-20 x 1.25 long SHCS | n/a | n/a |
| * D03 D05 VA BA | 81 | (5) -014 | (4) UNC 0.25-20 x 0.75 long SHCS | | |
| * S04 D05 VA AB | 81 | (5) -014 | (4) UNC 0.25-20 x 1.50 long SHCS | | |
| * D03 D05 VA AB M | 81 | (5) -014 | (4) ISO 6H M6-1.0 x 35mm SHCS | n/a | n/a |
| * D03 D05 VA BA M | 81 | (5) -014 | (4) ISO 6H M6-1.0 x 20mm SHCS | | |
| * S04 D05 VA AB M | 81 | (5) -014 | (4) ISO 6H M6-1.0 x 40mm SHCS | | |
| * D03 D05H VA AB | 82 | (1) -011, (6) -014, (1) -016 | (4) UNC 0.25-20 x 1.50 long SHCS | n/a | n/a |
| * D05HE D05H VA AB | 82 | (2) -011, (5) -014 | n/a | | |
| * D05H D05HE VA AB | 82 | (7) -014 | n/a | | |
| * D03 D05H VA AB M | 82 | (1) -011, (6) -014, (1) -016 | (4) ISO 6H M6-1.0 x 35mm SHCS | n/a | n/a |
| * D05HE D05H VA AB M | 82 | (2) -011, (5) -014 | n/a | | |
| * D05H D05HE VA AB M | 82 | (7) -014 | n/a | | |
| * I06 D05H RVA | 83 | (1) -011, (6) -014, (1) -016 | (4) UNC 0.25-20 x 1.50 long SHCS | n/a | (1) 0.25 NPTF LSPP |
| * P06 D05H RVA | 83 | (1) -011, (6) -014, (1) -016 | (4) UNC 0.25-20 x 1.50 long SHCS | | |
| * I06 D05H RVA M | 83 | (1) -011, (6) -014, (1) -016 | (4) ISO 6H M6-1.0 x 40mm SHCS | n/a | n/a |
| * P06 D05H RVA M | 83 | (1) -011, (6) -014, (1) -016 | (4) ISO 6H M6-1.0 x 40mm SHCS | | |
| * D03 D06 VA AB | 84 | (5) -018 | (4) UNC 0.38-16 x 1.25 long SHCS | n/a | n/a |
| * D05 D06 VA AB | 84 | (5) -018 | (4) UNC 0.38-16 x 1.25 long SHCS | | |
| * D05H D06H VA AB | 84 | (7) -018 | (4) UNC 0.38-16 x 2.00 long SHCS | | |
| * D03 D07 VA AB | 85 | (2) -011, (4) -210 | (2) UNC 0.25-20 x 1.25 long and (4) UNC 0.38-16 x 1.25 long SHCS | (2) 0.12 dia x 0.25 long | n/a |
| * D05 D07 VA AB | 85 | (2) -011, (4) -210 | (4) UNC 0.38-16 x 1.25 long SHCS | | |
| * D05H D07 VA AB | 85 | (2) -011, (4) -210 | (4) UNC 0.38-16 x 1.25 long SHCS | | |
| * D05HE D07 VA AB | 85 | (3) -011, (1) -014, (4) -210 | (2) UNC 0.25-20 x 1.50 long and (4) UNC 0.38-16 x 1.50 long SHCS | | |
| * D08 D07 VA AB | 86 | (2) -011, (4) -210 | (2) UNC 0.25-20 x 3.00 long and (4) UNC 0.38-16 x 3.00 long SHCS | | |
| * D03 D07 VA AB M | 85 | (2) -011, (4) -210 | (2) ISO 6H M6-1.0 x 35mm and (4) ISO 6H M10-1.5 x 35mm SHCS | (2) 0.12 dia x 0.25 long | n/a |
| * D05 D07 VA AB M | 85 | (2) -011, (4) -210 | (4) ISO 6H M10-1.5 x 35mm SHCS | | |
| * D05H D07 VA AB M | 85 | (2) -011, (4) -210 | (4) ISO 6H M10-1.5 x 35mm SHCS | | |
| * D05HE D07 VA AB M | 85 | (3) -011, (1) -014, (4) -210 | (2) ISO 6H M6-1.0 x 40mm and (4) ISO 6H M10-1.5 x 40mm SHCS | | |
| * D08 D07 VA AB M | 86 | (2) -011, (4) -210 | (2) ISO 6H M6-1.0 x 75mm and (4) ISO 6H M10-1.5 x 75mm SHCS | | |

Valve Adaptor Mounting Hardware

| Part no. | Cat. pg. | Viton O-rings 75 durometer | Mounting Screws | Locating Pins | Plugs |
|---------------------|----------|-------------------------------|----------------------------------|-----------------------------|--------------------|
| * D03 D08 VA AB | 87 | (2) -210, (4) -215 | (6) UNC 0.50-13 x 1.50 long SHCS | (2) 0.25 dia x 0.50 long | n/a |
| * D05 D08 VA AB | 87 | (2) -210, (4) -215 | (6) UNC 0.50-13 x 1.50 long SHCS | | |
| * D05H D08 VA AB | 87 | (2) -210, (4) -215 | (4) UNC 0.50-13 x 2.00 long SHCS | | |
| * D05HE D08 VA AB | 87 | (2) -210, (4) -215 | (6) UNC 0.50-13 x 1.50 long SHCS | | |
| * D06 D08 VA AB | 88 | (2) -210, (4) -215 | (4) UNC 0.50-13 x 2.00 long SHCS | | |
| * D07 D08 VA AB | 88 | (2) -210, (4) -215 | (4) UNC 0.50-13 x 1.50 long SHCS | | |
| * D03 D08 VA AB M | 87 | (2) -210, (4) -215 | (6) ISO 6H M12-1.75 x 40mm SHCS | | |
| * D05 D08 VA AB M | 87 | (2) -210, (4) -215 | (6) ISO 6H M12-1.75 x 40mm SHCS | | |
| * D05H D08 VA AB M | 87 | (2) -210, (4) -215 | (4) ISO 6H M12-1.75 x 50mm SHCS | | |
| * D05HE D08 VA AB M | 87 | (2) -210, (4) -215 | (6) ISO 6H M12-1.75 x 40mm SHCS | | |
| * D06 D08 VA AB M | 88 | (2) -210, (4) -215 | (4) ISO 6H M12-1.75 x 50mm SHCS | | |
| * D07 D08 VA AB M | 88 | (2) -210, (4) -215 | (4) ISO 6H M12-1.75 x 40mm SHCS | | |
| * I08 D08 RVA | 89 | (2) -210, (4) -215 | (6) UNC 0.50-13 x 2.00 long SHCS | (2) 0.25 dia x 0.50 long | (1) 0.25 NPTF LSPP |
| * P08 D08 RVA | 89 | (2) -210, (4) -215 | (6) UNC 0.50-13 x 2.00 long SHCS | (2) 0.25 dia x 0.50 long | n/a |
| * R08 D08 RVA | 89 | (2) -210, (4) -215 | (6) UNC 0.50-13 x 2.00 long SHCS | (2) 0.25 dia x 0.50 long | (1) 0.25 NPTF LSPP |
| * I08 D08 RVA M | 89 | (2) -210, (4) -215 | (6) ISO 6H M12-1.75 x 50mm SHCS | (2) 0.25 dia x 0.50 long | n/a |
| * P08 D08 RVA M | 89 | (2) -210, (4) -215 | (6) ISO 6H M12-1.75 x 50mm SHCS | (2) 0.25 dia x 0.50 long | |
| * R08 D08 RVA M | 89 | (2) -210, (4) -215 | (6) ISO 6H M12-1.75 x 50mm SHCS | (2) 0.25 dia x 0.50 long | |
| * D07 D10 VA AB | 90 | (2) -210, (4) -222 | (6) UNC 0.75-10 x 3.00 SHCS | (2) 0.25 dia x 0.50 long | n/a |
| * D08 D10 VA AB | 90 | (2) -210, (4) -222 | (6) UNC 0.75-10 x 3.00 SHCS | (2) 0.25 dia x 0.50 long | |
| * D07 D10 VA AB M | 90 | (2) -210, (4) -222 | (6) ISO 6H M20-2.5 x 80mm SHCS | (2) 0.25 dia x 0.50 long | n/a |
| * D08 D10 VA AB M | 90 | (2) -210, (4) -222 | (6) ISO 6H M20-2.5 x 80mm SHCS | (2) 0.25 dia x 0.50 long | |
| * D03 S04 VA BA | 91 | (4) -013 | (4) UNC 0.31-18 x 1.00 long SHCS | (2) 0.09 dia x 0.25 long | n/a |
| * D05 S04 VA AB | 91 | (4) -013 | (4) UNC 0.31-18 x 1.50 long SHCS | (2) 0.09 dia x 0.25 long | |
| * D03 S04 VA BA M | 91 | (4) -013 | (4) ISO 6H M8-1.25 x 25mm SHCS | (2) 0.09 dia x 0.25 long | n/a |
| * D05 S04 VA AB M | 91 | (4) -013 | (4) ISO 6H M8-1.25 x 40mm SHCS | (2) 0.09 dia x 0.25 long | |
| * D03 01Q VA AB | 92 | (4) -012 | (4) UNC #10-24 x 1.00 long SHCS | (1) 0.12 dia x 0.25 long | n/a |
| * D03 01S VA AB | 92 | (4) -012 | (4) UNC 0.25-20 x 1.25 long SHCS | (1) 0.12 dia x 0.25 long | |
| * D03 D1B VA AB | 92 | (4) -010 | (4) UNF #10-32 x 1.00 long SHCS | n/a | |
| * D03 D1D04 VA AB | 93 | (6) -013 | (4) UNC 0.25-20 x 1.50 long SHCS | n/a | n/a |
| * D03 D1L VA AB | 93 | (4) -008 | (4) UNC #10-24 x 1.75 long SHCS | n/a | |
| * D03 DG4M4 VA BA | 93 | (4) -011 | (2) UNC 0.25-20 x 1.50 long SHCS | (1) 0.12 dia x 0.25 long | |
| * D03 R8143 VA AB | 94 | (4) -016 | (4) UNC 0.38-16 x 1.00 long SHCS | n/a | n/a |
| * D03 RVT65 VA AB | 94 | (4) -012 | n/a | n/a | |
| * D03 WE5 VA AB | 94 | (4) -010 | (4) UNC #10-24 x 1.75 long SHCS | n/a | |
| * D05 D06 VA AB | 95 | (5) -018 | (4) UNC 0.38-16 x 1.25 long SHCS | n/a | n/a |
| * D05 D1D04 VA AB | 95 | (6) -013 | n/a | n/a | |
| * D05 DD063 VA AB | 95 | (4) -210 | (4) UNC 0.50-13 x 1.50 long SHCS | n/a | |
| * D08 D1D12 VA AB | 96 | (2) -210, (4) -215 | (2) UNC 0.31-18 x 1.00 long SHCS | (2) 0.25 dia x 0.50 long | n/a |
| * D08 D2D06 VA AB | 96 | (4) -210 | (4) UNC 0.50-13 x 3.00 long SHCS | n/a | |
| * D10 D1D24 VA AB | 97 | (2) -210, (4) -222 | (2) UNC 0.50-13 x 1.50 long SHCS | (2) 0.25 dia x 0.50 long | |



Hydraulic Valve Manifolds Better System Design Begins with a Manifold.

SUBPLATES

| | |
|-------------------|---------------|
| D02 Subplates | Page 101 |
| D03 Subplates | Pages 102-105 |
| D05 Subplates | Pages 106-112 |
| D07 Subplates | Pages 113-114 |
| D08 Subplates | Pages 115-116 |
| D10 Subplates | Page 117 |
| 2F06 Subplates | Page 118 |
| 2F07 Subplates | Page 118 |
| P06 Subplates | Page 119 |
| P08 Subplates | Page 119 |
| P10 Subplates | Page 119 |
| R06 Subplates | Page 120 |
| R08 Subplates | Page 120 |
| R10 Subplates | Page 120 |
| I08 Subplates | Page 120 |
| I10 Subplates | Page 120 |
| Mounting Hardware | Pages 121-123 |

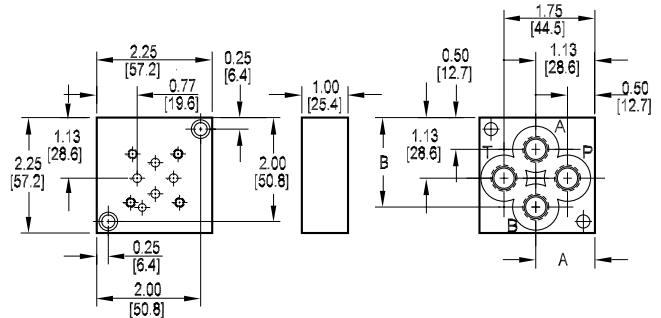
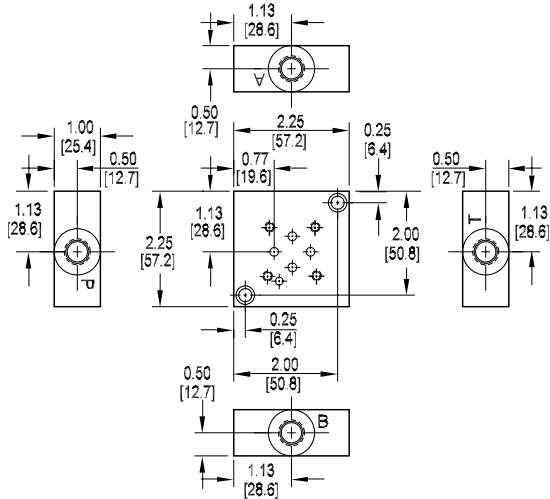
D02 Subplates

Side Ported Subplate

Valve mtg: UNC #10-24 x 0.56 DP or
Metric M5-0.8mm ISO 6H x [14] DP
Subplate hardware kit is supplied.
See page 121 for itemized list.

Back Ported Subplate

Valve mtg: UNC #10-24 x 0.56 DP or
Metric M5-0.8mm ISO 6H x [14] DP
Subplate mounting hardware is supplied.
See page 121 for itemized list.



| Dimension | A | B |
|-----------|-------------|-------------|
| *D02SPB4P | 1.22 [31.0] | 1.88 [47.6] |
| *D02SPB4T | 1.22 [31.0] | 1.88 [47.6] |
| *D02SPB4S | 1.13 [28.6] | 1.75 [44.5] |
| *D02SPB4B | 1.13 [28.6] | 1.75 [44.5] |
| *D02SPB4M | 1.13 [28.6] | 1.75 [44.5] |

Specifications, descriptions, and dimensional data are subject to correction or change without notice or incurring obligation. Download latest catalog page revisions at www.damanifolds.com.

Ordering Information



| Material | |
|---|--|
| A | Aluminum - 6061-T6 3000† psi • 20.7 MPa |
| D | Ductile Iron - D4512 5000† psi • 34.5 MPa |
| † Working pressure should be considered in accordance with ISO 4413 to determine appropriate material type. | |

| Product Type | |
|--------------|----------|
| SP | Subplate |

| Port Location | |
|---------------|-------------|
| S | Side ported |
| B | Back Ported |

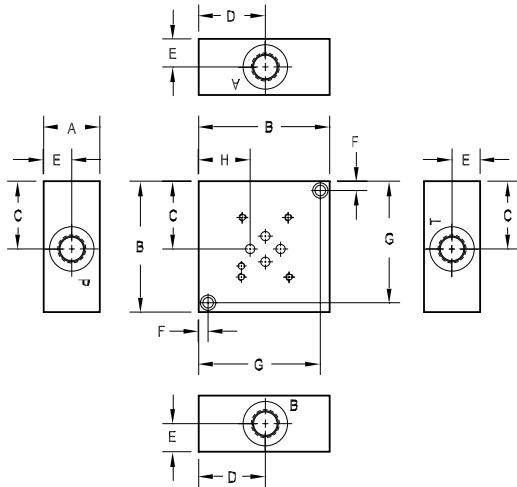
| Port Threads | |
|--------------|-----------------------------------|
| 4P | 0.25-18 NPTF ANSI B1.20.3 |
| 4S | -4 SAE ISO 11926; SAE 1926 |
| 4B | 0.25-19 BSPP ISO 1179; BS 2779 |
| 4M | M10 x 1.0 ISO 6149 |
| 4T | 0.25-19 BSPT ISO 7; BS 21 |

| Valve Pattern | |
|---------------|--|
| D02 | ISO 4401-02-01 NFFPA T3.5.1-D02 See Tech Information |

D03 Subplates

Side Ported Subplate

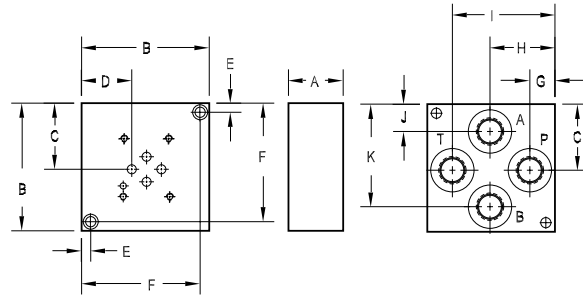
Valve mtg: UNC #10-24 x 0.63 DP or
Metric M5-0.8mm ISO 6H x [16] DP
Subplate hardware kit is supplied.
See page 121 for itemized list.



| A | B | C | D | E | F | G | H |
|----------------|-----------------|----------------|----------------|----------------|---------------|----------------|----------------|
| 1.00 [25.4] | 2.50 [63.5] | 1.31 [33.3] | 1.25 [31.8] | 0.50 [12.7] | 0.25 [6.4] | 2.25 [57.2] | 0.88 [22.4] |
| 1.50 [38.1] | 3.50 [88.9] | 1.81 [46.0] | 1.78 [45.2] | 0.75 [19.1] | 0.25 [6.4] | 3.25 [82.6] | 1.38 [34.9] |
| 1.75 [44.5] | 4.00 [101.6] | 2.06 [52.4] | 2.03 [51.6] | 0.88 [22.2] | 0.38 [9.5] | 3.63 [92.1] | 1.63 [41.3] |

Back Ported Subplate

Valve mtg: UNC #10-24 x 0.63 DP or
Metric M5-0.8mm ISO 6H x [16] DP
Subplate hardware kit is supplied.
See page 121 for itemized list.



| Dimension | A | B | C | D | E | F | G | H | I | J | K |
|-------------------|----------------|-----------------|----------------|----------------|---------------|-----------------|----------------|----------------|----------------|----------------|----------------|
| *D03SPB4P | 1.00 [25.4] | 2.50 [63.5] | 1.31 [33.3] | 0.88 [22.4] | 0.25 [6.4] | 2.25 [57.2] | 0.66 [16.7] | 1.28 [32.5] | 1.91 [48.4] | 0.75 [19.1] | 1.88 [47.6] |
| *D03SPB6B | 1.00 [25.4] | 2.50 [63.5] | 1.25 [31.8] | 0.84 [21.4] | 0.25 [6.4] | 2.25 [57.2] | 0.51 [13.0] | 1.25 [31.8] | 1.98 [50.4] | 0.52 [13.2] | 1.97 [50.0] |
| *D03SPB6[M,P,S,T] | 1.00 [25.4] | 2.50 [63.5] | 1.31 [33.3] | 0.88 [22.4] | 0.25 [6.4] | 2.25 [57.2] | 0.59 [15.1] | 1.28 [32.5] | 1.97 [50.0] | 0.69 [17.5] | 1.94 [49.2] |
| *D03SPB8* | 1.50 [38.1] | 3.50 [88.9] | 1.81 [46.0] | 1.38 [34.9] | 0.25 [6.4] | 3.25 [82.6] | 0.69 [17.5] | 1.78 [45.2] | 2.81 [71.4] | 0.75 [19.1] | 2.81 [71.4] |
| *D03SPB12* | 1.50 [38.1] | 4.50 [114.3] | 2.31 [58.8] | 1.88 [47.6] | 0.38 [9.5] | 4.13 [104.8] | 0.94 [23.8] | 2.28 [57.9] | 3.56 [90.5] | 0.94 [23.8] | 3.56 [90.5] |

Specifications, descriptions, and dimensional data are subject to correction or change without notice or incurring obligation. Download latest catalog page revisions at www.damanifolds.com.

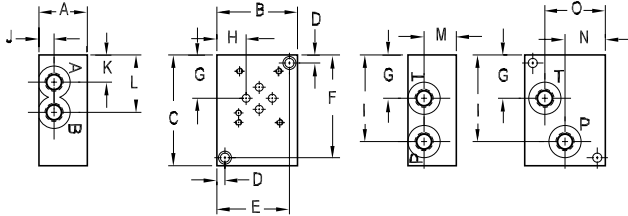
Ordering Information

| Material | Valve Pattern | Product Type | Port Location | Port Threads | | | | | | | | | | | | | | | | | | | | | | | | | | | | | | | | | | | | | | | | | | | | | | | | | | | | | | | | | | | | | | | | |
|--|--|--------------|--------------------------------------|--|--------------------------------------|--|---|--|--|---------------|--|------------|--|--|--------------|--|-----------|----------|---|---------------|--|----------|-------------|----------|-------------|---|--------------|--|--|--|--|--|-----------|------------------------------|--|--|--|--|-----------|------------------------------|-----------|------------------------------|------------|------------------------------|-----------|----------------------------------|-----------|----------------------------------|------------|-----------------------------------|-----------|--------------------------------------|-----------|--------------------------------------|------------|--------------------------------------|-----------|-----------------------|-----------|-----------------------|------------|-----------------------|-----------|------------------------------|-----------|------------------------------|------------|------------------------------|
| <table border="1" style="width: 100%; border-collapse: collapse;"> <thead> <tr> <th colspan="2">Material</th> </tr> </thead> <tbody> <tr> <td style="width: 10%; text-align: center;">A</td> <td>Aluminum - 6061-T6 3000† psi • 20.7 MPa</td> </tr> <tr> <td style="text-align: center;">D</td> <td>Ductile Iron - D4512 5000† psi • 34.5 MPa</td> </tr> <tr> <td colspan="2">† Working pressure should be considered in accordance with ISO 4413 to determine appropriate material type.</td> </tr> </tbody> </table> | Material | | A | Aluminum - 6061-T6 3000† psi • 20.7 MPa | D | Ductile Iron - D4512 5000† psi • 34.5 MPa | † Working pressure should be considered in accordance with ISO 4413 to determine appropriate material type. | | <table border="1" style="width: 100%; border-collapse: collapse;"> <thead> <tr> <th colspan="2">Valve Pattern</th> </tr> </thead> <tbody> <tr> <td style="width: 10%; text-align: center;">D03</td> <td>ISO 4401-03-02 NFFPA T3.5.1-D03 See Tech Information</td> </tr> </tbody> </table> | Valve Pattern | | D03 | ISO 4401-03-02 NFFPA T3.5.1-D03 See Tech Information | <table border="1" style="width: 100%; border-collapse: collapse;"> <thead> <tr> <th colspan="2">Product Type</th> </tr> </thead> <tbody> <tr> <td style="width: 10%; text-align: center;">SP</td> <td>Subplate</td> </tr> </tbody> </table> | Product Type | | SP | Subplate | <table border="1" style="width: 100%; border-collapse: collapse;"> <thead> <tr> <th colspan="2">Port Location</th> </tr> </thead> <tbody> <tr> <td style="width: 10%; text-align: center;">S</td> <td>Side ported</td> </tr> <tr> <td style="text-align: center;">B</td> <td>Back Ported</td> </tr> </tbody> </table> | Port Location | | S | Side ported | B | Back Ported | <table border="1" style="width: 100%; border-collapse: collapse;"> <thead> <tr> <th colspan="6">Port Threads</th> </tr> </thead> <tbody> <tr> <td style="width: 10%; text-align: center;">4P</td> <td style="width: 15%;">0.25-18 NPTF ANSI B1.20.3</td> <td style="width: 10%;"></td> <td style="width: 15%;"></td> <td style="width: 10%;"></td> <td style="width: 10%;"></td> </tr> <tr> <td style="text-align: center;">6P</td> <td>0.38-18 NPTF ANSI B1.20.3</td> <td style="text-align: center;">8P</td> <td>0.50-14 NPTF ANSI B1.20.3</td> <td style="text-align: center;">12P</td> <td>0.75-14 NPTF ANSI B1.20.3</td> </tr> <tr> <td style="text-align: center;">6S</td> <td>-6 SAE ISO 11926; SAE 1926</td> <td style="text-align: center;">8S</td> <td>-8 SAE ISO 11926; SAE 1926</td> <td style="text-align: center;">12S</td> <td>-12 SAE ISO 11926; SAE 1926</td> </tr> <tr> <td style="text-align: center;">6B</td> <td>0.38-19 BSPP ISO 1179; BS 2779</td> <td style="text-align: center;">8B</td> <td>0.50-14 BSPP ISO 1179; BS 2779</td> <td style="text-align: center;">12B</td> <td>0.75-14 BSPP ISO 1179; BS 2779</td> </tr> <tr> <td style="text-align: center;">6M</td> <td>M14 x 1.5 ISO 6149</td> <td style="text-align: center;">8M</td> <td>M18 x 1.5 ISO 6149</td> <td style="text-align: center;">12M</td> <td>M27 x 2.0 ISO 6149</td> </tr> <tr> <td style="text-align: center;">6T</td> <td>0.38-19 BSPT ISO 7; BS 21</td> <td style="text-align: center;">8T</td> <td>0.50-14 BSPT ISO 7; BS 21</td> <td style="text-align: center;">12T</td> <td>0.75-14 BSPT ISO 7; BS 21</td> </tr> </tbody> </table> | Port Threads | | | | | | 4P | 0.25-18 NPTF ANSI B1.20.3 | | | | | 6P | 0.38-18 NPTF ANSI B1.20.3 | 8P | 0.50-14 NPTF ANSI B1.20.3 | 12P | 0.75-14 NPTF ANSI B1.20.3 | 6S | -6 SAE ISO 11926; SAE 1926 | 8S | -8 SAE ISO 11926; SAE 1926 | 12S | -12 SAE ISO 11926; SAE 1926 | 6B | 0.38-19 BSPP ISO 1179; BS 2779 | 8B | 0.50-14 BSPP ISO 1179; BS 2779 | 12B | 0.75-14 BSPP ISO 1179; BS 2779 | 6M | M14 x 1.5 ISO 6149 | 8M | M18 x 1.5 ISO 6149 | 12M | M27 x 2.0 ISO 6149 | 6T | 0.38-19 BSPT ISO 7; BS 21 | 8T | 0.50-14 BSPT ISO 7; BS 21 | 12T | 0.75-14 BSPT ISO 7; BS 21 |
| Material | | | | | | | | | | | | | | | | | | | | | | | | | | | | | | | | | | | | | | | | | | | | | | | | | | | | | | | | | | | | | | | | | | | | |
| A | Aluminum - 6061-T6 3000† psi • 20.7 MPa | | | | | | | | | | | | | | | | | | | | | | | | | | | | | | | | | | | | | | | | | | | | | | | | | | | | | | | | | | | | | | | | | | | |
| D | Ductile Iron - D4512 5000† psi • 34.5 MPa | | | | | | | | | | | | | | | | | | | | | | | | | | | | | | | | | | | | | | | | | | | | | | | | | | | | | | | | | | | | | | | | | | | |
| † Working pressure should be considered in accordance with ISO 4413 to determine appropriate material type. | | | | | | | | | | | | | | | | | | | | | | | | | | | | | | | | | | | | | | | | | | | | | | | | | | | | | | | | | | | | | | | | | | | | |
| Valve Pattern | | | | | | | | | | | | | | | | | | | | | | | | | | | | | | | | | | | | | | | | | | | | | | | | | | | | | | | | | | | | | | | | | | | | |
| D03 | ISO 4401-03-02 NFFPA T3.5.1-D03 See Tech Information | | | | | | | | | | | | | | | | | | | | | | | | | | | | | | | | | | | | | | | | | | | | | | | | | | | | | | | | | | | | | | | | | | | |
| Product Type | | | | | | | | | | | | | | | | | | | | | | | | | | | | | | | | | | | | | | | | | | | | | | | | | | | | | | | | | | | | | | | | | | | | |
| SP | Subplate | | | | | | | | | | | | | | | | | | | | | | | | | | | | | | | | | | | | | | | | | | | | | | | | | | | | | | | | | | | | | | | | | | | |
| Port Location | | | | | | | | | | | | | | | | | | | | | | | | | | | | | | | | | | | | | | | | | | | | | | | | | | | | | | | | | | | | | | | | | | | | |
| S | Side ported | | | | | | | | | | | | | | | | | | | | | | | | | | | | | | | | | | | | | | | | | | | | | | | | | | | | | | | | | | | | | | | | | | | |
| B | Back Ported | | | | | | | | | | | | | | | | | | | | | | | | | | | | | | | | | | | | | | | | | | | | | | | | | | | | | | | | | | | | | | | | | | | |
| Port Threads | | | | | | | | | | | | | | | | | | | | | | | | | | | | | | | | | | | | | | | | | | | | | | | | | | | | | | | | | | | | | | | | | | | | |
| 4P | 0.25-18 NPTF ANSI B1.20.3 | | | | | | | | | | | | | | | | | | | | | | | | | | | | | | | | | | | | | | | | | | | | | | | | | | | | | | | | | | | | | | | | | | | |
| 6P | 0.38-18 NPTF ANSI B1.20.3 | 8P | 0.50-14 NPTF ANSI B1.20.3 | 12P | 0.75-14 NPTF ANSI B1.20.3 | | | | | | | | | | | | | | | | | | | | | | | | | | | | | | | | | | | | | | | | | | | | | | | | | | | | | | | | | | | | | | | |
| 6S | -6 SAE ISO 11926; SAE 1926 | 8S | -8 SAE ISO 11926; SAE 1926 | 12S | -12 SAE ISO 11926; SAE 1926 | | | | | | | | | | | | | | | | | | | | | | | | | | | | | | | | | | | | | | | | | | | | | | | | | | | | | | | | | | | | | | | |
| 6B | 0.38-19 BSPP ISO 1179; BS 2779 | 8B | 0.50-14 BSPP ISO 1179; BS 2779 | 12B | 0.75-14 BSPP ISO 1179; BS 2779 | | | | | | | | | | | | | | | | | | | | | | | | | | | | | | | | | | | | | | | | | | | | | | | | | | | | | | | | | | | | | | | |
| 6M | M14 x 1.5 ISO 6149 | 8M | M18 x 1.5 ISO 6149 | 12M | M27 x 2.0 ISO 6149 | | | | | | | | | | | | | | | | | | | | | | | | | | | | | | | | | | | | | | | | | | | | | | | | | | | | | | | | | | | | | | | |
| 6T | 0.38-19 BSPT ISO 7; BS 21 | 8T | 0.50-14 BSPT ISO 7; BS 21 | 12T | 0.75-14 BSPT ISO 7; BS 21 | | | | | | | | | | | | | | | | | | | | | | | | | | | | | | | | | | | | | | | | | | | | | | | | | | | | | | | | | | | | | | | |

D03 Subplates

Dual Ported Subplate

Valve mtg: UNC #10-24 x 0.50 DP or
Metric M5-0.8mm ISO 6H x [12.7] DP
Subplate hardware kit is supplied.
See page 121 for itemized list.

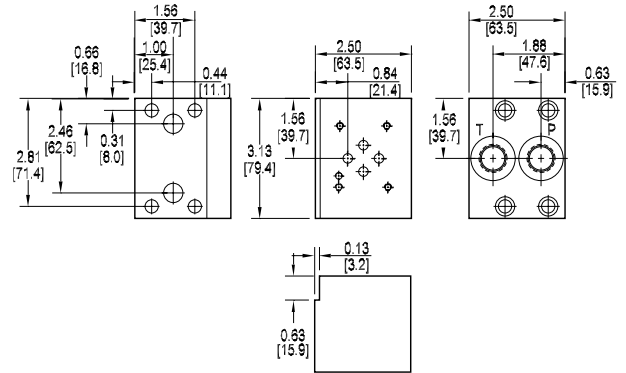


| Dimension | A | B | C | D | E | F | G | H |
|------------|----------------|----------------|----------------|---------------|----------------|----------------|----------------|----------------|
| *D03SPSB6* | 1.50 [38.1] | 2.50 [63.5] | 3.44 [87.4] | 0.25 [6.4] | 2.25 [57.2] | 3.19 [81.0] | 1.34 [34.0] | 0.91 [23.1] |
| *D03SPSB8* | 2.00 [50.8] | 2.75 [69.9] | 3.75 [95.3] | 0.25 [6.4] | 2.50 [63.5] | 3.50 [88.9] | 1.34 [34.0] | 0.91 [23.1] |

| Dimension | I | J | K | L | M | N | O |
|--------------------|----------------|----------------|----------------|----------------|----------------|----------------|----------------|
| *D03SPSB6B | 2.69 [68.3] | 0.50 [12.7] | 0.72 [18.3] | 1.78 [45.2] | 1.00 [25.4] | 1.25 [31.8] | 1.88 [47.8] |
| *D03SPSB6[M,P,S,T] | 2.69 [68.3] | 0.47 [11.9] | 0.84 [21.4] | 1.78 [45.2] | 1.00 [25.4] | 1.25 [31.8] | 1.88 [47.8] |
| *D03SPSB8B | 3.00 [76.2] | 0.88 [22.2] | 0.69 [17.5] | 1.97 [50.0] | 1.38 [34.9] | 1.44 [36.5] | 1.94 [49.2] |
| *D03SPSB8[M,P,S,T] | 3.00 [76.2] | 0.88 [22.2] | 0.69 [17.5] | 1.94 [49.2] | 1.38 [34.9] | 1.44 [36.5] | 1.94 [49.2] |

Motor Mounted Subplate

Available with NPTF or SAE ports only.
Valve mtg: UNC #10-24 x 0.63 DP
Subplate hardware kit is supplied.
See page 121 for itemized list.



Specifications, descriptions, and dimensional data are subject to correction or change without notice or incurring obligation. Download latest catalog page revisions at www.damanifolds.com.

Ordering Information



| Material | |
|----------|--|
| A | Aluminum - 6061-T6 3000† psi • 20.7 MPa |
| D | Ductile Iron - D4512 5000† psi • 34.5 MPa |

† Working pressure should be considered in accordance with ISO 4413 to determine appropriate material type.

| Product Type | |
|--------------|----------|
| SP | Subplate |

| Port Location | |
|---------------|--|
| SB | Side P,A,B,T ports Back P & T ports |
| M | Motor mounting 8P or 8S ports only |

| Valve Pattern | |
|---------------|--|
| D03 | ISO 4401-03-02 NFFPA T3.5.1-D03 See Tech Information |

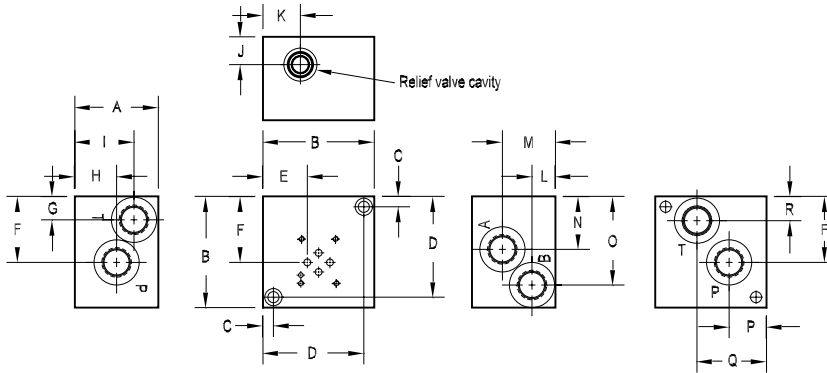
| Port Threads | | | |
|-----------------------|-----------------------------------|-----------------------|-----------------------------------|
| Port location SB only | | Port location SB or M | |
| 6P | 0.38-18 NPTF ANSI B1.20.3 | 8P | 0.50-14 NPTF ANSI B1.20.3 |
| 6S | -6 SAE ISO 11926; SAE 1926 | 8S | -8 SAE ISO 11926; SAE 1926 |
| 6B | 0.38-19 BSPP ISO 1179; BS 2779 | Port location SB only | |
| 6M | M14 x 1.5 ISO 6149 | 8B | 0.50-14 BSPP ISO 1179; BS 2779 |
| 6T | 0.38-19 BSPT ISO 7; BS 21 | 8M | M18 x 1.5 ISO 6149 |
| | | 8T | 0.50-14 BSPT ISO 7; BS 21 |

D03 Subplates with Relief Cavity

Dual Ported Subplate with Main Relief Cavity

Valve mtg: UNC #10-24 x 0.63 DP or
Metric M5-0.8mm ISO 6H x [16] DP

Subplate hardware kit is supplied.
See page 121 for itemized list.



| Dimension | A | B | C | D | E | F | G | H | I | J | K | L | M | N | O | P | Q | R |
|--------------|----------------|-----------------|---------------|----------------|----------------|----------------|----------------|----------------|----------------|----------------|----------------|----------------|----------------|----------------|----------------|----------------|----------------|----------------|
| *D03SPRV*6* | 2.25 [57.2] | 3.00 [76.2] | 0.31 [7.9] | 2.69 [68.3] | 0.97 [24.6] | 2.00 [50.8] | 0.69 [17.5] | 1.66 [42.1] | 1.66 [42.1] | 0.88 [22.2] | 0.84 [21.3] | 0.88 [22.2] | 1.63 [41.3] | 1.53 [38.9] | 2.37 [60.2] | 0.97 [24.6] | 1.69 [42.9] | 0.69 [17.5] |
| *D03SPRV*8* | 3.00 [76.2] | 3.50 [88.9] | 0.38 [9.5] | 3.12 [79.4] | 1.34 [34.1] | 2.19 [55.6] | 0.81 [20.6] | 1.50 [38.1] | 2.00 [50.8] | 1.00 [25.4] | 1.09 [22.8] | 0.84 [21.4] | 1.91 [48.4] | 1.72 [43.6] | 2.53 [64.3] | 1.09 [22.8] | 2.25 [57.2] | 0.81 [20.6] |
| *D03SPRV*12* | 3.00 [76.2] | 4.00 [101.6] | 0.38 [9.5] | 3.63 [92.1] | 1.59 [40.5] | 2.38 [60.3] | 0.84 [21.4] | 1.50 [38.1] | 2.13 [54.0] | 1.00 [25.4] | 1.34 [34.1] | 0.84 [21.4] | 1.91 [48.4] | 1.91 [48.4] | 3.19 [81.0] | 1.34 [34.1] | 2.50 [63.5] | 0.88 [22.2] |

Specifications, descriptions, and dimensional data are subject to correction or change without notice or incurring obligation. Download latest catalog page revisions at www.damanifolds.com.

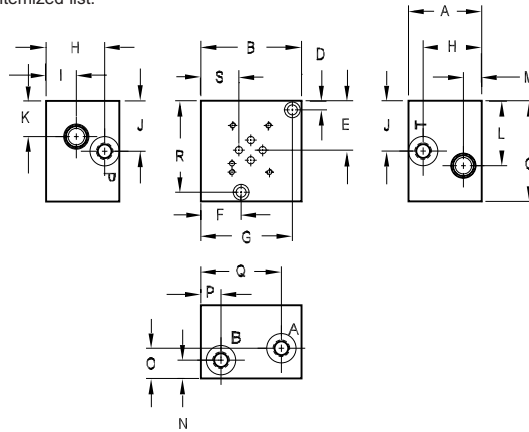
Ordering Information

| Material | Valve Pattern | Product Type | Circuit | Relief Cavity | Port Threads | | | | | | | | | | | | | | | | | | | | | | | | | | | | | | | | | | | | | | | | | | | | | | | | | | | | | | | | | | | | | | |
|---|---|--------------|--------------------------------------|--|--------------------------------------|--|--|--|---|---------------|--|------------|---|--|--------------|--|-----------|----------|---|---------|--|-----------|-----------------------|--|---------------|--|----------|-------------------------------------|----------|---|--|--------------|--|--|--|--|--|-----------|------------------------------|-----------|------------------------------|------------|------------------------------|-----------|----------------------------------|-----------|----------------------------------|------------|-----------------------------------|-----------|--------------------------------------|-----------|--------------------------------------|------------|--------------------------------------|-----------|-----------------------|-----------|-----------------------|------------|-----------------------|-----------|------------------------------|-----------|------------------------------|------------|------------------------------|
| <table border="1"> <thead> <tr> <th colspan="2">Material</th> </tr> </thead> <tbody> <tr> <td>A</td> <td>Aluminum - 6061-T6 3000[†] psi • 20.7 MPa</td> </tr> <tr> <td>D</td> <td>Ductile Iron - D4512 5000[†] psi • 34.5 MPa</td> </tr> <tr> <td colspan="2"> [†] Working pressure should be considered in accordance with ISO 4413 to determine appropriate material type. </td> </tr> </tbody> </table> | Material | | A | Aluminum - 6061-T6 3000 [†] psi • 20.7 MPa | D | Ductile Iron - D4512 5000 [†] psi • 34.5 MPa | [†] Working pressure should be considered in accordance with ISO 4413 to determine appropriate material type. | | <table border="1"> <thead> <tr> <th colspan="2">Valve Pattern</th> </tr> </thead> <tbody> <tr> <td>D03</td> <td>ISO 4401-03-02 NFPA T3.5.1-D03 See Tech Information</td> </tr> </tbody> </table> | Valve Pattern | | D03 | ISO 4401-03-02 NFPA T3.5.1-D03 See Tech Information | <table border="1"> <thead> <tr> <th colspan="2">Product Type</th> </tr> </thead> <tbody> <tr> <td>SP</td> <td>Subplate</td> </tr> </tbody> </table> | Product Type | | SP | Subplate | <table border="1"> <thead> <tr> <th colspan="2">Circuit</th> </tr> </thead> <tbody> <tr> <td>RV</td> <td>Main Relief P to T</td> </tr> </tbody> </table> | Circuit | | RV | Main Relief P to T | <table border="1"> <thead> <tr> <th colspan="2">Relief Cavity</th> </tr> </thead> <tbody> <tr> <td>C</td> <td>Common cavity C-10-2 (P in nose)</td> </tr> <tr> <td>S</td> <td>Sun Cavity T-10A (P in nose) See Tech Info for valves</td> </tr> </tbody> </table> | Relief Cavity | | C | Common cavity C-10-2 (P in nose) | S | Sun Cavity T-10A (P in nose) See Tech Info for valves | <table border="1"> <thead> <tr> <th colspan="6">Port Threads</th> </tr> </thead> <tbody> <tr> <td>6P</td> <td>0.38-18 NPTF ANSI B1.20.3</td> <td>8P</td> <td>0.50-14 NPTF ANSI B1.20.3</td> <td>12P</td> <td>0.75-14 NPTF ANSI B1.20.3</td> </tr> <tr> <td>6S</td> <td>-6 SAE ISO 11926; SAE 1926</td> <td>8S</td> <td>-8 SAE ISO 11926; SAE 1926</td> <td>12S</td> <td>-12 SAE ISO 11926; SAE 1926</td> </tr> <tr> <td>6B</td> <td>0.38-19 BSPP ISO 1179; BS 2779</td> <td>8B</td> <td>0.50-14 BSPP ISO 1179; BS 2779</td> <td>12B</td> <td>0.75-14 BSPP ISO 1179; BS 2779</td> </tr> <tr> <td>6M</td> <td>M14 x 1.5 ISO 6149</td> <td>8M</td> <td>M18 x 1.5 ISO 6149</td> <td>12M</td> <td>M27 x 2.0 ISO 6149</td> </tr> <tr> <td>6T</td> <td>0.38-19 BSPT ISO 7; BS 21</td> <td>8T</td> <td>0.50-14 BSPT ISO 7; BS 21</td> <td>12T</td> <td>0.75-14 BSPT ISO 7; BS 21</td> </tr> </tbody> </table> | Port Threads | | | | | | 6P | 0.38-18 NPTF ANSI B1.20.3 | 8P | 0.50-14 NPTF ANSI B1.20.3 | 12P | 0.75-14 NPTF ANSI B1.20.3 | 6S | -6 SAE ISO 11926; SAE 1926 | 8S | -8 SAE ISO 11926; SAE 1926 | 12S | -12 SAE ISO 11926; SAE 1926 | 6B | 0.38-19 BSPP ISO 1179; BS 2779 | 8B | 0.50-14 BSPP ISO 1179; BS 2779 | 12B | 0.75-14 BSPP ISO 1179; BS 2779 | 6M | M14 x 1.5 ISO 6149 | 8M | M18 x 1.5 ISO 6149 | 12M | M27 x 2.0 ISO 6149 | 6T | 0.38-19 BSPT ISO 7; BS 21 | 8T | 0.50-14 BSPT ISO 7; BS 21 | 12T | 0.75-14 BSPT ISO 7; BS 21 |
| Material | | | | | | | | | | | | | | | | | | | | | | | | | | | | | | | | | | | | | | | | | | | | | | | | | | | | | | | | | | | | | | | | | | | |
| A | Aluminum - 6061-T6 3000 [†] psi • 20.7 MPa | | | | | | | | | | | | | | | | | | | | | | | | | | | | | | | | | | | | | | | | | | | | | | | | | | | | | | | | | | | | | | | | | | |
| D | Ductile Iron - D4512 5000 [†] psi • 34.5 MPa | | | | | | | | | | | | | | | | | | | | | | | | | | | | | | | | | | | | | | | | | | | | | | | | | | | | | | | | | | | | | | | | | | |
| [†] Working pressure should be considered in accordance with ISO 4413 to determine appropriate material type. | | | | | | | | | | | | | | | | | | | | | | | | | | | | | | | | | | | | | | | | | | | | | | | | | | | | | | | | | | | | | | | | | | | |
| Valve Pattern | | | | | | | | | | | | | | | | | | | | | | | | | | | | | | | | | | | | | | | | | | | | | | | | | | | | | | | | | | | | | | | | | | | |
| D03 | ISO 4401-03-02 NFPA T3.5.1-D03 See Tech Information | | | | | | | | | | | | | | | | | | | | | | | | | | | | | | | | | | | | | | | | | | | | | | | | | | | | | | | | | | | | | | | | | | |
| Product Type | | | | | | | | | | | | | | | | | | | | | | | | | | | | | | | | | | | | | | | | | | | | | | | | | | | | | | | | | | | | | | | | | | | |
| SP | Subplate | | | | | | | | | | | | | | | | | | | | | | | | | | | | | | | | | | | | | | | | | | | | | | | | | | | | | | | | | | | | | | | | | | |
| Circuit | | | | | | | | | | | | | | | | | | | | | | | | | | | | | | | | | | | | | | | | | | | | | | | | | | | | | | | | | | | | | | | | | | | |
| RV | Main Relief P to T | | | | | | | | | | | | | | | | | | | | | | | | | | | | | | | | | | | | | | | | | | | | | | | | | | | | | | | | | | | | | | | | | | |
| Relief Cavity | | | | | | | | | | | | | | | | | | | | | | | | | | | | | | | | | | | | | | | | | | | | | | | | | | | | | | | | | | | | | | | | | | | |
| C | Common cavity C-10-2 (P in nose) | | | | | | | | | | | | | | | | | | | | | | | | | | | | | | | | | | | | | | | | | | | | | | | | | | | | | | | | | | | | | | | | | | |
| S | Sun Cavity T-10A (P in nose) See Tech Info for valves | | | | | | | | | | | | | | | | | | | | | | | | | | | | | | | | | | | | | | | | | | | | | | | | | | | | | | | | | | | | | | | | | | |
| Port Threads | | | | | | | | | | | | | | | | | | | | | | | | | | | | | | | | | | | | | | | | | | | | | | | | | | | | | | | | | | | | | | | | | | | |
| 6P | 0.38-18 NPTF ANSI B1.20.3 | 8P | 0.50-14 NPTF ANSI B1.20.3 | 12P | 0.75-14 NPTF ANSI B1.20.3 | | | | | | | | | | | | | | | | | | | | | | | | | | | | | | | | | | | | | | | | | | | | | | | | | | | | | | | | | | | | | | |
| 6S | -6 SAE ISO 11926; SAE 1926 | 8S | -8 SAE ISO 11926; SAE 1926 | 12S | -12 SAE ISO 11926; SAE 1926 | | | | | | | | | | | | | | | | | | | | | | | | | | | | | | | | | | | | | | | | | | | | | | | | | | | | | | | | | | | | | | |
| 6B | 0.38-19 BSPP ISO 1179; BS 2779 | 8B | 0.50-14 BSPP ISO 1179; BS 2779 | 12B | 0.75-14 BSPP ISO 1179; BS 2779 | | | | | | | | | | | | | | | | | | | | | | | | | | | | | | | | | | | | | | | | | | | | | | | | | | | | | | | | | | | | | | |
| 6M | M14 x 1.5 ISO 6149 | 8M | M18 x 1.5 ISO 6149 | 12M | M27 x 2.0 ISO 6149 | | | | | | | | | | | | | | | | | | | | | | | | | | | | | | | | | | | | | | | | | | | | | | | | | | | | | | | | | | | | | | |
| 6T | 0.38-19 BSPT ISO 7; BS 21 | 8T | 0.50-14 BSPT ISO 7; BS 21 | 12T | 0.75-14 BSPT ISO 7; BS 21 | | | | | | | | | | | | | | | | | | | | | | | | | | | | | | | | | | | | | | | | | | | | | | | | | | | | | | | | | | | | | | |

D03 Subplates with Relief Cavity

Side Ported Subplate with Cylinder Port Crossover Relief Cavities

Valve mtg: UNC #10-24 x 0.63 DP or
Metric M5-0.8mm ISO 6H x [16] DP
Subplate hardware kit is supplied.
See page 121 for itemized list.



| Dimension | A | B | C | D | E | F | G | H | I | J | K | L | M | N | O | P | Q | R | S |
|--------------|-----------------|-----------------|-----------------|---------------|----------------|----------------|----------------|----------------|----------------|----------------|----------------|----------------|----------------|----------------|----------------|----------------|-----------------|-----------------|----------------|
| *D03SPCR*6* | 2.50 [63.5] | 3.50 [88.9] | 3.50 [88.9] | 0.31 [7.9] | 1.69 [42.9] | 1.41 [35.7] | 3.19 [81.0] | 2.00 [50.8] | 1.03 [26.2] | 1.72 [43.7] | 1.22 [31.0] | 2.22 [56.4] | 0.63 [16.0] | 0.63 [16.0] | 1.03 [26.2] | 0.69 [17.5] | 2.81 [71.4] | 3.19 [81.0] | 1.33 [33.7] |
| *D03SPCR*12* | 4.00 [101.6] | 5.00 [127.0] | 4.50 [114.3] | 0.38 [9.5] | 2.00 [50.8] | 2.50 [63.5] | 2.50 [63.5] | 3.00 [76.2] | 1.25 [31.8] | 2.00 [50.8] | 1.50 [38.1] | 2.50 [63.5] | 1.00 [25.4] | 1.25 [31.8] | 1.38 [35.1] | 1.00 [25.4] | 4.00 [101.6] | 4.13 [104.8] | 2.06 [52.8] |

Specifications, descriptions, and dimensional data are subject to correction or change without notice or incurring obligation. Download latest catalog page revisions at www.damanifolds.com.

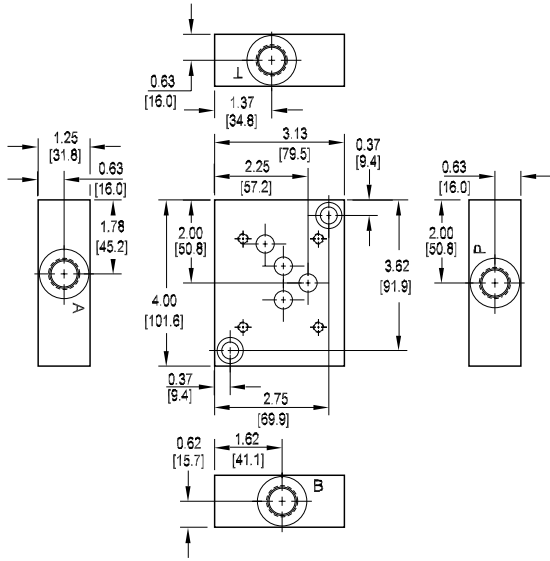
Ordering Information

| Material | Valve Pattern | Product Type | Circuit | Relief Cavity | Port Threads | | | | | | | | | | | | | | | | | | | | | | | | | | | | | | | | | | | | | | | | | | | | | | | | | | |
|--|---|--------------|--------------------------------------|--|--------------|--|---|--|--|---------------|--|------------|--|--|--------------|--|-----------|----------|--|---------|--|-----------|--|--|---------------|--|----------|-------------------------------------|----------|---|---|--------------|--|--|--|-----------|------------------------------|------------|------------------------------|-----------|----------------------------------|------------|-----------------------------------|-----------|--------------------------------------|------------|--------------------------------------|-----------|-----------------------|------------|-----------------------|-----------|------------------------------|------------|------------------------------|
| <table border="1"> <thead> <tr> <th colspan="2">Material</th> </tr> </thead> <tbody> <tr> <td>A</td> <td>Aluminum - 6061-T6 3000† psi • 20.7 MPa</td> </tr> <tr> <td>D</td> <td>Ductile Iron - D4512 5000† psi • 34.5 MPa</td> </tr> <tr> <td colspan="2">† Working pressure should be considered in accordance with ISO 4413 to determine appropriate material type.</td> </tr> </tbody> </table> | Material | | A | Aluminum - 6061-T6 3000† psi • 20.7 MPa | D | Ductile Iron - D4512 5000† psi • 34.5 MPa | † Working pressure should be considered in accordance with ISO 4413 to determine appropriate material type. | | <table border="1"> <thead> <tr> <th colspan="2">Valve Pattern</th> </tr> </thead> <tbody> <tr> <td>D03</td> <td>ISO 4401-03-02 NFFPA T3.5.1-D03 See Tech Information</td> </tr> </tbody> </table> | Valve Pattern | | D03 | ISO 4401-03-02 NFFPA T3.5.1-D03 See Tech Information | <table border="1"> <thead> <tr> <th colspan="2">Product Type</th> </tr> </thead> <tbody> <tr> <td>SP</td> <td>Subplate</td> </tr> </tbody> </table> | Product Type | | SP | Subplate | <table border="1"> <thead> <tr> <th colspan="2">Circuit</th> </tr> </thead> <tbody> <tr> <td>CR</td> <td>Crossover Reliefs A to B and B to A</td> </tr> </tbody> </table> | Circuit | | CR | Crossover Reliefs A to B and B to A | <table border="1"> <thead> <tr> <th colspan="2">Relief Cavity</th> </tr> </thead> <tbody> <tr> <td>C</td> <td>Common cavity C-10-2 (P in nose)</td> </tr> <tr> <td>S</td> <td>Sun Cavity T-10A (P in nose) See Tech Info for valves</td> </tr> </tbody> </table> | Relief Cavity | | C | Common cavity C-10-2 (P in nose) | S | Sun Cavity T-10A (P in nose) See Tech Info for valves | <table border="1"> <thead> <tr> <th colspan="4">Port Threads</th> </tr> </thead> <tbody> <tr> <td>6P</td> <td>0.38-18 NPTF ANSI B1.20.3</td> <td>12P</td> <td>0.75-14 NPTF ANSI B1.20.3</td> </tr> <tr> <td>6S</td> <td>-6 SAE ISO 11926; SAE 1926</td> <td>12S</td> <td>-12 SAE ISO 11926; SAE 1926</td> </tr> <tr> <td>6B</td> <td>0.38-19 BSPP ISO 1179; BS 2779</td> <td>12B</td> <td>0.75-14 BSPP ISO 1179; BS 2779</td> </tr> <tr> <td>6M</td> <td>M14 x 1.5 ISO 6149</td> <td>12M</td> <td>M27 x 2.0 ISO 6149</td> </tr> <tr> <td>6T</td> <td>0.38-19 BSPT ISO 7; BS 21</td> <td>12T</td> <td>0.75-14 BSPT ISO 7; BS 21</td> </tr> </tbody> </table> | Port Threads | | | | 6P | 0.38-18 NPTF ANSI B1.20.3 | 12P | 0.75-14 NPTF ANSI B1.20.3 | 6S | -6 SAE ISO 11926; SAE 1926 | 12S | -12 SAE ISO 11926; SAE 1926 | 6B | 0.38-19 BSPP ISO 1179; BS 2779 | 12B | 0.75-14 BSPP ISO 1179; BS 2779 | 6M | M14 x 1.5 ISO 6149 | 12M | M27 x 2.0 ISO 6149 | 6T | 0.38-19 BSPT ISO 7; BS 21 | 12T | 0.75-14 BSPT ISO 7; BS 21 |
| Material | | | | | | | | | | | | | | | | | | | | | | | | | | | | | | | | | | | | | | | | | | | | | | | | | | | | | | | |
| A | Aluminum - 6061-T6 3000† psi • 20.7 MPa | | | | | | | | | | | | | | | | | | | | | | | | | | | | | | | | | | | | | | | | | | | | | | | | | | | | | | |
| D | Ductile Iron - D4512 5000† psi • 34.5 MPa | | | | | | | | | | | | | | | | | | | | | | | | | | | | | | | | | | | | | | | | | | | | | | | | | | | | | | |
| † Working pressure should be considered in accordance with ISO 4413 to determine appropriate material type. | | | | | | | | | | | | | | | | | | | | | | | | | | | | | | | | | | | | | | | | | | | | | | | | | | | | | | | |
| Valve Pattern | | | | | | | | | | | | | | | | | | | | | | | | | | | | | | | | | | | | | | | | | | | | | | | | | | | | | | | |
| D03 | ISO 4401-03-02 NFFPA T3.5.1-D03 See Tech Information | | | | | | | | | | | | | | | | | | | | | | | | | | | | | | | | | | | | | | | | | | | | | | | | | | | | | | |
| Product Type | | | | | | | | | | | | | | | | | | | | | | | | | | | | | | | | | | | | | | | | | | | | | | | | | | | | | | | |
| SP | Subplate | | | | | | | | | | | | | | | | | | | | | | | | | | | | | | | | | | | | | | | | | | | | | | | | | | | | | | |
| Circuit | | | | | | | | | | | | | | | | | | | | | | | | | | | | | | | | | | | | | | | | | | | | | | | | | | | | | | | |
| CR | Crossover Reliefs A to B and B to A | | | | | | | | | | | | | | | | | | | | | | | | | | | | | | | | | | | | | | | | | | | | | | | | | | | | | | |
| Relief Cavity | | | | | | | | | | | | | | | | | | | | | | | | | | | | | | | | | | | | | | | | | | | | | | | | | | | | | | | |
| C | Common cavity C-10-2 (P in nose) | | | | | | | | | | | | | | | | | | | | | | | | | | | | | | | | | | | | | | | | | | | | | | | | | | | | | | |
| S | Sun Cavity T-10A (P in nose) See Tech Info for valves | | | | | | | | | | | | | | | | | | | | | | | | | | | | | | | | | | | | | | | | | | | | | | | | | | | | | | |
| Port Threads | | | | | | | | | | | | | | | | | | | | | | | | | | | | | | | | | | | | | | | | | | | | | | | | | | | | | | | |
| 6P | 0.38-18 NPTF ANSI B1.20.3 | 12P | 0.75-14 NPTF ANSI B1.20.3 | | | | | | | | | | | | | | | | | | | | | | | | | | | | | | | | | | | | | | | | | | | | | | | | | | | | |
| 6S | -6 SAE ISO 11926; SAE 1926 | 12S | -12 SAE ISO 11926; SAE 1926 | | | | | | | | | | | | | | | | | | | | | | | | | | | | | | | | | | | | | | | | | | | | | | | | | | | | |
| 6B | 0.38-19 BSPP ISO 1179; BS 2779 | 12B | 0.75-14 BSPP ISO 1179; BS 2779 | | | | | | | | | | | | | | | | | | | | | | | | | | | | | | | | | | | | | | | | | | | | | | | | | | | | |
| 6M | M14 x 1.5 ISO 6149 | 12M | M27 x 2.0 ISO 6149 | | | | | | | | | | | | | | | | | | | | | | | | | | | | | | | | | | | | | | | | | | | | | | | | | | | | |
| 6T | 0.38-19 BSPT ISO 7; BS 21 | 12T | 0.75-14 BSPT ISO 7; BS 21 | | | | | | | | | | | | | | | | | | | | | | | | | | | | | | | | | | | | | | | | | | | | | | | | | | | | |

D05 Subplates

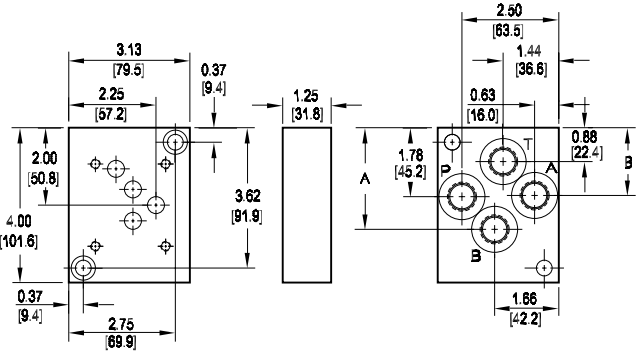
Side Ported Subplate

Valve mtg: UNC 0.25-20 x 0.75 DP or
Metric M6-1.0mm ISO 6H x [19.1] DP
Subplate hardware kit is supplied.
See page 121 for itemized list.



Back Ported Subplate

Valve mtg: UNC 0.25-20 x 0.75 DP or
Metric M6-1.0mm ISO 6H x [19.1] DP
Subplate hardware kit is supplied.
See page 121 for itemized list.



| Dimension | A | B |
|-------------------|----------------|----------------|
| *D05SPB6P | 2.63 [66.8] | 1.75 [44.5] |
| *D05SPB8B | 2.94 [74.6] | 2.00 [50.8] |
| *D05SPB8[M,P,S,T] | 2.63 [66.8] | 1.75 [44.5] |

Specifications, descriptions, and dimensional data are subject to correction or change without notice or incurring obligation. Download latest catalog page revisions at www.damanifolds.com.

Ordering Information

| Material | Valve Pattern | Product Type | Port Location | Port Threads |
|----------|---------------|--------------|---------------|--------------|
|----------|---------------|--------------|---------------|--------------|

| Material | |
|----------|--|
| A | Aluminum - 6061-T6 3000† psi • 20.7 MPa |
| D | Ductile Iron - D4512 5000† psi • 34.5 MPa |

† Working pressure should be considered in accordance with ISO 4413 to determine appropriate material type.

| Product Type | |
|--------------|----------|
| SP | Subplate |

| Port Location | |
|---------------|-------------|
| S | Side ported |
| B | Back Ported |

| Port Threads | |
|--------------|-----------------------------------|
| 6P | 0.38-18 NPTF ANSI B1.20.3 |
| 8P | 0.50-14 NPTF ANSI B1.20.3 |
| 8S | -8 SAE ISO 11926; SAE 1926 |
| 8B | 0.50-14 BSPP ISO 1179; BS 2779 |
| 8M | M18 x 1.5 ISO 6149 |
| 8T | 0.50-14 BSPT ISO 7; BS 21 |

| Valve Pattern | |
|---------------|---|
| D05 | ISO 4401-05-04 NFPA T3.5.1-D05 See Tech Information |

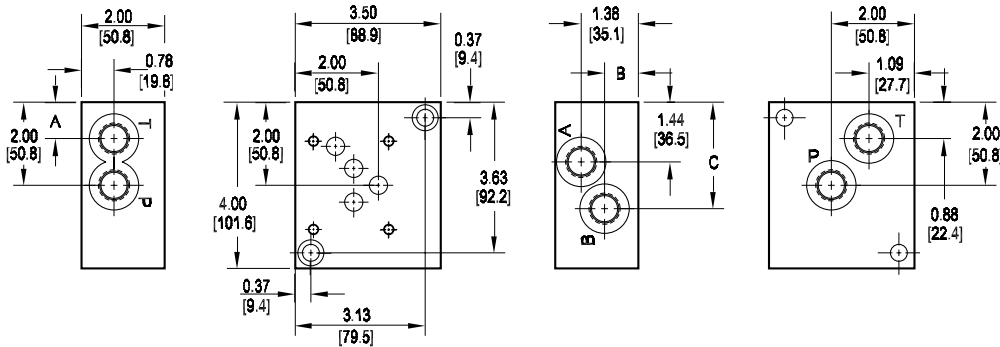
D05 Subplates

Dual Ported Subplate

Valve mtg: UNC 0.25-20 x 0.56 DP or
Metric M6-1.0mm ISO 6H x [14.2] DP

Subplate hardware kit is supplied.

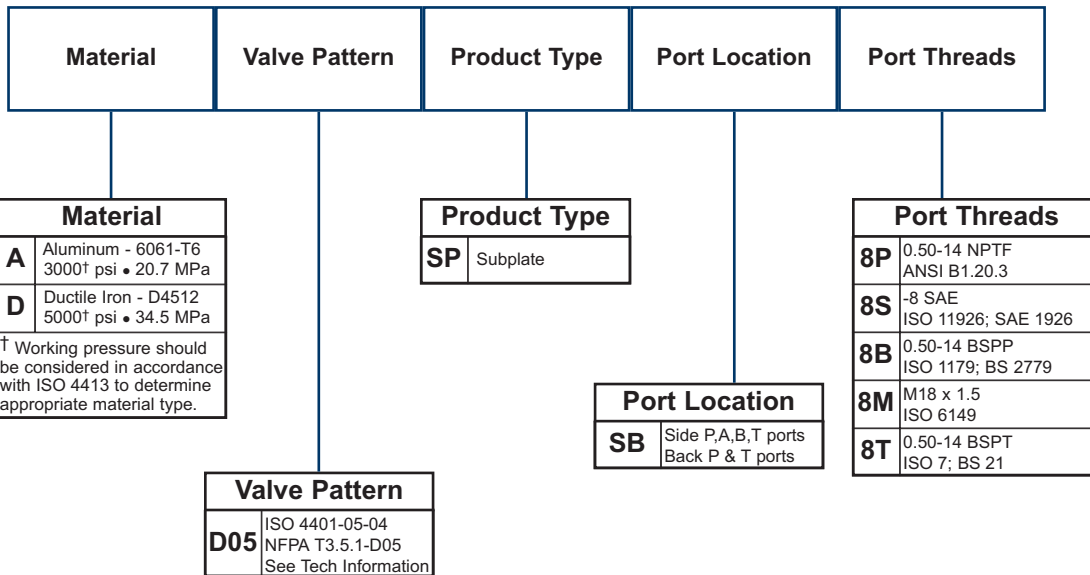
See page 121 for itemized list.



| Dimension | A | B | C |
|--------------------|----------------|----------------|----------------|
| *D05SPSB8B | 0.66 [16.7] | 0.78 [19.8] | 2.81 [71.4] |
| *D05SPSB8[M,P,S,T] | 0.88 [22.2] | 1.38 [35.1] | 2.56 [65.1] |

Specifications, descriptions, and dimensional data are subject to correction or change without notice or incurring obligation. Download latest catalog page revisions at www.damanifolds.com.

Ordering Information



| Material | |
|---|--|
| A | Aluminum - 6061-T6 3000† psi • 20.7 MPa |
| D | Ductile Iron - D4512 5000† psi • 34.5 MPa |
| † Working pressure should be considered in accordance with ISO 4413 to determine appropriate material type. | |

| Product Type | |
|--------------|----------|
| SP | Subplate |

| Port Location | |
|---------------|--|
| SB | Side P,A,B,T ports Back P & T ports |

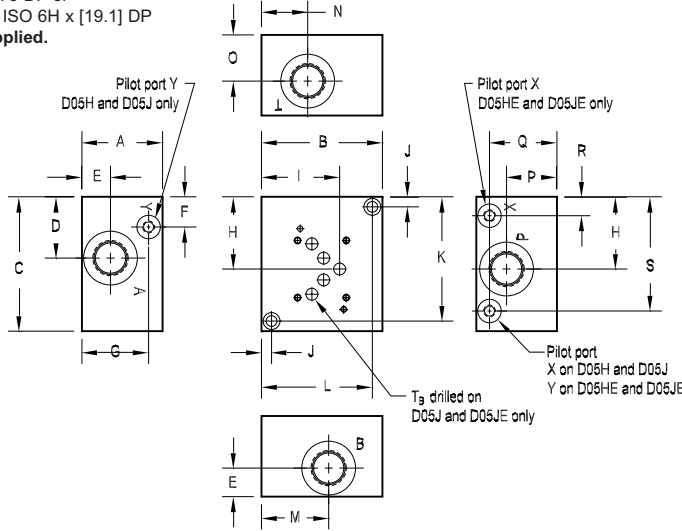
| Port Threads | |
|--------------|-----------------------------------|
| 8P | 0.50-14 NPTF ANSI B1.20.3 |
| 8S | -8 SAE ISO 11926; SAE 1926 |
| 8B | 0.50-14 BSPP ISO 1179; BS 2779 |
| 8M | M18 x 1.5 ISO 6149 |
| 8T | 0.50-14 BSPT ISO 7; BS 21 |

| Valve Pattern | |
|---------------|--|
| D05 | ISO 4401-05-04 NFFPA T3.5.1-D05 See Tech Information |

D05 High Flow Subplates with Pilot Ports

Side Ported Subplate

Valve mtg: UNC 0.25-20 x 0.75 DP or
Metric M6-1.0mm ISO 6H x [19.1] DP
Subplate hardware kit is supplied.
See page 121 for itemized list.



| Dimension | A | B | C | D | E | F | G | H | I | J | K | L | M | N | O | P | Q | R | S | | |
|--------------|----------------|-----------------|-----------------|----------------|----------------|----------------|----------------|----------------|----------------|---------------|-----------------|-----------------|----------------|----------------|----------------|----------------|----------------|----------------|-----------------|----------------|-----------------|
| *D05HSPS12* | 1.75 [44.5] | 3.75 [95.3] | 4.75 [120.7] | 2.13 [54.1] | 0.88 [22.4] | 0.81 [20.6] | 0.88 [22.4] | 2.37 [60.2] | 2.53 [64.3] | 0.38 [9.5] | 4.37 [111.0] | 3.38 [85.9] | 1.88 [47.8] | 1.88 [47.8] | 0.88 [22.4] | 0.88 [22.4] | 0.88 [22.4] | 0.88 [22.4] | 0.44 [11.2] | 1.00 [25.4] | 3.94 [100.1] |
| *D05HESPS12* | 1.75 [44.5] | 3.75 [95.3] | 4.75 [120.7] | 2.13 [54.1] | 0.88 [22.4] | -- | -- | 2.37 [60.2] | 2.53 [64.3] | 0.38 [9.5] | 4.37 [111.0] | 3.38 [85.9] | 1.88 [47.8] | 1.88 [47.8] | 0.88 [22.4] | 0.88 [22.4] | 0.44 [11.2] | 1.00 [25.4] | 3.94 [100.1] | | |
| *D05JSPS16* | 3.00 [76.2] | 4.50 [114.3] | 5.00 [127.0] | 2.28 [57.9] | 1.06 [27.0] | 1.25 [31.8] | 2.50 [63.5] | 2.69 [68.3] | 2.91 [73.8] | 0.38 [9.5] | 4.63 [117.5] | 4.13 [104.8] | 2.50 [63.5] | 1.72 [43.7] | 1.72 [43.7] | 1.88 [47.6] | 2.50 [63.5] | -- | 4.19 [106.4] | | |
| *D05JESPS16* | 3.00 [76.2] | 4.50 [114.3] | 5.00 [127.0] | 2.28 [57.9] | 1.06 [27.0] | -- | -- | 2.69 [68.3] | 2.91 [73.8] | 0.38 [9.5] | 4.63 [117.5] | 4.13 [104.8] | 2.50 [63.5] | 1.72 [43.7] | 1.72 [43.7] | 1.88 [47.6] | 2.25 [57.2] | 1.13 [28.6] | 4.25 [108.0] | | |

Specifications, descriptions, and dimensional data are subject to correction or change without notice or incurring obligation. Download latest catalog page revisions at www.damanifolds.com.

Ordering Information

| Material | Valve Pattern | Product Type | Port Location | Port Threads |
|----------|---------------|--------------|---------------|--------------|
|----------|---------------|--------------|---------------|--------------|

| Material | |
|----------|--|
| A | Aluminum - 6061-T6 3000† psi • 20.7 MPa |
| D | Ductile Iron - D4512 5000† psi • 34.5 MPa |

† Working pressure should be considered in accordance with ISO 4413 to determine appropriate material type.

| Valve Pattern | |
|----------------------|---|
| See Tech Information | |
| D05H | (USA std.) NFFPA T3.5.1-D05 Alt B High flow |
| D05HE | ISO 4401-05-05 NFFPA T3.5.1-D05 Alt A High flow |
| D05J | (USA std.) NFFPA T3.5.1-D05 Alt B Extra high flow |
| D05JE | ISO 4401-05-05 NFFPA T3.5.1-D05 Alt A Extra high flow |

| Port Location | |
|---------------|-------------|
| S | Side ported |

| P, T, A, B Port Threads | | | X & Y port size (reference) |
|--|--|--|--------------------------------------|
| D05H or D05HE only | D05J or D05JE only | | |
| 12P 0.75-14 NPTF ANSI B1.20.3 | 16P 1.00-11.5 NPTF ANSI B1.20.3 | | 0.25-18 NPTF ANSI B1.20.3 |
| 12S -12 SAE ISO 11926; SAE 1926 | 16S -16 SAE ISO 11926; SAE 1926 | | -4 SAE ISO 11926; SAE 1926 |
| 12B 0.75-14 BSPP ISO 1179; BS 2779 | 16B 1.00-11 BSPP ISO 1179; BS 2779 | | 0.25-19 BSPP ISO 1179; BS 2779 |
| 12M M27 x 2.0 ISO 6149 | 16M M33 x 2.0 ISO 6149 | | M10 x 1.0 ISO 6149 |
| 12T 0.75-14 BSPT ISO 7; BS 21 | 16T 1.00-11 BSPT ISO 7; BS 21 | | 0.25-19 BSPT ISO 7; BS 21 |

| Product Type | |
|--------------|----------|
| SP | Subplate |

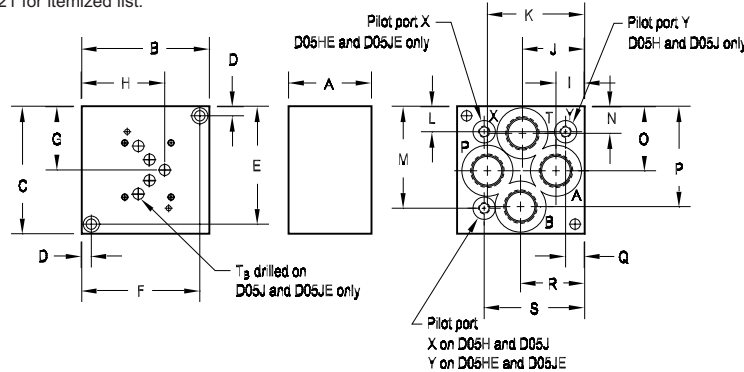
D05 High Flow Subplates with Pilot Ports

Back Ported Subplate

Valve mtg: UNC 0.25-20 x 0.75 DP or
Metric M6-1.0mm ISO 6H x [19.1] DP

Subplate hardware kit is supplied.

See page 121 for itemized list.



| Dimension | A | B | C | D | E | F | G | H | I | J | K | L | M | N | O | P | Q | R | S |
|---------------------|----------------|-----------------|-----------------|---------------|-----------------|-----------------|----------------|----------------|----------------|----------------|----------------|----------------|-----------------|----------------|----------------|-----------------|----------------|----------------|-----------------|
| *D05HSPB12* | 1.75 [44.5] | 4.50 [114.3] | 4.75 [120.7] | 0.38 [9.5] | 4.38 [111.3] | 4.13 [104.9] | 2.37 [60.2] | 2.91 [73.9] | 1.13 [28.6] | 2.19 [55.6] | 3.31 [84.1] | 0.88 [22.2] | 3.88 [98.4] | 1.13 [28.7] | 2.38 [60.5] | 3.56 [90.4] | 0.59 [15.1] | 2.25 [57.2] | 3.56 [90.5] |
| *D05HESPB12* | 1.75 [44.5] | 4.50 [114.3] | 4.75 [120.7] | 0.38 [9.5] | 4.38 [111.3] | 4.13 [104.9] | 2.37 [60.2] | 2.91 [73.9] | 1.13 [28.6] | 2.25 [57.2] | 3.31 [84.1] | 0.81 [20.6] | 3.94 [100.1] | 1.13 [28.7] | 2.38 [60.5] | 3.56 [90.4] | -- | 2.25 [57.2] | 3.50 [88.9] |
| *D05JSPB16B | 3.25 [82.6] | 5.00 [127.0] | 5.00 [127.0] | 0.38 [9.5] | 4.63 [117.5] | 4.63 [117.5] | 2.50 [63.5] | 3.25 [82.6] | 1.00 [25.4] | 2.44 [61.9] | 3.84 [97.6] | 0.88 [22.2] | 4.13 [104.8] | 1.00 [25.4] | 2.53 [64.3] | 4.00 [101.6] | 0.75 [19.1] | 2.44 [61.9] | 4.25 [108.0] |
| *D05JSPB16[M,P,S,T] | 3.25 [82.6] | 5.00 [127.0] | 5.00 [127.0] | 0.38 [9.5] | 4.63 [117.5] | 4.63 [117.5] | 2.50 [63.5] | 3.25 [82.6] | 1.13 [28.6] | 2.44 [61.9] | 3.81 [96.8] | 1.06 [27.0] | 4.00 [101.6] | 1.06 [27.0] | 2.53 [64.3] | 3.94 [100.1] | 0.75 [19.1] | 2.44 [61.9] | 3.94 [100.1] |
| *D05JESPB16* | 3.25 [82.6] | 5.00 [127.0] | 5.00 [127.0] | 0.38 [9.5] | 4.63 [117.5] | 4.63 [117.5] | 2.50 [63.5] | 3.25 [82.6] | 1.00 [25.4] | 2.44 [61.9] | 3.84 [97.6] | 1.06 [27.0] | 4.00 [101.6] | 1.06 [27.0] | 2.53 [64.3] | 4.00 [101.6] | -- | 2.44 [61.9] | 3.94 [100.1] |

Specifications, descriptions, and dimensional data are subject to correction or change without notice or incurring obligation. Download latest catalog page revisions at www.damanifolds.com.

Ordering Information

| Material | Valve Pattern | Product Type | Port Location | Port Threads |
|----------|---------------|--------------|---------------|--------------|
|----------|---------------|--------------|---------------|--------------|

| Material | |
|----------|--|
| A | Aluminum - 6061-T6 3000† psi • 20.7 MPa |
| D | Ductile Iron - D4512 5000† psi • 34.5 MPa |

† Working pressure should be considered in accordance with ISO 4413 to determine appropriate material type.

| Valve Pattern | |
|----------------------|--|
| See Tech Information | |
| D05H | (USA std.) NFPA T3.5.1-D05 Alt B High flow |
| D05HE | ISO 4401-05-05 NFPA T3.5.1-D05 Alt A High flow |
| D05J | (USA std.) NFPA T3.5.1-D05 Alt B Extra high flow |
| D05JE | ISO 4401-05-05 NFPA T3.5.1-D05 Alt A Extra high flow |

| Port Location | |
|---------------|-------------|
| B | Back ported |

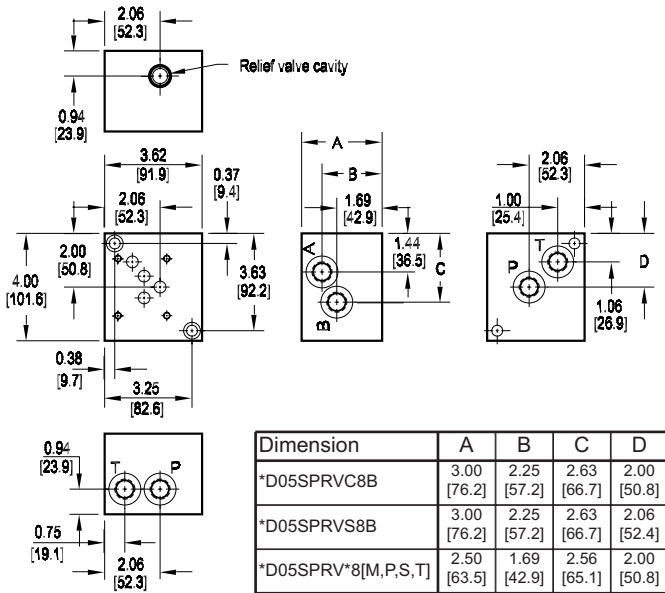
| P, T, A, B Port Threads | | | | X & Y port size (reference) |
|-------------------------|--------------------------------------|--------------------|--------------------------------------|--------------------------------------|
| D05H or D05HE only | | D05J or D05JE only | | |
| 12P | 0.75-14 NPTF ANSI B1.20.3 | 16P | 1.00-11.5 NPTF ANSI B1.20.3 | 0.25-18 NPTF ANSI B1.20.3 |
| 12S | -12 SAE ISO 11926; SAE 1926 | 16S | -16 SAE ISO 11926; SAE 1926 | -4 SAE ISO 11926; SAE 1926 |
| 12B | 0.75-14 BSPP ISO 1179; BS 2779 | 16B | 1.00-11 BSPP ISO 1179; BS 2779 | 0.25-19 BSPP ISO 1179; BS 2779 |
| 12M | M27 x 2.0 ISO 6149 | 16M | M33 x 2.0 ISO 6149 | M10 x 1.0 ISO 6149 |
| 12T | 0.75-14 BSPT ISO 7; BS 21 | 16T | 1.00-11 BSPT ISO 7; BS 21 | 0.25-19 BSPT ISO 7; BS 21 |

| Product Type | |
|--------------|----------|
| SP | Subplate |

D05 Subplates with Relief Cavity

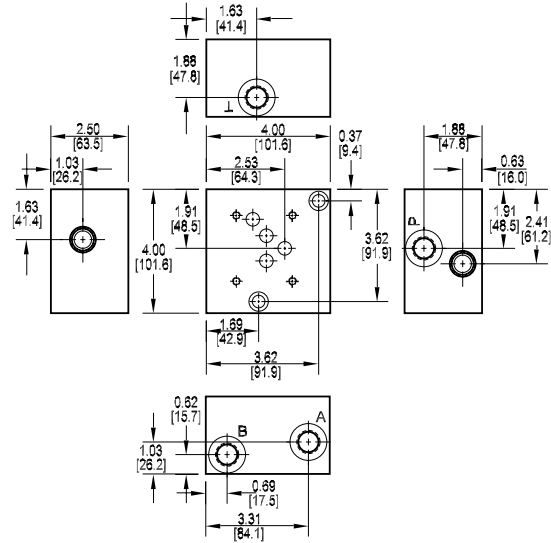
Dual Ported Subplate with Main Relief Cavity

Valve mtg: UNC 0.25-20 x 0.75 DP or
Metric M6-1.0mm ISO 6H x [19.1] DP
Subplate hardware kit is supplied.
See page 121 for itemized list.



Side Ported Subplate with Cylinder Port Crossover Relief Cavities

Valve mtg: UNC 0.25-20 x 0.75 DP or
Metric M6-1.0mm ISO 6H x [19.1] DP
Subplate hardware kit is supplied.
See page 122 for itemized list.



Specifications, descriptions, and dimensional data are subject to correction or change without notice or incurring obligation. Download latest catalog page revisions at www.damanifolds.com.

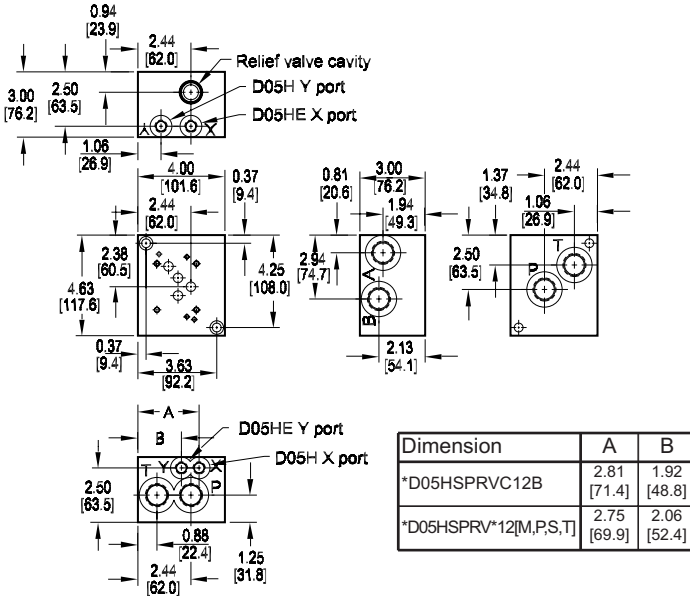
Ordering Information

| Material | Valve Pattern | Product Type | Circuit | Relief Cavity | Port Threads | | | | | | | | | | | | | | | | | | | | | | | | | | | | | | | | | | | | | | | | |
|--|--|--------------|----------|--|--------------|--|---|--|---|---------------|--|------------|---|--|--------------|--|-----------|----------|--|---------|--|-----------|-----------------------|-----------|--|---|---------------|--|----------|-------------------------------------|----------|--|--|--------------|--|-----------|------------------------------|-----------|-------------------------------|-----------|-----------------------------------|-----------|-----------------------|-----------|------------------------------|
| <table border="1"> <thead> <tr> <th colspan="2">Material</th> </tr> </thead> <tbody> <tr> <td>A</td> <td>Aluminum - 6061-T6 3000† psi • 20.7 MPa</td> </tr> <tr> <td>D</td> <td>Ductile Iron - D4512 5000† psi • 34.5 MPa</td> </tr> <tr> <td colspan="2">† Working pressure should be considered in accordance with ISO 4413 to determine appropriate material type.</td> </tr> </tbody> </table> | Material | | A | Aluminum - 6061-T6 3000† psi • 20.7 MPa | D | Ductile Iron - D4512 5000† psi • 34.5 MPa | † Working pressure should be considered in accordance with ISO 4413 to determine appropriate material type. | | <table border="1"> <thead> <tr> <th colspan="2">Valve Pattern</th> </tr> </thead> <tbody> <tr> <td>D05</td> <td>ISO 4401-05-04 NFPA T3.5.1-D05 See Tech Information</td> </tr> </tbody> </table> | Valve Pattern | | D05 | ISO 4401-05-04 NFPA T3.5.1-D05 See Tech Information | <table border="1"> <thead> <tr> <th colspan="2">Product Type</th> </tr> </thead> <tbody> <tr> <td>SP</td> <td>Subplate</td> </tr> </tbody> </table> | Product Type | | SP | Subplate | <table border="1"> <thead> <tr> <th colspan="2">Circuit</th> </tr> </thead> <tbody> <tr> <td>RV</td> <td>Main Relief P to T</td> </tr> <tr> <td>CR</td> <td>Crossover Reliefs A to B and B to A</td> </tr> </tbody> </table> | Circuit | | RV | Main Relief P to T | CR | Crossover Reliefs A to B and B to A | <table border="1"> <thead> <tr> <th colspan="2">Relief Cavity</th> </tr> </thead> <tbody> <tr> <td>C</td> <td>Common cavity C-10-2 (P in nose)</td> </tr> <tr> <td>S</td> <td>Sun Cavity T-10A (P in nose) See Tech Info for valves.</td> </tr> </tbody> </table> | Relief Cavity | | C | Common cavity C-10-2 (P in nose) | S | Sun Cavity T-10A (P in nose) See Tech Info for valves. | <table border="1"> <thead> <tr> <th colspan="2">Port Threads</th> </tr> </thead> <tbody> <tr> <td>8P</td> <td>0.50-14 NPTF ANSI B1.20.3</td> </tr> <tr> <td>8S</td> <td>-8 SAE ISO 11926; SAE 1926</td> </tr> <tr> <td>8B</td> <td>0.50-14 BSPP ISO 1179; BS 2779</td> </tr> <tr> <td>8M</td> <td>M18 x 1.5 ISO 6149</td> </tr> <tr> <td>8T</td> <td>0.50-14 BSPT ISO 7; BS 21</td> </tr> </tbody> </table> | Port Threads | | 8P | 0.50-14 NPTF ANSI B1.20.3 | 8S | -8 SAE ISO 11926; SAE 1926 | 8B | 0.50-14 BSPP ISO 1179; BS 2779 | 8M | M18 x 1.5 ISO 6149 | 8T | 0.50-14 BSPT ISO 7; BS 21 |
| Material | | | | | | | | | | | | | | | | | | | | | | | | | | | | | | | | | | | | | | | | | | | | | |
| A | Aluminum - 6061-T6 3000† psi • 20.7 MPa | | | | | | | | | | | | | | | | | | | | | | | | | | | | | | | | | | | | | | | | | | | | |
| D | Ductile Iron - D4512 5000† psi • 34.5 MPa | | | | | | | | | | | | | | | | | | | | | | | | | | | | | | | | | | | | | | | | | | | | |
| † Working pressure should be considered in accordance with ISO 4413 to determine appropriate material type. | | | | | | | | | | | | | | | | | | | | | | | | | | | | | | | | | | | | | | | | | | | | | |
| Valve Pattern | | | | | | | | | | | | | | | | | | | | | | | | | | | | | | | | | | | | | | | | | | | | | |
| D05 | ISO 4401-05-04 NFPA T3.5.1-D05 See Tech Information | | | | | | | | | | | | | | | | | | | | | | | | | | | | | | | | | | | | | | | | | | | | |
| Product Type | | | | | | | | | | | | | | | | | | | | | | | | | | | | | | | | | | | | | | | | | | | | | |
| SP | Subplate | | | | | | | | | | | | | | | | | | | | | | | | | | | | | | | | | | | | | | | | | | | | |
| Circuit | | | | | | | | | | | | | | | | | | | | | | | | | | | | | | | | | | | | | | | | | | | | | |
| RV | Main Relief P to T | | | | | | | | | | | | | | | | | | | | | | | | | | | | | | | | | | | | | | | | | | | | |
| CR | Crossover Reliefs A to B and B to A | | | | | | | | | | | | | | | | | | | | | | | | | | | | | | | | | | | | | | | | | | | | |
| Relief Cavity | | | | | | | | | | | | | | | | | | | | | | | | | | | | | | | | | | | | | | | | | | | | | |
| C | Common cavity C-10-2 (P in nose) | | | | | | | | | | | | | | | | | | | | | | | | | | | | | | | | | | | | | | | | | | | | |
| S | Sun Cavity T-10A (P in nose) See Tech Info for valves. | | | | | | | | | | | | | | | | | | | | | | | | | | | | | | | | | | | | | | | | | | | | |
| Port Threads | | | | | | | | | | | | | | | | | | | | | | | | | | | | | | | | | | | | | | | | | | | | | |
| 8P | 0.50-14 NPTF ANSI B1.20.3 | | | | | | | | | | | | | | | | | | | | | | | | | | | | | | | | | | | | | | | | | | | | |
| 8S | -8 SAE ISO 11926; SAE 1926 | | | | | | | | | | | | | | | | | | | | | | | | | | | | | | | | | | | | | | | | | | | | |
| 8B | 0.50-14 BSPP ISO 1179; BS 2779 | | | | | | | | | | | | | | | | | | | | | | | | | | | | | | | | | | | | | | | | | | | | |
| 8M | M18 x 1.5 ISO 6149 | | | | | | | | | | | | | | | | | | | | | | | | | | | | | | | | | | | | | | | | | | | | |
| 8T | 0.50-14 BSPT ISO 7; BS 21 | | | | | | | | | | | | | | | | | | | | | | | | | | | | | | | | | | | | | | | | | | | | |

D05 High Flow Subplates with Pilot Ports and Relief Cavity

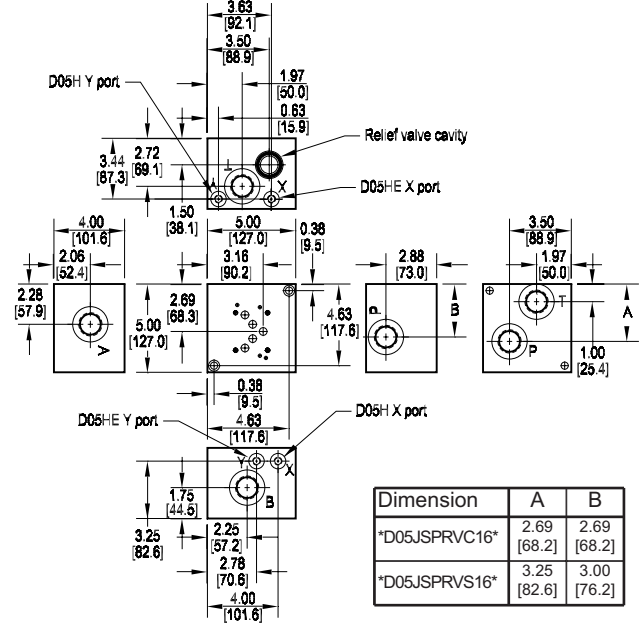
D05H High Flow Subplate with Main Relief Cavity

Valve mtg: UNC 0.25-20 x 0.75 DP or Metric M6-1.0mm ISO 6H x [19.1] DP
Subplate hardware kit is supplied. See page 121 for itemized list.



D05J Extra High Flow Subplate with Main Relief Cavity

Valve mtg: UNC 0.25-20 x 0.75 DP or Metric M6-1.0mm ISO 6H x [19.1] DP
Subplate hardware kit is supplied. See page 122 for itemized list.



Specifications, descriptions, and dimensional data are subject to correction or change without notice or incurring obligation. Download latest catalog page revisions at www.damanifolds.com.

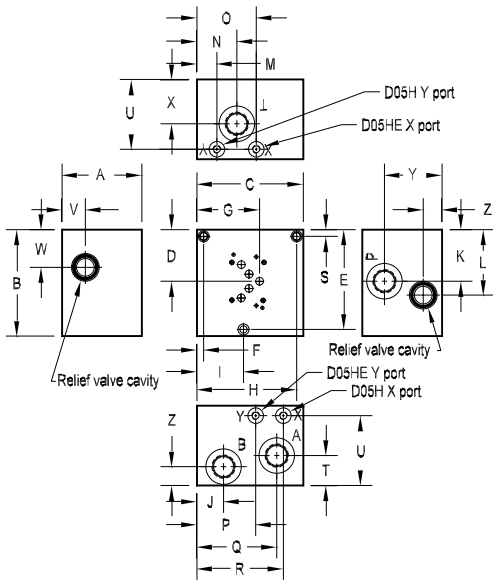
Ordering Information

| Material | Valve Pattern | Product Type | Circuit | Relief Cavity | Port Threads | | | | | | | | | | | | | | | | | | | | | | | | | | | | | | | | | | | | | | | | | | | | | | | | | |
|---|---|---|----------|--|--------------|--|--|---------------|--|----------------------|--|-------------|---|-------------|---|--|--------------|--|-----------|----------|---|---------|--|-----------|-----------------------|--|---------------|--|----------|---|----------|---|---|-------------------------|--|--|-----------|--|-----------|------------|------------------------------|---|------------|-----------------------------------|--|------------|--------------------------------------|---|------------|-----------------------|----------------------------------|------------|------------------------------|---|
| <table border="1"> <thead> <tr> <th colspan="2">Material</th> </tr> </thead> <tbody> <tr> <td>A</td> <td>Aluminum - 6061-T6 3000† psi • 20.7 MPa</td> </tr> <tr> <td>D</td> <td>Ductile Iron - D4512 5000† psi • 34.5 MPa</td> </tr> </tbody> </table> <p>† Working pressure should be considered in accordance with ISO 4413 to determine appropriate material type.</p> | Material | | A | Aluminum - 6061-T6 3000† psi • 20.7 MPa | D | Ductile Iron - D4512 5000† psi • 34.5 MPa | <table border="1"> <thead> <tr> <th colspan="2">Valve Pattern</th> </tr> </thead> <tbody> <tr> <td colspan="2">See Tech Information</td> </tr> <tr> <td>D05H</td> <td>ISO 4401-05-05 NFFPA T3.5.1-D05 Alt A & B High flow</td> </tr> <tr> <td>D05J</td> <td>ISO 4401-05-05 NFFPA T3.5.1-D05 Alt A & B Extra high flow</td> </tr> </tbody> </table> | Valve Pattern | | See Tech Information | | D05H | ISO 4401-05-05 NFFPA T3.5.1-D05 Alt A & B High flow | D05J | ISO 4401-05-05 NFFPA T3.5.1-D05 Alt A & B Extra high flow | <table border="1"> <thead> <tr> <th colspan="2">Product Type</th> </tr> </thead> <tbody> <tr> <td>SP</td> <td>Subplate</td> </tr> </tbody> </table> | Product Type | | SP | Subplate | <table border="1"> <thead> <tr> <th colspan="2">Circuit</th> </tr> </thead> <tbody> <tr> <td>RV</td> <td>Main Relief P to T</td> </tr> </tbody> </table> | Circuit | | RV | Main Relief P to T | <table border="1"> <thead> <tr> <th colspan="2">Relief Cavity</th> </tr> </thead> <tbody> <tr> <td>C</td> <td>Common cavity C-10-2 on D05H (P in nose) C-16-2 on D05J (P in nose)</td> </tr> <tr> <td>S</td> <td>Sun Cavity T-3A on D05H (P in nose) T-16A on D05J (P in nose) See Tech Info for valves</td> </tr> </tbody> </table> | Relief Cavity | | C | Common cavity C-10-2 on D05H (P in nose) C-16-2 on D05J (P in nose) | S | Sun Cavity T-3A on D05H (P in nose) T-16A on D05J (P in nose) See Tech Info for valves | <table border="1"> <thead> <tr> <th colspan="3">P, T, A, B Port Threads</th> </tr> <tr> <th colspan="2">D05H only</th> <th>D05J only</th> </tr> </thead> <tbody> <tr> <td>12P</td> <td>0.75-14 NPTF ANSI B1.20.3</td> <td>16P 1.00-11.5 NPTF ANSI B1.20.3</td> </tr> <tr> <td>12S</td> <td>-12 SAE ISO 11926; SAE 1926</td> <td>16S -16 SAE ISO 11926; SAE 1926</td> </tr> <tr> <td>12B</td> <td>0.75-14 BSPP ISO 1179; BS 2779</td> <td>16B 1.00-11 BSPP ISO 1179; BS 2779</td> </tr> <tr> <td>12M</td> <td>M27 x 2.0 ISO 6149</td> <td>16M M33 x 2.0 ISO 6149</td> </tr> <tr> <td>12T</td> <td>0.75-14 BSPT ISO 7; BS 21</td> <td>16T 1.00-11 BSPT ISO 7; BS 21</td> </tr> </tbody> </table> <p>X & Y port size (reference)</p> | P, T, A, B Port Threads | | | D05H only | | D05J only | 12P | 0.75-14 NPTF ANSI B1.20.3 | 16P 1.00-11.5 NPTF ANSI B1.20.3 | 12S | -12 SAE ISO 11926; SAE 1926 | 16S -16 SAE ISO 11926; SAE 1926 | 12B | 0.75-14 BSPP ISO 1179; BS 2779 | 16B 1.00-11 BSPP ISO 1179; BS 2779 | 12M | M27 x 2.0 ISO 6149 | 16M M33 x 2.0 ISO 6149 | 12T | 0.75-14 BSPT ISO 7; BS 21 | 16T 1.00-11 BSPT ISO 7; BS 21 |
| Material | | | | | | | | | | | | | | | | | | | | | | | | | | | | | | | | | | | | | | | | | | | | | | | | | | | | | | |
| A | Aluminum - 6061-T6 3000† psi • 20.7 MPa | | | | | | | | | | | | | | | | | | | | | | | | | | | | | | | | | | | | | | | | | | | | | | | | | | | | | |
| D | Ductile Iron - D4512 5000† psi • 34.5 MPa | | | | | | | | | | | | | | | | | | | | | | | | | | | | | | | | | | | | | | | | | | | | | | | | | | | | | |
| Valve Pattern | | | | | | | | | | | | | | | | | | | | | | | | | | | | | | | | | | | | | | | | | | | | | | | | | | | | | | |
| See Tech Information | | | | | | | | | | | | | | | | | | | | | | | | | | | | | | | | | | | | | | | | | | | | | | | | | | | | | | |
| D05H | ISO 4401-05-05 NFFPA T3.5.1-D05 Alt A & B High flow | | | | | | | | | | | | | | | | | | | | | | | | | | | | | | | | | | | | | | | | | | | | | | | | | | | | | |
| D05J | ISO 4401-05-05 NFFPA T3.5.1-D05 Alt A & B Extra high flow | | | | | | | | | | | | | | | | | | | | | | | | | | | | | | | | | | | | | | | | | | | | | | | | | | | | | |
| Product Type | | | | | | | | | | | | | | | | | | | | | | | | | | | | | | | | | | | | | | | | | | | | | | | | | | | | | | |
| SP | Subplate | | | | | | | | | | | | | | | | | | | | | | | | | | | | | | | | | | | | | | | | | | | | | | | | | | | | | |
| Circuit | | | | | | | | | | | | | | | | | | | | | | | | | | | | | | | | | | | | | | | | | | | | | | | | | | | | | | |
| RV | Main Relief P to T | | | | | | | | | | | | | | | | | | | | | | | | | | | | | | | | | | | | | | | | | | | | | | | | | | | | | |
| Relief Cavity | | | | | | | | | | | | | | | | | | | | | | | | | | | | | | | | | | | | | | | | | | | | | | | | | | | | | | |
| C | Common cavity C-10-2 on D05H (P in nose) C-16-2 on D05J (P in nose) | | | | | | | | | | | | | | | | | | | | | | | | | | | | | | | | | | | | | | | | | | | | | | | | | | | | | |
| S | Sun Cavity T-3A on D05H (P in nose) T-16A on D05J (P in nose) See Tech Info for valves | | | | | | | | | | | | | | | | | | | | | | | | | | | | | | | | | | | | | | | | | | | | | | | | | | | | | |
| P, T, A, B Port Threads | | | | | | | | | | | | | | | | | | | | | | | | | | | | | | | | | | | | | | | | | | | | | | | | | | | | | | |
| D05H only | | D05J only | | | | | | | | | | | | | | | | | | | | | | | | | | | | | | | | | | | | | | | | | | | | | | | | | | | | |
| 12P | 0.75-14 NPTF ANSI B1.20.3 | 16P 1.00-11.5 NPTF ANSI B1.20.3 | | | | | | | | | | | | | | | | | | | | | | | | | | | | | | | | | | | | | | | | | | | | | | | | | | | | |
| 12S | -12 SAE ISO 11926; SAE 1926 | 16S -16 SAE ISO 11926; SAE 1926 | | | | | | | | | | | | | | | | | | | | | | | | | | | | | | | | | | | | | | | | | | | | | | | | | | | | |
| 12B | 0.75-14 BSPP ISO 1179; BS 2779 | 16B 1.00-11 BSPP ISO 1179; BS 2779 | | | | | | | | | | | | | | | | | | | | | | | | | | | | | | | | | | | | | | | | | | | | | | | | | | | | |
| 12M | M27 x 2.0 ISO 6149 | 16M M33 x 2.0 ISO 6149 | | | | | | | | | | | | | | | | | | | | | | | | | | | | | | | | | | | | | | | | | | | | | | | | | | | | |
| 12T | 0.75-14 BSPT ISO 7; BS 21 | 16T 1.00-11 BSPT ISO 7; BS 21 | | | | | | | | | | | | | | | | | | | | | | | | | | | | | | | | | | | | | | | | | | | | | | | | | | | | |

D05 High Flow Subplates with Pilot Ports and Relief Cavity

Side Ported Subplate with Cylinder Port
Crossover Relief Cavities

Valve mtg: UNC 0.25-20 x 0.75 DP or
Metric M6-1.0mm ISO 6H x [19.1] DP
Subplate hardware kit is supplied.
See page 122 for itemized list.



| Dimension | A | B | C | D | E | F | G | H | I |
|---------------|-----------------|-----------------|-----------------|----------------|-----------------|---------------|----------------|-----------------|----------------|
| *D05HSPCR*12* | 4.50 [114.3] | 5.00 [127.0] | 5.00 [127.0] | 2.41 [61.1] | 4.63 [117.5] | -- | 3.03 [77.0] | 4.63 [117.5] | 2.13 [54.0] |
| *D05JSPCRC16* | 4.50 [114.3] | 5.00 [127.0] | 5.00 [127.0] | 2.41 [61.1] | 4.63 [117.5] | -- | 3.03 [77.0] | 4.63 [117.5] | 2.13 [54.0] |
| *D05JSPCRS16* | 4.50 [114.3] | 6.00 [152.4] | 6.00 [152.4] | 2.91 [73.8] | 5.63 [142.9] | 0.38 [9.7] | 3.53 [89.7] | 5.63 [142.9] | 2.63 [66.7] |

| Dimension | J | K | L | M | N | O | P | Q | R |
|---------------|----------------|----------------|----------------|----------------|----------------|----------------|----------------|-----------------|-----------------|
| *D05HSPCR*12* | 1.00 [25.4] | 2.41 [61.1] | 3.00 [76.2] | 0.63 [15.9] | 2.00 [50.8] | 2.85 [72.3] | 2.81 [71.4] | 4.00 [101.6] | 4.38 [111.1] |
| *D05JSPCRC16* | 1.00 [25.4] | 2.41 [61.1] | 3.00 [76.2] | 0.63 [15.9] | 1.75 [44.5] | 2.85 [72.3] | 2.81 [71.4] | 4.00 [101.6] | 4.38 [111.1] |
| *D05JSPCRS16* | 1.50 [38.1] | 2.91 [73.8] | 3.69 [93.7] | 1.13 [28.6] | 2.25 [57.2] | 3.35 [85.0] | 3.31 [84.1] | 4.50 [114.3] | 4.88 [124.0] |

| Dimension | S | T | U | V | W | X | Y | Z |
|---------------|---------------|----------------|-----------------|----------------|----------------|----------------|----------------|----------------|
| *D05HSPCRC12* | 0.38 [9.5] | 1.69 [42.9] | 3.94 [100.0] | 1.47 [37.3] | 1.75 [44.5] | 2.50 [63.5] | 3.25 [82.6] | 1.28 [32.5] |
| *D05HSPCRS12* | 0.38 [9.5] | 1.69 [42.9] | 3.94 [100.0] | 1.31 [33.3] | 1.75 [44.5] | 2.50 [63.5] | 3.25 [82.6] | 1.06 [27.0] |
| *D05JSPCRC16* | 0.38 [9.5] | 1.69 [42.9] | 3.94 [100.0] | 1.31 [33.3] | 1.75 [44.5] | 2.50 [63.5] | 3.25 [82.6] | 1.06 [27.0] |
| *D05JSPCRS16* | 0.38 [9.5] | 1.69 [42.9] | 3.94 [100.0] | 1.31 [33.3] | 2.13 [54.0] | 2.50 [63.5] | 3.25 [82.6] | 1.06 [27.0] |

Specifications, descriptions, and dimensional data are subject to correction or change without notice or incurring obligation. Download latest catalog page revisions at www.damanifolds.com.

Ordering Information

| Material | Valve Pattern | Product Type | Circuit | Relief Cavity | Port Threads | | | | | | | | | | | | | | | | | | | | | | | | | | | | | | | | | | | | | | | | | | | | | | | | | | | | | | | | | | | | |
|---|---|--------------|--------------------------------------|--|--------------|--|--|---------------|--|----------------------|--|-------------|--|-------------|--|--|--------------|--|-----------|----------|--|---------|--|-----------|--|--|---------------|--|----------|---|----------|---|--|-------------------------|--|--|--------------------------------|-----------|--|-----------|------------|------------------------------|------------|--------------------------------|------------------------------|------------|-----------------------------------|------------|-----------------------------------|----------------------------------|------------|--------------------------------------|------------|--------------------------------------|--------------------------------------|------------|-----------------------|------------|-----------------------|-----------------------|------------|------------------------------|------------|------------------------------|------------------------------|
| <table border="1"> <thead> <tr> <th colspan="2">Material</th> </tr> </thead> <tbody> <tr> <td>A</td> <td>Aluminum - 6061-T6 3000† psi • 20.7 MPa</td> </tr> <tr> <td>D</td> <td>Ductile Iron - D4512 5000† psi • 34.5 MPa</td> </tr> </tbody> </table> <p>† Working pressure should be considered in accordance with ISO 4413 to determine appropriate material type.</p> | Material | | A | Aluminum - 6061-T6 3000† psi • 20.7 MPa | D | Ductile Iron - D4512 5000† psi • 34.5 MPa | <table border="1"> <thead> <tr> <th colspan="2">Valve Pattern</th> </tr> <tr> <td colspan="2">See Tech Information</td> </tr> <tr> <td>D05H</td> <td>ISO 4401-05-05 NFPA T3.5.1-D05 Alt A & B High flow</td> </tr> <tr> <td>D05J</td> <td>ISO 4401-05-05 NFPA T3.5.1-D05 Alt A & B Extra high flow</td> </tr> </thead></table> | Valve Pattern | | See Tech Information | | D05H | ISO 4401-05-05 NFPA T3.5.1-D05 Alt A & B High flow | D05J | ISO 4401-05-05 NFPA T3.5.1-D05 Alt A & B Extra high flow | <table border="1"> <thead> <tr> <th colspan="2">Product Type</th> </tr> </thead> <tbody> <tr> <td>SP</td> <td>Subplate</td> </tr> </tbody> </table> | Product Type | | SP | Subplate | <table border="1"> <thead> <tr> <th colspan="2">Circuit</th> </tr> </thead> <tbody> <tr> <td>CR</td> <td>Crossover Reliefs A to B and B to A</td> </tr> </tbody> </table> | Circuit | | CR | Crossover Reliefs A to B and B to A | <table border="1"> <thead> <tr> <th colspan="2">Relief Cavity</th> </tr> </thead> <tbody> <tr> <td>C</td> <td>Common cavity C-10-2 on D05H (P in nose) C-16-2 on D05J (P in nose)</td> </tr> <tr> <td>S</td> <td>Sun Cavity T-3A on D05H (P in nose) T-16A on D05J (P in nose) See Tech Info for valves</td> </tr> </tbody> </table> | Relief Cavity | | C | Common cavity C-10-2 on D05H (P in nose) C-16-2 on D05J (P in nose) | S | Sun Cavity T-3A on D05H (P in nose) T-16A on D05J (P in nose) See Tech Info for valves | <table border="1"> <thead> <tr> <th colspan="3">P, T, A, B Port Threads</th> <th rowspan="2">X & Y port size (reference)</th> </tr> <tr> <th colspan="2">D05H only</th> <th>D05J only</th> </tr> </thead> <tbody> <tr> <td>12P</td> <td>0.75-14 NPTF ANSI B1.20.3</td> <td>16P</td> <td>1.00-11.5 NPTF ANSI B1.20.3</td> <td>0.25-18 NPTF ANSI B1.20.3</td> </tr> <tr> <td>12S</td> <td>-12 SAE ISO 11926; SAE 1926</td> <td>16S</td> <td>-16 SAE ISO 11926; SAE 1926</td> <td>-4 SAE ISO 11926; SAE 1926</td> </tr> <tr> <td>12B</td> <td>0.75-14 BSPP ISO 1179; BS 2779</td> <td>16B</td> <td>1.00-11 BSPP ISO 1179; BS 2779</td> <td>0.25-19 BSPP ISO 1179; BS 2779</td> </tr> <tr> <td>12M</td> <td>M27 x 2.0 ISO 6149</td> <td>16M</td> <td>M33 x 2.0 ISO 6149</td> <td>M10 x 1.0 ISO 6149</td> </tr> <tr> <td>12T</td> <td>0.75-14 BSPT ISO 7; BS 21</td> <td>16T</td> <td>1.00-11 BSPT ISO 7; BS 21</td> <td>0.25-19 BSPT ISO 7; BS 21</td> </tr> </tbody> </table> | P, T, A, B Port Threads | | | X & Y port size (reference) | D05H only | | D05J only | 12P | 0.75-14 NPTF ANSI B1.20.3 | 16P | 1.00-11.5 NPTF ANSI B1.20.3 | 0.25-18 NPTF ANSI B1.20.3 | 12S | -12 SAE ISO 11926; SAE 1926 | 16S | -16 SAE ISO 11926; SAE 1926 | -4 SAE ISO 11926; SAE 1926 | 12B | 0.75-14 BSPP ISO 1179; BS 2779 | 16B | 1.00-11 BSPP ISO 1179; BS 2779 | 0.25-19 BSPP ISO 1179; BS 2779 | 12M | M27 x 2.0 ISO 6149 | 16M | M33 x 2.0 ISO 6149 | M10 x 1.0 ISO 6149 | 12T | 0.75-14 BSPT ISO 7; BS 21 | 16T | 1.00-11 BSPT ISO 7; BS 21 | 0.25-19 BSPT ISO 7; BS 21 |
| Material | | | | | | | | | | | | | | | | | | | | | | | | | | | | | | | | | | | | | | | | | | | | | | | | | | | | | | | | | | | | | | | | | |
| A | Aluminum - 6061-T6 3000† psi • 20.7 MPa | | | | | | | | | | | | | | | | | | | | | | | | | | | | | | | | | | | | | | | | | | | | | | | | | | | | | | | | | | | | | | | | |
| D | Ductile Iron - D4512 5000† psi • 34.5 MPa | | | | | | | | | | | | | | | | | | | | | | | | | | | | | | | | | | | | | | | | | | | | | | | | | | | | | | | | | | | | | | | | |
| Valve Pattern | | | | | | | | | | | | | | | | | | | | | | | | | | | | | | | | | | | | | | | | | | | | | | | | | | | | | | | | | | | | | | | | | |
| See Tech Information | | | | | | | | | | | | | | | | | | | | | | | | | | | | | | | | | | | | | | | | | | | | | | | | | | | | | | | | | | | | | | | | | |
| D05H | ISO 4401-05-05 NFPA T3.5.1-D05 Alt A & B High flow | | | | | | | | | | | | | | | | | | | | | | | | | | | | | | | | | | | | | | | | | | | | | | | | | | | | | | | | | | | | | | | | |
| D05J | ISO 4401-05-05 NFPA T3.5.1-D05 Alt A & B Extra high flow | | | | | | | | | | | | | | | | | | | | | | | | | | | | | | | | | | | | | | | | | | | | | | | | | | | | | | | | | | | | | | | | |
| Product Type | | | | | | | | | | | | | | | | | | | | | | | | | | | | | | | | | | | | | | | | | | | | | | | | | | | | | | | | | | | | | | | | | |
| SP | Subplate | | | | | | | | | | | | | | | | | | | | | | | | | | | | | | | | | | | | | | | | | | | | | | | | | | | | | | | | | | | | | | | | |
| Circuit | | | | | | | | | | | | | | | | | | | | | | | | | | | | | | | | | | | | | | | | | | | | | | | | | | | | | | | | | | | | | | | | | |
| CR | Crossover Reliefs A to B and B to A | | | | | | | | | | | | | | | | | | | | | | | | | | | | | | | | | | | | | | | | | | | | | | | | | | | | | | | | | | | | | | | | |
| Relief Cavity | | | | | | | | | | | | | | | | | | | | | | | | | | | | | | | | | | | | | | | | | | | | | | | | | | | | | | | | | | | | | | | | | |
| C | Common cavity C-10-2 on D05H (P in nose) C-16-2 on D05J (P in nose) | | | | | | | | | | | | | | | | | | | | | | | | | | | | | | | | | | | | | | | | | | | | | | | | | | | | | | | | | | | | | | | | |
| S | Sun Cavity T-3A on D05H (P in nose) T-16A on D05J (P in nose) See Tech Info for valves | | | | | | | | | | | | | | | | | | | | | | | | | | | | | | | | | | | | | | | | | | | | | | | | | | | | | | | | | | | | | | | | |
| P, T, A, B Port Threads | | | X & Y port size (reference) | | | | | | | | | | | | | | | | | | | | | | | | | | | | | | | | | | | | | | | | | | | | | | | | | | | | | | | | | | | | | | |
| D05H only | | D05J only | | | | | | | | | | | | | | | | | | | | | | | | | | | | | | | | | | | | | | | | | | | | | | | | | | | | | | | | | | | | | | | |
| 12P | 0.75-14 NPTF ANSI B1.20.3 | 16P | 1.00-11.5 NPTF ANSI B1.20.3 | 0.25-18 NPTF ANSI B1.20.3 | | | | | | | | | | | | | | | | | | | | | | | | | | | | | | | | | | | | | | | | | | | | | | | | | | | | | | | | | | | | | |
| 12S | -12 SAE ISO 11926; SAE 1926 | 16S | -16 SAE ISO 11926; SAE 1926 | -4 SAE ISO 11926; SAE 1926 | | | | | | | | | | | | | | | | | | | | | | | | | | | | | | | | | | | | | | | | | | | | | | | | | | | | | | | | | | | | | |
| 12B | 0.75-14 BSPP ISO 1179; BS 2779 | 16B | 1.00-11 BSPP ISO 1179; BS 2779 | 0.25-19 BSPP ISO 1179; BS 2779 | | | | | | | | | | | | | | | | | | | | | | | | | | | | | | | | | | | | | | | | | | | | | | | | | | | | | | | | | | | | | |
| 12M | M27 x 2.0 ISO 6149 | 16M | M33 x 2.0 ISO 6149 | M10 x 1.0 ISO 6149 | | | | | | | | | | | | | | | | | | | | | | | | | | | | | | | | | | | | | | | | | | | | | | | | | | | | | | | | | | | | | |
| 12T | 0.75-14 BSPT ISO 7; BS 21 | 16T | 1.00-11 BSPT ISO 7; BS 21 | 0.25-19 BSPT ISO 7; BS 21 | | | | | | | | | | | | | | | | | | | | | | | | | | | | | | | | | | | | | | | | | | | | | | | | | | | | | | | | | | | | | |

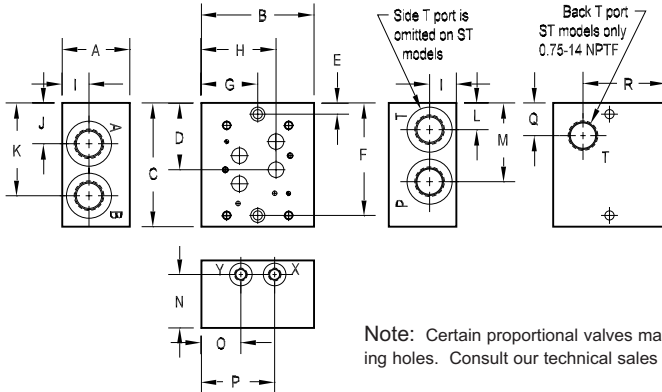
D07 Subplates

Side Ported Subplate

Valve mtg: UNC 0.25-20 x 0.75 DP and UNC 0.38-16 x 1.00 DP or Metric M6-1.0mm ISO 6H x [19.1] DP and M10-1.5mm ISO 6H x [25.4] DP

Subplate hardware kit is supplied.

See page 122 for itemized list.



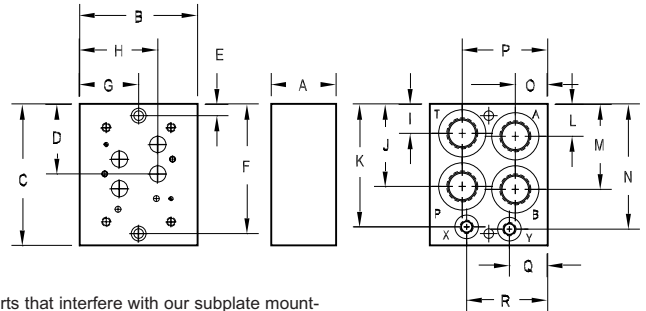
Note: Certain proportional valves may have ports that interfere with our subplate mounting holes. Consult our technical sales team for information or custom subplate pricing.

Back Ported Subplate

Valve mtg: UNC 0.25-20 x 0.75 DP and UNC 0.38-16 x 1.00 DP or Metric M6-1.0mm ISO 6H x [19.1] DP and M10-1.5mm ISO 6H x [25.4] DP

Subplate hardware kit is supplied.

See page 122 for itemized list.



| Dimension | A | B | C | D | E | F | G | H | I | J | K | L | M | N | O | P | Q | R |
|--------------------|-------------|--------------|--------------|-------------|-------------|--------------|-------------|-------------|-------------|-------------|--------------|-------------|-------------|--------------|-------------|-------------|-------------|-------------|
| *D07SPSO12* | 1.75 [44.5] | 3.75 [95.3] | 4.75 [120.7] | 2.34 [59.4] | 0.38 [9.5] | 4.38 [111.3] | 1.88 [47.8] | 2.69 [68.3] | 0.81 [20.6] | 1.50 [38.1] | 3.13 [79.5] | 1.19 [30.2] | 2.78 [70.6] | 1.25 [31.8] | 1.12 [28.4] | 2.62 [66.5] | -- | -- |
| *D07SPST12* | 1.75 [44.5] | 3.75 [95.3] | 4.75 [120.7] | 2.34 [59.4] | 0.38 [9.5] | 4.38 [111.3] | 1.88 [47.8] | 2.69 [68.3] | 0.81 [20.6] | 1.50 [38.1] | 3.13 [79.5] | -- | 2.78 [70.6] | 1.25 [31.8] | 1.12 [28.4] | 2.62 [66.5] | 1.09 [27.7] | 2.69 [68.3] |
| *D07SPSO16* | 3.00 [76.2] | 5.00 [127.0] | 5.50 [139.7] | 2.97 [75.4] | 0.50 [12.7] | 5.00 [127.0] | 2.50 [63.5] | 3.31 [84.2] | 1.19 [30.2] | 1.81 [46.0] | 4.13 [104.8] | 1.19 [30.2] | 3.50 [88.9] | 2.38 [60.3] | 1.75 [44.5] | 3.25 [82.6] | -- | -- |
| *D07SPB12B | 1.50 [38.1] | 4.00 [101.6] | 4.75 [120.7] | 2.34 [59.4] | 0.38 [9.5] | 4.37 [111.0] | 2.00 [50.8] | 2.81 [71.4] | 1.09 [27.7] | 2.75 [69.9] | 4.00 [101.6] | 1.19 [30.2] | 2.81 [71.4] | 4.09 [103.9] | 1.13 [28.7] | 2.94 [74.7] | 1.13 [28.7] | 2.94 [74.7] |
| *D07SPB12[M,P,S,T] | 1.50 [38.1] | 4.00 [101.6] | 4.75 [120.7] | 2.34 [59.4] | 0.38 [9.5] | 4.37 [111.0] | 2.00 [50.8] | 2.81 [71.4] | 1.09 [27.7] | 2.81 [71.4] | 4.00 [101.6] | 1.25 [31.8] | 2.91 [73.9] | 4.09 [103.9] | 1.13 [28.7] | 2.94 [74.7] | 1.13 [28.7] | 2.94 [74.7] |
| *D07SPB16* | 2.75 [69.9] | 5.00 [101.6] | 6.00 [152.4] | 2.97 [75.4] | 0.50 [12.7] | 5.50 [139.7] | 2.50 [63.5] | 3.31 [84.2] | 1.25 [31.8] | 3.50 [88.9] | 5.31 [134.9] | 1.38 [34.9] | 3.63 [92.1] | 5.31 [134.9] | 1.38 [34.9] | 3.63 [92.1] | 1.63 [41.3] | 3.44 [87.3] |

Specifications, descriptions, and dimensional data are subject to correction or change without notice or incurring obligation. Download latest catalog page revisions at www.damanifolds.com.

Ordering Information



| Material | |
|----------|--|
| A | Aluminum - 6061-T6 3000† psi • 20.7 MPa |
| D | Ductile Iron - D4512 5000† psi • 34.5 MPa |

† Working pressure should be considered in accordance with ISO 4413 to determine appropriate material type.

| Valve Pattern | |
|---------------|--|
| D07 | ISO 4401-07-06 NFFPA T3.5.1-D07 See Tech Information |

| Port Location | |
|---------------|--|
| SO | Side ported |
| ST | Side P,A,B ports Back T port. Available on 12P and 12S only |
| B | Back ported |

| P, T, A, B Port Threads* | | | X & Y port size (reference) |
|--------------------------|--------------------------------------|------------|--------------------------------------|
| 12P | 0.75-14 NPTF ANSI B1.20.3 | 16P | 1.00-11.5 NPTF ANSI B1.20.3 |
| 12S | -12 SAE ISO 11926; SAE 1926 | 16S | -16 SAE ISO 11926; SAE 1926 |
| 12B | 0.75-14 BSPP ISO 1179; BS 2779 | 16B | 1.00-11 BSPP ISO 1179; BS 2779 |
| 12M | M27 x 2.0 ISO 6149 | 16M | M33 x 2.0 ISO 6149 |
| 12T | 0.75-14 BSPT ISO 7; BS 21 | 16T | 1.00-11 BSPT ISO 7; BS 21 |

| Product Type | |
|--------------|----------|
| SP | Subplate |

* T port is always 0.75-14 NPTF on ST models.

D07 Subplates with Relief Cavity

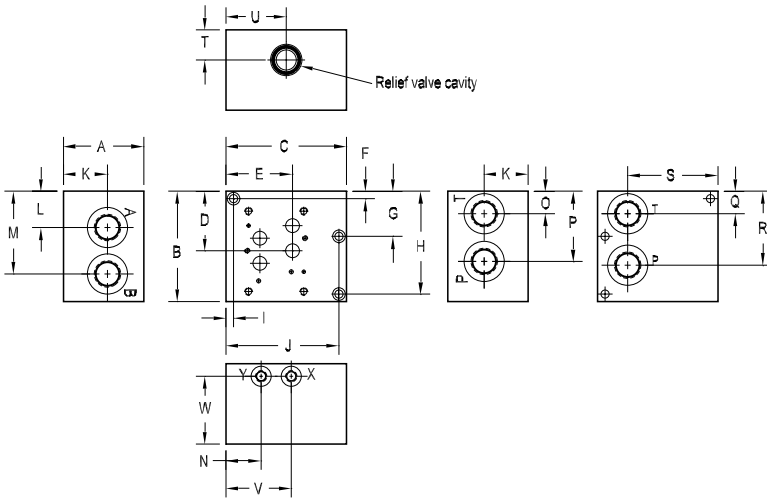
Dual Ported Subplate with Main Relief Cavity

Valve mtg: UNC 0.25-20 x 0.50 DP and UNC 0.38-16 x 0.75 DP or

Metric M6-1.0mm ISO 6H x [12.7] DP and M10-1.5mm ISO 6H x [19.1] DP

Subplate hardware kit is supplied.

See page 122 for itemized list.



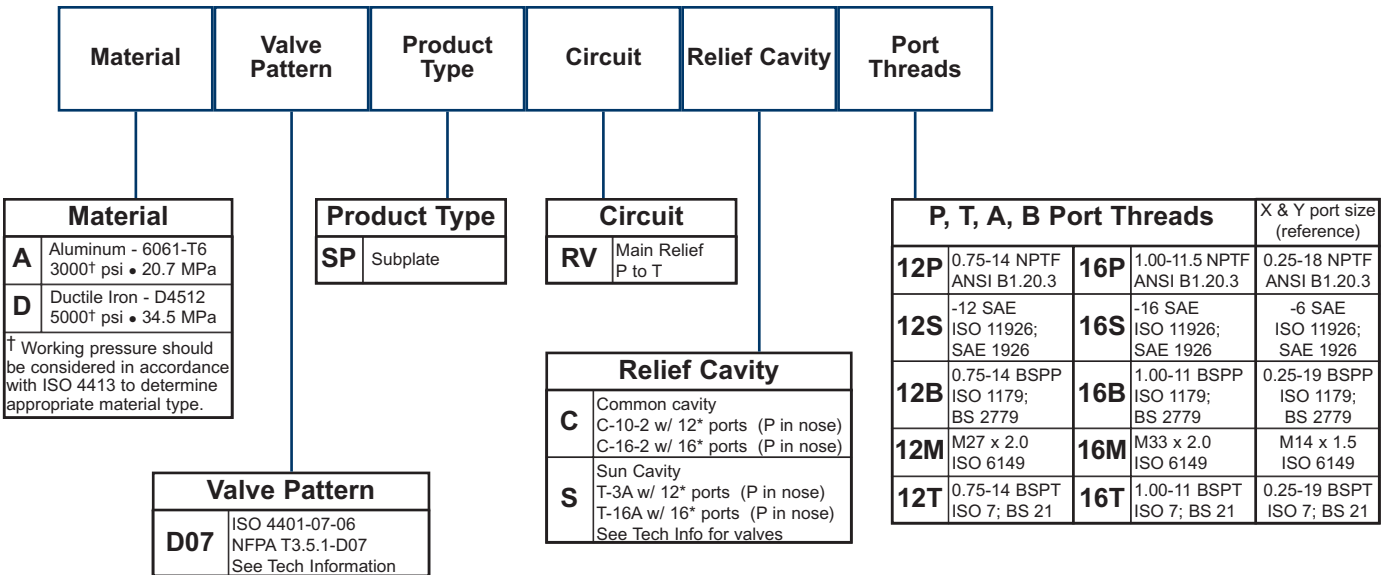
| Dimension | A | B | C | D | E | F | G | H |
|--------------|-----------------|-----------------|-----------------|----------------|----------------|---------------|----------------|-----------------|
| *D07SPRVC12* | 2.75 [69.9] | 4.75 [120.7] | 4.00 [101.6] | 2.34 [59.4] | 2.81 [71.4] | 0.38 [9.5] | -- | 4.37 [111.0] |
| *D07SPRVS12* | 2.50 [63.5] | 4.75 [120.7] | 4.00 [101.6] | 2.34 [59.4] | 2.81 [71.4] | 0.38 [9.5] | -- | 4.37 [111.0] |
| *D07SPRVC16* | 4.00 [101.6] | 5.50 [139.7] | 6.00 [152.4] | 2.97 [75.4] | 3.31 [84.2] | 0.38 [9.5] | 2.25 [57.2] | 5.13 [130.2] |
| *D07SPRVS16* | 4.00 [101.6] | 5.50 [139.7] | 6.00 [152.4] | 2.97 [75.4] | 3.31 [84.2] | 0.38 [9.5] | 2.25 [57.2] | 5.13 [130.2] |

| Dimension | I | J | K | L | M | N | O | P |
|--------------|----------------|-----------------|----------------|----------------|-----------------|----------------|----------------|----------------|
| *D07SPRVC12* | 1.38 [35.1] | 2.00 [50.8] | 1.50 [38.1] | 1.50 [38.1] | 3.12 [79.2] | 1.19 [30.2] | 1.19 [30.2] | 2.78 [70.6] |
| *D07SPRVS12* | 1.38 [35.1] | 2.00 [50.8] | 1.25 [31.8] | 1.50 [38.1] | 3.12 [79.2] | 1.19 [30.2] | 1.19 [30.2] | 2.78 [70.6] |
| *D07SPRVC16* | 0.38 [9.5] | 5.63 [142.9] | 2.19 [55.6] | 1.81 [46.0] | 4.13 [104.8] | 1.75 [44.5] | 1.00 [25.4] | 3.50 [88.9] |
| *D07SPRVS16* | 0.38 [9.5] | 5.63 [142.9] | 2.19 [55.6] | 1.81 [46.0] | 4.13 [104.8] | 1.75 [44.5] | 1.13 [28.6] | 3.50 [88.9] |

| Dimension | Q | R | S | T | U | V | W |
|--------------|----------------|----------------|-----------------|----------------|----------------|----------------|----------------|
| *D07SPRVC12* | 1.13 [28.6] | 2.75 [69.9] | 2.81 [71.4] | 1.75 [44.5] | 2.22 [56.4] | 2.81 [71.4] | 2.25 [57.2] |
| *D07SPRVS12* | 1.13 [28.6] | 2.75 [69.9] | 2.81 [71.4] | 1.25 [31.8] | 2.31 [58.7] | 2.81 [71.4] | 2.00 [50.8] |
| *D07SPRVC16* | 1.13 [28.6] | 3.69 [93.7] | 4.50 [114.3] | 1.50 [38.1] | 3.00 [76.2] | 3.25 [82.6] | 3.38 [85.7] |
| *D07SPRVS16* | 1.13 [28.6] | 3.69 [93.7] | 4.50 [114.3] | 1.50 [38.1] | 3.00 [76.2] | 3.25 [82.6] | 3.38 [85.7] |

Specifications, descriptions, and dimensional data are subject to correction or change without notice or incurring obligation. Download latest catalog page revisions at www.damanifolds.com.

Ordering Information

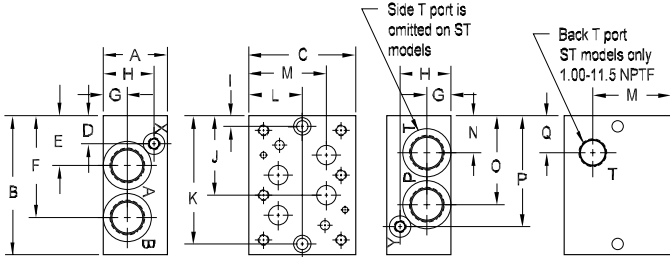


D08 Subplates

Side Ported Subplate

Valve mtg: UNC 0.50-13 x 1.19 DP or
Metric M12-1.75mm ISO 6H x [30.2] DP

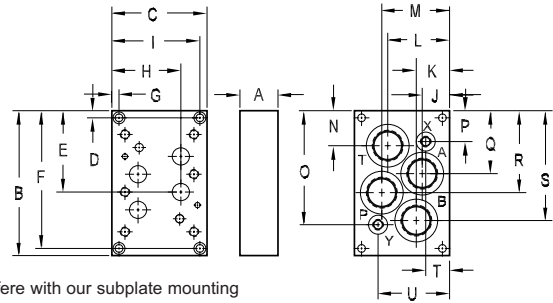
Subplate hardware kit is supplied.
See page 122 for itemized list.



Back Ported Subplate

Valve mtg: UNC 0.50-13 x 1.19 DP or
Metric M12-1.75mm ISO 6H x [30.2] DP

Subplate hardware kit is supplied.
See page 122 for itemized list.



Note: Certain proportional valves may have ports that interfere with our subplate mounting holes. Consult our technical sales team for information or custom subplate pricing.

| Dimension | A | B | C | D | E | F | G | H | I | J | K | L | M | N | O | P | Q | R | S | T | U |
|-----------------------------------|-----------------|-----------------|-----------------|----------------|-----------------|-----------------|----------------|----------------|-----------------|----------------|-----------------|----------------|----------------|----------------|-----------------|-----------------|----------------|-----------------|-----------------|----------------|----------------|
| *D08SPSO12P, *D08SPSO16* | 2.00 [50.8] | 6.13 [155.7] | 4.50 [114.3] | 1.19 [30.2] | 2.53 [64.3] | 4.53 [115.1] | 1.00 [25.4] | 1.00 [25.4] | 0.50 [12.7] | 3.53 [89.7] | 5.62 [142.7] | 2.25 [57.2] | 3.38 [85.9] | 1.56 [39.7] | 3.59 [91.2] | 4.94 [125.5] | -- | -- | -- | -- | -- |
| *D08SPST12P, *D08SPST16* | 2.00 [50.8] | 6.13 [155.7] | 4.50 [114.3] | 1.19 [30.2] | 2.53 [64.3] | 4.53 [115.1] | 1.00 [25.4] | 1.00 [25.4] | 0.50 [12.7] | 3.53 [89.7] | 5.62 [142.7] | 2.25 [57.2] | 3.38 [85.9] | -- | 3.59 [91.2] | 4.94 [125.5] | 1.66 [42.1] | 3.38 [85.9] | -- | -- | -- |
| *D08SPSO20* | 3.00 [76.2] | 6.50 [165.1] | 5.00 [127.0] | 1.31 [33.3] | 2.33 [59.2] | 4.77 [121.2] | 1.13 [28.6] | 2.38 [60.3] | 0.50 [12.7] | 3.72 [94.5] | 6.00 [152.4] | 2.50 [63.5] | 3.63 [92.2] | 1.73 [43.9] | 4.17 [105.9] | 5.19 [131.8] | -- | -- | -- | -- | -- |
| *D08SPSO20M | 4.00 [101.6] | 6.50 [165.1] | 5.00 [127.0] | 1.38 [34.9] | 2.33 [59.2] | 4.77 [121.2] | 1.63 [41.3] | 3.13 [79.4] | 0.50 [12.7] | 3.72 [94.5] | 6.00 [152.4] | 2.50 [63.5] | 3.63 [92.2] | 1.73 [43.9] | 4.17 [105.9] | 5.13 [130.2] | -- | -- | -- | -- | -- |
| *D08SPB16B | 1.50 [38.1] | 6.13 [155.7] | 4.63 [117.6] | 0.50 [12.7] | 3.53 [89.7] | 5.62 [142.7] | 2.31 [58.7] | 3.44 [87.4] | -- | 1.19 [30.2] | 1.19 [30.2] | 3.44 [87.4] | 3.44 [87.4] | 1.53 [38.9] | 5.16 [131.0] | 0.97 [24.6] | 2.47 [62.7] | 3.66 [92.9] | 4.59 [116.7] | 1.25 [31.8] | 3.38 [85.9] |
| *D08SPB12P, *D08SPB16[M,P,S,T] | 1.50 [38.1] | 6.13 [155.7] | 4.63 [117.6] | 0.50 [12.7] | 3.53 [89.7] | 5.62 [142.7] | 2.31 [58.7] | 3.44 [87.4] | -- | 1.19 [30.2] | 1.19 [30.2] | 3.44 [87.4] | 3.44 [87.4] | 1.66 [42.2] | 4.94 [125.5] | 1.19 [30.2] | 2.59 [65.8] | 3.53 [89.7] | 4.47 [113.5] | 1.25 [31.8] | 3.38 [85.9] |
| *D08SPB20* | 2.00 [50.8] | 7.63 [193.8] | 5.00 [127.0] | 0.38 [9.7] | 4.28 [108.7] | 7.25 [184.2] | 0.38 [9.7] | 3.63 [92.2] | 4.63 [117.6] | 1.44 [36.6] | 1.75 [44.5] | 3.25 [82.6] | 3.56 [90.4] | 1.84 [46.7] | 6.00 [152.4] | 1.63 [41.3] | 3.31 [84.1] | 4.31 [109.5] | 5.78 [146.8] | 1.44 [36.6] | 3.56 [90.4] |

Specifications, descriptions, and dimensional data are subject to correction or change without notice or incurring obligation. Download latest catalog page revisions at www.damanifolds.com.

Ordering Information



| Material | |
|----------|--|
| A | Aluminum - 6061-T6 3000† psi • 20.7 MPa |
| D | Ductile Iron - D4512 5000† psi • 34.5 MPa |

† Working pressure should be considered in accordance with ISO 4413 to determine appropriate material type.

| Product Type | |
|--------------|----------|
| SP | Subplate |

| Port Location | |
|---------------|---|
| SO | Side ported |
| ST | Side P,A,B ports; back T port. Available on 12P, 16P and 16S only |
| B | Back ported |

| Valve Pattern | |
|---------------|---|
| D08 | ISO 4401-08-07 NFPA T3.5.1-D08 See Tech Information |

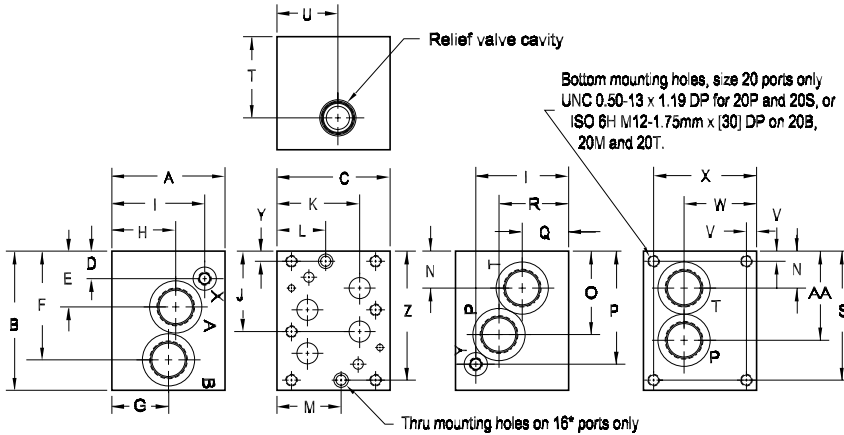
| P, T, A, B Port Threads* | | | | X & Y port size (reference) |
|--------------------------|--------------------------------------|------------|--------------------------------------|--------------------------------------|
| 12P | 0.75-14 NPTF ANSI B1.20.3 | | | 0.25-18 NPTF ANSI B1.20.3 |
| 16P | 1.00-11.5 NPTF ANSI B1.20.3 | 20P | 1.25-11.5 NPTF ANSI B1.20.3 | 0.25-18 NPTF ANSI B1.20.3 |
| 16S | -16 SAE ISO 11926; SAE 1926 | 20S | -20 SAE ISO 11926; SAE 1926 | -6 SAE ISO 11926; SAE 1926 |
| 16B | 1.00-11 BSPP ISO 1179; BS 2779 | 20B | 1.25-11 BSPP ISO 1179; BS 2779 | 0.25-19 BSPP ISO 1179; BS 2779 |
| 16M | M33 x 2.0 ISO 6149 | 20M | M42 x 2.0 ISO 6149 | M14 x 1.5 ISO 6149 |
| 16T | 1.00-11 BSPT ISO 7; BS 21 | 20T | 1.25-11 BSPT ISO 7; BS 21 | 0.25-19 BSPT ISO 7; BS 21 |

* T port is always 1.00-11.5 NPTF on ST models.

D08 Subplates with Relief Valve

Dual Ported Subplate with Main Relief Cavity

Valve mtg: UNC 0.50-13 x 1.19 DP or
Metric M12-1.75mm ISO 6H x [30.2] DP
Subplate hardware kit is supplied.
See page 122 for itemized list.



Note: Certain proportional valves may have ports that interfere with our subplate mounting holes. Consult our technical sales team for information or custom subplate pricing.

| Dimension | A | B | C | D | E | F | G |
|--------------|-----------------|-----------------|-----------------|----------------|----------------|-----------------|----------------|
| *D08SPRVC16* | 3.00 [76.2] | 6.00 [152.4] | 4.50 [114.3] | 0.91 [23.1] | 2.41 [61.2] | 4.53 [115.1] | 1.87 [47.5] |
| *D08SPRVS16* | 3.00 [76.2] | 6.00 [152.4] | 4.50 [114.3] | 0.91 [23.1] | 2.41 [61.2] | 4.53 [115.1] | 1.87 [47.5] |
| *D08SPRV*20* | 4.88 [124.0] | 6.00 [152.4] | 4.88 [124.0] | 1.19 [30.2] | 2.41 [61.2] | 4.69 [119.1] | 2.75 [69.9] |
| *D08SPRV*20M | 4.88 [124.0] | 6.00 [152.4] | 4.88 [124.0] | 1.19 [30.2] | 2.41 [61.2] | 4.69 [119.1] | 2.00 [50.8] |

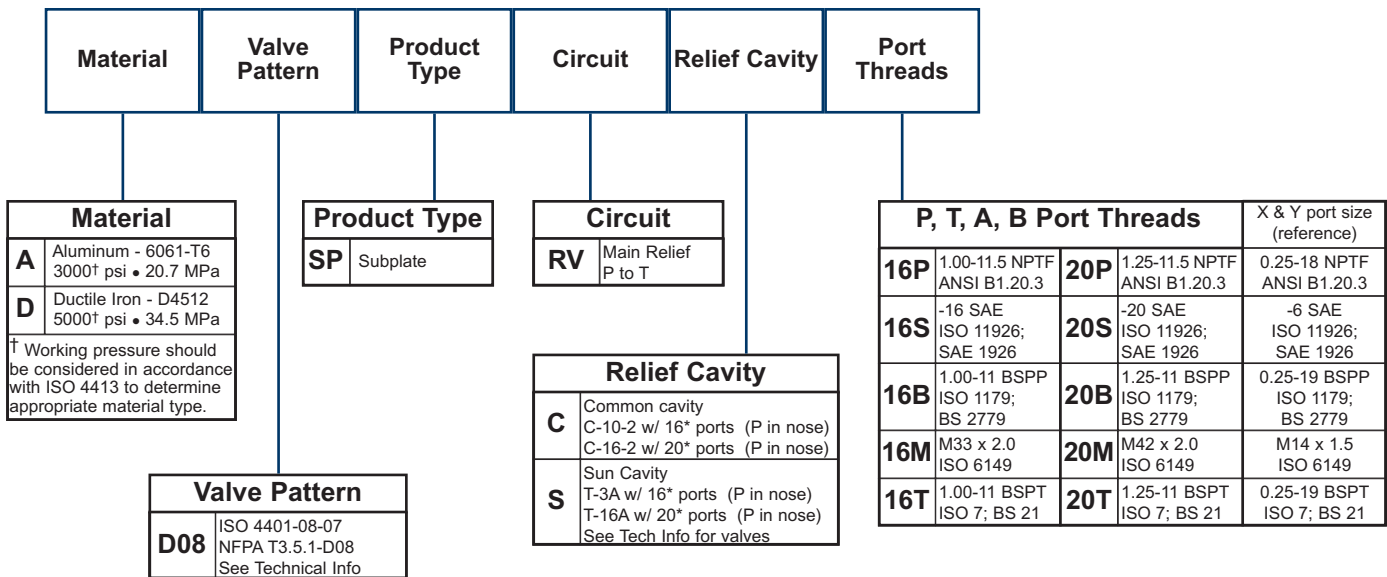
| Dimension | H | I | J | K | L | M | N |
|--------------|----------------|-----------------|----------------|----------------|----------------|----------------|----------------|
| *D08SPRVC16* | 1.87 [47.5] | 1.25 [31.8] | 3.47 [88.1] | 3.38 [85.9] | 1.68 [42.7] | 2.56 [65.0] | 1.47 [37.3] |
| *D08SPRVS16* | 1.87 [47.5] | 1.25 [31.8] | 3.47 [88.1] | 3.38 [85.9] | 1.68 [42.7] | 2.56 [65.0] | 1.47 [37.3] |
| *D08SPRV*20* | 2.75 [69.9] | 4.00 [101.6] | 3.47 [88.1] | 3.56 [90.4] | -- | -- | 1.59 [40.4] |
| *D08SPRV*20M | 2.75 [69.9] | 4.00 [101.6] | 3.47 [88.1] | 3.56 [90.4] | -- | -- | 1.59 [40.4] |

| Dimension | O | P | Q | R | S | T | U |
|--------------|-----------------|-----------------|----------------|----------------|-----------------|----------------|----------------|
| *D08SPRVC16* | 3.59 [91.2] | 5.09 [129.3] | 1.87 [47.5] | 1.87 [47.5] | -- | 1.25 [31.8] | 2.47 [62.7] |
| *D08SPRVS16* | 3.59 [91.2] | 5.09 [129.3] | 1.87 [47.5] | 1.87 [47.5] | -- | 1.87 [47.5] | 2.81 [71.4] |
| *D08SPRV*20* | 3.60 [91.4] | 4.88 [124.0] | 2.00 [50.8] | 3.00 [76.2] | 5.56 [141.2] | 3.50 [88.9] | 2.63 [66.7] |
| *D08SPRV*20M | 4.00 [101.6] | 4.88 [124.0] | 2.00 [50.8] | 2.38 [60.3] | 5.56 [141.2] | 3.50 [88.9] | 2.63 [66.7] |

| Dimension | V | W | X | Y | Z | AA |
|--------------|----------------|----------------|-----------------|----------------|-----------------|-----------------|
| *D08SPRVC16* | -- | 3.50 [88.9] | -- | 0.44 [11.2] | 5.56 [141.2] | 3.59 [91.2] |
| *D08SPRVS16* | -- | 3.50 [88.9] | -- | 0.44 [11.2] | 5.56 [141.2] | 3.59 [91.2] |
| *D08SPRV*20* | 0.44 [11.2] | 3.13 [79.5] | 4.44 [112.8] | -- | -- | 3.84 [97.6] |
| *D08SPRV*20M | 0.44 [11.2] | 3.13 [79.5] | 4.44 [112.8] | -- | -- | 4.00 [101.6] |

Specifications, descriptions, and dimensional data are subject to correction or change without notice or incurring obligation. Download latest catalog page revisions at www.damanifolds.com.

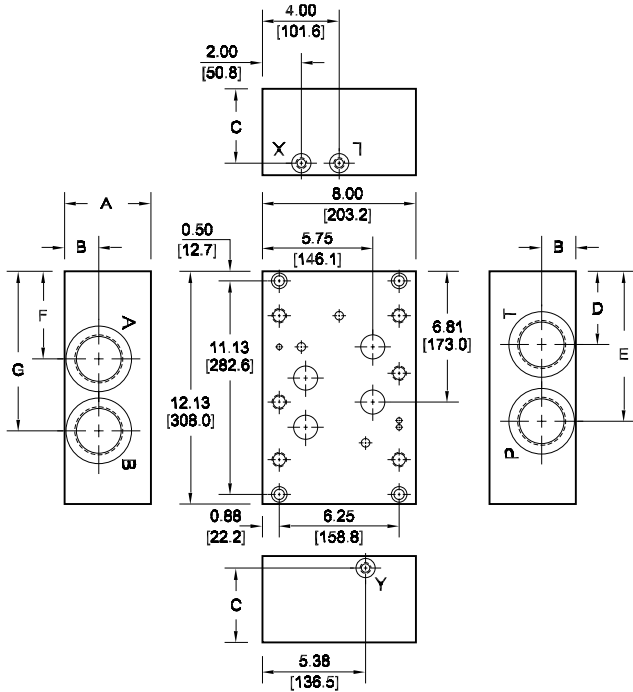
Ordering Information



D10 Subplates

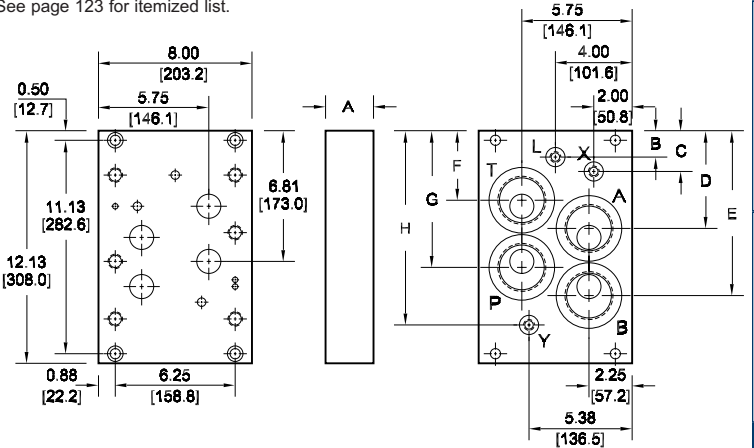
Side Ported Subplate

Valve mtg: UNC 0.75-10 x 1.63 [41.3] DP
 Subplate hardware kit is supplied.
 See page 123 for itemized list.



Back Ported Subplate

Valve mtg: UNC 0.75-10 x 1.63 [41.3] DP
 Subplate hardware kit is supplied.
 See page 123 for itemized list.



| Dimension | A | B | C | D | E | F | G | H |
|-------------|--------------|-------------|--------------|--------------|--------------|--------------|--------------|---------------|
| *D10SPSO20P | 3.50 [88.9] | 1.75 [44.5] | 2.88 [73.0] | 3.81 [96.8] | 7.13 [181.0] | 5.22 [132.6] | 8.31 [211.2] | -- |
| *D10SPSO24* | 4.00 [101.6] | 1.75 [44.5] | 3.38 [85.7] | 3.81 [96.8] | 7.13 [181.0] | 5.22 [132.6] | 8.31 [211.2] | -- |
| *D10SPSO32* | 4.50 [114.3] | 1.78 [45.2] | 3.88 [98.4] | 3.81 [96.8] | 7.81 [198.4] | 4.56 [115.9] | 8.31 [211.2] | -- |
| *D10SPB20P | 2.00 [50.8] | 2.31 [58.7] | 3.94 [100.0] | 5.81 [147.6] | 8.61 [218.7] | 3.94 [100.0] | 6.81 [173.0] | 8.94 [227.0] |
| *D10SPB24* | 2.50 [63.5] | 1.38 [34.9] | 2.13 [54.0] | 5.09 [129.4] | 8.59 [218.3] | 3.63 [92.1] | 7.13 [181.0] | 10.13 [257.2] |

Specifications, descriptions, and dimensional data are subject to correction or change without notice or incurring obligation.
 Download latest catalog page revisions at www.damanifolds.com.

Ordering Information

| Material | Valve Pattern | Product Type | Port Location | Port Threads |
|----------|---------------|--------------|---------------|--------------|
|----------|---------------|--------------|---------------|--------------|

| Material | |
|----------|--|
| A | Aluminum - 6061-T6 3000† psi • 20.7 MPa |
| D | Ductile Iron - D4512 5000† psi • 34.5 MPa |

† Working pressure should be considered in accordance with ISO 4413 to determine appropriate material type.

| Product Type | |
|--------------|----------|
| SP | Subplate |

| P, T, A, B Port Threads | | | | X, Y, & L port size (reference) | |
|-------------------------|-----------------------------------|------------|-----------------------------------|----------------------------------|--|
| 20P | 1.25-11.5 NPTF ANSI B1.20.3 | | | 0.38-18 NPTF ANSI B1.20.3 | |
| 24P | 1.50-11.5 NPTF ANSI B1.20.3 | 32P | 2.00-11.5 NPTF ANSI B1.20.3 | 0.38-18 NPTF ANSI B1.20.3 | |
| 24S | -24 SAE ISO 11926; SAE 1926 | 32S | -32 SAE ISO 11926; SAE 1926 | -6 SAE ISO 11926; SAE 1926 | |

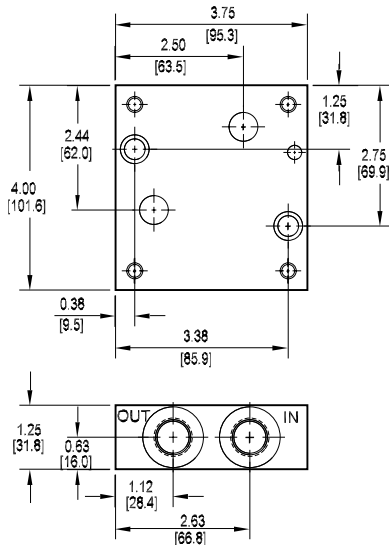
| Valve Pattern | |
|---------------|--|
| D10 | ISO 4401-10-08 NFFPA T3.5.1-D10 See Tech Information |

| Port Location | |
|---------------|-------------|
| SO | Side ported |
| B | Back ported |

2F06, 2F07 Flow Control Subplates

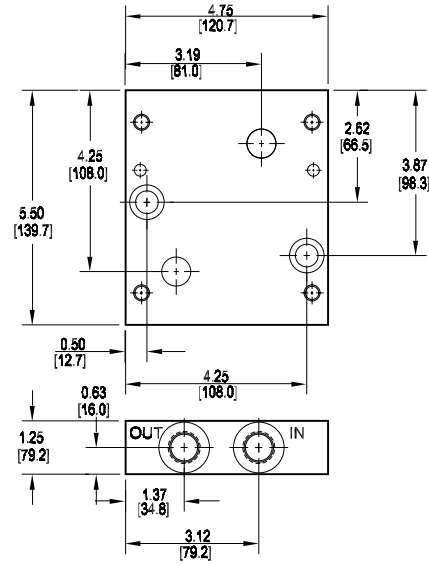
2F06 Side Ported Subplate

Valve mtg: UNC 0.31-18 x 0.88 DP
 Subplate hardware kit is supplied.
 See page 123 for itemized list.



2F07 Side Ported Subplate

Valve mtg: UNC 0.38-16 x 1.00 DP
 Subplate hardware kit is supplied.
 See page 123 for itemized list.



Specifications, descriptions, and dimensional data are subject to correction or change without notice or incurring obligation. Download latest catalog page revisions at www.damanifolds.com.

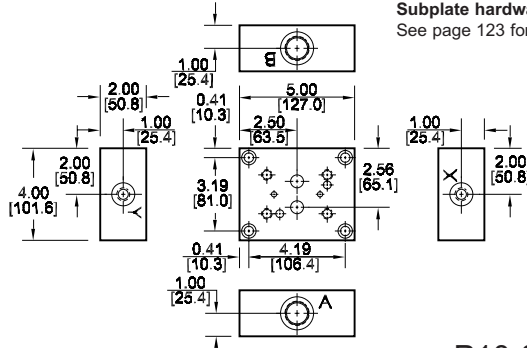
Ordering Information

| Material | Valve Pattern | Product Type | Port Location | Port Threads | | | | | | | | | | | | | | | | | | | | | | | | | | | | | | | | | | |
|--|---|--------------|---------------|--|----------|--|---|--|---|---------------|--|-------------|---|-------------|---|--|--------------|--|-----------|----------|---|---------------|--|----------|-------------|---|--------------|--|-----------|--|-----------|------------------------------|--------------|--|-----------|------------------------------|-----------|-------------------------------|
| <table border="1"> <thead> <tr> <th colspan="2">Material</th> </tr> </thead> <tbody> <tr> <td>A</td> <td>Aluminum - 6061-T6 3000† psi • 20.7 MPa</td> </tr> <tr> <td>D</td> <td>Ductile Iron - D4512 5000† psi • 34.5 MPa</td> </tr> <tr> <td colspan="2">† Working pressure should be considered in accordance with ISO 4413 to determine appropriate material type.</td> </tr> </tbody> </table> | Material | | A | Aluminum - 6061-T6 3000† psi • 20.7 MPa | D | Ductile Iron - D4512 5000† psi • 34.5 MPa | † Working pressure should be considered in accordance with ISO 4413 to determine appropriate material type. | | <table border="1"> <thead> <tr> <th colspan="2">Valve Pattern</th> </tr> </thead> <tbody> <tr> <td>2F06</td> <td>ISO 6263-06-05 NFFPA T3.5.1-2F06 See Tech Information</td> </tr> <tr> <td>2F07</td> <td>ISO 6263-07-09 NFFPA T3.5.1-2F07 See Tech Information</td> </tr> </tbody> </table> | Valve Pattern | | 2F06 | ISO 6263-06-05 NFFPA T3.5.1-2F06 See Tech Information | 2F07 | ISO 6263-07-09 NFFPA T3.5.1-2F07 See Tech Information | <table border="1"> <thead> <tr> <th colspan="2">Product Type</th> </tr> </thead> <tbody> <tr> <td>SP</td> <td>Subplate</td> </tr> </tbody> </table> | Product Type | | SP | Subplate | <table border="1"> <thead> <tr> <th colspan="2">Port Location</th> </tr> </thead> <tbody> <tr> <td>S</td> <td>Side ported</td> </tr> </tbody> </table> | Port Location | | S | Side ported | <table border="1"> <thead> <tr> <th colspan="2">Port Threads</th> </tr> </thead> <tbody> <tr> <td colspan="2">2F06 only</td> </tr> <tr> <td>6P</td> <td>0.38-18 NPTF ANSI B1.20.3</td> </tr> <tr> <td colspan="2">2F06 or 2F07</td> </tr> <tr> <td>8P</td> <td>0.50-14 NPTF ANSI B1.20.3</td> </tr> <tr> <td>8S</td> <td>-8 SAE ISO 11926; SAE 1926</td> </tr> </tbody> </table> | Port Threads | | 2F06 only | | 6P | 0.38-18 NPTF ANSI B1.20.3 | 2F06 or 2F07 | | 8P | 0.50-14 NPTF ANSI B1.20.3 | 8S | -8 SAE ISO 11926; SAE 1926 |
| Material | | | | | | | | | | | | | | | | | | | | | | | | | | | | | | | | | | | | | | |
| A | Aluminum - 6061-T6 3000† psi • 20.7 MPa | | | | | | | | | | | | | | | | | | | | | | | | | | | | | | | | | | | | | |
| D | Ductile Iron - D4512 5000† psi • 34.5 MPa | | | | | | | | | | | | | | | | | | | | | | | | | | | | | | | | | | | | | |
| † Working pressure should be considered in accordance with ISO 4413 to determine appropriate material type. | | | | | | | | | | | | | | | | | | | | | | | | | | | | | | | | | | | | | | |
| Valve Pattern | | | | | | | | | | | | | | | | | | | | | | | | | | | | | | | | | | | | | | |
| 2F06 | ISO 6263-06-05 NFFPA T3.5.1-2F06 See Tech Information | | | | | | | | | | | | | | | | | | | | | | | | | | | | | | | | | | | | | |
| 2F07 | ISO 6263-07-09 NFFPA T3.5.1-2F07 See Tech Information | | | | | | | | | | | | | | | | | | | | | | | | | | | | | | | | | | | | | |
| Product Type | | | | | | | | | | | | | | | | | | | | | | | | | | | | | | | | | | | | | | |
| SP | Subplate | | | | | | | | | | | | | | | | | | | | | | | | | | | | | | | | | | | | | |
| Port Location | | | | | | | | | | | | | | | | | | | | | | | | | | | | | | | | | | | | | | |
| S | Side ported | | | | | | | | | | | | | | | | | | | | | | | | | | | | | | | | | | | | | |
| Port Threads | | | | | | | | | | | | | | | | | | | | | | | | | | | | | | | | | | | | | | |
| 2F06 only | | | | | | | | | | | | | | | | | | | | | | | | | | | | | | | | | | | | | | |
| 6P | 0.38-18 NPTF ANSI B1.20.3 | | | | | | | | | | | | | | | | | | | | | | | | | | | | | | | | | | | | | |
| 2F06 or 2F07 | | | | | | | | | | | | | | | | | | | | | | | | | | | | | | | | | | | | | | |
| 8P | 0.50-14 NPTF ANSI B1.20.3 | | | | | | | | | | | | | | | | | | | | | | | | | | | | | | | | | | | | | |
| 8S | -8 SAE ISO 11926; SAE 1926 | | | | | | | | | | | | | | | | | | | | | | | | | | | | | | | | | | | | | |

P06, P08, P10 Pressure Control Subplates

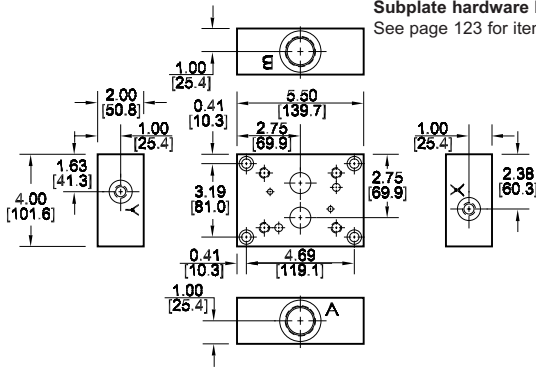
P06 Side Ported Subplate

Valve mtg: UNC 0.38-16 x 1.00 [25] DP
 X & Y Ports: 0.38-18 NPTF or -6 SAE.
 Subplate hardware kit is supplied.
 See page 123 for itemized list.



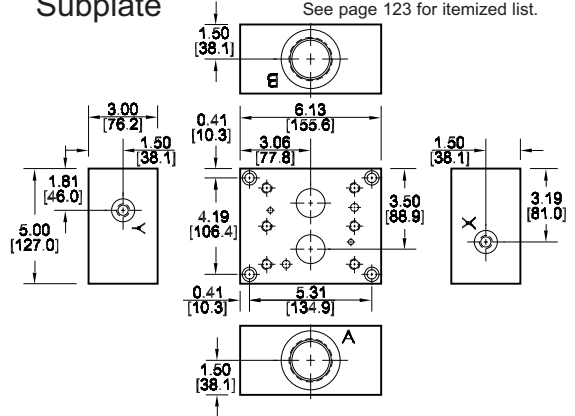
P08 Side Ported Subplate

Valve mtg: UNC 0.38-16 x 1.00 [25] DP
 X & Y Ports: 0.38-18 NPTF or -6 SAE.
 Subplate hardware kit is supplied.
 See page 123 for itemized list.



P10 Side Ported Subplate

Valve mtg: UNC 0.38-16 x 1.00 [25] DP
 X & Y Ports: 0.38-18 NPTF or -6 SAE.
 Subplate hardware kit is supplied.
 See page 123 for itemized list.



Specifications, descriptions, and dimensional data are subject to correction or change without notice or incurring obligation.
 Download latest catalog page revisions at www.damanifolds.com.

Ordering Information

| Material | Valve Pattern | Product Type | Port Location | Port Threads |
|----------|---------------|--------------|---------------|--------------|
|----------|---------------|--------------|---------------|--------------|

| Material | |
|----------|--|
| A | Aluminum - 6061-T6 3000† psi • 20.7 MPa |
| D | Ductile Iron - D4512 5000† psi • 34.5 MPa |

† Working pressure should be considered in accordance with ISO 4413 to determine appropriate material type.

| Valve Pattern | |
|---------------|---|
| P06 | ISO 6264-06-07 ISO 5781-06-07 NFFPA T3.5.1-[R]P06 See Tech Information |
| P08 | ISO 6264-08-11 ISO 5781-08-10 NFFPA T3.5.1-[R]P08 See Tech Information |
| P10 | ISO 6264-10-15 ISO 5781-10-13 NFFPA T3.5.1-[R]P10 See Tech Information |

| Port Location | |
|---------------|-------------|
| S | Side ported |

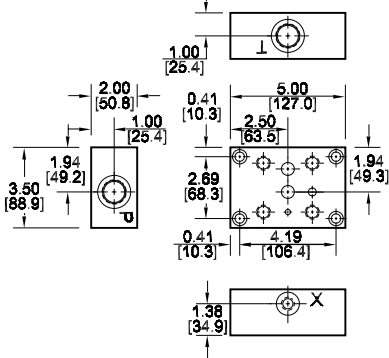
| Product Type | |
|--------------|----------|
| SP | Subplate |

| Port Threads | | | |
|--------------|--------------------------------|------------|--------------------------------|
| P06 only | | | |
| 08P | 0.50-14 NPTF ANSI B1.20.3 | 08S | -8 SAE ISO 11926; SAE 1926 |
| P06 or P08 | | | |
| 12P | 0.75-14 NPTF ANSI B1.20.3 | 12S | -12 SAE ISO 11926; SAE 1926 |
| P08 only | | | |
| 16P | 1.00-11.5 NPTF ANSI B1.20.3 | 16S | -16 SAE ISO 11926; SAE 1926 |
| P10 only | | | |
| 20P | 1.25-11.5 NPTF ANSI B1.20.3 | 20S | -20 SAE ISO 11926; SAE 1926 |
| 24P | 1.50-11.5 NPTF ANSI B1.20.3 | 24S | -24 SAE ISO 11926; SAE 1926 |

R06, R08, I08, R10, I10 Relief Valve Subplates

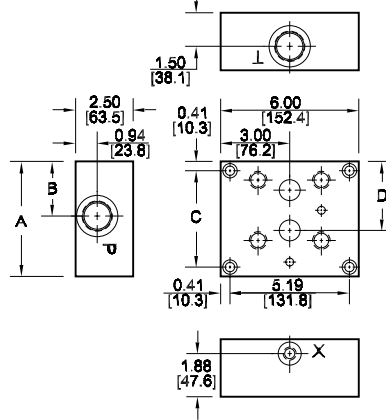
R06 (I06) Side Ported Subplate

Valve mtg: UNC 0.50-13 x 1.00 [25] DP
 X Port: 0.38-18 NPTF or -6 SAE.
 Subplate hardware kit is supplied.
 See page 123 for itemized list.



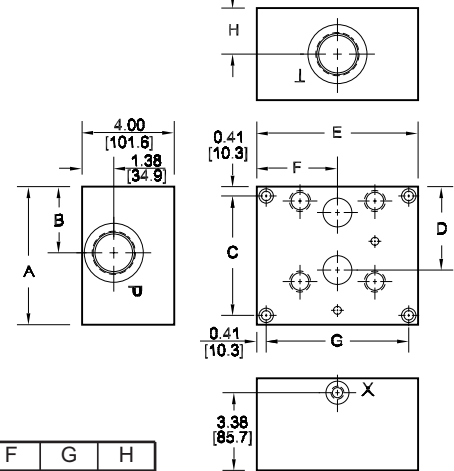
R08, I08 Side Ported Subplate

Valve mtg: UNC 0.63-11 x 1.44 [36] DP
 X Port: 0.38-18 NPTF or -6 SAE.
 Subplate hardware kit is supplied.
 See page 123 for itemized list.



R10, I10 Side Ported Subplate

Valve mtg: UNC 0.75-10 x 1.63 [41] DP
 X Port: 0.38-18 NPTF or -6 SAE.
 Subplate hardware kit is supplied.
 See page 123 for itemized list.



| Dimension | A | B | C | D | E | F | G | H |
|------------|---------|--------|---------|--------|---------|--------|---------|--------|
| *R08SPS12* | 5.00 | 2.38 | 4.19 | 3.00 | -- | -- | -- | -- |
| *R08SPS16* | [127.0] | [60.3] | [106.4] | [76.2] | -- | -- | -- | -- |
| *I08SPS12* | 4.50 | 2.44 | 3.69 | 2.75 | -- | -- | -- | -- |
| *I08SPS16* | [114.3] | [61.9] | [93.7] | [69.9] | -- | -- | -- | -- |
| *R10SPS20* | 6.00 | 2.88 | 5.19 | 3.63 | 7.00 | 3.50 | 6.19 | 2.00 |
| *R10SPS24* | [152.4] | [73.0] | [131.8] | [92.1] | [177.8] | [88.9] | [157.2] | [50.8] |
| *I10SPS20* | 5.00 | 2.38 | 4.19 | 3.06 | 7.38 | 3.69 | 6.56 | 2.63 |
| *I10SPS24* | [127.0] | [60.3] | [106.4] | [77.8] | [187.3] | [93.7] | [166.7] | [66.7] |

Specifications, descriptions, and dimensional data are subject to correction or change without notice or incurring obligation.
 Download latest catalog page revisions at www.damanifolds.com.

Ordering Information

| Material | Valve Pattern | Product Type | Port Location | Port Threads | | | | | | | | | | | | | | | | | | | | | | | | | | | | | | | | | | | | | | | | | | | | | | | | | | | | | | | | | | | | | | | | | | | | |
|--|---|--------------|--------------------------------|--|----------|--|---|--|---|---------------|--|------------|---|------------|---|------------|--|------------|---|------------|--|--|--------------|--|-----------|----------|---|---------------|--|----------|-------------|--|--------------|--|--|--|-----------------|--|--|--|------------|------------------------------|------------|-------------------------------|-------------------------|--|--|--|------------|------------------------------|------------|--------------------------------|-------------------|--|--|--|------------|--------------------------------|------------|--------------------------------|-------------------|--|--|--|------------|--------------------------------|------------|--------------------------------|------------|--------------------------------|------------|--------------------------------|
| <table border="1"> <thead> <tr> <th colspan="2">Material</th> </tr> </thead> <tbody> <tr> <td>A</td> <td>Aluminum - 6061-T6 3000† psi • 20.7 MPa</td> </tr> <tr> <td>D</td> <td>Ductile Iron - D4512 5000† psi • 34.5 MPa</td> </tr> <tr> <td colspan="2">† Working pressure should be considered in accordance with ISO 4413 to determine appropriate material type.</td> </tr> </tbody> </table> | Material | | A | Aluminum - 6061-T6 3000† psi • 20.7 MPa | D | Ductile Iron - D4512 5000† psi • 34.5 MPa | † Working pressure should be considered in accordance with ISO 4413 to determine appropriate material type. | | <table border="1"> <thead> <tr> <th colspan="2">Valve Pattern</th> </tr> </thead> <tbody> <tr> <td>R06</td> <td>ISO 6264-06-09 NFPA T3.5.1-R06 See Tech Information</td> </tr> <tr> <td>R08</td> <td>ISO 6264-08-13 NFPA T3.5.1-R08 See Tech Information</td> </tr> <tr> <td>I08</td> <td>NFPA T3.5.1-RV08 See Tech Information</td> </tr> <tr> <td>R10</td> <td>ISO 6264-10-17 NFPA T3.5.1-R10 See Tech Information</td> </tr> <tr> <td>I10</td> <td>NFPA T3.5.1-RV10 See Tech Information</td> </tr> </tbody> </table> | Valve Pattern | | R06 | ISO 6264-06-09 NFPA T3.5.1-R06 See Tech Information | R08 | ISO 6264-08-13 NFPA T3.5.1-R08 See Tech Information | I08 | NFPA T3.5.1-RV08 See Tech Information | R10 | ISO 6264-10-17 NFPA T3.5.1-R10 See Tech Information | I10 | NFPA T3.5.1-RV10 See Tech Information | <table border="1"> <thead> <tr> <th colspan="2">Product Type</th> </tr> </thead> <tbody> <tr> <td>SP</td> <td>Subplate</td> </tr> </tbody> </table> | Product Type | | SP | Subplate | <table border="1"> <thead> <tr> <th colspan="2">Port Location</th> </tr> </thead> <tbody> <tr> <td>S</td> <td>Side ported</td> </tr> </tbody> </table> | Port Location | | S | Side ported | <table border="1"> <thead> <tr> <th colspan="4">Port Threads</th> </tr> </thead> <tbody> <tr> <td colspan="4" style="text-align: center;">R06 only</td> </tr> <tr> <td>08P</td> <td>0.50-14 NPTF ANSI B1.20.3</td> <td>08S</td> <td>-8 SAE ISO 11926; SAE 1926</td> </tr> <tr> <td colspan="4" style="text-align: center;">R06, R08, or I08</td> </tr> <tr> <td>12P</td> <td>0.75-14 NPTF ANSI B1.20.3</td> <td>12S</td> <td>-12 SAE ISO 11926; SAE 1926</td> </tr> <tr> <td colspan="4" style="text-align: center;">R08 or I08</td> </tr> <tr> <td>16P</td> <td>1.00-11.5 NPTF ANSI B1.20.3</td> <td>16S</td> <td>-16 SAE ISO 11926; SAE 1926</td> </tr> <tr> <td colspan="4" style="text-align: center;">R10 or I10</td> </tr> <tr> <td>20P</td> <td>1.25-11.5 NPTF ANSI B1.20.3</td> <td>20S</td> <td>-20 SAE ISO 11926; SAE 1926</td> </tr> <tr> <td>24P</td> <td>1.50-11.5 NPTF ANSI B1.20.3</td> <td>24S</td> <td>-24 SAE ISO 11926; SAE 1926</td> </tr> </tbody> </table> | Port Threads | | | | R06 only | | | | 08P | 0.50-14 NPTF ANSI B1.20.3 | 08S | -8 SAE ISO 11926; SAE 1926 | R06, R08, or I08 | | | | 12P | 0.75-14 NPTF ANSI B1.20.3 | 12S | -12 SAE ISO 11926; SAE 1926 | R08 or I08 | | | | 16P | 1.00-11.5 NPTF ANSI B1.20.3 | 16S | -16 SAE ISO 11926; SAE 1926 | R10 or I10 | | | | 20P | 1.25-11.5 NPTF ANSI B1.20.3 | 20S | -20 SAE ISO 11926; SAE 1926 | 24P | 1.50-11.5 NPTF ANSI B1.20.3 | 24S | -24 SAE ISO 11926; SAE 1926 |
| Material | | | | | | | | | | | | | | | | | | | | | | | | | | | | | | | | | | | | | | | | | | | | | | | | | | | | | | | | | | | | | | | | | | | | | | | | |
| A | Aluminum - 6061-T6 3000† psi • 20.7 MPa | | | | | | | | | | | | | | | | | | | | | | | | | | | | | | | | | | | | | | | | | | | | | | | | | | | | | | | | | | | | | | | | | | | | | | | |
| D | Ductile Iron - D4512 5000† psi • 34.5 MPa | | | | | | | | | | | | | | | | | | | | | | | | | | | | | | | | | | | | | | | | | | | | | | | | | | | | | | | | | | | | | | | | | | | | | | | |
| † Working pressure should be considered in accordance with ISO 4413 to determine appropriate material type. | | | | | | | | | | | | | | | | | | | | | | | | | | | | | | | | | | | | | | | | | | | | | | | | | | | | | | | | | | | | | | | | | | | | | | | | |
| Valve Pattern | | | | | | | | | | | | | | | | | | | | | | | | | | | | | | | | | | | | | | | | | | | | | | | | | | | | | | | | | | | | | | | | | | | | | | | | |
| R06 | ISO 6264-06-09 NFPA T3.5.1-R06 See Tech Information | | | | | | | | | | | | | | | | | | | | | | | | | | | | | | | | | | | | | | | | | | | | | | | | | | | | | | | | | | | | | | | | | | | | | | | |
| R08 | ISO 6264-08-13 NFPA T3.5.1-R08 See Tech Information | | | | | | | | | | | | | | | | | | | | | | | | | | | | | | | | | | | | | | | | | | | | | | | | | | | | | | | | | | | | | | | | | | | | | | | |
| I08 | NFPA T3.5.1-RV08 See Tech Information | | | | | | | | | | | | | | | | | | | | | | | | | | | | | | | | | | | | | | | | | | | | | | | | | | | | | | | | | | | | | | | | | | | | | | | |
| R10 | ISO 6264-10-17 NFPA T3.5.1-R10 See Tech Information | | | | | | | | | | | | | | | | | | | | | | | | | | | | | | | | | | | | | | | | | | | | | | | | | | | | | | | | | | | | | | | | | | | | | | | |
| I10 | NFPA T3.5.1-RV10 See Tech Information | | | | | | | | | | | | | | | | | | | | | | | | | | | | | | | | | | | | | | | | | | | | | | | | | | | | | | | | | | | | | | | | | | | | | | | |
| Product Type | | | | | | | | | | | | | | | | | | | | | | | | | | | | | | | | | | | | | | | | | | | | | | | | | | | | | | | | | | | | | | | | | | | | | | | | |
| SP | Subplate | | | | | | | | | | | | | | | | | | | | | | | | | | | | | | | | | | | | | | | | | | | | | | | | | | | | | | | | | | | | | | | | | | | | | | | |
| Port Location | | | | | | | | | | | | | | | | | | | | | | | | | | | | | | | | | | | | | | | | | | | | | | | | | | | | | | | | | | | | | | | | | | | | | | | | |
| S | Side ported | | | | | | | | | | | | | | | | | | | | | | | | | | | | | | | | | | | | | | | | | | | | | | | | | | | | | | | | | | | | | | | | | | | | | | | |
| Port Threads | | | | | | | | | | | | | | | | | | | | | | | | | | | | | | | | | | | | | | | | | | | | | | | | | | | | | | | | | | | | | | | | | | | | | | | | |
| R06 only | | | | | | | | | | | | | | | | | | | | | | | | | | | | | | | | | | | | | | | | | | | | | | | | | | | | | | | | | | | | | | | | | | | | | | | | |
| 08P | 0.50-14 NPTF ANSI B1.20.3 | 08S | -8 SAE ISO 11926; SAE 1926 | | | | | | | | | | | | | | | | | | | | | | | | | | | | | | | | | | | | | | | | | | | | | | | | | | | | | | | | | | | | | | | | | | | | | |
| R06, R08, or I08 | | | | | | | | | | | | | | | | | | | | | | | | | | | | | | | | | | | | | | | | | | | | | | | | | | | | | | | | | | | | | | | | | | | | | | | | |
| 12P | 0.75-14 NPTF ANSI B1.20.3 | 12S | -12 SAE ISO 11926; SAE 1926 | | | | | | | | | | | | | | | | | | | | | | | | | | | | | | | | | | | | | | | | | | | | | | | | | | | | | | | | | | | | | | | | | | | | | |
| R08 or I08 | | | | | | | | | | | | | | | | | | | | | | | | | | | | | | | | | | | | | | | | | | | | | | | | | | | | | | | | | | | | | | | | | | | | | | | | |
| 16P | 1.00-11.5 NPTF ANSI B1.20.3 | 16S | -16 SAE ISO 11926; SAE 1926 | | | | | | | | | | | | | | | | | | | | | | | | | | | | | | | | | | | | | | | | | | | | | | | | | | | | | | | | | | | | | | | | | | | | | |
| R10 or I10 | | | | | | | | | | | | | | | | | | | | | | | | | | | | | | | | | | | | | | | | | | | | | | | | | | | | | | | | | | | | | | | | | | | | | | | | |
| 20P | 1.25-11.5 NPTF ANSI B1.20.3 | 20S | -20 SAE ISO 11926; SAE 1926 | | | | | | | | | | | | | | | | | | | | | | | | | | | | | | | | | | | | | | | | | | | | | | | | | | | | | | | | | | | | | | | | | | | | | |
| 24P | 1.50-11.5 NPTF ANSI B1.20.3 | 24S | -24 SAE ISO 11926; SAE 1926 | | | | | | | | | | | | | | | | | | | | | | | | | | | | | | | | | | | | | | | | | | | | | | | | | | | | | | | | | | | | | | | | | | | | | |

Subplate Mounting Hardware

| Part no. | Cat. pg. | Mounting Screws | Plugs |
|------------------------------|----------|----------------------------------|-----------------------------|
| * D02 SP * 4P, 4S | 101 | (2) UNC 0.25-20 x 0.88 long SHCS | n/a |
| * D02 SP * 4B, 4M, 4T | 101 | (2) ISO 6H M6-1.0 x 22mm SHCS | n/a |
| * D03 SP * 4P, 6P, 6S | 102 | (2) UNC 0.25-20 x 0.88 long SHCS | n/a |
| * D03 SP * 6B, 6M, 6T | 102 | (2) ISO 6H M6-1.0 x 22mm SHCS | n/a |
| * D03 SP * 8P, 8S | 102 | (2) UNC 0.25-20 x 1.50 long SHCS | n/a |
| * D03 SP * 8B, 8M, 8T | 102 | (2) ISO 6H M6-1.0 x 40mm SHCS | n/a |
| * D03 SP S 12P, 12S | 102 | (2) UNC 0.38-16 x 1.75 long SHCS | n/a |
| * D03 SP S 12B, 12M, 12T | 102 | (2) ISO 6H M10-1.5 x 45mm SHCS | n/a |
| * D03 SP B 12P, 12S | 102 | (2) UNC 0.38-16 x 1.50 long SHCS | n/a |
| * D03 SP B 12B, 12M, 12T | 102 | (2) ISO 6H M10-1.5 x 40mm SHCS | n/a |
| * D03 SP SB 6P | 103 | (2) UNC 0.25-20 x 1.50 long SHCS | (2) 0.38-18 NPTF LSPP |
| * D03 SP SB 6S | 103 | | (2) -6 SAE hex socket plug |
| * D03 SP SB 6B, 6M, 6T | 103 | (2) ISO 6H M6-1.0 x 40mm SHCS | n/a |
| * D03 SP SB 8P | 103 | (2) UNC 0.25-20 x 2.00 long SHCS | (2) 0.50-14 NPTF LSPP |
| * D03 SP SB 8S | 103 | | (2) -8 SAE hex socket plug |
| * D03 SP SB 8B, 8M, 8T | 103 | (2) ISO 6H M6-1.0 x 50mm SHCS | n/a |
| * D03 SP M 8* | 103 | (4) UNC 0.31-18 x 2.50 long SHCS | n/a |
| * D03 SP RV * 6P | 104 | (2) UNC 0.31-18 x 2.25 long SHCS | (2) 0.38-18 NPTF LSPP |
| * D03 SP RV * 6S | 104 | | (2) -6 SAE hex socket plug |
| * D03 SP RV * 6B, 6M, 6T | 104 | (2) ISO 6H M8-1.25 x 60mm SHCS | n/a |
| * D03 SP RV * 8P | 104 | (2) UNC 0.38-16 x 3.00 long SHCS | (2) 0.50-14 NPTF LSPP |
| * D03 SP RV * 8S | 104 | | (2) -8 SAE hex socket plug |
| * D03 SP RV * 8B, 8M, 8T | 104 | (2) ISO 6H M10-1.5 x 75mm SHCS | n/a |
| * D03 SP RV * 12P | 104 | (2) UNC 0.38-16 x 3.00 long SHCS | (2) 0.75-14 NPTF LSPP |
| * D03 SP RV * 12S | 104 | | (2) -12 SAE hex socket plug |
| * D03 SP RV * 12B, 12M, 12T | 104 | (2) ISO 6H M10-1.5 x 75mm SHCS | n/a |
| * D03 SP CR * 6P, 6S | 105 | (2) UNC 0.31-18 x 2.50 long SHCS | n/a |
| * D03 SP CR * 6B, 6M, 6T | 105 | (2) ISO 6H M8-1.25 x 65mm SHCS | n/a |
| * D03 SP CR * 12P, 12S | 105 | (2) UNC 0.38-16 x 4.00 long SHCS | n/a |
| * D03 SP CR * 12B, 12M, 12T | 105 | (2) ISO 6H M10-1.5 x 100mm SHCS | n/a |
| * D05 SP S 6P, 8P, 8S | 106 | (2) UNC 0.38-16 x 1.25 long SHCS | n/a |
| * D05 SP S 8B, 8M, 8T | 106 | (2) ISO 6H M10-1.5 x 35mm SHCS | n/a |
| * D05 SP B 6P, 8P, 8S | 106 | (2) UNC 0.38-16 x 1.25 long SHCS | n/a |
| * D05 SP B 8B, 8M, 8T | 106 | (2) ISO 6H M10-1.5 x 35mm SHCS | n/a |
| * D05 SP SB 8P | 107 | (2) UNC 0.38-16 x 1.50 long SHCS | (2) 0.50-14 NPTF LSPP |
| * D05 SP SB 8S | 107 | | (2) -8 SAE hex socket plug |
| * D05 SP SB 8B, 8M, 8T | 107 | (2) ISO 6H M10-1.5 x 40mm SHCS | n/a |
| * D05H(E) SP * 12P, 12S | 108, 109 | (2) UNC 0.38-16 x 1.75 long SHCS | n/a |
| * D05H(E) SP * 12B, 12M, 12T | 108, 109 | (2) ISO 6H M10-1.5 x 45mm SHCS | n/a |
| * D05J(E) SP S 16P, 16S | 108, 109 | (2) UNC 0.38-16 x 3.00 long SHCS | n/a |
| * D05J(E) SP S 16B, 16M, 16T | 108, 109 | (2) ISO 6H M10-1.5 x 75mm SHCS | n/a |
| * D05J(E) SP B 16P, 16S | 108, 109 | (2) UNC 0.38-16 x 3.25 long SHCS | n/a |
| * D05J(E) SP B 16B, 16M, 16T | 108, 109 | (2) ISO 6H M10-1.5 x 90mm SHCS | n/a |
| * D05 SP RV * 8P | 110 | (2) UNC 0.38-16 x 2.50 long SHCS | (2) 0.50-14 NPTF LSPP |
| * D05 SP RV * 8S | 110 | | (2) -8 SAE hex socket plug |
| * D05 SP RV * 8B, 8M, 8T | 110 | (2) ISO 6H M10-1.5 x 65mm SHCS | n/a |
| * D05H SP RV * 12P | 111 | | (2) 0.25-18 NPTF LSPP |
| | | | (2) 0.75-14 NPTF LSPP |
| * D05H SP RV * 12S | 111 | (2) UNC 0.38-16 x 3.00 long SHCS | (2) -4 SAE hex socket plug |
| | | | (2) -12 SAE hex socket plug |
| * D05H SP RV * 12B, 12M, 12T | 111 | (2) ISO 6H M10-1.5 x 75mm SHCS | n/a |

Subplate Mounting Hardware

| Part no. | Cat. pg. | Mounting Screws | Plugs |
|------------------------------|----------|----------------------------------|-----------------------------|
| * D05J SP RV * 16P | 111 | | (2) 0.25-18 NPTF LSPP |
| * D05J SP RV * 16S | 111 | (2) UNC 0.38-16 x 4.00 long SHCS | (2) 1.00-11.5 NPTF LSPP |
| * D05J SP RV * 16B, 16M, 16T | 111 | (2) ISO 6H M10-1.5 x 100mm SHCS | (2) -4 SAE hex socket plug |
| | | | (2) -16 SAE hex socket plug |
| * D05 SP CR * 8P, 8S | 110 | (2) UNC 0.38-16 x 2.00 long SHCS | n/a |
| * D05 SP CR * 8B, 8M, 8T | 110 | (2) ISO 6H M10-1.5 x 50mm SHCS | n/a |
| * D05H SP CR * 12P | 112 | (2) UNC 0.38-16 x 4.50 long SHCS | (2) 0.25-18 NPTF LSPP |
| * D05H SP CR * 12S | 112 | | (2) -4 SAE hex socket plug |
| * D05H SP CR * 12B, 12M, 12T | 112 | (2) ISO 6H M10-1.5 x 120mm SHCS | n/a |
| * D05J SP CR * 16P | 112 | (2) UNC 0.38-16 x 4.50 long SHCS | (2) 0.25-18 NPTF LSPP |
| * D05J SP CR * 16S | 112 | | (2) -4 SAE hex socket plug |
| * D05J SP CR * 16B, 16M, 16T | 112 | (2) ISO 6H M10-1.5 x 120mm SHCS | n/a |
| * D07 SP S* 12P, 12S | 113 | (2) UNC 0.38-16 x 1.25 long SHCS | n/a |
| * D07 SP S* 12B, 12M, 12T | 113 | (2) ISO 6H M10-1.5 x 35mm SHCS | n/a |
| * D07 SP SO 16P, 16S | 113 | (2) UNC 0.38-16 x 3.00 long SHCS | n/a |
| * D07 SP SO 16B, 16M, 16T | 113 | (2) ISO 6H M10-1.5 x 75mm SHCS | n/a |
| * D07 SP B 12P, 12S | 113 | (2) UNC 0.38-16 x 1.50 long SHCS | n/a |
| * D07 SP B 12B, 12M, 12T | 113 | (2) ISO 6H M10-1.5 x 35mm SHCS | n/a |
| * D07 SP B 16P, 16S | 113 | (2) UNC 0.38-16 x 2.75 long SHCS | n/a |
| * D07 SP B 16B, 16M, 16T | 113 | (2) ISO 6H M10-1.5 x 70mm SHCS | n/a |
| * D07 SP RV C 12P | 114 | (2) UNC 0.38-16 x 2.75 long SHCS | (2) 0.75-14 NPTF LSPP |
| * D07 SP RV C 12S | 114 | | (2) -12 SAE hex socket plug |
| * D07 SP RV C 12B, 12M, 12T | 114 | (2) ISO 6H M10-1.5 x 70mm SHCS | n/a |
| * D07 SP RV S 12P | 114 | (2) UNC 0.38-16 x 2.50 long SHCS | (2) 0.75-14 NPTF LSPP |
| * D07 SP RV S 12S | 114 | | (2) -12 SAE hex socket plug |
| * D07 SP RV S 12B, 12M, 12T | 114 | (2) ISO 6H M10-1.5 x 65mm SHCS | n/a |
| * D07 SP RV * 16P | 114 | (2) UNC 0.38-16 x 4.00 long SHCS | (2) 1.00-11.5 NPTF LSPP |
| * D07 SP RV * 16S | 114 | | (2) -16 SAE hex socket plug |
| * D07 SP RV * 16B, 16M, 16T | 114 | (2) ISO 6H M10-1.5 x 100mm SHCS | n/a |
| * D08 SP S* 12P, 16P, 16S | 115 | (2) UNC 0.50-13 x 1.75 long SHCS | n/a |
| * D08 SP S* 16B, 16M, 16T | 115 | (2) ISO 6H M12-1.75 x 45mm SHCS | n/a |
| * D08 SP SO 20P, 20S | 115 | (2) UNC 0.50-13 x 3.00 long SHCS | n/a |
| * D08 SP SO 20B, 20M, 20T | 115 | (2) ISO 6H M12-1.75 x 75mm SHCS | n/a |
| * D08 SP B 12P, 16P, 16S | 115 | (2) UNC 0.50-13 x 1.50 long SHCS | n/a |
| * D08 SP B 16B, 16M, 16T | 115 | (2) ISO 6H M12-1.75 x 40mm SHCS | n/a |
| * D08 SP B 20P, 20S | 115 | (4) UNC 0.38-16 x 2.00 long SHCS | n/a |
| * D08 SP B 20B, 20M, 20T | 115 | (4) ISO 6H M10-1.5 x 50mm SHCS | n/a |
| * D08 SP RV * 16P | 116 | (2) UNC 0.38-16 x 3.00 long SHCS | (2) 1.00-11.5 NPTF LSPP |
| * D08 SP RV * 16S | 116 | | (2) -16 SAE hex socket plug |
| * D08 SP RV * 16B, 16M, 16T | 116 | (2) ISO 6H M10-1.5 x 75mm SHCS | n/a |
| * D08 SP RV * 20P | 116 | n/a | (2) 1.25-11.5 NPTF LSPP |
| * D08 SP RV * 20S | 116 | | (2) -20 SAE hex socket plug |
| * D08 SP RV * 20B, 20M, 20T | 116 | n/a | n/a |

Subplate Mounting Hardware

| Part no. | Cat. pg. | Mounting Screws | Plugs |
|-------------------------------|----------|----------------------------------|-------|
| * D10 SP S O 20P | 117 | (4) UNC 0.50-13 x 3.50 long SHCS | n/a |
| * D10 SP S O 24P, 24S | 117 | (4) UNC 0.50-13 x 4.00 long SHCS | n/a |
| * D10 SP S O 32P, 32S | 117 | (4) UNC 0.50-13 x 4.50 long SHCS | n/a |
| * D10 SP B 20P | 117 | (4) UNC 0.50-13 x 2.00 long SHCS | n/a |
| * D10 SP B 24P, 24S | 117 | (4) UNC 0.50-13 x 2.00 long SHCS | n/a |
| * D10 SP B 32P, 32S | 117 | (4) UNC 0.50-13 x 2.50 long SHCS | n/a |
| * 2F06 SP S 6P, 8P, 8S | 118 | (2) UNC 0.38-16 x 1.25 long SHCS | n/a |
| * 2F07 SP S 8P, 8S | 118 | (2) UNC 0.38-16 x 1.25 long SHCS | n/a |
| * P06 SP S 08P, 08S, 12P, 12S | 119 | (4) UNC 0.38-16 x 2.00 long SHCS | n/a |
| * P08 SP S 12P, 12S, 16P, 16S | 119 | (4) UNC 0.38-16 x 2.00 long SHCS | n/a |
| * P10 SP S 20P, 20S, 24P, 24S | 119 | (4) UNC 0.38-16 x 3.00 long SHCS | n/a |
| * R06 SP S 08P, 08S, 12P, 12S | 120 | (4) UNC 0.38-16 x 2.00 long SHCS | n/a |
| * R08 SP S 12P, 12S, 16P, 16S | 120 | (4) UNC 0.38-16 x 2.50 long SHCS | n/a |
| * I08 SP S 12P, 12S, 16P, 16S | 120 | (4) UNC 0.38-16 x 2.50 long SHCS | n/a |
| * R10 SP S 20P, 20S, 24P, 24S | 120 | (4) UNC 0.38-16 x 4.00 long SHCS | n/a |
| * I10 SP S 20P, 20S, 24P, 24S | 120 | (4) UNC 0.38-16 x 4.00 long SHCS | n/a |

Custom Products

Standard Manifolds

Cover Plates

Valve Adaptors

Subplates

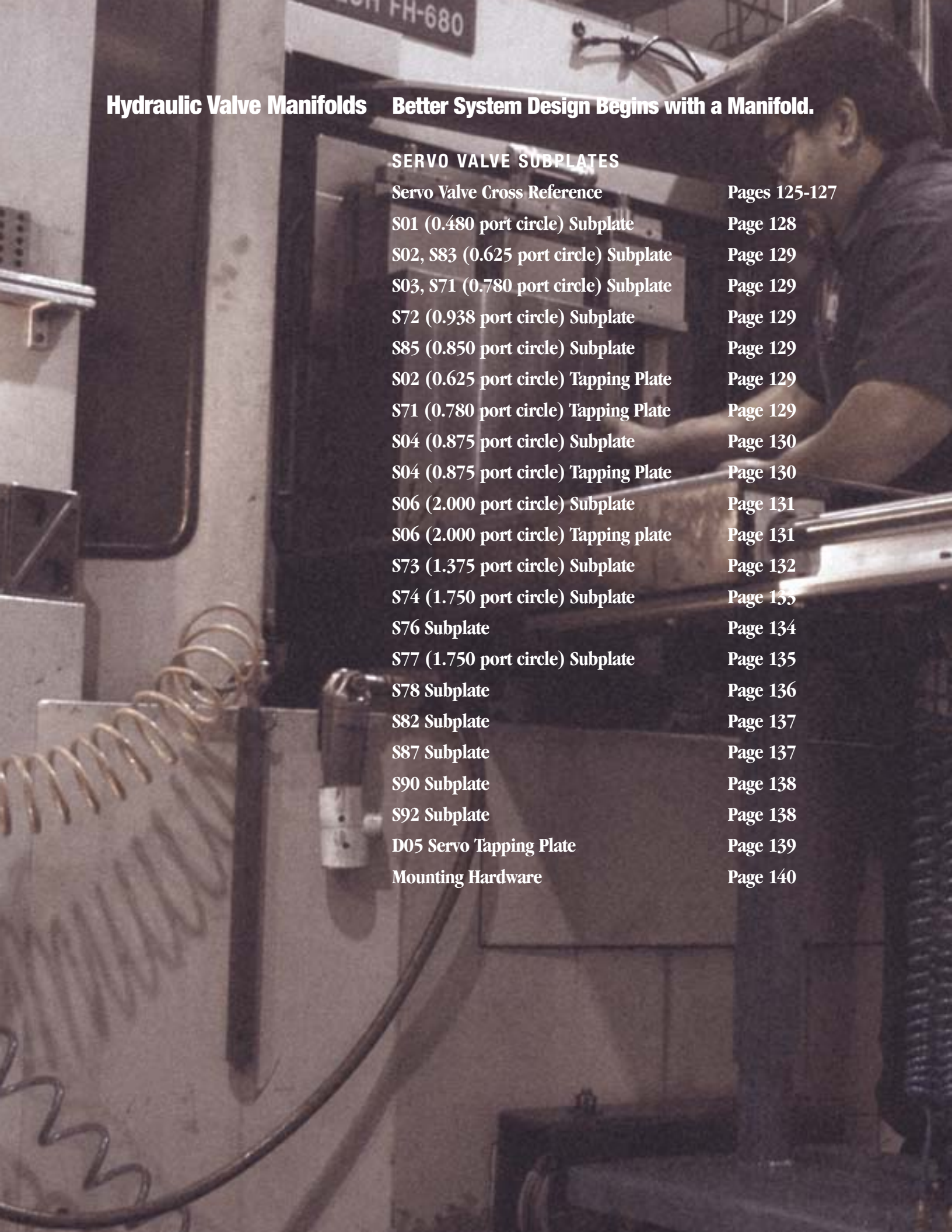
Servo Valve Subplates

Tapping Plates

DIN Cartridge Valve Bodies

Header and Junction Blocks

Technical Information

A person is working on a hydraulic valve manifold in a factory setting. The person is wearing a dark shirt and glasses, and is focused on the task. The manifold is a large, complex piece of machinery with various pipes and fittings. The background shows a factory environment with a sign that reads "FH-680".

Hydraulic Valve Manifolds Better System Design Begins with a Manifold.

SERVO VALVE SUBPLATES

| | |
|---------------------------------------|---------------|
| Servo Valve Cross Reference | Pages 125-127 |
| S01 (0.480 port circle) Subplate | Page 128 |
| S02, S83 (0.625 port circle) Subplate | Page 129 |
| S03, S71 (0.780 port circle) Subplate | Page 129 |
| S72 (0.938 port circle) Subplate | Page 129 |
| S85 (0.850 port circle) Subplate | Page 129 |
| S02 (0.625 port circle) Tapping Plate | Page 129 |
| S71 (0.780 port circle) Tapping Plate | Page 129 |
| S04 (0.875 port circle) Subplate | Page 130 |
| S04 (0.875 port circle) Tapping Plate | Page 130 |
| S06 (2.000 port circle) Subplate | Page 131 |
| S06 (2.000 port circle) Tapping plate | Page 131 |
| S73 (1.375 port circle) Subplate | Page 132 |
| S74 (1.750 port circle) Subplate | Page 133 |
| S76 Subplate | Page 134 |
| S77 (1.750 port circle) Subplate | Page 135 |
| S78 Subplate | Page 136 |
| S82 Subplate | Page 137 |
| S87 Subplate | Page 137 |
| S90 Subplate | Page 138 |
| S92 Subplate | Page 138 |
| D05 Servo Tapping Plate | Page 139 |
| Mounting Hardware | Page 140 |

Servo Valve Cross Reference

| Daman pat- tern no. | ISO no. | Port Circle | HR Textron | Moog | Moog / Atchley | Moog / Pegasus | MTS | Parker | Parker/ Dyval | Rexroth | Vickers |
|------------------------|------------|----------------|---------------|--|----------------------------------|--|------------------|------------------------------------|------------------|---------------------|------------------------|
| S01 | 10372-01 | 0.480 | 27A 1)5) | 30 1)5) 260 1)5) | -- | -- | -- | SEMT 1) | -- | -- | -- |
| S02 | 10372-02 | 0.625 | -- | 31 261 1) 77-100 6) 771 774 | 206 1)6) 208A 3) 209 1) | 20 2) 105H 2) 122A 2) 125 | -- | SE05 | -- | -- | -- |
| S03 | 10372-03 | 0.780 | -- | 77-200 | 207- optional 1)7) | 132A 2)12) | -- | -- | -- | -- | SM4-12 SX4-12 |
| S04 | 10372-04 | 0.875 | 27E 1) | 62 730 730-HP8 760 4) 760-HP8 761HR 4) D765 3) G761 | 215A 3) 320 | 142M 1) 142MP 2)4) 162M 2) 162MP 2)4) | 252.2X 252.4X | BD15 PH76 SE20 3) SE2E 3) | -- | 4WS*2E*10A-4X 3)9) | SM4-20 4) SX4-20 4) |
| S06 | 10372-06 | 2.000 | -- | 72 3) 79-100 4)8) D791 4) | 261 1) | 1282A 1282AD 1282ADL 1282B | 252.3X | SE60 3) | -- | 4WS*2E*16A-2X 3)10) | -- |
| S71 | -- | 0.780 | 27C | 15 32 34 262 1) 264 1) 755 772 77-200- optional | 207 1)11) 211A 3) 214 1)3) | -- | -- | SE10 | -- | -- | -- |
| S72 | -- | 0.938 | -- | 773 77-500 | 218 1) | 142A 2)12) 162A 2)12) 162R 2)12) 212 2)12) 235 2)12) | -- | SE15 | -- | -- | SM4-15 SX4-15 |
| S73 | -- | 1.375 | -- | 743 3) | 225A 3) 225B 3) | -- | -- | SE2N | -- | -- | -- |
| S74 | -- | 1.750 | -- | -- | -- | 1330 | -- | -- | -- | -- | -- |

NOTES:

- 1) This valve does not have a locating pin, therefore the pattern does not require a locating pin hole.
- 2) The A & B (C1 & C2) ports are reversed on these valves compared to the ISO standard or the majority of other manufacturers valves.
- 3) These valves have an optional pilot port conforming to ISO standards or the majority of other manufacturers valves.
- 4) These valves have an optional pilot port which does not conform to ISO standards.
- 5) These valves use mounting threads which do not conform to the ISO standard of M4.
- 6) The S02 mounting pattern has #10-32 or M5 mounting threads. If using the optional 1/4-20 or M6 bolts use the S83 valve pattern.
- 7) The S03 mounting pattern has #1/4-20 or M6 mounting threads. If using the optional #10-32 or M5 bolts use the S71 valve pattern.
- 8) The ports on this valve are 90 degrees out of phase with the ISO standard and all other valves using this pattern.
- 9) Manufacturer's catalog states that this valve is also in conformance with CETOP RP115H type 4.
- 10) Manufacturer's catalog states that this valve is also in conformance with CETOP RP115H type 5.
- 11) The S71 mounting pattern has #10-32 or M5 mounting threads. If using the optional 1/4-20 or M6 bolts use the S03 valve pattern.
- 12) Manufacturer calls for 1/4-28 valve mounting threads. Daman's S03 & S72 standard products have 1/4-20 threads.

Servo Valve Cross Reference

| Daman pattern no. | ISO no. | Port Circle | Continental | HR Textron | Moog | Moog / Atchley | Moog / Pegasus | Parker | Parker / Dyval | Rexroth | Vickers |
|--------------------------|---------|-------------|-------------|-------------------|--|----------------------------------|--|--------|--|-------------|----------------------|
| S75 ¹⁾ | -- | 2.750 | -- | -- | -- | 3100 | -- | -- | -- | -- | -- |
| S76 | -- | -- | -- | -- | 62-300 | 241 | -- | -- | -- | -- | SM4-30 |
| S77 | -- | 1.750 | -- | 27G ²⁾ | 78 | 240 | 180L ³⁾⁷⁾ 180R ³⁾⁷⁾ | BD30 | -- | -- | SM4-40 ⁴⁾ |
| S78 | -- | -- | -- | -- | 79-200 79-200HR D792 | -- | 1800 | -- | -- | -- | -- |
| S79 ¹⁾ | -- | -- | -- | -- | D643- optional ⁵⁾ D644- optional ⁵⁾ | -- | -- | -- | -- | -- | -- |
| S81 ¹⁾ | -- | -- | -- | -- | -- | 231 242 | -- | -- | -- | -- | -- |
| S82 | -- | -- | -- | -- | -- | -- | -- | -- | -- | 4DS*1E02-1X | -- |
| S83 | -- | 0.625 | -- | -- | 77-100- optional ⁶⁾ | 206- optional ²⁾⁶⁾ | -- | -- | -- | -- | SM4-10 SX4-10 |
| S84 ¹⁾ | -- | 0.740 | -- | -- | -- | 202PN | -- | -- | -- | -- | -- |
| S85 | -- | 0.850 | SV850M | -- | -- | -- | -- | -- | DY01 DY1S DY05 DY10 10PS DY12 | -- | -- |
| S86 ¹⁾ | -- | 1.000 | -- | -- | 265 ²⁾ 35 | -- | -- | -- | -- | -- | -- |
| S87 | -- | 1.000 | SV1000M | -- | -- | -- | -- | -- | DY15 DY25 | -- | -- |
| S88 ¹⁾ | -- | 1.800 | SV1800M | -- | -- | -- | -- | -- | DY45 45PS | -- | -- |
| S89 ¹⁾ | -- | -- | -- | -- | -- | -- | -- | -- | PC-2 | -- | -- |
| S90 | -- | 1.000 | -- | -- | -- | -- | -- | -- | DY2S 2-SP | -- | -- |
| S91 ¹⁾ | -- | -- | -- | -- | -- | -- | -- | -- | 5P 10P | -- | -- |
| S92 | -- | -- | -- | -- | -- | -- | -- | -- | DY3H DY6H | -- | -- |

NOTES:

- 1) These patterns are identified for reference purposes. Standard subplates are not available. See pages 2-3 for information requesting a custom subplate.
- 2) This valve does not have a locating pin, therefore the pattern does not require a locating pin hole.
- 3) The A & B (C1 & C2) ports are reversed on these valves compared to the ISO standard or the majority of other manufacturers valves.
- 4) These valves have an optional pilot port conforming to ISO standards or the majority of other manufacturers valves.
- 5) The S79 mounting pattern has 7/16-14 mounting threads. If using the optional M12 or 1/2-13 bolts use the D08 valve pattern.
- 6) The S83 mounting pattern has 1/4-20 or M6 mounting threads. If using the optional #10-32 or M5 bolts use the S02 valve pattern.
- 7) Manufacturer calls for 5/16-24 valve mounting threads. Daman's S77 standard products have 5/16-18 threads.

Servo Valve Cross Reference

| Daman pattern no. | ISO no. | Port Circle | Continental | Moog | Moog / Atchley | Moog / Pegasus | Parker | Parker/Dyval | Rexroth | Vickers |
|--------------------------|------------|-------------|-------------|--|----------------|----------------|--------------------|--------------|--|---------|
| S93 ¹⁾ | -- | 0.850 | -- | -- | -- | -- | -- | 10-1100 | -- | -- |
| S94 ¹⁾ | -- | -- | -- | 744 | 290 | -- | -- | -- | -- | -- |
| S95 ¹⁾ | -- | 2.000 | -- | -- | -- | -- | -- | DY90 | -- | -- |
| D03 | 4401-03-03 | -- | -- | D633 ⁵⁾ D635 ⁵⁾ D636 ⁵⁾ | -- | 40 | -- | -- | 4WS*2EM6-1X ²⁾ | -- |
| D05HE | 4401-05-05 | -- | -- | D634 ⁶⁾ D661 ⁷⁾ D681 ⁷⁾ D691 ⁷⁾ | -- | -- | -- | -- | -- | -- |
| D05-S1 | 4401-05-05 | -- | -- | 631 ⁴⁾ 631-500 ⁴⁾ 641 ⁴⁾ 641-100 ⁴⁾ 651 ⁴⁾ | -- | -- | -- | -- | -- | -- |
| D05-S2 | 4401-05-05 | -- | -- | G631 ⁴⁾ | -- | -- | -- | -- | -- | -- |
| D05-S3 | 4401-05-05 | -- | -- | -- | -- | -- | SE31 ⁴⁾ | -- | -- | -- |
| D05-S4 | 4401-05-05 | -- | -- | -- | -- | -- | -- | -- | 3DS*2E*10-2X ⁴⁾ 4WS*2E*10-4X ⁴⁾ | -- |
| D07 | 4401-07-06 | -- | -- | D642 ^{8) 15)} D652 ⁸⁾ D662 ⁸⁾ D682 ⁸⁾ | -- | -- | -- | -- | 4WS*2E*16-2X ³⁾ 4WSE3EE16-1X ³⁾ | -- |
| D08 | 4401-08-07 | -- | -- | D643 ⁹⁾ D644 ⁹⁾ D653 ¹⁰⁾ D654 ¹⁰⁾ D663 ¹¹⁾ D664 ¹²⁾ D683 ¹¹⁾ D684 ¹²⁾ | -- | -- | -- | -- | 4WSE3EE25-2X ³⁾ | -- |
| D10 | 4401-10-08 | -- | -- | D645 ¹³⁾ D665 ¹⁴⁾ D685 ¹⁴⁾ | -- | -- | -- | -- | 4WSE3EE32-4X ³⁾ | -- |

NOTES:

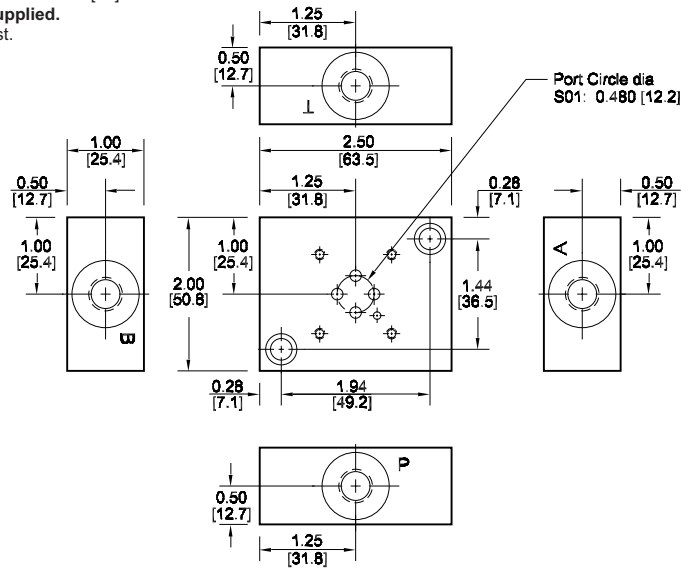
- 1) These patterns are identified for reference purposes. Standard subplates are not available. See pages 2-3 for information requesting a custom subplate.
- 2) This valve does not have a locating pin, therefore the pattern does not require a locating pin hole.
- 3) These valves have an optional pilot port conforming to ISO standards or the majority of other manufacturers valves.
- 4) These valves have an optional pilot port which does not conform to ISO standards.
- 5) Pattern conforms to ISO 4401-03-03-0-94 without X port; Y port is optional. Ports are 7.5mm dia for full flow. Mounting threads are M5.
- 6) Pattern conforms to ISO 4401-05-05-0-94 without X port; Y port is optional. Mounting threads are M6.
- 7) Pattern conforms to ISO 4401-05-05-0-94 without X port; Y port is optional. Ports are 11.5mm dia for full flow. Mounting threads are M6.
- 8) Pattern conforms to ISO 4401-07-06-0-94 except ports are 20mm dia for full flow. Mounting threads are M10 and M6.
- 9) Pattern conforms to ISO 4401-08-07-0-94. Mounting threads are M12. If using the optional 7/16-14 bolts use the S79 valve pattern.
- 10) Pattern conforms to ISO 4401-08-07-0-94. Mounting threads are M12.
- 11) Pattern conforms to ISO 4401-08-07-0-94 except ports are 28mm dia for full flow. Mounting threads are M12.
- 12) Pattern conforms to ISO 4401-08-07-0-94 except ports are 32mm dia for full flow. Mounting threads are M12.
- 13) Pattern conforms to ISO 4401-10-08-0-94. Mounting threads are M20.
- 14) Pattern conforms to ISO 4401-10-08-0-94 except ports are 50mm dia for full flow. Mounting threads are M20.

Daman S01 Servo Subplate

0.480 Port Circle

Side Ported Subplate

Valve mtg: UNC #6-32 x 0.50 DP or
Metric M4-0.7mm ISO 6H x [12] DP
Subplate hardware kit is supplied.
See page 140 for itemized list.



Specifications, descriptions, and dimensional data are subject to correction or change without notice or incurring obligation. Download latest catalog page revisions at www.damanifolds.com.

Ordering Information

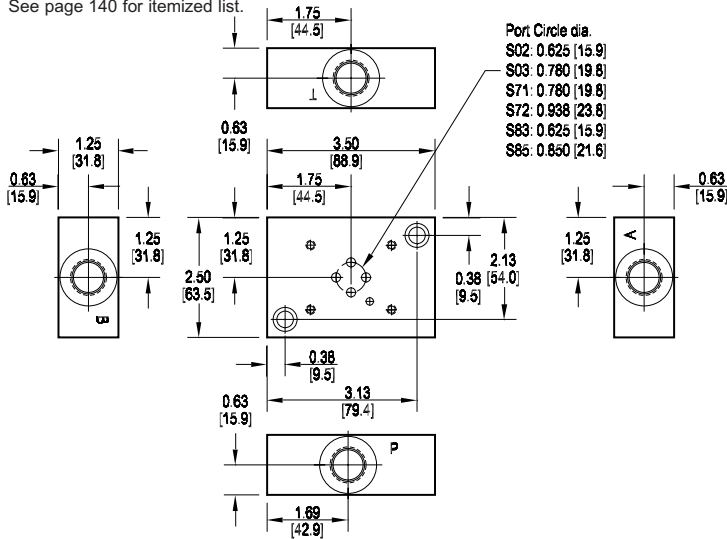
| Material | Servo Valve Pattern | Product Type | Port Location | Port Threads | | | | | | | | | | | | | | | | | | | | | | | | | | |
|--|---|--------------|---------------|--|----------|--|---|--|---|---------------|--|------------|---|--|--------------|--|-----------|----------|---|---------------|--|----------|-------------|--|--------------|--|-----------|-------------------------------|-----------|-----------------------|
| <table border="1"> <thead> <tr> <th colspan="2">Material</th> </tr> </thead> <tbody> <tr> <td>A</td> <td>Aluminum - 6061-T6 3000† psi • 20.7 MPa</td> </tr> <tr> <td>D</td> <td>Ductile Iron - D4512 5000† psi • 34.5 MPa</td> </tr> <tr> <td colspan="2">† Working pressure should be considered in accordance with ISO 4413 to determine appropriate material type.</td> </tr> </tbody> </table> | Material | | A | Aluminum - 6061-T6 3000† psi • 20.7 MPa | D | Ductile Iron - D4512 5000† psi • 34.5 MPa | † Working pressure should be considered in accordance with ISO 4413 to determine appropriate material type. | | <table border="1"> <thead> <tr> <th colspan="2">Servo Pattern</th> </tr> </thead> <tbody> <tr> <td>S01</td> <td>ISO 10372-01-01 Daman std. S01 See page 125 and Tech Info</td> </tr> </tbody> </table> | Servo Pattern | | S01 | ISO 10372-01-01 Daman std. S01 See page 125 and Tech Info | <table border="1"> <thead> <tr> <th colspan="2">Product Type</th> </tr> </thead> <tbody> <tr> <td>SP</td> <td>Subplate</td> </tr> </tbody> </table> | Product Type | | SP | Subplate | <table border="1"> <thead> <tr> <th colspan="2">Port Location</th> </tr> </thead> <tbody> <tr> <td>S</td> <td>Side ported</td> </tr> </tbody> </table> | Port Location | | S | Side ported | <table border="1"> <thead> <tr> <th colspan="2">Port Threads</th> </tr> </thead> <tbody> <tr> <td>4S</td> <td>-4 SAE ISO 11926; SAE 1926</td> </tr> <tr> <td>4M</td> <td>M10 x 1.0 ISO 6149</td> </tr> </tbody> </table> | Port Threads | | 4S | -4 SAE ISO 11926; SAE 1926 | 4M | M10 x 1.0 ISO 6149 |
| Material | | | | | | | | | | | | | | | | | | | | | | | | | | | | | | |
| A | Aluminum - 6061-T6 3000† psi • 20.7 MPa | | | | | | | | | | | | | | | | | | | | | | | | | | | | | |
| D | Ductile Iron - D4512 5000† psi • 34.5 MPa | | | | | | | | | | | | | | | | | | | | | | | | | | | | | |
| † Working pressure should be considered in accordance with ISO 4413 to determine appropriate material type. | | | | | | | | | | | | | | | | | | | | | | | | | | | | | | |
| Servo Pattern | | | | | | | | | | | | | | | | | | | | | | | | | | | | | | |
| S01 | ISO 10372-01-01 Daman std. S01 See page 125 and Tech Info | | | | | | | | | | | | | | | | | | | | | | | | | | | | | |
| Product Type | | | | | | | | | | | | | | | | | | | | | | | | | | | | | | |
| SP | Subplate | | | | | | | | | | | | | | | | | | | | | | | | | | | | | |
| Port Location | | | | | | | | | | | | | | | | | | | | | | | | | | | | | | |
| S | Side ported | | | | | | | | | | | | | | | | | | | | | | | | | | | | | |
| Port Threads | | | | | | | | | | | | | | | | | | | | | | | | | | | | | | |
| 4S | -4 SAE ISO 11926; SAE 1926 | | | | | | | | | | | | | | | | | | | | | | | | | | | | | |
| 4M | M10 x 1.0 ISO 6149 | | | | | | | | | | | | | | | | | | | | | | | | | | | | | |

Daman S02, S03, S71, S72, S83, S85 Servo Subplate; S02, S71 Pilot Port Tapping Plate

0.625, 0.780, 0.850, 0.938 Port Circle

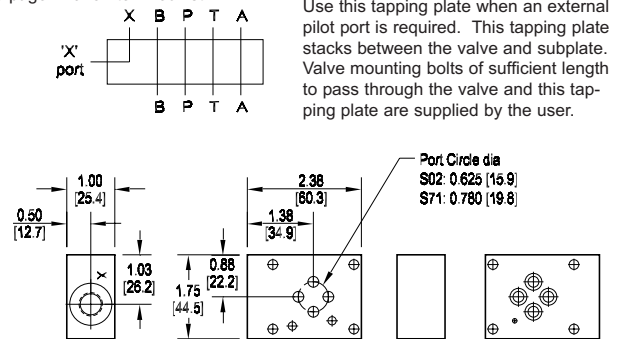
Side Ported Subplate

Valve mtg **S02, S71**: UNF #10-32 x 0.63 DP or Metric M5-0.8mm ISO 6H x [16] DP
 Valve mtg **S03**: UNF 0.25-28 x 0.75 DP or Metric M6-1.0mm ISO 6H x [19] DP
 Valve mtg **S72, S83, S85**: UNC 0.25-20 x 0.75 DP or Metric M6-1.0mm ISO 6H x [19] DP
 Subplate hardware kit is supplied.
 See page 140 for itemized list.



Pilot Port Tapping Plate (S02, S71 Patterns only)

Subplate interface seal kit is supplied.
 See page 140 for itemized list.



Specifications, descriptions, and dimensional data are subject to correction or change without notice or incurring obligation.
 Download latest catalog page revisions at www.damanifolds.com.

Ordering Information

| Material | Servo Valve Pattern | Product Type | Port Location / Circuit | Port Threads |
|----------|---------------------|--------------|-------------------------|--------------|
|----------|---------------------|--------------|-------------------------|--------------|

| Material | |
|----------|--|
| A | Aluminum - 6061-T6 3000† psi • 20.7 MPa |
| D | Ductile Iron - D4512 5000† psi • 34.5 MPa |

† Working pressure should be considered in accordance with ISO 4413 to determine appropriate material type.

| Servo Pattern | |
|----------------------------|-----------------------------------|
| See page 125 and Tech Info | |
| S02 | ISO 10372-02-02 Daman std. S02 |
| S03 | ISO 10372-03-03 Daman std. S03 |
| S71 | Daman std. S71 |
| S72 | Daman std. S72 |
| S83 | Daman std. S83 |
| S85 | Daman std. S85 |

| Product Type | |
|--------------|----------------------------------|
| SP | Subplate |
| TP | Tapping Plate S02 or S71 only |

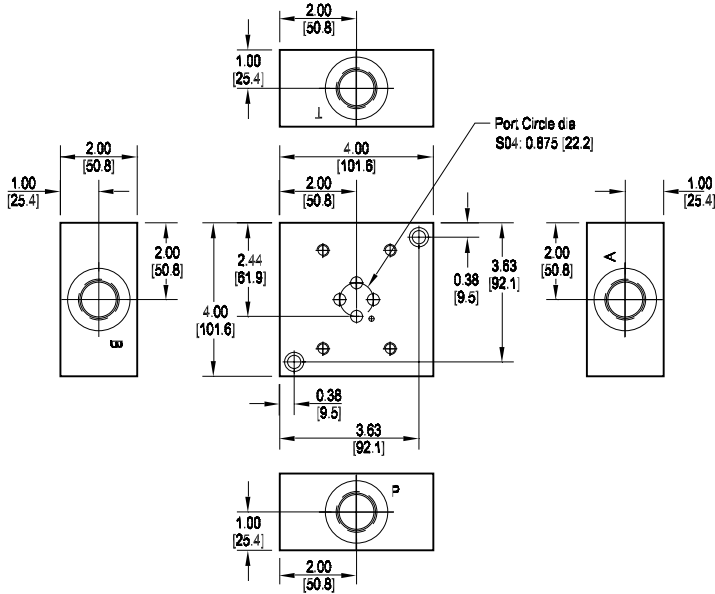
| Port Loc. / Circuit | |
|---------------------|--------------------------------|
| S | Side ported (Subplate only) |
| X | X Port (Tapping Plate only) |

| Port Threads | |
|-------------------------------|-------------------------------|
| Subplate Port Sizes Only | |
| 8S | -8 SAE ISO 11926; SAE 1926 |
| 8M | M18 x 1.5 ISO 6149 |
| Tapping Plate Port Sizes Only | |
| 4S | -4 SAE ISO 11926; SAE 1926 |
| 4M | M10 x 1.0 ISO 6149 |

Daman S04 Servo Subplate, Pilot Port Tapping Plate 0.875 Port Circle

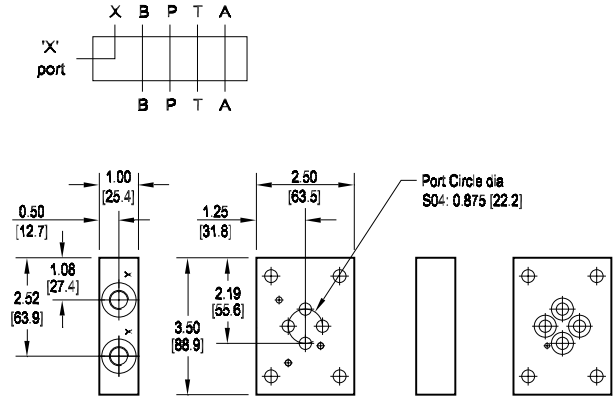
Side Ported Subplate

Valve mtg: UNC 0.31-18 UNC x 0.88 DP or Metric M8-1.25mm ISO 6H x [22.2] DP
Subplate hardware kit is supplied.
 See page 140 for itemized list.



Pilot Port Tapping Plate

Subplate interface seal kit is supplied.*
 See page 140 for itemized list.
 * Plug not included on metric ported parts.



Use this tapping plate when an external pilot port is required. Two ports are provided to facilitate the various valves available. This tapping plate stacks between the valve and subplate. Valve mounting bolts of sufficient length to pass through the valve and this tapping plate are supplied by the user.

Specifications, descriptions, and dimensional data are subject to correction or change without notice or incurring obligation. Download latest catalog page revisions at www.damanifolds.com.

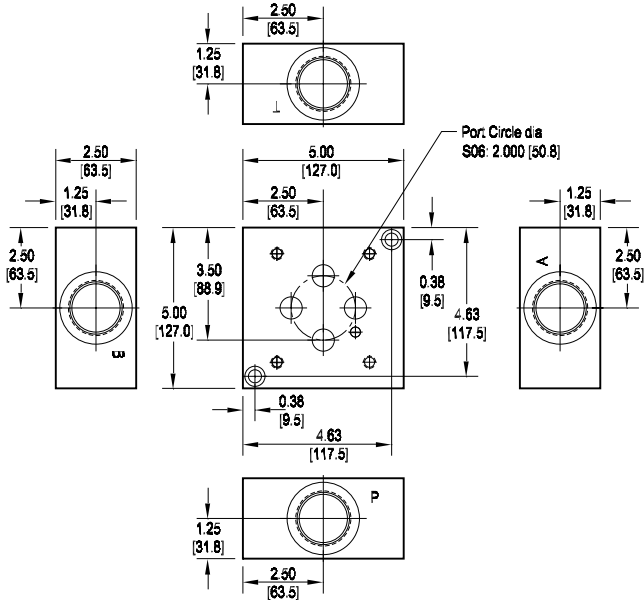
Ordering Information

| Material | Servo Valve Pattern | Product Type | Port Location / Circuit | Port Threads | | | | | | | | | | | | | | | | | | | | | | | | | | | | | | | | | | | | | | | | |
|--|--|--------------|-------------------------|--|----------|--|---|--|---|---------------|--|----------------------------|--|------------|-----------------------------------|---|--------------|--|-----------|----------|-----------|---------------|---|---------------------|--|----------|--------------------------------|----------|--------------------------------|--|--------------|--|--------------------------|--|------------|--------------------------------|------------|-----------------------|-------------------------------|--|-----------|-------------------------------|-----------|-----------------------|
| <table border="1"> <thead> <tr> <th colspan="2">Material</th> </tr> </thead> <tbody> <tr> <td>A</td> <td>Aluminum - 6061-T6 3000† psi • 20.7 MPa</td> </tr> <tr> <td>D</td> <td>Ductile Iron - D4512 5000† psi • 34.5 MPa</td> </tr> <tr> <td colspan="2">† Working pressure should be considered in accordance with ISO 4413 to determine appropriate material type.</td> </tr> </tbody> </table> | Material | | A | Aluminum - 6061-T6 3000† psi • 20.7 MPa | D | Ductile Iron - D4512 5000† psi • 34.5 MPa | † Working pressure should be considered in accordance with ISO 4413 to determine appropriate material type. | | <table border="1"> <thead> <tr> <th colspan="2">Servo Pattern</th> </tr> </thead> <tbody> <tr> <td colspan="2">See page 125 and Tech Info</td> </tr> <tr> <td>S04</td> <td>ISO 10372-04-04 Daman std. S04</td> </tr> </tbody> </table> | Servo Pattern | | See page 125 and Tech Info | | S04 | ISO 10372-04-04 Daman std. S04 | <table border="1"> <thead> <tr> <th colspan="2">Product Type</th> </tr> </thead> <tbody> <tr> <td>SP</td> <td>Subplate</td> </tr> <tr> <td>TP</td> <td>Tapping Plate</td> </tr> </tbody> </table> | Product Type | | SP | Subplate | TP | Tapping Plate | <table border="1"> <thead> <tr> <th colspan="2">Port Loc. / Circuit</th> </tr> </thead> <tbody> <tr> <td>S</td> <td>Side ported (Subplate only)</td> </tr> <tr> <td>X</td> <td>X Port (Tapping Plate only)</td> </tr> </tbody> </table> | Port Loc. / Circuit | | S | Side ported (Subplate only) | X | X Port (Tapping Plate only) | <table border="1"> <thead> <tr> <th colspan="2">Port Threads</th> </tr> </thead> <tbody> <tr> <td colspan="2">Subplate Port Sizes Only</td> </tr> <tr> <td>12S</td> <td>-12 SAE ISO 11926; SAE 1926</td> </tr> <tr> <td>12M</td> <td>M27 x 2.0 ISO 6149</td> </tr> <tr> <td colspan="2">Tapping Plate Port Sizes Only</td> </tr> <tr> <td>4S</td> <td>-4 SAE ISO 11926; SAE 1926</td> </tr> <tr> <td>4M</td> <td>M10 x 1.0 ISO 6149</td> </tr> </tbody> </table> | Port Threads | | Subplate Port Sizes Only | | 12S | -12 SAE ISO 11926; SAE 1926 | 12M | M27 x 2.0 ISO 6149 | Tapping Plate Port Sizes Only | | 4S | -4 SAE ISO 11926; SAE 1926 | 4M | M10 x 1.0 ISO 6149 |
| Material | | | | | | | | | | | | | | | | | | | | | | | | | | | | | | | | | | | | | | | | | | | | |
| A | Aluminum - 6061-T6 3000† psi • 20.7 MPa | | | | | | | | | | | | | | | | | | | | | | | | | | | | | | | | | | | | | | | | | | | |
| D | Ductile Iron - D4512 5000† psi • 34.5 MPa | | | | | | | | | | | | | | | | | | | | | | | | | | | | | | | | | | | | | | | | | | | |
| † Working pressure should be considered in accordance with ISO 4413 to determine appropriate material type. | | | | | | | | | | | | | | | | | | | | | | | | | | | | | | | | | | | | | | | | | | | | |
| Servo Pattern | | | | | | | | | | | | | | | | | | | | | | | | | | | | | | | | | | | | | | | | | | | | |
| See page 125 and Tech Info | | | | | | | | | | | | | | | | | | | | | | | | | | | | | | | | | | | | | | | | | | | | |
| S04 | ISO 10372-04-04 Daman std. S04 | | | | | | | | | | | | | | | | | | | | | | | | | | | | | | | | | | | | | | | | | | | |
| Product Type | | | | | | | | | | | | | | | | | | | | | | | | | | | | | | | | | | | | | | | | | | | | |
| SP | Subplate | | | | | | | | | | | | | | | | | | | | | | | | | | | | | | | | | | | | | | | | | | | |
| TP | Tapping Plate | | | | | | | | | | | | | | | | | | | | | | | | | | | | | | | | | | | | | | | | | | | |
| Port Loc. / Circuit | | | | | | | | | | | | | | | | | | | | | | | | | | | | | | | | | | | | | | | | | | | | |
| S | Side ported (Subplate only) | | | | | | | | | | | | | | | | | | | | | | | | | | | | | | | | | | | | | | | | | | | |
| X | X Port (Tapping Plate only) | | | | | | | | | | | | | | | | | | | | | | | | | | | | | | | | | | | | | | | | | | | |
| Port Threads | | | | | | | | | | | | | | | | | | | | | | | | | | | | | | | | | | | | | | | | | | | | |
| Subplate Port Sizes Only | | | | | | | | | | | | | | | | | | | | | | | | | | | | | | | | | | | | | | | | | | | | |
| 12S | -12 SAE ISO 11926; SAE 1926 | | | | | | | | | | | | | | | | | | | | | | | | | | | | | | | | | | | | | | | | | | | |
| 12M | M27 x 2.0 ISO 6149 | | | | | | | | | | | | | | | | | | | | | | | | | | | | | | | | | | | | | | | | | | | |
| Tapping Plate Port Sizes Only | | | | | | | | | | | | | | | | | | | | | | | | | | | | | | | | | | | | | | | | | | | | |
| 4S | -4 SAE ISO 11926; SAE 1926 | | | | | | | | | | | | | | | | | | | | | | | | | | | | | | | | | | | | | | | | | | | |
| 4M | M10 x 1.0 ISO 6149 | | | | | | | | | | | | | | | | | | | | | | | | | | | | | | | | | | | | | | | | | | | |

Daman S06 Servo Subplate, Pilot Port Tapping Plate 2.000 Port Circle

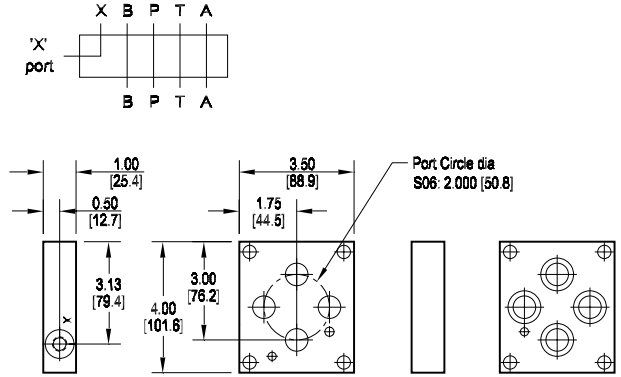
Side Ported Subplate

Valve mtg: UNC 0.38-16 UNC x 1.00 DP or
Metric M10-1.5mm ISO 6H x [25.4] DP
Subplate hardware kit is supplied.
See page 140 for itemized list.



Pilot Port Tapping Plate

Subplate interface seal kit is supplied.*
See page 140 for itemized list.
* Plug not included on metric ported parts.



Use this tapping plate when an external pilot port is required. This tapping plate stacks between the valve and subplate. Valve mounting bolts of sufficient length to pass through the valve and this tapping plate are supplied by the user.

Specifications, descriptions, and dimensional data are subject to correction or change without notice or incurring obligation. Download latest catalog page revisions at www.damanifolds.com.

Ordering Information

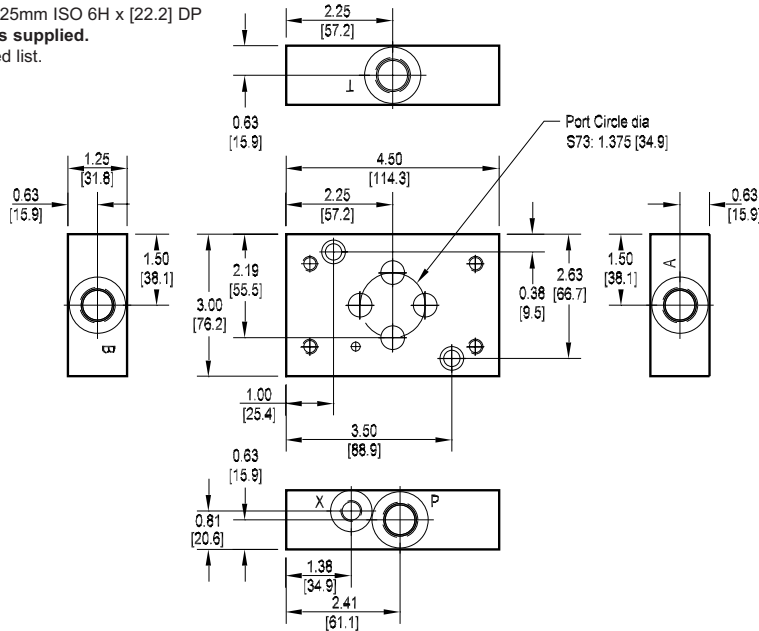
| Material | Servo Valve Pattern | Product Type | Port Location / Circuit | Port Threads | | | | | | | | | | | | | | | | | | | | | | | | | | | | | | | | | | | | | | | | |
|--|--|--------------|-------------------------|--|----------|--|---|--|---|---------------|--|----------------------------|--|------------|-----------------------------------|---|--------------|--|-----------|----------|-----------|---------------|---|---------------------|--|----------|--------------------------------|----------|--------------------------------|--|--------------|--|--------------------------|--|------------|--------------------------------|------------|-----------------------|-------------------------------|--|-----------|-------------------------------|-----------|-----------------------|
| <table border="1"> <thead> <tr> <th colspan="2">Material</th> </tr> </thead> <tbody> <tr> <td>A</td> <td>Aluminum - 6061-T6 3000† psi • 20.7 MPa</td> </tr> <tr> <td>D</td> <td>Ductile Iron - D4512 5000† psi • 34.5 MPa</td> </tr> <tr> <td colspan="2">† Working pressure should be considered in accordance with ISO 4413 to determine appropriate material type.</td> </tr> </tbody> </table> | Material | | A | Aluminum - 6061-T6 3000† psi • 20.7 MPa | D | Ductile Iron - D4512 5000† psi • 34.5 MPa | † Working pressure should be considered in accordance with ISO 4413 to determine appropriate material type. | | <table border="1"> <thead> <tr> <th colspan="2">Servo Pattern</th> </tr> </thead> <tbody> <tr> <td colspan="2">See page 125 and Tech Info</td> </tr> <tr> <td>S06</td> <td>ISO 10372-06-05 Daman std. S06</td> </tr> </tbody> </table> | Servo Pattern | | See page 125 and Tech Info | | S06 | ISO 10372-06-05 Daman std. S06 | <table border="1"> <thead> <tr> <th colspan="2">Product Type</th> </tr> </thead> <tbody> <tr> <td>SP</td> <td>Subplate</td> </tr> <tr> <td>TP</td> <td>Tapping Plate</td> </tr> </tbody> </table> | Product Type | | SP | Subplate | TP | Tapping Plate | <table border="1"> <thead> <tr> <th colspan="2">Port Loc. / Circuit</th> </tr> </thead> <tbody> <tr> <td>S</td> <td>Side ported (Subplate only)</td> </tr> <tr> <td>X</td> <td>X Port (Tapping Plate only)</td> </tr> </tbody> </table> | Port Loc. / Circuit | | S | Side ported (Subplate only) | X | X Port (Tapping Plate only) | <table border="1"> <thead> <tr> <th colspan="2">Port Threads</th> </tr> </thead> <tbody> <tr> <td colspan="2">Subplate Port Sizes Only</td> </tr> <tr> <td>20S</td> <td>-20 SAE ISO 11926; SAE 1926</td> </tr> <tr> <td>20M</td> <td>M42 x 2.0 ISO 6149</td> </tr> <tr> <td colspan="2">Tapping Plate Port Sizes Only</td> </tr> <tr> <td>4S</td> <td>-4 SAE ISO 11926; SAE 1926</td> </tr> <tr> <td>4M</td> <td>M10 x 1.0 ISO 6149</td> </tr> </tbody> </table> | Port Threads | | Subplate Port Sizes Only | | 20S | -20 SAE ISO 11926; SAE 1926 | 20M | M42 x 2.0 ISO 6149 | Tapping Plate Port Sizes Only | | 4S | -4 SAE ISO 11926; SAE 1926 | 4M | M10 x 1.0 ISO 6149 |
| Material | | | | | | | | | | | | | | | | | | | | | | | | | | | | | | | | | | | | | | | | | | | | |
| A | Aluminum - 6061-T6 3000† psi • 20.7 MPa | | | | | | | | | | | | | | | | | | | | | | | | | | | | | | | | | | | | | | | | | | | |
| D | Ductile Iron - D4512 5000† psi • 34.5 MPa | | | | | | | | | | | | | | | | | | | | | | | | | | | | | | | | | | | | | | | | | | | |
| † Working pressure should be considered in accordance with ISO 4413 to determine appropriate material type. | | | | | | | | | | | | | | | | | | | | | | | | | | | | | | | | | | | | | | | | | | | | |
| Servo Pattern | | | | | | | | | | | | | | | | | | | | | | | | | | | | | | | | | | | | | | | | | | | | |
| See page 125 and Tech Info | | | | | | | | | | | | | | | | | | | | | | | | | | | | | | | | | | | | | | | | | | | | |
| S06 | ISO 10372-06-05 Daman std. S06 | | | | | | | | | | | | | | | | | | | | | | | | | | | | | | | | | | | | | | | | | | | |
| Product Type | | | | | | | | | | | | | | | | | | | | | | | | | | | | | | | | | | | | | | | | | | | | |
| SP | Subplate | | | | | | | | | | | | | | | | | | | | | | | | | | | | | | | | | | | | | | | | | | | |
| TP | Tapping Plate | | | | | | | | | | | | | | | | | | | | | | | | | | | | | | | | | | | | | | | | | | | |
| Port Loc. / Circuit | | | | | | | | | | | | | | | | | | | | | | | | | | | | | | | | | | | | | | | | | | | | |
| S | Side ported (Subplate only) | | | | | | | | | | | | | | | | | | | | | | | | | | | | | | | | | | | | | | | | | | | |
| X | X Port (Tapping Plate only) | | | | | | | | | | | | | | | | | | | | | | | | | | | | | | | | | | | | | | | | | | | |
| Port Threads | | | | | | | | | | | | | | | | | | | | | | | | | | | | | | | | | | | | | | | | | | | | |
| Subplate Port Sizes Only | | | | | | | | | | | | | | | | | | | | | | | | | | | | | | | | | | | | | | | | | | | | |
| 20S | -20 SAE ISO 11926; SAE 1926 | | | | | | | | | | | | | | | | | | | | | | | | | | | | | | | | | | | | | | | | | | | |
| 20M | M42 x 2.0 ISO 6149 | | | | | | | | | | | | | | | | | | | | | | | | | | | | | | | | | | | | | | | | | | | |
| Tapping Plate Port Sizes Only | | | | | | | | | | | | | | | | | | | | | | | | | | | | | | | | | | | | | | | | | | | | |
| 4S | -4 SAE ISO 11926; SAE 1926 | | | | | | | | | | | | | | | | | | | | | | | | | | | | | | | | | | | | | | | | | | | |
| 4M | M10 x 1.0 ISO 6149 | | | | | | | | | | | | | | | | | | | | | | | | | | | | | | | | | | | | | | | | | | | |

Daman S73 Servo Subplate

1.375 Port Circle

Side Ported Subplate

Valve mtg: UNC 0.31-18 x 0.88 DP or
Metric M8-1.25mm ISO 6H x [22.2] DP
Subplate hardware kit is supplied.
See page 140 for itemized list.



Specifications, descriptions, and dimensional data are subject to correction or change without notice or incurring obligation. Download latest catalog page revisions at www.damanifolds.com.

Ordering Information

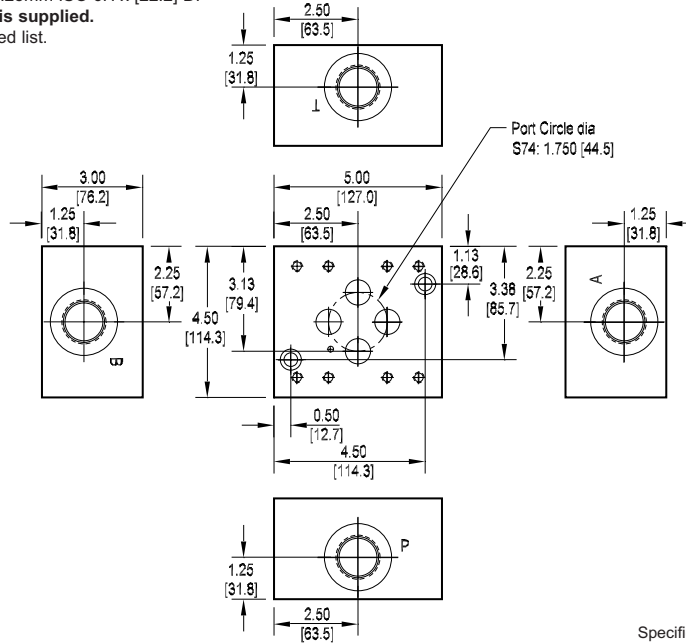
| Material | Servo Valve Pattern | Product Type | Port Location | Port Threads | | | | | | | | | | | | | | | | | | | | | | | | | | |
|--|---|--------------|---------------|--|----------|--|---|--|--|---------------|--|------------|---|--|--------------|--|-----------|----------|---|---------------|--|----------|-------------|---|--------------|--|-----------|---|-----------|--|
| <table border="1"> <thead> <tr> <th colspan="2">Material</th> </tr> </thead> <tbody> <tr> <td>A</td> <td>Aluminum - 6061-T6 3000† psi • 20.7 MPa</td> </tr> <tr> <td>D</td> <td>Ductile Iron - D4512 5000† psi • 34.5 MPa</td> </tr> <tr> <td colspan="2">† Working pressure should be considered in accordance with ISO 4413 to determine appropriate material type.</td> </tr> </tbody> </table> | Material | | A | Aluminum - 6061-T6 3000† psi • 20.7 MPa | D | Ductile Iron - D4512 5000† psi • 34.5 MPa | † Working pressure should be considered in accordance with ISO 4413 to determine appropriate material type. | | <table border="1"> <thead> <tr> <th colspan="2">Servo Pattern</th> </tr> </thead> <tbody> <tr> <td>S73</td> <td>Daman S73 See page 125 and Tech Info</td> </tr> </tbody> </table> | Servo Pattern | | S73 | Daman S73 See page 125 and Tech Info | <table border="1"> <thead> <tr> <th colspan="2">Product Type</th> </tr> </thead> <tbody> <tr> <td>SP</td> <td>Subplate</td> </tr> </tbody> </table> | Product Type | | SP | Subplate | <table border="1"> <thead> <tr> <th colspan="2">Port Location</th> </tr> </thead> <tbody> <tr> <td>S</td> <td>Side ported</td> </tr> </tbody> </table> | Port Location | | S | Side ported | <table border="1"> <thead> <tr> <th colspan="2">Port Threads</th> </tr> </thead> <tbody> <tr> <td>8S</td> <td>-8 SAE ISO 11926; SAE 1926 (X port is -4 SAE)</td> </tr> <tr> <td>8M</td> <td>M18 x 1.5 ISO 6149 (X port is M10 x 1.0)</td> </tr> </tbody> </table> | Port Threads | | 8S | -8 SAE ISO 11926; SAE 1926 (X port is -4 SAE) | 8M | M18 x 1.5 ISO 6149 (X port is M10 x 1.0) |
| Material | | | | | | | | | | | | | | | | | | | | | | | | | | | | | | |
| A | Aluminum - 6061-T6 3000† psi • 20.7 MPa | | | | | | | | | | | | | | | | | | | | | | | | | | | | | |
| D | Ductile Iron - D4512 5000† psi • 34.5 MPa | | | | | | | | | | | | | | | | | | | | | | | | | | | | | |
| † Working pressure should be considered in accordance with ISO 4413 to determine appropriate material type. | | | | | | | | | | | | | | | | | | | | | | | | | | | | | | |
| Servo Pattern | | | | | | | | | | | | | | | | | | | | | | | | | | | | | | |
| S73 | Daman S73 See page 125 and Tech Info | | | | | | | | | | | | | | | | | | | | | | | | | | | | | |
| Product Type | | | | | | | | | | | | | | | | | | | | | | | | | | | | | | |
| SP | Subplate | | | | | | | | | | | | | | | | | | | | | | | | | | | | | |
| Port Location | | | | | | | | | | | | | | | | | | | | | | | | | | | | | | |
| S | Side ported | | | | | | | | | | | | | | | | | | | | | | | | | | | | | |
| Port Threads | | | | | | | | | | | | | | | | | | | | | | | | | | | | | | |
| 8S | -8 SAE ISO 11926; SAE 1926 (X port is -4 SAE) | | | | | | | | | | | | | | | | | | | | | | | | | | | | | |
| 8M | M18 x 1.5 ISO 6149 (X port is M10 x 1.0) | | | | | | | | | | | | | | | | | | | | | | | | | | | | | |

Daman S74 Servo Subplate

1.750 Port Circle

Side Ported Subplate

Valve mtg: UNF 0.31-24 x 0.88 DP or
Metric M8-1.25mm ISO 6H x [22.2] DP
Subplate hardware kit is supplied.
See page 140 for itemized list.



Specifications, descriptions, and dimensional data are subject to correction or change without notice or incurring obligation. Download latest catalog page revisions at www.damanifolds.com.

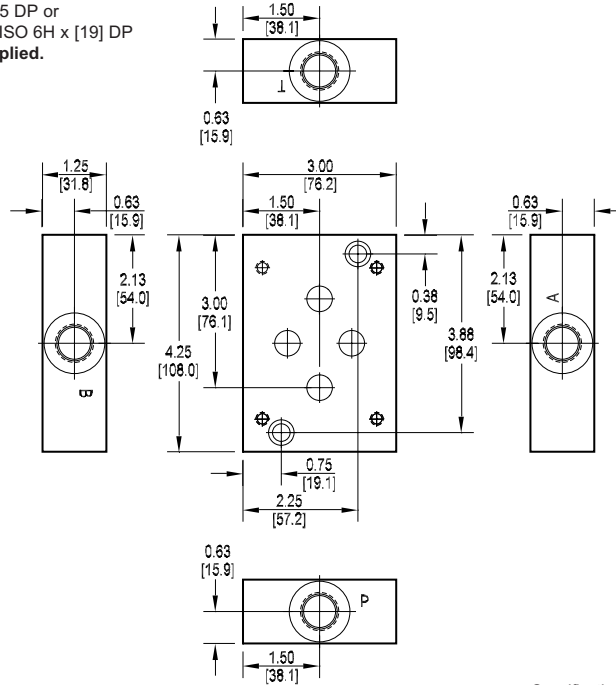
Ordering Information

| Material | Servo Valve Pattern | Product Type | Port Location | Port Threads | | | | | | | | | | | | | | | | | | | | | | | | | | |
|--|--|--------------|---------------|--|----------|--|---|--|--|---------------|--|------------|---|--|--------------|--|-----------|----------|---|---------------|--|----------|-------------|---|--------------|--|------------|--------------------------------|------------|-----------------------|
| <table border="1"> <thead> <tr> <th colspan="2">Material</th> </tr> </thead> <tbody> <tr> <td>A</td> <td>Aluminum - 6061-T6 3000† psi • 20.7 MPa</td> </tr> <tr> <td>D</td> <td>Ductile Iron - D4512 5000† psi • 34.5 MPa</td> </tr> <tr> <td colspan="2">† Working pressure should be considered in accordance with ISO 4413 to determine appropriate material type.</td> </tr> </tbody> </table> | Material | | A | Aluminum - 6061-T6 3000† psi • 20.7 MPa | D | Ductile Iron - D4512 5000† psi • 34.5 MPa | † Working pressure should be considered in accordance with ISO 4413 to determine appropriate material type. | | <table border="1"> <thead> <tr> <th colspan="2">Servo Pattern</th> </tr> </thead> <tbody> <tr> <td>S74</td> <td>Daman S74 See page 125 and Tech Info</td> </tr> </tbody> </table> | Servo Pattern | | S74 | Daman S74 See page 125 and Tech Info | <table border="1"> <thead> <tr> <th colspan="2">Product Type</th> </tr> </thead> <tbody> <tr> <td>SP</td> <td>Subplate</td> </tr> </tbody> </table> | Product Type | | SP | Subplate | <table border="1"> <thead> <tr> <th colspan="2">Port Location</th> </tr> </thead> <tbody> <tr> <td>S</td> <td>Side ported</td> </tr> </tbody> </table> | Port Location | | S | Side ported | <table border="1"> <thead> <tr> <th colspan="2">Port Threads</th> </tr> </thead> <tbody> <tr> <td>16S</td> <td>-16 SAE ISO 11926; SAE 1926</td> </tr> <tr> <td>16M</td> <td>M33 x 2.0 ISO 6149</td> </tr> </tbody> </table> | Port Threads | | 16S | -16 SAE ISO 11926; SAE 1926 | 16M | M33 x 2.0 ISO 6149 |
| Material | | | | | | | | | | | | | | | | | | | | | | | | | | | | | | |
| A | Aluminum - 6061-T6 3000† psi • 20.7 MPa | | | | | | | | | | | | | | | | | | | | | | | | | | | | | |
| D | Ductile Iron - D4512 5000† psi • 34.5 MPa | | | | | | | | | | | | | | | | | | | | | | | | | | | | | |
| † Working pressure should be considered in accordance with ISO 4413 to determine appropriate material type. | | | | | | | | | | | | | | | | | | | | | | | | | | | | | | |
| Servo Pattern | | | | | | | | | | | | | | | | | | | | | | | | | | | | | | |
| S74 | Daman S74 See page 125 and Tech Info | | | | | | | | | | | | | | | | | | | | | | | | | | | | | |
| Product Type | | | | | | | | | | | | | | | | | | | | | | | | | | | | | | |
| SP | Subplate | | | | | | | | | | | | | | | | | | | | | | | | | | | | | |
| Port Location | | | | | | | | | | | | | | | | | | | | | | | | | | | | | | |
| S | Side ported | | | | | | | | | | | | | | | | | | | | | | | | | | | | | |
| Port Threads | | | | | | | | | | | | | | | | | | | | | | | | | | | | | | |
| 16S | -16 SAE ISO 11926; SAE 1926 | | | | | | | | | | | | | | | | | | | | | | | | | | | | | |
| 16M | M33 x 2.0 ISO 6149 | | | | | | | | | | | | | | | | | | | | | | | | | | | | | |

Daman S76 Servo Subplate

Side Ported Subplate

Valve mtg: UNC 0.25-20 x 0.75 DP or
Metric M6-1.0mm ISO 6H x [19] DP
Subplate hardware kit is supplied.
See page 140 for itemized list.



Specifications, descriptions, and dimensional data are subject to correction or change without notice or incurring obligation. Download latest catalog page revisions at www.damanifolds.com.

Ordering Information

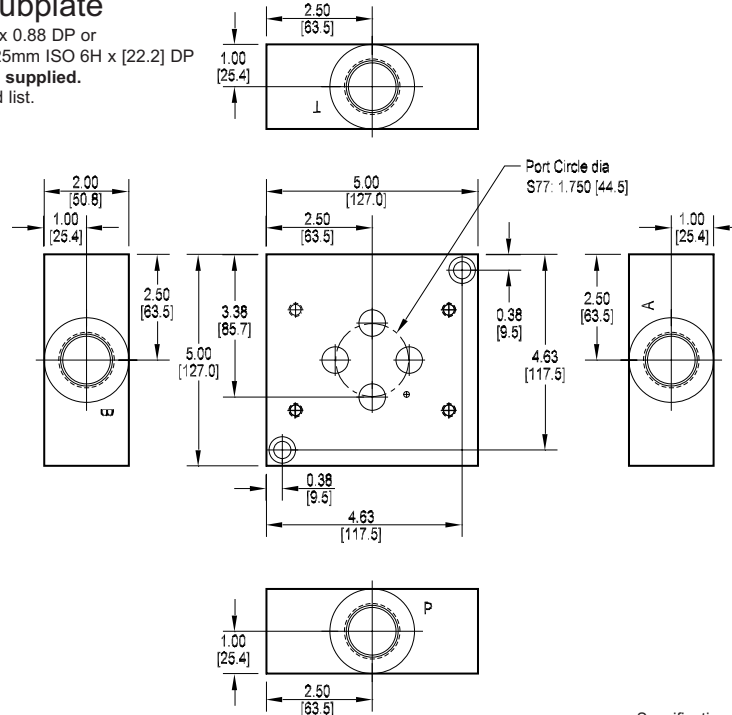
| Material | Servo Valve Pattern | Product Type | Port Location | Port Threads | | | | | | | | | | | | | | | | | | | | | | | | | | |
|--|--|--------------|---------------|--|----------|--|---|--|---|---------------|--|------------|--|--|--------------|--|-----------|----------|---|---------------|--|----------|-------------|--|--------------|--|-----------|-------------------------------|-----------|-----------------------|
| <table border="1"> <thead> <tr> <th colspan="2">Material</th> </tr> </thead> <tbody> <tr> <td>A</td> <td>Aluminum - 6061-T6 3000† psi • 20.7 MPa</td> </tr> <tr> <td>D</td> <td>Ductile Iron - D4512 5000† psi • 34.5 MPa</td> </tr> <tr> <td colspan="2">† Working pressure should be considered in accordance with ISO 4413 to determine appropriate material type.</td> </tr> </tbody> </table> | Material | | A | Aluminum - 6061-T6 3000† psi • 20.7 MPa | D | Ductile Iron - D4512 5000† psi • 34.5 MPa | † Working pressure should be considered in accordance with ISO 4413 to determine appropriate material type. | | <table border="1"> <thead> <tr> <th colspan="2">Servo Pattern</th> </tr> </thead> <tbody> <tr> <td>S76</td> <td>Daman std. S76 See page 126 and Tech Info</td> </tr> </tbody> </table> | Servo Pattern | | S76 | Daman std. S76 See page 126 and Tech Info | <table border="1"> <thead> <tr> <th colspan="2">Product Type</th> </tr> </thead> <tbody> <tr> <td>SP</td> <td>Subplate</td> </tr> </tbody> </table> | Product Type | | SP | Subplate | <table border="1"> <thead> <tr> <th colspan="2">Port Location</th> </tr> </thead> <tbody> <tr> <td>S</td> <td>Side ported</td> </tr> </tbody> </table> | Port Location | | S | Side ported | <table border="1"> <thead> <tr> <th colspan="2">Port Threads</th> </tr> </thead> <tbody> <tr> <td>8S</td> <td>-8 SAE ISO 11926; SAE 1926</td> </tr> <tr> <td>8M</td> <td>M18 x 1.5 ISO 6149</td> </tr> </tbody> </table> | Port Threads | | 8S | -8 SAE ISO 11926; SAE 1926 | 8M | M18 x 1.5 ISO 6149 |
| Material | | | | | | | | | | | | | | | | | | | | | | | | | | | | | | |
| A | Aluminum - 6061-T6 3000† psi • 20.7 MPa | | | | | | | | | | | | | | | | | | | | | | | | | | | | | |
| D | Ductile Iron - D4512 5000† psi • 34.5 MPa | | | | | | | | | | | | | | | | | | | | | | | | | | | | | |
| † Working pressure should be considered in accordance with ISO 4413 to determine appropriate material type. | | | | | | | | | | | | | | | | | | | | | | | | | | | | | | |
| Servo Pattern | | | | | | | | | | | | | | | | | | | | | | | | | | | | | | |
| S76 | Daman std. S76 See page 126 and Tech Info | | | | | | | | | | | | | | | | | | | | | | | | | | | | | |
| Product Type | | | | | | | | | | | | | | | | | | | | | | | | | | | | | | |
| SP | Subplate | | | | | | | | | | | | | | | | | | | | | | | | | | | | | |
| Port Location | | | | | | | | | | | | | | | | | | | | | | | | | | | | | | |
| S | Side ported | | | | | | | | | | | | | | | | | | | | | | | | | | | | | |
| Port Threads | | | | | | | | | | | | | | | | | | | | | | | | | | | | | | |
| 8S | -8 SAE ISO 11926; SAE 1926 | | | | | | | | | | | | | | | | | | | | | | | | | | | | | |
| 8M | M18 x 1.5 ISO 6149 | | | | | | | | | | | | | | | | | | | | | | | | | | | | | |

Daman S77 Servo Subplate

1.750 Port Circle

Side Ported Subplate

Valve mtg: UNC 0.31-18 x 0.88 DP or
Metric M8-1.25mm ISO 6H x [22.2] DP
Subplate hardware kit is supplied.
See page 140 for itemized list.



Specifications, descriptions, and dimensional data are subject to correction or change without notice or incurring obligation. Download latest catalog page revisions at www.damanifolds.com.

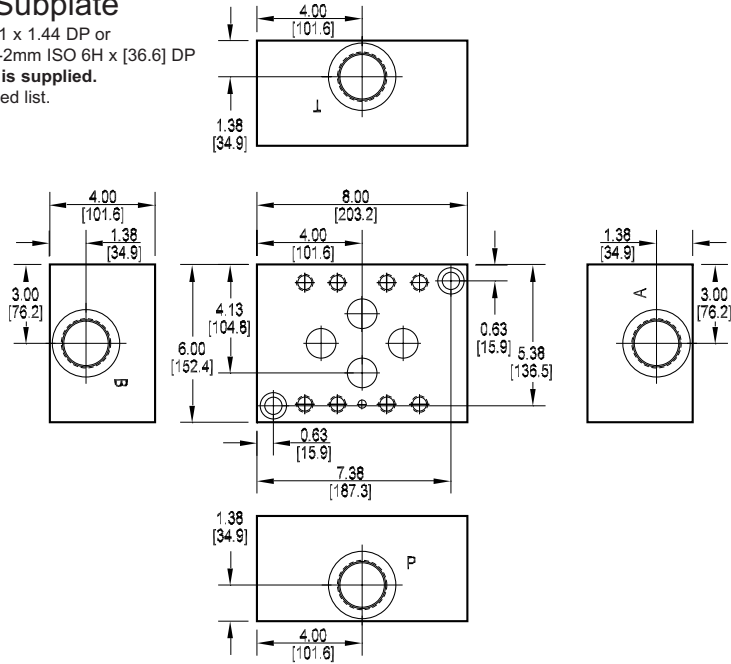
Ordering Information

| Material | Servo Valve Pattern | Product Type | Port Location | Port Threads | | | | | | | | | | | | | | | | | | | | | | | | | | |
|--|--|--------------|---------------|--|----------|--|---|--|--|---------------|--|------------|---|--|--------------|--|-----------|----------|---|---------------|--|----------|-------------|---|--------------|--|------------|--------------------------------|------------|-----------------------|
| <table border="1"> <thead> <tr> <th colspan="2">Material</th> </tr> </thead> <tbody> <tr> <td>A</td> <td>Aluminum - 6061-T6 3000† psi • 20.7 MPa</td> </tr> <tr> <td>D</td> <td>Ductile Iron - D4512 5000† psi • 34.5 MPa</td> </tr> <tr> <td colspan="2">† Working pressure should be considered in accordance with ISO 4413 to determine appropriate material type.</td> </tr> </tbody> </table> | Material | | A | Aluminum - 6061-T6 3000† psi • 20.7 MPa | D | Ductile Iron - D4512 5000† psi • 34.5 MPa | † Working pressure should be considered in accordance with ISO 4413 to determine appropriate material type. | | <table border="1"> <thead> <tr> <th colspan="2">Servo Pattern</th> </tr> </thead> <tbody> <tr> <td>S77</td> <td>Daman S77 See page 126 and Tech Info</td> </tr> </tbody> </table> | Servo Pattern | | S77 | Daman S77 See page 126 and Tech Info | <table border="1"> <thead> <tr> <th colspan="2">Product Type</th> </tr> </thead> <tbody> <tr> <td>SP</td> <td>Subplate</td> </tr> </tbody> </table> | Product Type | | SP | Subplate | <table border="1"> <thead> <tr> <th colspan="2">Port Location</th> </tr> </thead> <tbody> <tr> <td>S</td> <td>Side ported</td> </tr> </tbody> </table> | Port Location | | S | Side ported | <table border="1"> <thead> <tr> <th colspan="2">Port Threads</th> </tr> </thead> <tbody> <tr> <td>16S</td> <td>-16 SAE ISO 11926; SAE 1926</td> </tr> <tr> <td>16M</td> <td>M33 x 2.0 ISO 6149</td> </tr> </tbody> </table> | Port Threads | | 16S | -16 SAE ISO 11926; SAE 1926 | 16M | M33 x 2.0 ISO 6149 |
| Material | | | | | | | | | | | | | | | | | | | | | | | | | | | | | | |
| A | Aluminum - 6061-T6 3000† psi • 20.7 MPa | | | | | | | | | | | | | | | | | | | | | | | | | | | | | |
| D | Ductile Iron - D4512 5000† psi • 34.5 MPa | | | | | | | | | | | | | | | | | | | | | | | | | | | | | |
| † Working pressure should be considered in accordance with ISO 4413 to determine appropriate material type. | | | | | | | | | | | | | | | | | | | | | | | | | | | | | | |
| Servo Pattern | | | | | | | | | | | | | | | | | | | | | | | | | | | | | | |
| S77 | Daman S77 See page 126 and Tech Info | | | | | | | | | | | | | | | | | | | | | | | | | | | | | |
| Product Type | | | | | | | | | | | | | | | | | | | | | | | | | | | | | | |
| SP | Subplate | | | | | | | | | | | | | | | | | | | | | | | | | | | | | |
| Port Location | | | | | | | | | | | | | | | | | | | | | | | | | | | | | | |
| S | Side ported | | | | | | | | | | | | | | | | | | | | | | | | | | | | | |
| Port Threads | | | | | | | | | | | | | | | | | | | | | | | | | | | | | | |
| 16S | -16 SAE ISO 11926; SAE 1926 | | | | | | | | | | | | | | | | | | | | | | | | | | | | | |
| 16M | M33 x 2.0 ISO 6149 | | | | | | | | | | | | | | | | | | | | | | | | | | | | | |

Daman S78 Servo Subplate

Side Ported Subplate

Valve mtg: UNC 0.63-11 x 1.44 DP or
Metric M16-2mm ISO 6H x [36.6] DP
Subplate hardware kit is supplied.
See page 140 for itemized list.



Specifications, descriptions, and dimensional data are subject to correction or change without notice or incurring obligation. Download latest catalog page revisions at www.damanifolds.com.

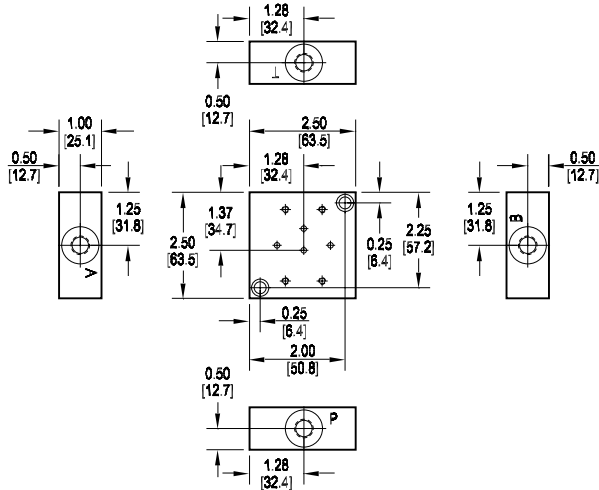
Ordering Information

| Material | Servo Valve Pattern | Product Type | Port Location | Port Threads | | | | | | | | | | | | | | | | | | | | | | | | | | |
|--|--|--------------|---------------|--|----------|--|---|--|--|---------------|--|------------|---|--|--------------|--|-----------|----------|---|---------------|--|----------|-------------|---|--------------|--|------------|--------------------------------|------------|-----------------------|
| <table border="1"> <thead> <tr> <th colspan="2">Material</th> </tr> </thead> <tbody> <tr> <td>A</td> <td>Aluminum - 6061-T6 3000† psi • 20.7 MPa</td> </tr> <tr> <td>D</td> <td>Ductile Iron - D4512 5000† psi • 34.5 MPa</td> </tr> <tr> <td colspan="2">† Working pressure should be considered in accordance with ISO 4413 to determine appropriate material type.</td> </tr> </tbody> </table> | Material | | A | Aluminum - 6061-T6 3000† psi • 20.7 MPa | D | Ductile Iron - D4512 5000† psi • 34.5 MPa | † Working pressure should be considered in accordance with ISO 4413 to determine appropriate material type. | | <table border="1"> <thead> <tr> <th colspan="2">Servo Pattern</th> </tr> </thead> <tbody> <tr> <td>S78</td> <td>Daman S78 See page 126 and Tech Info</td> </tr> </tbody> </table> | Servo Pattern | | S78 | Daman S78 See page 126 and Tech Info | <table border="1"> <thead> <tr> <th colspan="2">Product Type</th> </tr> </thead> <tbody> <tr> <td>SP</td> <td>Subplate</td> </tr> </tbody> </table> | Product Type | | SP | Subplate | <table border="1"> <thead> <tr> <th colspan="2">Port Location</th> </tr> </thead> <tbody> <tr> <td>S</td> <td>Side ported</td> </tr> </tbody> </table> | Port Location | | S | Side ported | <table border="1"> <thead> <tr> <th colspan="2">Port Threads</th> </tr> </thead> <tbody> <tr> <td>24S</td> <td>-24 SAE ISO 11926; SAE 1926</td> </tr> <tr> <td>24M</td> <td>M48 x 2.0 ISO 6149</td> </tr> </tbody> </table> | Port Threads | | 24S | -24 SAE ISO 11926; SAE 1926 | 24M | M48 x 2.0 ISO 6149 |
| Material | | | | | | | | | | | | | | | | | | | | | | | | | | | | | | |
| A | Aluminum - 6061-T6 3000† psi • 20.7 MPa | | | | | | | | | | | | | | | | | | | | | | | | | | | | | |
| D | Ductile Iron - D4512 5000† psi • 34.5 MPa | | | | | | | | | | | | | | | | | | | | | | | | | | | | | |
| † Working pressure should be considered in accordance with ISO 4413 to determine appropriate material type. | | | | | | | | | | | | | | | | | | | | | | | | | | | | | | |
| Servo Pattern | | | | | | | | | | | | | | | | | | | | | | | | | | | | | | |
| S78 | Daman S78 See page 126 and Tech Info | | | | | | | | | | | | | | | | | | | | | | | | | | | | | |
| Product Type | | | | | | | | | | | | | | | | | | | | | | | | | | | | | | |
| SP | Subplate | | | | | | | | | | | | | | | | | | | | | | | | | | | | | |
| Port Location | | | | | | | | | | | | | | | | | | | | | | | | | | | | | | |
| S | Side ported | | | | | | | | | | | | | | | | | | | | | | | | | | | | | |
| Port Threads | | | | | | | | | | | | | | | | | | | | | | | | | | | | | | |
| 24S | -24 SAE ISO 11926; SAE 1926 | | | | | | | | | | | | | | | | | | | | | | | | | | | | | |
| 24M | M48 x 2.0 ISO 6149 | | | | | | | | | | | | | | | | | | | | | | | | | | | | | |

Daman S82, S87 Servo Subplates

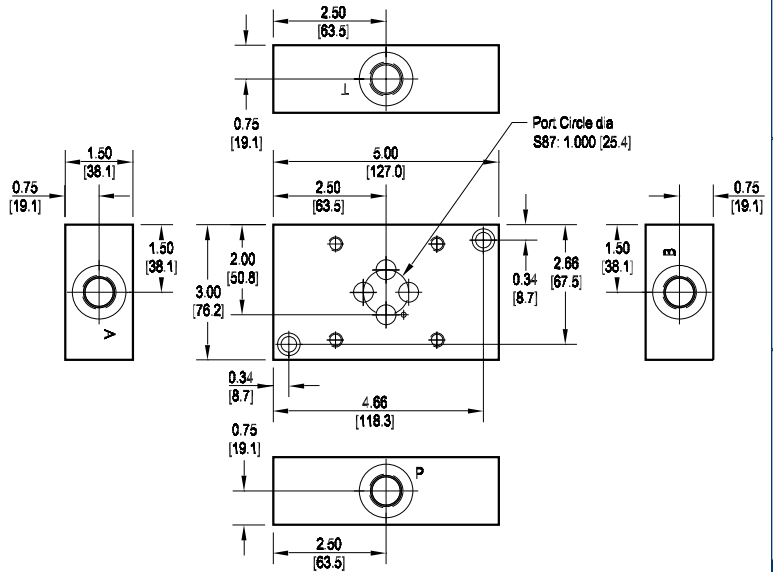
S82 Side Ported Subplate

Valve mtg: Metric M4-0.7mm ISO 6H x 0.50 [12.7] DP
 Subplate hardware kit is supplied.
 See page 140 for itemized list.



S87 Side Ported Subplate

Valve mtg: UNC 0.31-18 x 0.88 DP or
 Metric M8-1.25mm ISO 6H x [22] DP
 Subplate hardware kit is supplied.
 See page 140 for itemized list.



Specifications, descriptions, and dimensional data are subject to correction or change without notice or incurring obligation. Download latest catalog page revisions at www.damanifolds.com.

Ordering Information

| Material | Servo Valve Pattern | Product Type | Port Location | Port Threads |
|----------|---------------------|--------------|---------------|--------------|
|----------|---------------------|--------------|---------------|--------------|

| Material | |
|---|--|
| A | Aluminum - 6061-T6 3000† psi • 20.7 MPa |
| D | Ductile Iron - D4512 5000† psi • 34.5 MPa |
| † Working pressure should be considered in accordance with ISO 4413 to determine appropriate material type. | |

| Product Type | |
|--------------|----------|
| SP | Subplate |

| Port Threads | |
|-------------------|-------------------------------|
| S82 Subplate only | |
| 4S | -4 SAE ISO 11926; SAE 1926 |
| 4M | M10 x 1.0 ISO 6149 |
| S87 Subplate only | |
| 8S | -8 SAE ISO 11926; SAE 1926 |
| 8M | M18 x 1.5 ISO 6149 |

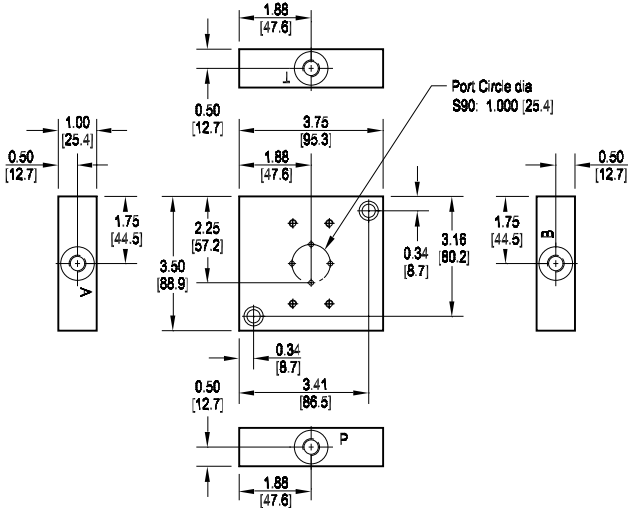
| Servo Pattern | |
|---------------|---|
| S82 | Daman S82 See page 126 and Tech Info |
| S87 | Daman S87 See page 126 and Tech Info |

| Port Location | |
|---------------|-------------|
| S | Side ported |

Daman S90, S92 Servo Subplate

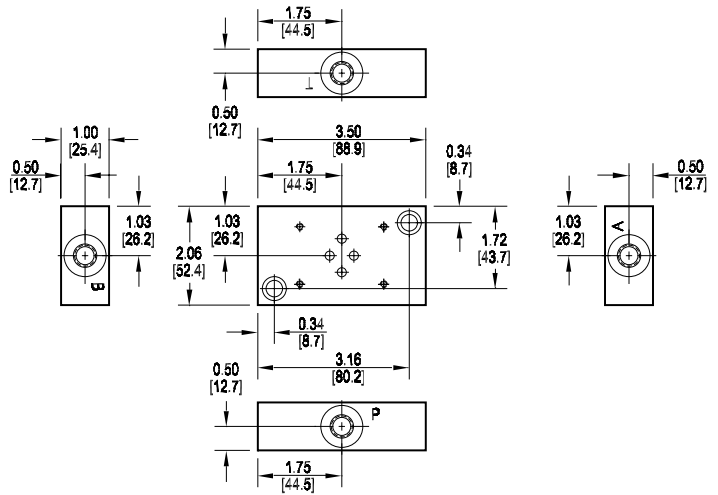
S90 Side Ported Subplate

Valve mtg: UNC #10-24 x 0.63 DP or
Metric M5-0.8mm ISO 6H x [16] DP
Subplate hardware kit is supplied.
See page 140 for itemized list.



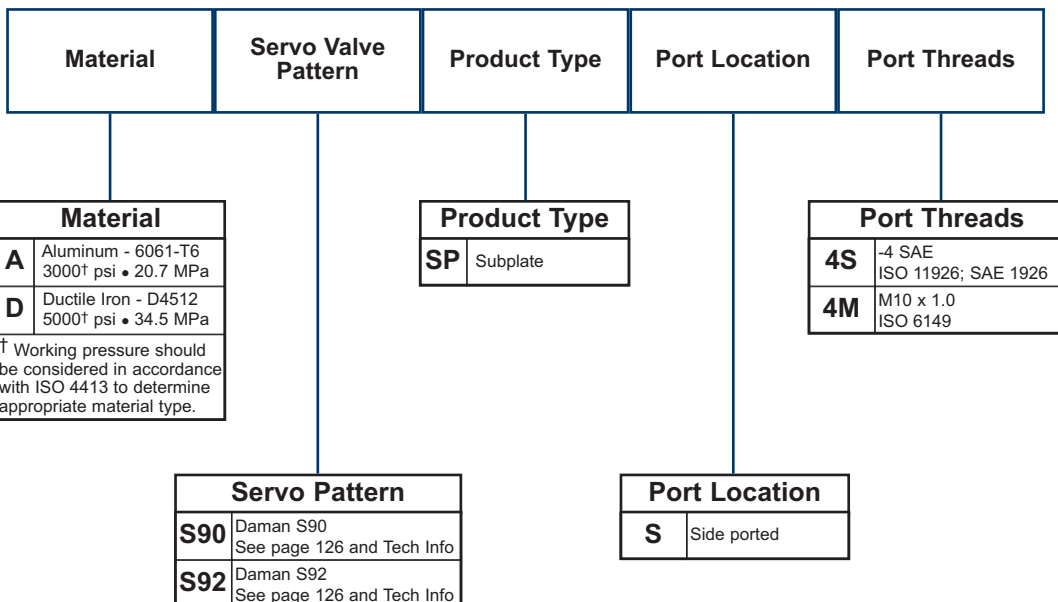
S92 Side Ported Subplate

Valve mtg: UNC #8-32 x 0.63 DP or
Metric M4-0.7mm ISO 6H x [16] DP
Subplate hardware kit is supplied.
See page 140 for itemized list.



Specifications, descriptions, and dimensional data are subject to correction or change without notice or incurring obligation. Download latest catalog page revisions at www.damanifolds.com.

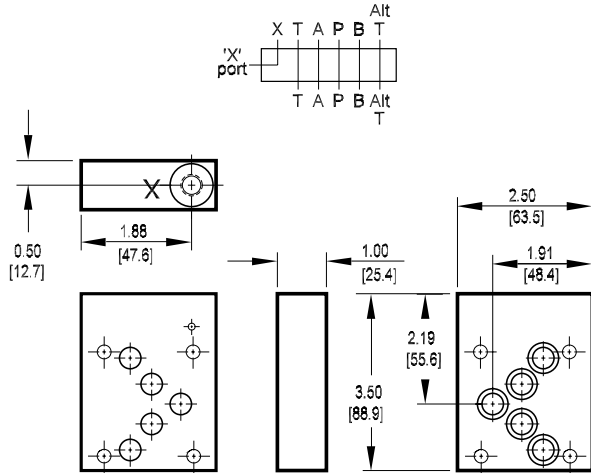
Ordering Information



D05 Servo Valve Tapping Plates

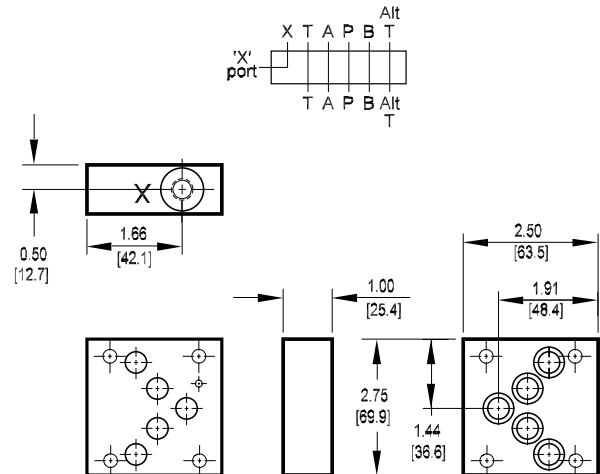
D05-S1, D05-S2, D05-S3 Pilot Port Tapping Plate

Subplate interface seal kit is supplied.
See page 140 for itemized list.



D05-S4 Pilot Port Tapping Plate

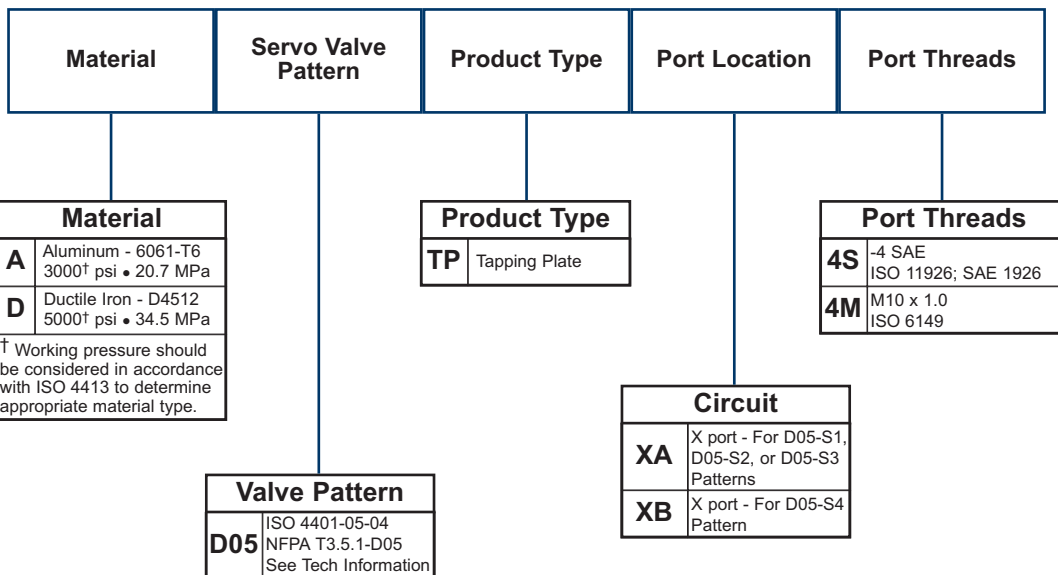
Subplate interface seal kit is supplied.
See page 140 for itemized list.



Note: These tapping plates are designed to be used with standard D05 manifolds or subplates. They provide an external pilot port for the servo valves referenced. If the servo valve uses an internal pilot, these tapping plates are not needed. The servo valve may be mounted directly to our D05 manifold or subplate.


Specifications, descriptions, and dimensional data are subject to correction or change without notice or incurring obligation. Download latest catalog page revisions at www.damanifolds.com.

Ordering Information



Servo Valve Product Mounting Hardware

| Part no. | Cat. pg. | Mounting Screws | Viton O-rings | Locating Pins | Plugs |
|--|----------|---|----------------------|--------------------------|----------------------------|
| * S01 SP S 4S * S01 SP S 4M | 128 | (2) UNC 0.25-20 x 0.88 long SHCS (2) ISO 6H M6-1.0 x 22mm SHCS | n/a | n/a | n/a |
| * S02 SP S 8S * S03 SP S 8S * S71 SP S 8S * S72 SP S 8S * S83 SP S 8S * S85 SP S 8S | 129 | (2) UNC 0.31-18 x 1.25 long SHCS | n/a | n/a | n/a |
| * S02 SP S 8M * S03 SP S 8M * S71 SP S 8M * S72 SP S 8M * S83 SP S 8M * S85 SP S 8M | 129 | (2) ISO 6H M8-1.25 x 35mm SHCS | n/a | n/a | n/a |
| * S02 TP X 4* * S71 TP X 4* | 129 | n/a | (4) -010 (4) -011 | (1) 0.09 dia x 0.25 long | n/a |
| * S04 SP S 12S * S04 SP S 12M | 130 | (2) UNC 0.31-18 x 2.00 long SHCS (2) ISO 6H M8-1.25 x 50mm SHCS | n/a | n/a | n/a |
| * S04 TP X 4S | 130 | n/a | (4) -013 | (1) 0.12 dia x 0.25 long | (1) -4 SAE hex socket plug |
| * S04 TP X 4M | 130 | n/a | (4) -013 | (1) 0.12 dia x 0.25 long | n/a |
| * S06 SP S 20S * S06 SP S 20M | 131 | (2) UNC 0.38-16 x 2.50 long SHCS (2) ISO 6H M10-1.5 x 65mm SHCS | n/a | n/a | n/a |
| * S06 TP X 4* | 131 | n/a | (4) -020 | (1) 0.25 dia x 0.38 long | n/a |
| * S73 SP S 8S * S73 SP S 8M | 132 | (2) UNC 0.31-18 x 1.25 long SHCS (2) ISO 6H M8-1.25 x 35mm SHCS | n/a | n/a | n/a |
| * S74 SP S 16S * S74 SP S 16M | 133 | (2) UNC 0.38-16 x 3.00 long SHCS (2) ISO 6H M10-1.5 x 75mm SHCS | n/a | n/a | n/a |
| * S76 SP S 8S * S76 SP S 8M | 134 | (2) UNC 0.31-18 x 1.25 long SHCS (2) ISO 6H M8-1.25 x 35mm SHCS | n/a | n/a | n/a |
| * S77 SP S 16S * S77 SP S 16M | 135 | (2) UNC 0.38-16 x 2.00 long SHCS (2) ISO 6H M10-1.5 x 50mm SHCS | n/a | n/a | n/a |
| * S78 SP S 24S * S78 SP S 24M | 136 | (2) UNC 0.62-11 x 4.00 long SHCS (2) ISO 6H M16-2.0 x 100mm SHCS | n/a | n/a | n/a |
| * S82 SP S 4S * S82 SP S 4M | 137 | (2) UNC 0.25-20 x 1.00 long SHCS (2) ISO 6H M6-1.0 x 25mm SHCS | n/a | n/a | n/a |
| * S87 SP S 8S * S87 SP S 8M | 137 | (2) UNC 0.31-18 x 1.50 long SHCS (2) ISO 6H M8-1.25 x 40mm SHCS | n/a | n/a | n/a |
| * S90 SP S 4S * S90 SP S 4M | 138 | (2) UNC 0.31-18 x 1.25 long SHCS (2) ISO 6H M8-1.25 x 35mm SHCS | n/a | n/a | n/a |
| * S92 SP S 4S * S92 SP S 4M | 138 | (2) UNC 0.31-18 x 1.25 long SHCS (2) ISO 6H M8-1.25 x 35mm SHCS | n/a | n/a | n/a |
| * D05 TP XA 4* * D05 TP XB 4* | 139 | n/a | (5) -014 | n/a | n/a |



Hydraulic Valve Manifolds Better System Design Begins with a Manifold.

TAPPING PLATES

D03 Tapping Plates Pages 142-144

D05 Tapping Plates Pages 145-147

D05 Tapping Plates with Pilot Ports Pages 148-152

D07 Tapping Plates Pages 153-156

D08 Tapping Plates Pages 157-160

D10 Tapping Plates Page 161

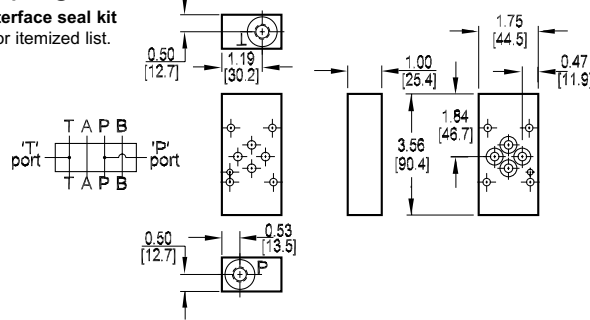
Flange Mount Bodies Pages 162-163

Mounting Hardware Page 164

D03 Tapping Plates

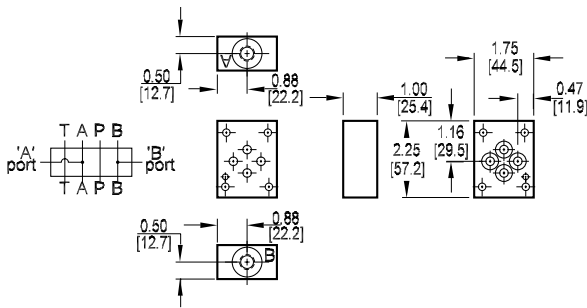
P and T Port Tapping Plate

Tapping Plate hardware / interface seal kit is supplied. See page 164 for itemized list.



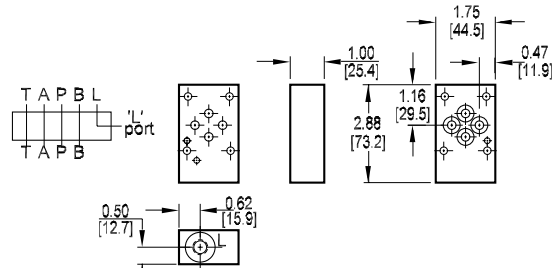
A and B Port Tapping Plate

Tapping Plate hardware / interface seal kit is supplied. See page 164 for itemized list.



L Port Tapping Plate

Tapping Plate hardware / interface seal kit is supplied. See page 164 for itemized list.



Specifications, descriptions, and dimensional data are subject to correction or change without notice or incurring obligation. Download latest catalog page revisions at www.damanifolds.com.

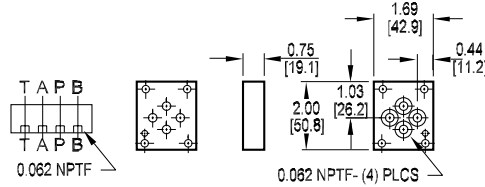
Ordering Information

| Material | Valve Pattern | Product Type | Circuit | Port Threads | | | | | | | | | | | | | | | | | | | | | | | | | | | | | | | | | | | | |
|--|--|--------------|----------|--|----------|--|---|--|--|---------------|--|------------|--|---|--------------|--|-----------|---------------|---|---------|--|-----------|------------------------|-----------|------------------------|----------|-----------------|--|--------------|--|-----------|------------------------------|-----------|-------------------------------|-----------|-----------------------------------|-----------|-----------------------|-----------|------------------------------|
| <table border="1"> <thead> <tr> <th colspan="2">Material</th> </tr> </thead> <tbody> <tr> <td>A</td> <td>Aluminum - 6061-T6 3000† psi • 20.7 MPa</td> </tr> <tr> <td>D</td> <td>Ductile Iron - D4512 5000† psi • 34.5 MPa</td> </tr> <tr> <td colspan="2">† Working pressure should be considered in accordance with ISO 4413 to determine appropriate material type.</td> </tr> </tbody> </table> | Material | | A | Aluminum - 6061-T6 3000† psi • 20.7 MPa | D | Ductile Iron - D4512 5000† psi • 34.5 MPa | † Working pressure should be considered in accordance with ISO 4413 to determine appropriate material type. | | <table border="1"> <thead> <tr> <th colspan="2">Valve Pattern</th> </tr> </thead> <tbody> <tr> <td>D03</td> <td>ISO 4401-03-02 NFPA T3.5.1-D03 See Tech Infomation</td> </tr> </tbody> </table> | Valve Pattern | | D03 | ISO 4401-03-02 NFPA T3.5.1-D03 See Tech Infomation | <table border="1"> <thead> <tr> <th colspan="2">Product Type</th> </tr> </thead> <tbody> <tr> <td>TP</td> <td>Tapping Plate</td> </tr> </tbody> </table> | Product Type | | TP | Tapping Plate | <table border="1"> <thead> <tr> <th colspan="2">Circuit</th> </tr> </thead> <tbody> <tr> <td>PT</td> <td>P and T ports provided</td> </tr> <tr> <td>AB</td> <td>A and B ports provided</td> </tr> <tr> <td>L</td> <td>L port provided</td> </tr> </tbody> </table> | Circuit | | PT | P and T ports provided | AB | A and B ports provided | L | L port provided | <table border="1"> <thead> <tr> <th colspan="2">Port Threads</th> </tr> </thead> <tbody> <tr> <td>4P</td> <td>0.25-18 NPTF ANSI B1.20.3</td> </tr> <tr> <td>4S</td> <td>-4 SAE ISO 11926; SAE 1926</td> </tr> <tr> <td>4B</td> <td>0.25-19 BSPP ISO 1179; BS 2779</td> </tr> <tr> <td>4M</td> <td>M10 x 1.0 ISO 6149</td> </tr> <tr> <td>4T</td> <td>0.25-19 BSPT ISO 7; BS 21</td> </tr> </tbody> </table> | Port Threads | | 4P | 0.25-18 NPTF ANSI B1.20.3 | 4S | -4 SAE ISO 11926; SAE 1926 | 4B | 0.25-19 BSPP ISO 1179; BS 2779 | 4M | M10 x 1.0 ISO 6149 | 4T | 0.25-19 BSPT ISO 7; BS 21 |
| Material | | | | | | | | | | | | | | | | | | | | | | | | | | | | | | | | | | | | | | | | |
| A | Aluminum - 6061-T6 3000† psi • 20.7 MPa | | | | | | | | | | | | | | | | | | | | | | | | | | | | | | | | | | | | | | | |
| D | Ductile Iron - D4512 5000† psi • 34.5 MPa | | | | | | | | | | | | | | | | | | | | | | | | | | | | | | | | | | | | | | | |
| † Working pressure should be considered in accordance with ISO 4413 to determine appropriate material type. | | | | | | | | | | | | | | | | | | | | | | | | | | | | | | | | | | | | | | | | |
| Valve Pattern | | | | | | | | | | | | | | | | | | | | | | | | | | | | | | | | | | | | | | | | |
| D03 | ISO 4401-03-02 NFPA T3.5.1-D03 See Tech Infomation | | | | | | | | | | | | | | | | | | | | | | | | | | | | | | | | | | | | | | | |
| Product Type | | | | | | | | | | | | | | | | | | | | | | | | | | | | | | | | | | | | | | | | |
| TP | Tapping Plate | | | | | | | | | | | | | | | | | | | | | | | | | | | | | | | | | | | | | | | |
| Circuit | | | | | | | | | | | | | | | | | | | | | | | | | | | | | | | | | | | | | | | | |
| PT | P and T ports provided | | | | | | | | | | | | | | | | | | | | | | | | | | | | | | | | | | | | | | | |
| AB | A and B ports provided | | | | | | | | | | | | | | | | | | | | | | | | | | | | | | | | | | | | | | | |
| L | L port provided | | | | | | | | | | | | | | | | | | | | | | | | | | | | | | | | | | | | | | | |
| Port Threads | | | | | | | | | | | | | | | | | | | | | | | | | | | | | | | | | | | | | | | | |
| 4P | 0.25-18 NPTF ANSI B1.20.3 | | | | | | | | | | | | | | | | | | | | | | | | | | | | | | | | | | | | | | | |
| 4S | -4 SAE ISO 11926; SAE 1926 | | | | | | | | | | | | | | | | | | | | | | | | | | | | | | | | | | | | | | | |
| 4B | 0.25-19 BSPP ISO 1179; BS 2779 | | | | | | | | | | | | | | | | | | | | | | | | | | | | | | | | | | | | | | | |
| 4M | M10 x 1.0 ISO 6149 | | | | | | | | | | | | | | | | | | | | | | | | | | | | | | | | | | | | | | | |
| 4T | 0.25-19 BSPT ISO 7; BS 21 | | | | | | | | | | | | | | | | | | | | | | | | | | | | | | | | | | | | | | | |

D03 Tapping Plates

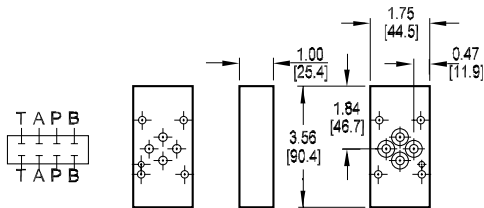
Orifice Tapping Plate

Tapping Plate hardware / interface seal kit is supplied. See page 164 for itemized list.



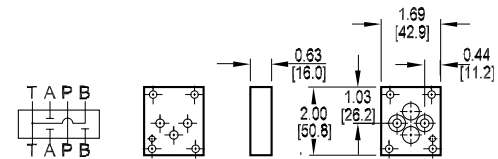
Spot Drilled Tapping Plate

Tapping Plate hardware / interface seal kit is supplied. See page 164 for itemized list.



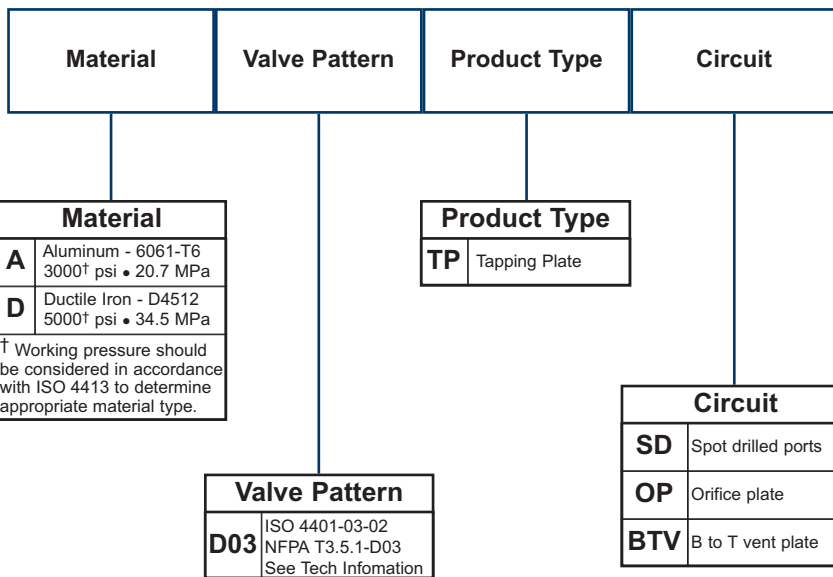
B to T vent Tapping Plate

Tapping Plate hardware / interface seal kit is supplied. See page 164 for itemized list.



Specifications, descriptions, and dimensional data are subject to correction or change without notice or incurring obligation. Download latest catalog page revisions at www.damanifolds.com.

Ordering Information

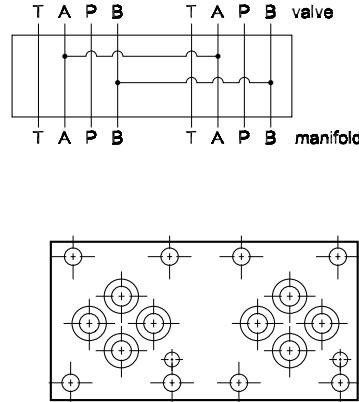
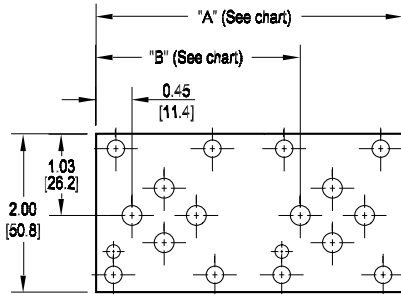


D03 Tapping Plates

D03 Two Station Tapping Plate

A₁ common to A₂, B₁ common to B₂

Tapping Plate hardware / interface seal kit is supplied. See page 164 for itemized list.

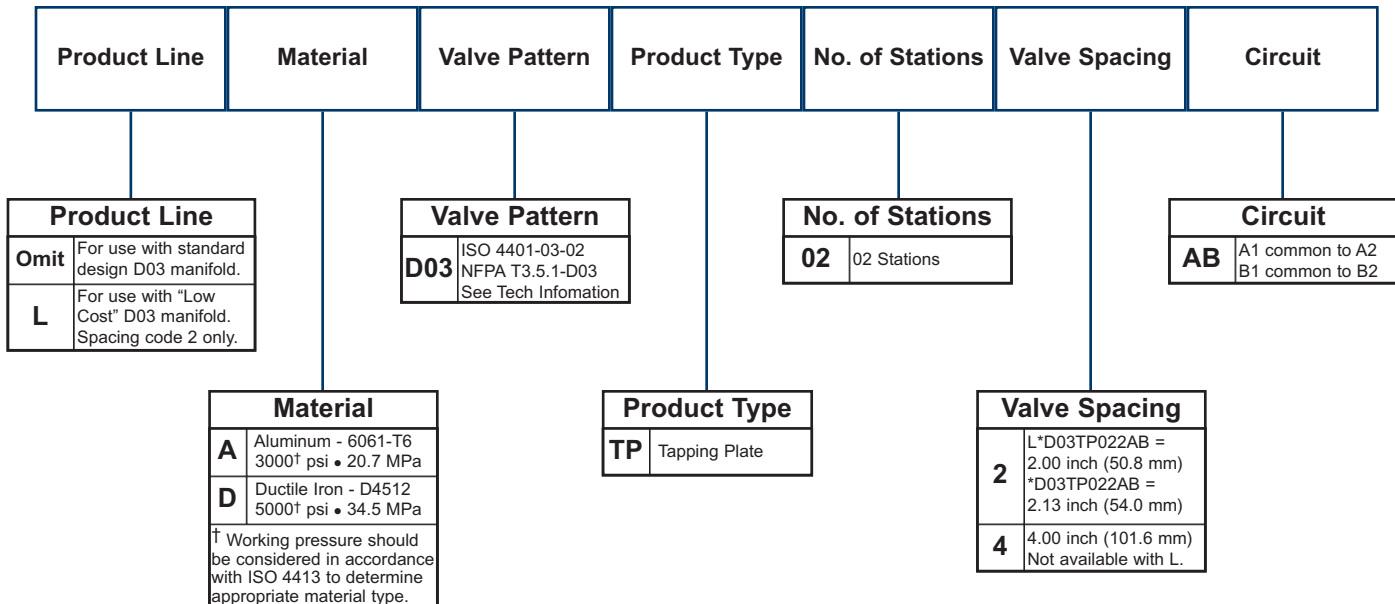


| Dimension | A | B |
|--------------|-----------------|-----------------|
| *D03TP022AB | 3.88 [98.6] | 2.58 [65.5] |
| *D03TP024AB | 5.75 [146.1] | 4.45 [113.1] |
| L*D03TP022AB | 3.75 [95.3] | 2.45 [62.3] |

There are two different tapping plate models with spacing code 2 available. This is necessary to cover the variation of valve spacing between the standard design and the LC (low cost) design of D03 manifolds. The standard manifold design has 2.125" valve spacing while the LC design has 2.000" valve spacing. An L is added to the front of the model number to denote the tapping plate designed to be used with the LC manifold. Note that a single model is required with spacing code 4 as both the standard and LC designs have 4.000 spacing.

Specifications, descriptions, and dimensional data are subject to correction or change without notice or incurring obligation. Download latest catalog page revisions at www.damanifolds.com.

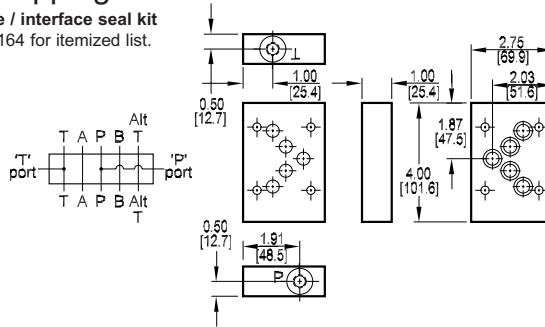
Ordering Information



D05 Tapping Plates

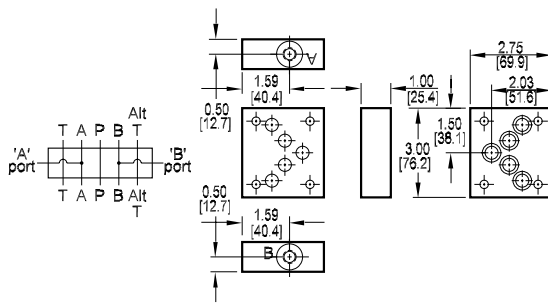
P and T Port Tapping Plate

Tapping Plate hardware / interface seal kit is supplied. See page 164 for itemized list.



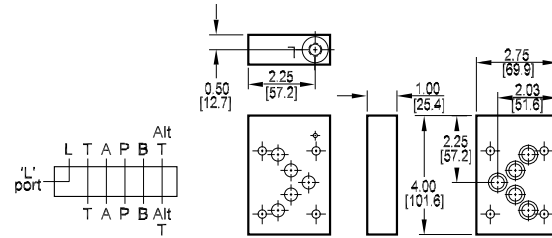
A and B Port Tapping Plate

Tapping Plate hardware / interface seal kit is supplied. See page 164 for itemized list.



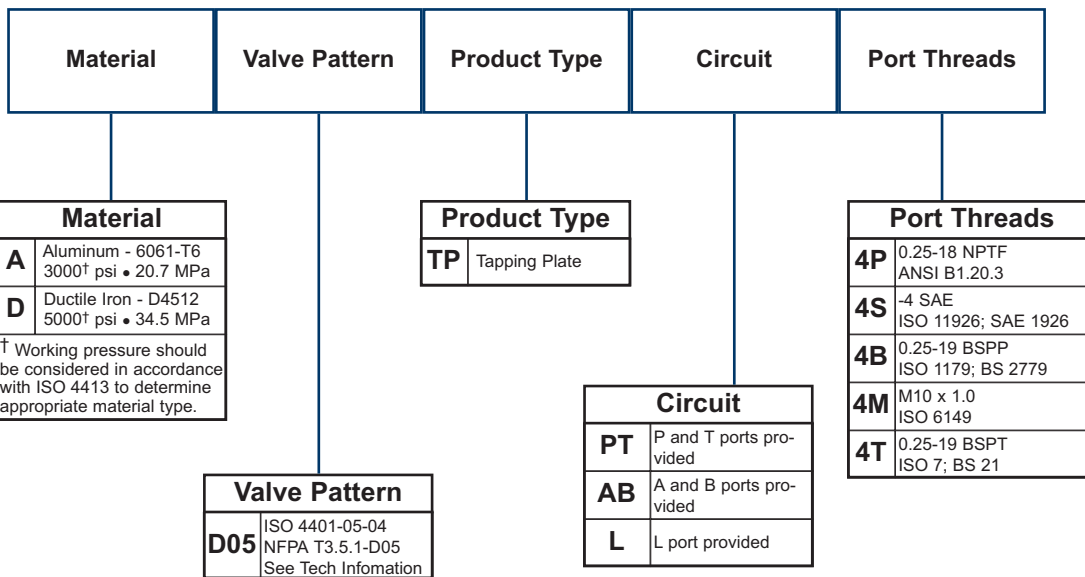
L Port Tapping Plate

Tapping Plate interface seal kit is supplied. See page 164 for itemized list.



Specifications, descriptions, and dimensional data are subject to correction or change without notice or incurring obligation. Download latest catalog page revisions at www.damanifolds.com.

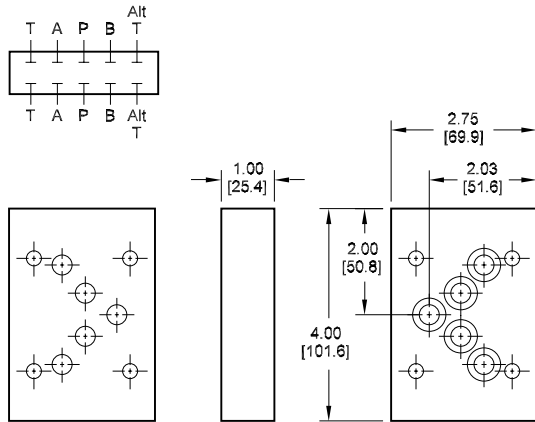
Ordering Information



D05 Tapping Plates

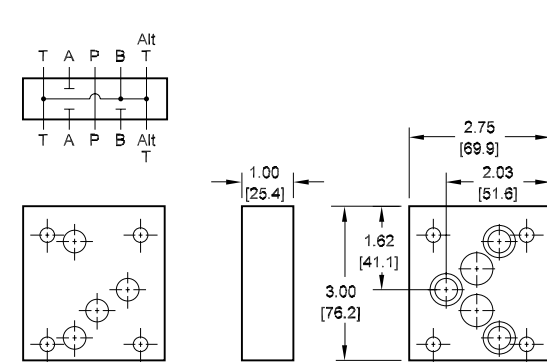
Spot Drilled Tapping Plate

Tapping Plate interface seal kit is supplied.
See page 164 for itemized list.



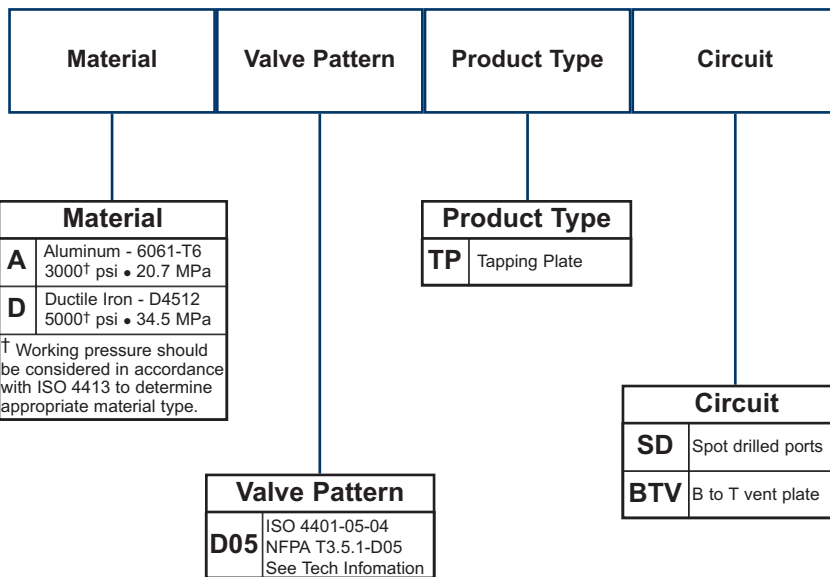
B to T vent Tapping Plate

Tapping Plate interface seal kit is supplied.
See page 164 for itemized list.



Specifications, descriptions, and dimensional data are subject to correction or change without notice or incurring obligation. Download latest catalog page revisions at www.damanifolds.com.

Ordering Information



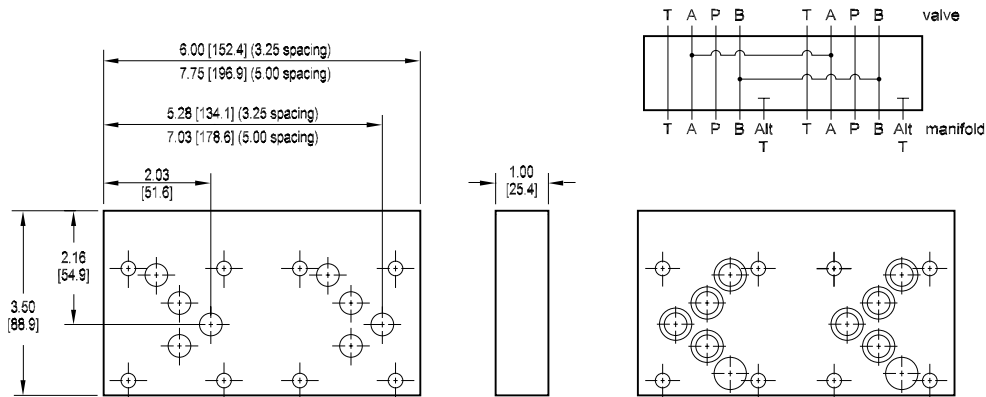
D05 Tapping Plates

D05 Two Station Tapping Plate

A₁ common to A₂, B₁ common to B₂

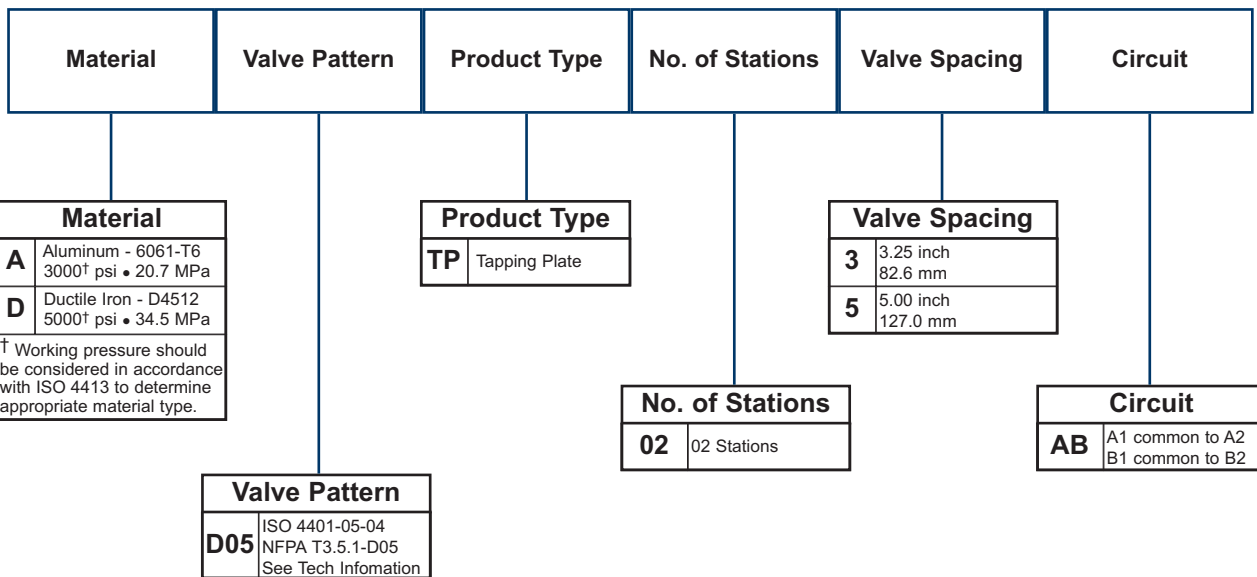
Tapping Plate interface seal kit is supplied.

See page 164 for itemized list.



Specifications, descriptions, and dimensional data are subject to correction or change without notice or incurring obligation. Download latest catalog page revisions at www.damanifolds.com.

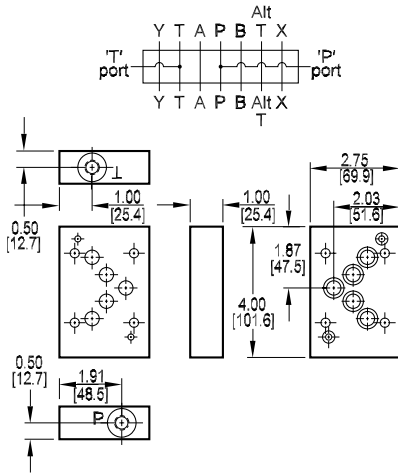
Ordering Information



D05 Tapping Plates with USA Pilot Ports

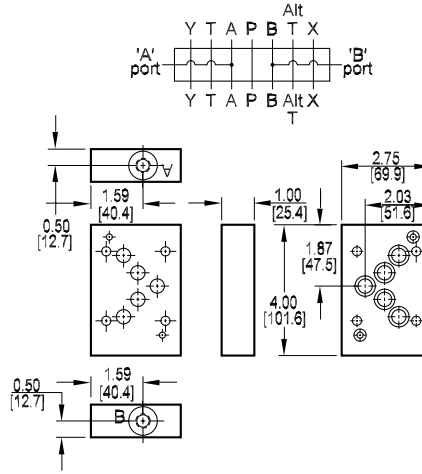
P and T Port Tapping Plate

Tapping Plate hardware / interface seal kit is supplied. See page 164 for itemized list.



A and B Port Tapping Plate

Tapping Plate hardware / interface seal kit is supplied. See page 164 for itemized list.



Specifications, descriptions, and dimensional data are subject to correction or change without notice or incurring obligation. Download latest catalog page revisions at www.damanifolds.com.

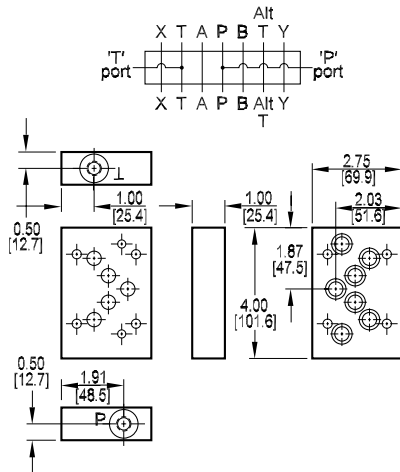
Ordering Information

| Material | Valve Pattern | Product Type | Circuit | Port Threads | | | | | | | | | | | | | | | | | | | | | | | | | | | | | | | | | | |
|--|---|--------------|----------|--|----------|--|---|--|--|---------------|--|-------------|---|---|--------------|--|-----------|---------------|---|---------|--|-----------|------------------------|-----------|------------------------|--|--------------|--|-----------|------------------------------|-----------|-------------------------------|-----------|-----------------------------------|-----------|-----------------------|-----------|------------------------------|
| <table border="1"> <thead> <tr> <th colspan="2">Material</th> </tr> </thead> <tbody> <tr> <td>A</td> <td>Aluminum - 6061-T6 3000† psi • 20.7 MPa</td> </tr> <tr> <td>D</td> <td>Ductile Iron - D4512 5000† psi • 34.5 MPa</td> </tr> <tr> <td colspan="2">† Working pressure should be considered in accordance with ISO 4413 to determine appropriate material type.</td> </tr> </tbody> </table> | Material | | A | Aluminum - 6061-T6 3000† psi • 20.7 MPa | D | Ductile Iron - D4512 5000† psi • 34.5 MPa | † Working pressure should be considered in accordance with ISO 4413 to determine appropriate material type. | | <table border="1"> <thead> <tr> <th colspan="2">Valve Pattern</th> </tr> </thead> <tbody> <tr> <td>D05H</td> <td>(USA std) NFPA T3.5.1-D05 Alt B See Tech Infomation</td> </tr> </tbody> </table> | Valve Pattern | | D05H | (USA std) NFPA T3.5.1-D05 Alt B See Tech Infomation | <table border="1"> <thead> <tr> <th colspan="2">Product Type</th> </tr> </thead> <tbody> <tr> <td>TP</td> <td>Tapping Plate</td> </tr> </tbody> </table> | Product Type | | TP | Tapping Plate | <table border="1"> <thead> <tr> <th colspan="2">Circuit</th> </tr> </thead> <tbody> <tr> <td>PT</td> <td>P and T ports provided</td> </tr> <tr> <td>AB</td> <td>A and B ports provided</td> </tr> </tbody> </table> | Circuit | | PT | P and T ports provided | AB | A and B ports provided | <table border="1"> <thead> <tr> <th colspan="2">Port Threads</th> </tr> </thead> <tbody> <tr> <td>4P</td> <td>0.25-18 NPTF ANSI B1.20.3</td> </tr> <tr> <td>4S</td> <td>-4 SAE ISO 11926; SAE 1926</td> </tr> <tr> <td>4B</td> <td>0.25-19 BSPP ISO 1179; BS 2779</td> </tr> <tr> <td>4M</td> <td>M10 x 1.0 ISO 6149</td> </tr> <tr> <td>4T</td> <td>0.25-19 BSPT ISO 7; BS 21</td> </tr> </tbody> </table> | Port Threads | | 4P | 0.25-18 NPTF ANSI B1.20.3 | 4S | -4 SAE ISO 11926; SAE 1926 | 4B | 0.25-19 BSPP ISO 1179; BS 2779 | 4M | M10 x 1.0 ISO 6149 | 4T | 0.25-19 BSPT ISO 7; BS 21 |
| Material | | | | | | | | | | | | | | | | | | | | | | | | | | | | | | | | | | | | | | |
| A | Aluminum - 6061-T6 3000† psi • 20.7 MPa | | | | | | | | | | | | | | | | | | | | | | | | | | | | | | | | | | | | | |
| D | Ductile Iron - D4512 5000† psi • 34.5 MPa | | | | | | | | | | | | | | | | | | | | | | | | | | | | | | | | | | | | | |
| † Working pressure should be considered in accordance with ISO 4413 to determine appropriate material type. | | | | | | | | | | | | | | | | | | | | | | | | | | | | | | | | | | | | | | |
| Valve Pattern | | | | | | | | | | | | | | | | | | | | | | | | | | | | | | | | | | | | | | |
| D05H | (USA std) NFPA T3.5.1-D05 Alt B See Tech Infomation | | | | | | | | | | | | | | | | | | | | | | | | | | | | | | | | | | | | | |
| Product Type | | | | | | | | | | | | | | | | | | | | | | | | | | | | | | | | | | | | | | |
| TP | Tapping Plate | | | | | | | | | | | | | | | | | | | | | | | | | | | | | | | | | | | | | |
| Circuit | | | | | | | | | | | | | | | | | | | | | | | | | | | | | | | | | | | | | | |
| PT | P and T ports provided | | | | | | | | | | | | | | | | | | | | | | | | | | | | | | | | | | | | | |
| AB | A and B ports provided | | | | | | | | | | | | | | | | | | | | | | | | | | | | | | | | | | | | | |
| Port Threads | | | | | | | | | | | | | | | | | | | | | | | | | | | | | | | | | | | | | | |
| 4P | 0.25-18 NPTF ANSI B1.20.3 | | | | | | | | | | | | | | | | | | | | | | | | | | | | | | | | | | | | | |
| 4S | -4 SAE ISO 11926; SAE 1926 | | | | | | | | | | | | | | | | | | | | | | | | | | | | | | | | | | | | | |
| 4B | 0.25-19 BSPP ISO 1179; BS 2779 | | | | | | | | | | | | | | | | | | | | | | | | | | | | | | | | | | | | | |
| 4M | M10 x 1.0 ISO 6149 | | | | | | | | | | | | | | | | | | | | | | | | | | | | | | | | | | | | | |
| 4T | 0.25-19 BSPT ISO 7; BS 21 | | | | | | | | | | | | | | | | | | | | | | | | | | | | | | | | | | | | | |

D05 Tapping Plates with ISO Pilot Ports

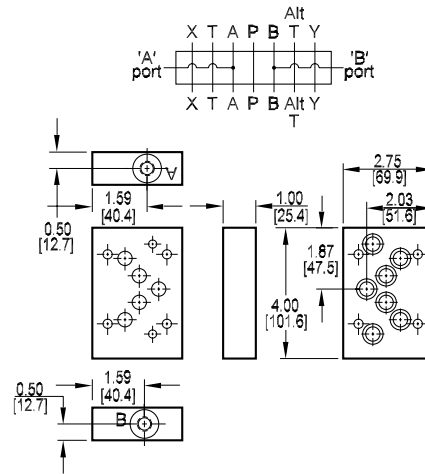
P and T Port Tapping Plate

Tapping Plate hardware / interface seal kit is supplied. See page 164 for itemized list.



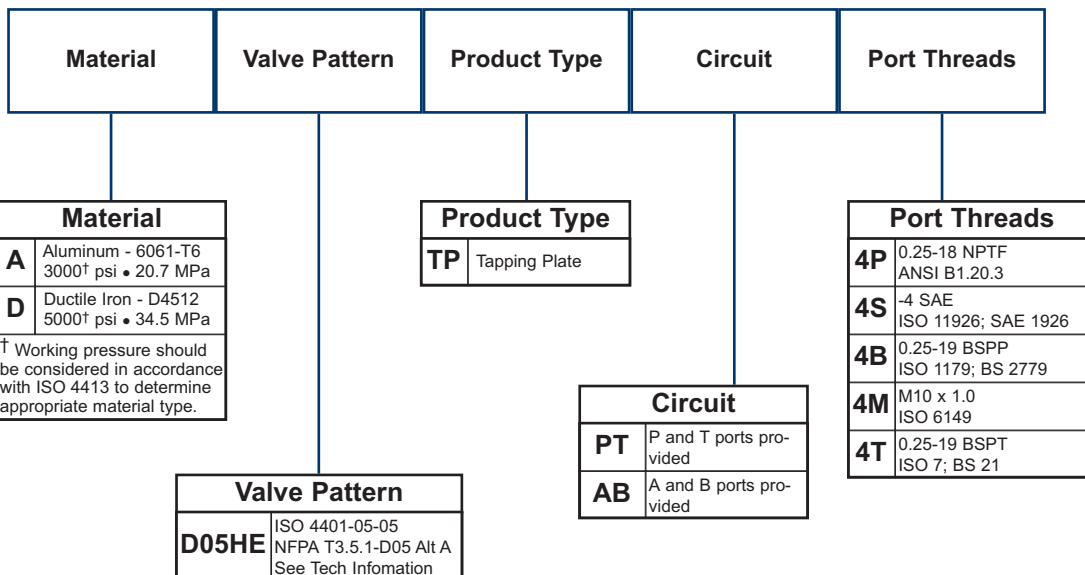
A and B Port Tapping Plate

Tapping Plate hardware / interface seal kit is supplied. See page 164 for itemized list.



Specifications, descriptions, and dimensional data are subject to correction or change without notice or incurring obligation. Download latest catalog page revisions at www.damanifolds.com.

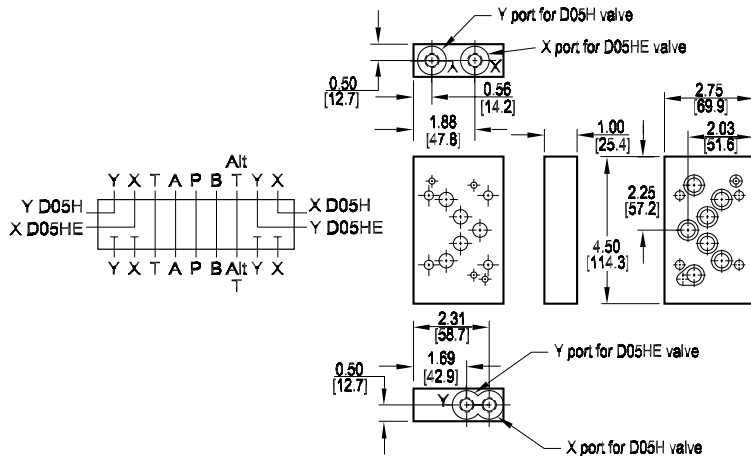
Ordering Information



D05 Tapping Plates with Pilot Ports

X and Y Port Tapping Plate

Tapping Plate hardware / interface seal kit is supplied. See page 164 for itemized list.



Specifications, descriptions, and dimensional data are subject to correction or change without notice or incurring obligation. Download latest catalog page revisions at www.damanifolds.com.

Ordering Information

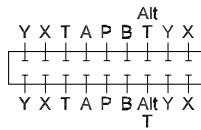
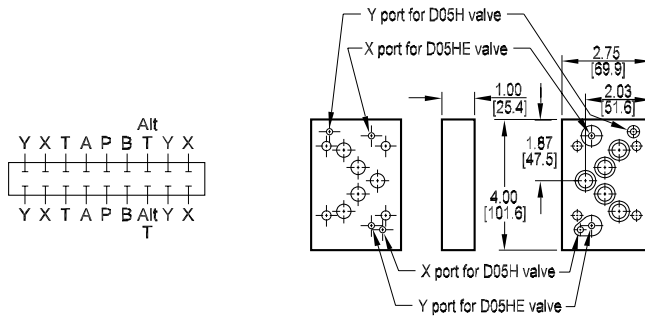
| Material | Valve Pattern | Product Type | Circuit | Port Threads | | | | | | | | | | | | | | | | | | | | | | | | | | | | | | | | |
|--|--|--------------|----------|--|----------|--|---|--|---|---------------|--|-------------|--|---|--------------|--|-----------|---------------|---|---------|--|-----------|------------------------|--|--------------|--|-----------|------------------------------|-----------|-------------------------------|-----------|-----------------------------------|-----------|-----------------------|-----------|------------------------------|
| <table border="1"> <thead> <tr> <th colspan="2">Material</th> </tr> </thead> <tbody> <tr> <td>A</td> <td>Aluminum - 6061-T6 3000† psi • 20.7 MPa</td> </tr> <tr> <td>D</td> <td>Ductile Iron - D4512 5000† psi • 34.5 MPa</td> </tr> <tr> <td colspan="2">† Working pressure should be considered in accordance with ISO 4413 to determine appropriate material type.</td> </tr> </tbody> </table> | Material | | A | Aluminum - 6061-T6 3000† psi • 20.7 MPa | D | Ductile Iron - D4512 5000† psi • 34.5 MPa | † Working pressure should be considered in accordance with ISO 4413 to determine appropriate material type. | | <table border="1"> <thead> <tr> <th colspan="2">Valve Pattern</th> </tr> </thead> <tbody> <tr> <td>D05H</td> <td>ISO 4401-05-05 NFPA T3.5.1-D05 Alt A & B See Technical Information</td> </tr> </tbody> </table> | Valve Pattern | | D05H | ISO 4401-05-05 NFPA T3.5.1-D05 Alt A & B See Technical Information | <table border="1"> <thead> <tr> <th colspan="2">Product Type</th> </tr> </thead> <tbody> <tr> <td>TP</td> <td>Tapping Plate</td> </tr> </tbody> </table> | Product Type | | TP | Tapping Plate | <table border="1"> <thead> <tr> <th colspan="2">Circuit</th> </tr> </thead> <tbody> <tr> <td>XY</td> <td>X and Y ports provided</td> </tr> </tbody> </table> | Circuit | | XY | X and Y ports provided | <table border="1"> <thead> <tr> <th colspan="2">Port Threads</th> </tr> </thead> <tbody> <tr> <td>4P</td> <td>0.25-18 NPTF ANSI B1.20.3</td> </tr> <tr> <td>4S</td> <td>-4 SAE ISO 11926; SAE 1926</td> </tr> <tr> <td>4B</td> <td>0.25-19 BSPP ISO 1179; BS 2779</td> </tr> <tr> <td>4M</td> <td>M10 x 1.0 ISO 6149</td> </tr> <tr> <td>4T</td> <td>0.25-19 BSPT ISO 7; BS 21</td> </tr> </tbody> </table> | Port Threads | | 4P | 0.25-18 NPTF ANSI B1.20.3 | 4S | -4 SAE ISO 11926; SAE 1926 | 4B | 0.25-19 BSPP ISO 1179; BS 2779 | 4M | M10 x 1.0 ISO 6149 | 4T | 0.25-19 BSPT ISO 7; BS 21 |
| Material | | | | | | | | | | | | | | | | | | | | | | | | | | | | | | | | | | | | |
| A | Aluminum - 6061-T6 3000† psi • 20.7 MPa | | | | | | | | | | | | | | | | | | | | | | | | | | | | | | | | | | | |
| D | Ductile Iron - D4512 5000† psi • 34.5 MPa | | | | | | | | | | | | | | | | | | | | | | | | | | | | | | | | | | | |
| † Working pressure should be considered in accordance with ISO 4413 to determine appropriate material type. | | | | | | | | | | | | | | | | | | | | | | | | | | | | | | | | | | | | |
| Valve Pattern | | | | | | | | | | | | | | | | | | | | | | | | | | | | | | | | | | | | |
| D05H | ISO 4401-05-05 NFPA T3.5.1-D05 Alt A & B See Technical Information | | | | | | | | | | | | | | | | | | | | | | | | | | | | | | | | | | | |
| Product Type | | | | | | | | | | | | | | | | | | | | | | | | | | | | | | | | | | | | |
| TP | Tapping Plate | | | | | | | | | | | | | | | | | | | | | | | | | | | | | | | | | | | |
| Circuit | | | | | | | | | | | | | | | | | | | | | | | | | | | | | | | | | | | | |
| XY | X and Y ports provided | | | | | | | | | | | | | | | | | | | | | | | | | | | | | | | | | | | |
| Port Threads | | | | | | | | | | | | | | | | | | | | | | | | | | | | | | | | | | | | |
| 4P | 0.25-18 NPTF ANSI B1.20.3 | | | | | | | | | | | | | | | | | | | | | | | | | | | | | | | | | | | |
| 4S | -4 SAE ISO 11926; SAE 1926 | | | | | | | | | | | | | | | | | | | | | | | | | | | | | | | | | | | |
| 4B | 0.25-19 BSPP ISO 1179; BS 2779 | | | | | | | | | | | | | | | | | | | | | | | | | | | | | | | | | | | |
| 4M | M10 x 1.0 ISO 6149 | | | | | | | | | | | | | | | | | | | | | | | | | | | | | | | | | | | |
| 4T | 0.25-19 BSPT ISO 7; BS 21 | | | | | | | | | | | | | | | | | | | | | | | | | | | | | | | | | | | |

D05 Tapping Plates with Pilot Ports

Spot Drilled Tapping Plate

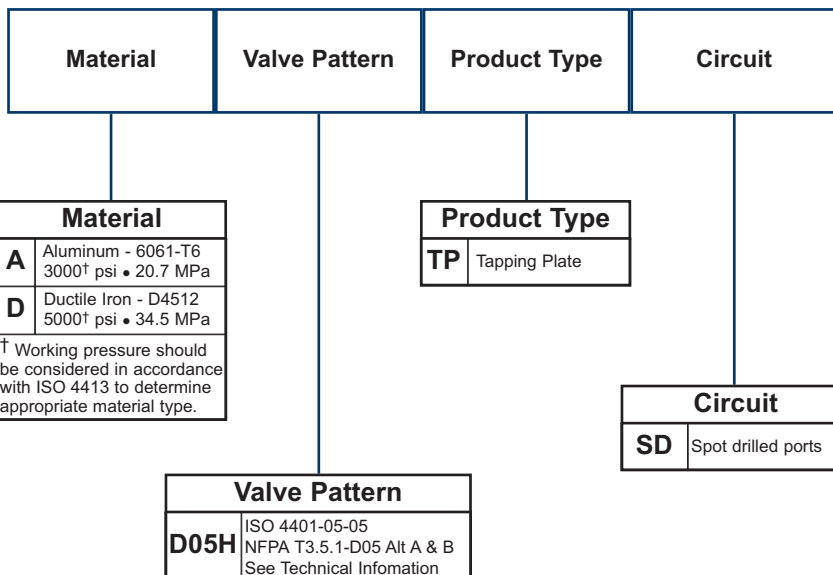
Tapping Plate interface seal kit is supplied.

See page 164 for itemized list.



Specifications, descriptions, and dimensional data are subject to correction or change without notice or incurring obligation. Download latest catalog page revisions at www.damanifolds.com.

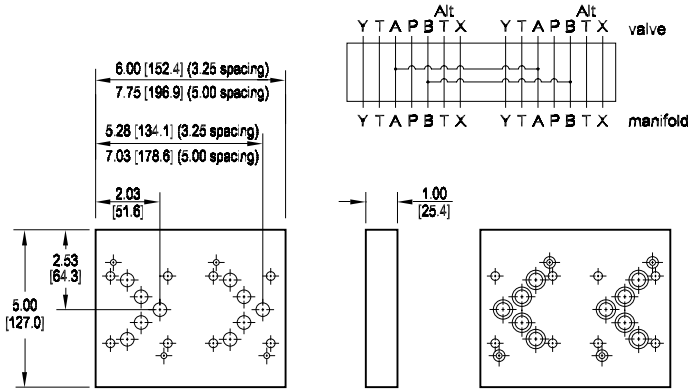
Ordering Information



D05 Tapping Plates with Pilot Ports

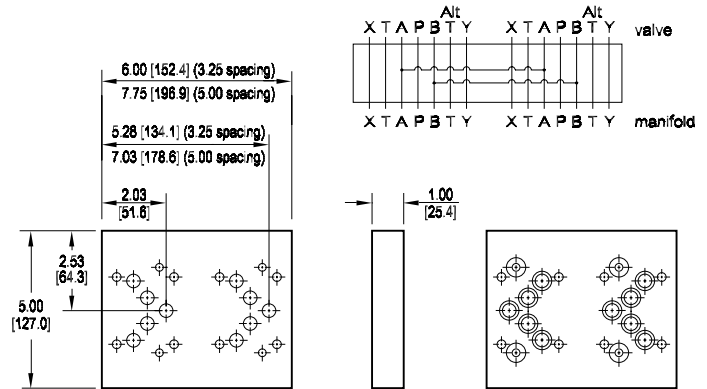
D05(H) Two Station Tapping Plate (USA Pilot Ports) A₁ common to A₂, B₁ common to B₂

Tapping Plate interface seal kit is supplied.
See page 164 for itemized list.



D05(HE) Two Station Tapping Plate (ISO Pilot Ports) A₁ common to A₂, B₁ common to B₂

Tapping Plate interface seal kit is supplied.
See page 164 for itemized list.



Specifications, descriptions, and dimensional data are subject to correction or change without notice or incurring obligation. Download latest catalog page revisions at www.damanifolds.com.

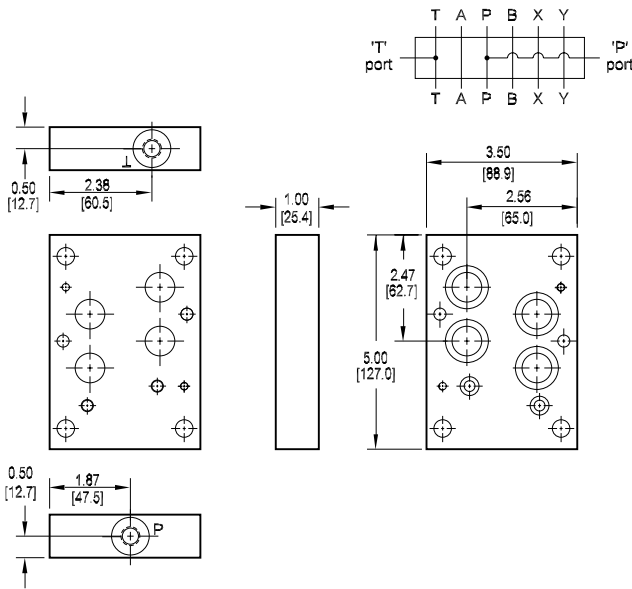
Ordering Information

| Material | Valve Pattern | Product Type | No. of Stations | Valve Spacing | Circuit | | | | | | | | | | | | | | | | | | | | | | | | | | | | | | | | |
|--|---|--------------|-----------------|--|----------|--|---|--|---|---------------|--|-------------|--|--------------|---|---|--------------|--|-----------|---------------|--|-----------------|--|-----------|-------------|--|---------------|--|----------|----------------------|----------|-----------------------|--|---------|--|-----------|------------------------------------|
| <table border="1"> <thead> <tr> <th colspan="2">Material</th> </tr> </thead> <tbody> <tr> <td>A</td> <td>Aluminum - 6061-T6 3000† psi • 20.7 MPa</td> </tr> <tr> <td>D</td> <td>Ductile Iron - D4512 5000† psi • 34.5 MPa</td> </tr> <tr> <td colspan="2">† Working pressure should be considered in accordance with ISO 4413 to determine appropriate material type.</td> </tr> </tbody> </table> | Material | | A | Aluminum - 6061-T6 3000† psi • 20.7 MPa | D | Ductile Iron - D4512 5000† psi • 34.5 MPa | † Working pressure should be considered in accordance with ISO 4413 to determine appropriate material type. | | <table border="1"> <thead> <tr> <th colspan="2">Valve Pattern</th> </tr> </thead> <tbody> <tr> <td>D05H</td> <td>(USA std) NFPA T3.5.1-D05 Alt B See Tech Information</td> </tr> <tr> <td>D05HE</td> <td>ISO 4401-05-05 NFPA T3.5.1-D05 Alt A See Tech Information</td> </tr> </tbody> </table> | Valve Pattern | | D05H | (USA std) NFPA T3.5.1-D05 Alt B See Tech Information | D05HE | ISO 4401-05-05 NFPA T3.5.1-D05 Alt A See Tech Information | <table border="1"> <thead> <tr> <th colspan="2">Product Type</th> </tr> </thead> <tbody> <tr> <td>TP</td> <td>Tapping Plate</td> </tr> </tbody> </table> | Product Type | | TP | Tapping Plate | <table border="1"> <thead> <tr> <th colspan="2">No. of Stations</th> </tr> </thead> <tbody> <tr> <td>02</td> <td>02 Stations</td> </tr> </tbody> </table> | No. of Stations | | 02 | 02 Stations | <table border="1"> <thead> <tr> <th colspan="2">Valve Spacing</th> </tr> </thead> <tbody> <tr> <td>3</td> <td>3.25 inch 82.6 mm</td> </tr> <tr> <td>5</td> <td>5.00 inch 127.0 mm</td> </tr> </tbody> </table> | Valve Spacing | | 3 | 3.25 inch 82.6 mm | 5 | 5.00 inch 127.0 mm | <table border="1"> <thead> <tr> <th colspan="2">Circuit</th> </tr> </thead> <tbody> <tr> <td>AB</td> <td>A1 common to A2 B1 common to B2</td> </tr> </tbody> </table> | Circuit | | AB | A1 common to A2 B1 common to B2 |
| Material | | | | | | | | | | | | | | | | | | | | | | | | | | | | | | | | | | | | | |
| A | Aluminum - 6061-T6 3000† psi • 20.7 MPa | | | | | | | | | | | | | | | | | | | | | | | | | | | | | | | | | | | | |
| D | Ductile Iron - D4512 5000† psi • 34.5 MPa | | | | | | | | | | | | | | | | | | | | | | | | | | | | | | | | | | | | |
| † Working pressure should be considered in accordance with ISO 4413 to determine appropriate material type. | | | | | | | | | | | | | | | | | | | | | | | | | | | | | | | | | | | | | |
| Valve Pattern | | | | | | | | | | | | | | | | | | | | | | | | | | | | | | | | | | | | | |
| D05H | (USA std) NFPA T3.5.1-D05 Alt B See Tech Information | | | | | | | | | | | | | | | | | | | | | | | | | | | | | | | | | | | | |
| D05HE | ISO 4401-05-05 NFPA T3.5.1-D05 Alt A See Tech Information | | | | | | | | | | | | | | | | | | | | | | | | | | | | | | | | | | | | |
| Product Type | | | | | | | | | | | | | | | | | | | | | | | | | | | | | | | | | | | | | |
| TP | Tapping Plate | | | | | | | | | | | | | | | | | | | | | | | | | | | | | | | | | | | | |
| No. of Stations | | | | | | | | | | | | | | | | | | | | | | | | | | | | | | | | | | | | | |
| 02 | 02 Stations | | | | | | | | | | | | | | | | | | | | | | | | | | | | | | | | | | | | |
| Valve Spacing | | | | | | | | | | | | | | | | | | | | | | | | | | | | | | | | | | | | | |
| 3 | 3.25 inch 82.6 mm | | | | | | | | | | | | | | | | | | | | | | | | | | | | | | | | | | | | |
| 5 | 5.00 inch 127.0 mm | | | | | | | | | | | | | | | | | | | | | | | | | | | | | | | | | | | | |
| Circuit | | | | | | | | | | | | | | | | | | | | | | | | | | | | | | | | | | | | | |
| AB | A1 common to A2 B1 common to B2 | | | | | | | | | | | | | | | | | | | | | | | | | | | | | | | | | | | | |

D07 Tapping Plates

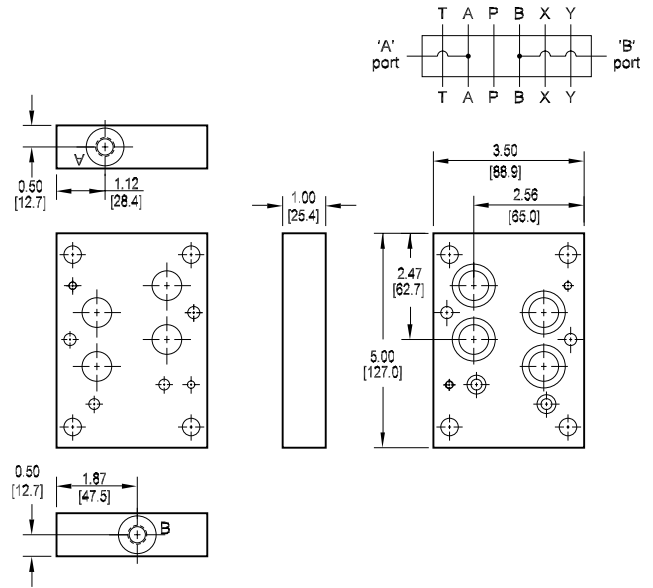
P and T Port Tapping Plate

Tapping Plate hardware / interface seal kit is supplied. See page 164 for itemized list.



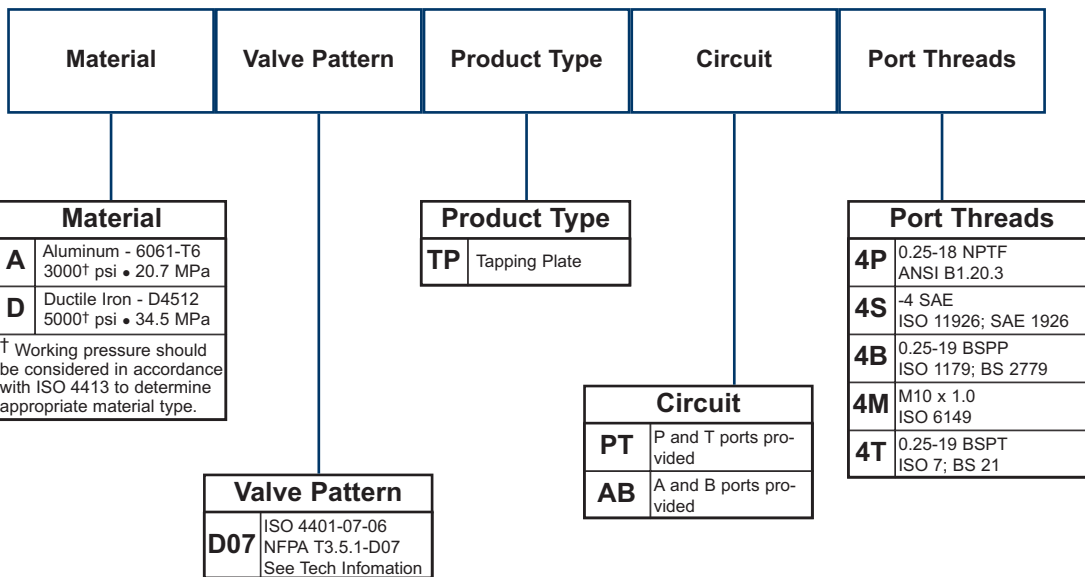
A and B Port Tapping Plate

Tapping Plate hardware / interface seal kit is supplied. See page 164 for itemized list.



Specifications, descriptions, and dimensional data are subject to correction or change without notice or incurring obligation. Download latest catalog page revisions at www.damanifolds.com.

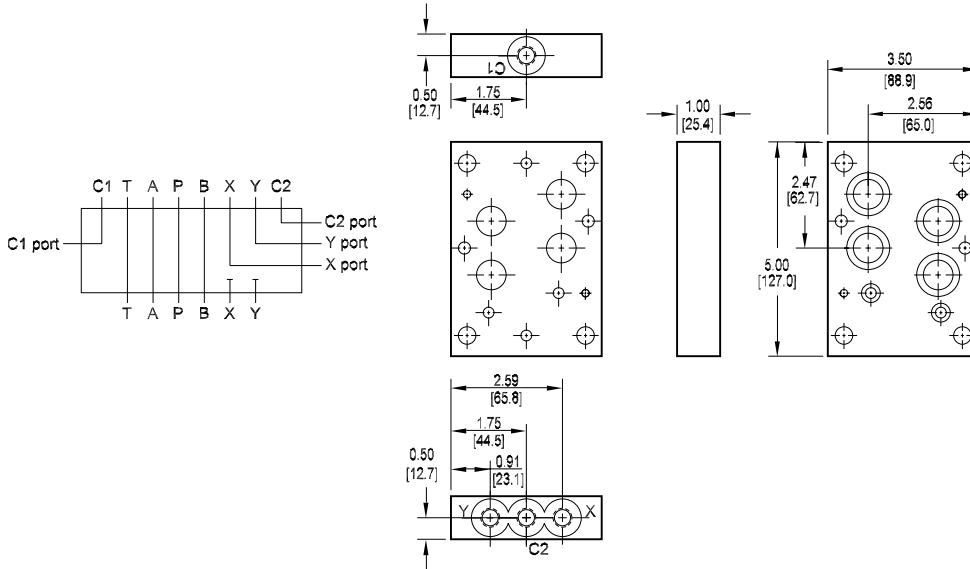
Ordering Information



D07 Tapping Plates

X and Y Port Tapping Plate

Tapping Plate hardware / interface seal kit is supplied. See page 164 for itemized list.



Specifications, descriptions, and dimensional data are subject to correction or change without notice or incurring obligation. Download latest catalog page revisions at www.damanifolds.com.

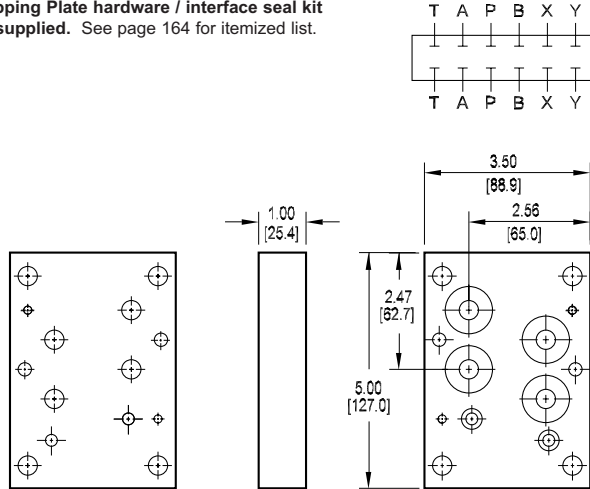
Ordering Information

| Material | Valve Pattern | Product Type | Circuit | Port Threads | | | | | | | | | | | | | | | | | | | | | | | | | | | | | | | | |
|--|--|--------------|----------|--|----------|--|---|--|--|---------------|--|------------|--|---|--------------|--|-----------|---------------|---|---------|--|-----------|------------------------|--|--------------|--|-----------|------------------------------|-----------|-------------------------------|-----------|-----------------------------------|-----------|-----------------------|-----------|------------------------------|
| <table border="1"> <thead> <tr> <th colspan="2">Material</th> </tr> </thead> <tbody> <tr> <td>A</td> <td>Aluminum - 6061-T6 3000† psi • 20.7 MPa</td> </tr> <tr> <td>D</td> <td>Ductile Iron - D4512 5000† psi • 34.5 MPa</td> </tr> <tr> <td colspan="2">† Working pressure should be considered in accordance with ISO 4413 to determine appropriate material type.</td> </tr> </tbody> </table> | Material | | A | Aluminum - 6061-T6 3000† psi • 20.7 MPa | D | Ductile Iron - D4512 5000† psi • 34.5 MPa | † Working pressure should be considered in accordance with ISO 4413 to determine appropriate material type. | | <table border="1"> <thead> <tr> <th colspan="2">Valve Pattern</th> </tr> </thead> <tbody> <tr> <td>D07</td> <td>ISO 4401-07-06 NFPA T3.5.1-D07 See Tech Infomation</td> </tr> </tbody> </table> | Valve Pattern | | D07 | ISO 4401-07-06 NFPA T3.5.1-D07 See Tech Infomation | <table border="1"> <thead> <tr> <th colspan="2">Product Type</th> </tr> </thead> <tbody> <tr> <td>TP</td> <td>Tapping Plate</td> </tr> </tbody> </table> | Product Type | | TP | Tapping Plate | <table border="1"> <thead> <tr> <th colspan="2">Circuit</th> </tr> </thead> <tbody> <tr> <td>XY</td> <td>X and Y ports provided</td> </tr> </tbody> </table> | Circuit | | XY | X and Y ports provided | <table border="1"> <thead> <tr> <th colspan="2">Port Threads</th> </tr> </thead> <tbody> <tr> <td>4P</td> <td>0.25-18 NPTF ANSI B1.20.3</td> </tr> <tr> <td>4S</td> <td>-4 SAE ISO 11926; SAE 1926</td> </tr> <tr> <td>4B</td> <td>0.25-19 BSPP ISO 1179; BS 2779</td> </tr> <tr> <td>4M</td> <td>M10 x 1.0 ISO 6149</td> </tr> <tr> <td>4T</td> <td>0.25-19 BSPT ISO 7; BS 21</td> </tr> </tbody> </table> | Port Threads | | 4P | 0.25-18 NPTF ANSI B1.20.3 | 4S | -4 SAE ISO 11926; SAE 1926 | 4B | 0.25-19 BSPP ISO 1179; BS 2779 | 4M | M10 x 1.0 ISO 6149 | 4T | 0.25-19 BSPT ISO 7; BS 21 |
| Material | | | | | | | | | | | | | | | | | | | | | | | | | | | | | | | | | | | | |
| A | Aluminum - 6061-T6 3000† psi • 20.7 MPa | | | | | | | | | | | | | | | | | | | | | | | | | | | | | | | | | | | |
| D | Ductile Iron - D4512 5000† psi • 34.5 MPa | | | | | | | | | | | | | | | | | | | | | | | | | | | | | | | | | | | |
| † Working pressure should be considered in accordance with ISO 4413 to determine appropriate material type. | | | | | | | | | | | | | | | | | | | | | | | | | | | | | | | | | | | | |
| Valve Pattern | | | | | | | | | | | | | | | | | | | | | | | | | | | | | | | | | | | | |
| D07 | ISO 4401-07-06 NFPA T3.5.1-D07 See Tech Infomation | | | | | | | | | | | | | | | | | | | | | | | | | | | | | | | | | | | |
| Product Type | | | | | | | | | | | | | | | | | | | | | | | | | | | | | | | | | | | | |
| TP | Tapping Plate | | | | | | | | | | | | | | | | | | | | | | | | | | | | | | | | | | | |
| Circuit | | | | | | | | | | | | | | | | | | | | | | | | | | | | | | | | | | | | |
| XY | X and Y ports provided | | | | | | | | | | | | | | | | | | | | | | | | | | | | | | | | | | | |
| Port Threads | | | | | | | | | | | | | | | | | | | | | | | | | | | | | | | | | | | | |
| 4P | 0.25-18 NPTF ANSI B1.20.3 | | | | | | | | | | | | | | | | | | | | | | | | | | | | | | | | | | | |
| 4S | -4 SAE ISO 11926; SAE 1926 | | | | | | | | | | | | | | | | | | | | | | | | | | | | | | | | | | | |
| 4B | 0.25-19 BSPP ISO 1179; BS 2779 | | | | | | | | | | | | | | | | | | | | | | | | | | | | | | | | | | | |
| 4M | M10 x 1.0 ISO 6149 | | | | | | | | | | | | | | | | | | | | | | | | | | | | | | | | | | | |
| 4T | 0.25-19 BSPT ISO 7; BS 21 | | | | | | | | | | | | | | | | | | | | | | | | | | | | | | | | | | | |

D07 Tapping Plates

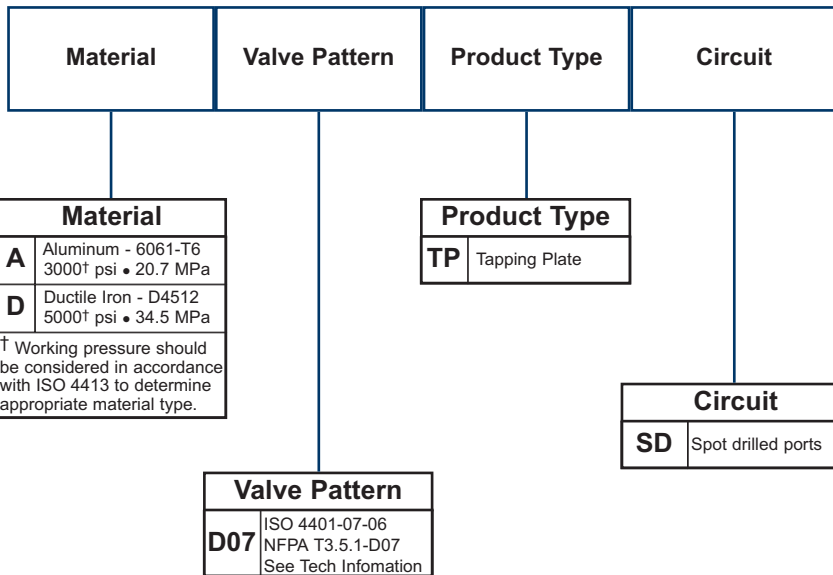
Spot Drilled Tapping Plate

Tapping Plate hardware / interface seal kit is supplied. See page 164 for itemized list.



Specifications, descriptions, and dimensional data are subject to correction or change without notice or incurring obligation. Download latest catalog page revisions at www.damanifolds.com.

Ordering Information



D07 Tapping Plates

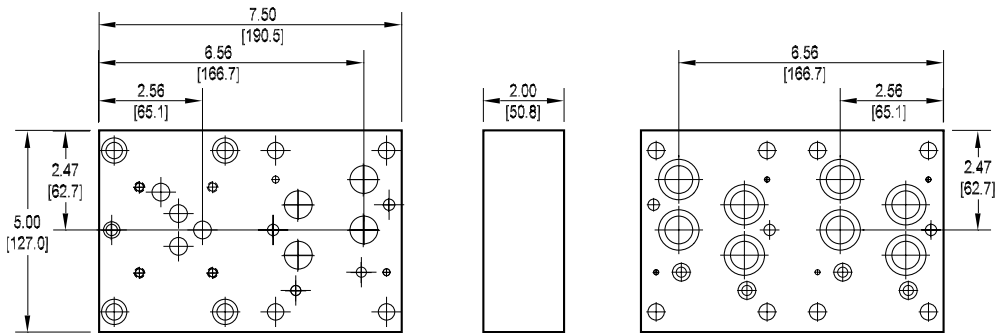
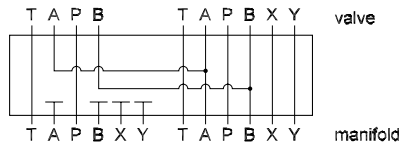
D05-D07 Two Station Tapping Plate

A₁ common to A₂, B₁ common to B₂

D05 Valve mtg: UNC 0.25-20 x 0.75 [19] DP

Tapping Plate hardware / interface seal kit is supplied. * See page 164 for itemized list.

* (6) bolts are user supplied and must pass through valve and tapping plate to thread into manifold.



Specifications, descriptions, and dimensional data are subject to correction or change without notice or incurring obligation. Download latest catalog page revisions at www.damanifolds.com.

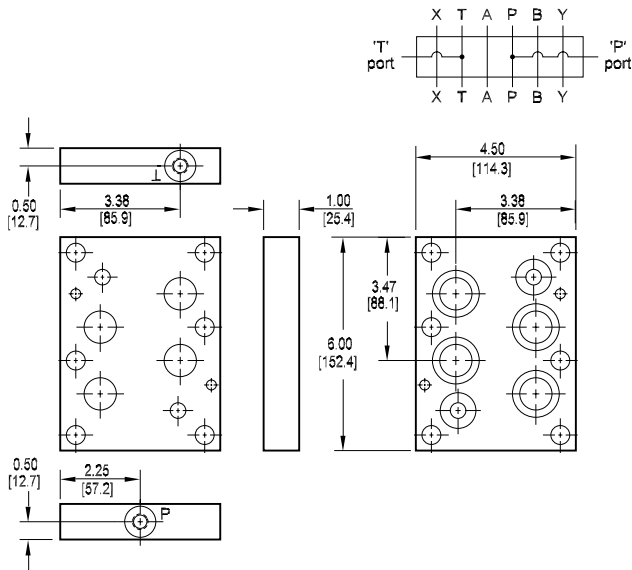
Ordering Information

| Material | Valve Pattern Station 1 | Valve Pattern Station 2 | Product Type | No. of Stations | Valve Spacing | Circuit | | | | | | | | | | | | | | | | | | | | | | | | | | | | | | | | |
|--|---|-------------------------|--------------|--|---------------|--|---|--|--|-----------------|--|------------|---|--|-----------------|--|------------|---|--|--------------|--|-----------|---------------|---|-----------------|--|-----------|-------------|---|---------------|--|----------|-----------------------|---|---------|--|-----------|------------------------------------|
| <table border="1"> <tr><th colspan="2">Material</th></tr> <tr><td>A</td><td>Aluminum - 6061-T6 3000† psi • 20.7 MPa</td></tr> <tr><td>D</td><td>Ductile Iron - D4512 5000† psi • 34.5 MPa</td></tr> <tr><td colspan="2">† Working pressure should be considered in accordance with ISO 4413 to determine appropriate material type.</td></tr> </table> | Material | | A | Aluminum - 6061-T6 3000† psi • 20.7 MPa | D | Ductile Iron - D4512 5000† psi • 34.5 MPa | † Working pressure should be considered in accordance with ISO 4413 to determine appropriate material type. | | <table border="1"> <tr><th colspan="2">Valve Station 1</th></tr> <tr><td>D05</td><td>ISO 4401-05-04 NFPA T3.5.1-D05 See Tech Information</td></tr> </table> | Valve Station 1 | | D05 | ISO 4401-05-04 NFPA T3.5.1-D05 See Tech Information | <table border="1"> <tr><th colspan="2">Valve Station 2</th></tr> <tr><td>D07</td><td>ISO 4401-07-06 NFPA T3.5.1-D07 See Tech Information</td></tr> </table> | Valve Station 2 | | D07 | ISO 4401-07-06 NFPA T3.5.1-D07 See Tech Information | <table border="1"> <tr><th colspan="2">Product Type</th></tr> <tr><td>TP</td><td>Tapping Plate</td></tr> </table> | Product Type | | TP | Tapping Plate | <table border="1"> <tr><th colspan="2">No. of Stations</th></tr> <tr><td>02</td><td>02 Stations</td></tr> </table> | No. of Stations | | 02 | 02 Stations | <table border="1"> <tr><th colspan="2">Valve Spacing</th></tr> <tr><td>4</td><td>4.00 inch 101.6 mm</td></tr> </table> | Valve Spacing | | 4 | 4.00 inch 101.6 mm | <table border="1"> <tr><th colspan="2">Circuit</th></tr> <tr><td>AB</td><td>A1 common to A2 B1 common to B2</td></tr> </table> | Circuit | | AB | A1 common to A2 B1 common to B2 |
| Material | | | | | | | | | | | | | | | | | | | | | | | | | | | | | | | | | | | | | | |
| A | Aluminum - 6061-T6 3000† psi • 20.7 MPa | | | | | | | | | | | | | | | | | | | | | | | | | | | | | | | | | | | | | |
| D | Ductile Iron - D4512 5000† psi • 34.5 MPa | | | | | | | | | | | | | | | | | | | | | | | | | | | | | | | | | | | | | |
| † Working pressure should be considered in accordance with ISO 4413 to determine appropriate material type. | | | | | | | | | | | | | | | | | | | | | | | | | | | | | | | | | | | | | | |
| Valve Station 1 | | | | | | | | | | | | | | | | | | | | | | | | | | | | | | | | | | | | | | |
| D05 | ISO 4401-05-04 NFPA T3.5.1-D05 See Tech Information | | | | | | | | | | | | | | | | | | | | | | | | | | | | | | | | | | | | | |
| Valve Station 2 | | | | | | | | | | | | | | | | | | | | | | | | | | | | | | | | | | | | | | |
| D07 | ISO 4401-07-06 NFPA T3.5.1-D07 See Tech Information | | | | | | | | | | | | | | | | | | | | | | | | | | | | | | | | | | | | | |
| Product Type | | | | | | | | | | | | | | | | | | | | | | | | | | | | | | | | | | | | | | |
| TP | Tapping Plate | | | | | | | | | | | | | | | | | | | | | | | | | | | | | | | | | | | | | |
| No. of Stations | | | | | | | | | | | | | | | | | | | | | | | | | | | | | | | | | | | | | | |
| 02 | 02 Stations | | | | | | | | | | | | | | | | | | | | | | | | | | | | | | | | | | | | | |
| Valve Spacing | | | | | | | | | | | | | | | | | | | | | | | | | | | | | | | | | | | | | | |
| 4 | 4.00 inch 101.6 mm | | | | | | | | | | | | | | | | | | | | | | | | | | | | | | | | | | | | | |
| Circuit | | | | | | | | | | | | | | | | | | | | | | | | | | | | | | | | | | | | | | |
| AB | A1 common to A2 B1 common to B2 | | | | | | | | | | | | | | | | | | | | | | | | | | | | | | | | | | | | | |

D08 Tapping Plates

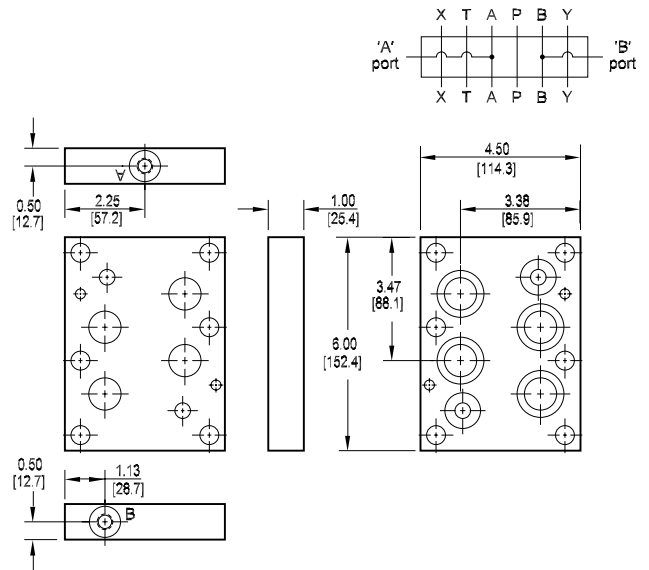
P and T Port Tapping Plate

Tapping Plate hardware / interface seal kit is supplied. See page 164 for itemized list.



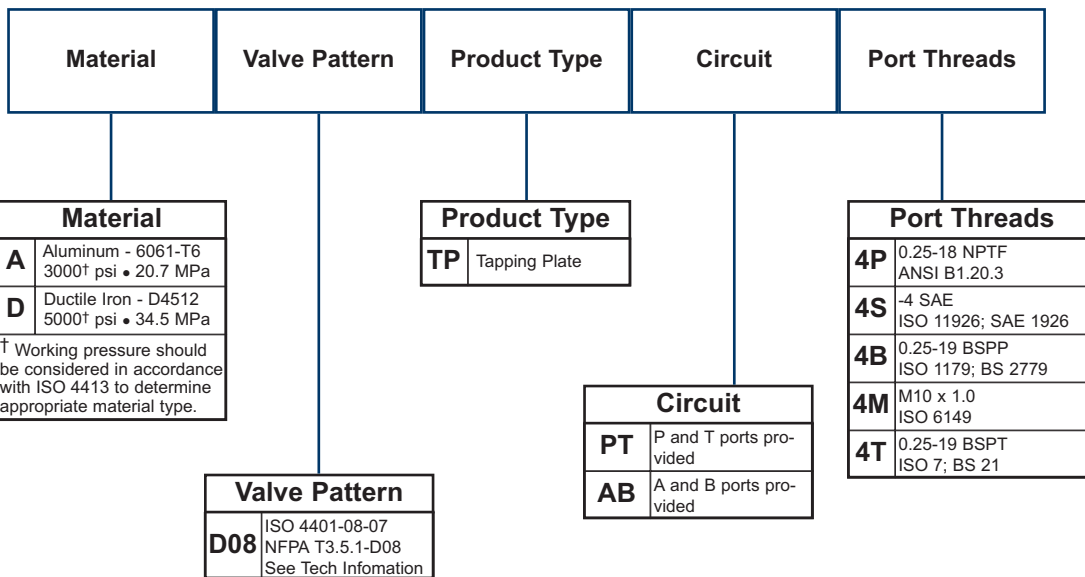
A and B Port Tapping Plate

Tapping Plate hardware / interface seal kit is supplied. See page 164 for itemized list.



Specifications, descriptions, and dimensional data are subject to correction or change without notice or incurring obligation. Download latest catalog page revisions at www.damanifolds.com.

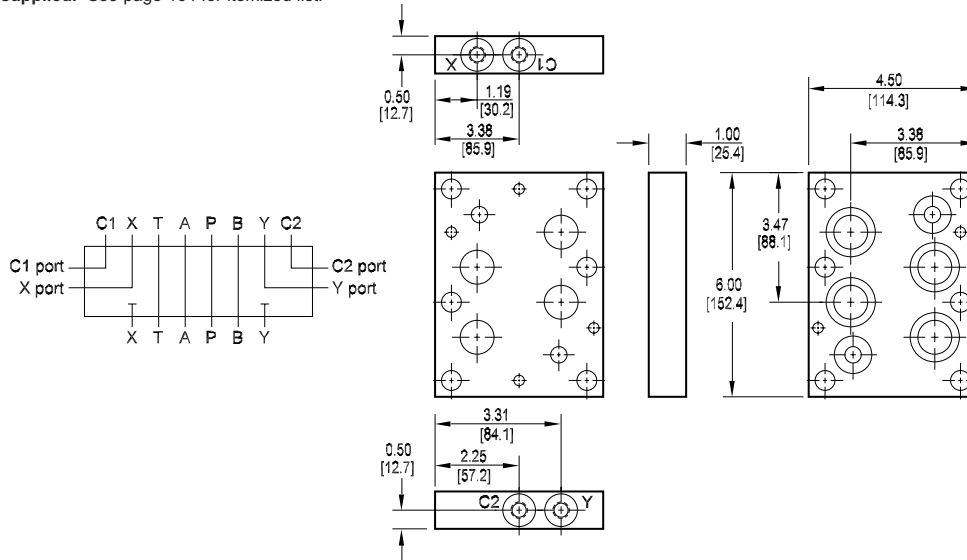
Ordering Information



D08 Tapping Plates

X and Y Port Tapping Plate

Tapping Plate hardware / interface seal kit is supplied. See page 164 for itemized list.



Specifications, descriptions, and dimensional data are subject to correction or change without notice or incurring obligation. Download latest catalog page revisions at www.damanifolds.com.

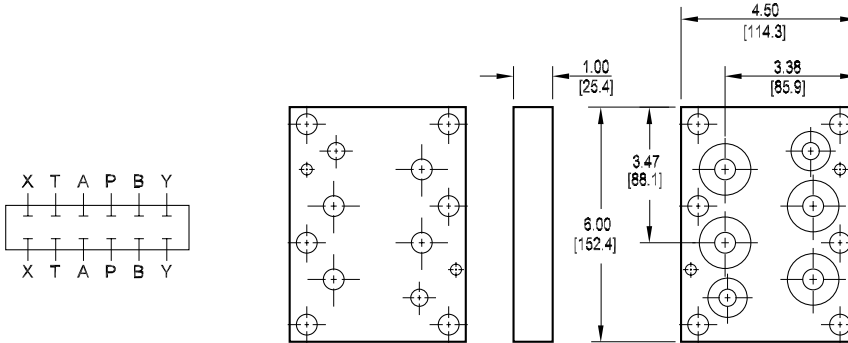
Ordering Information

| Material | Valve Pattern | Product Type | Circuit | Port Threads | | | | | | | | | | | | | | | | | | | | | | | | | | | | | | | | |
|--|--|--------------|----------|--|----------|--|---|--|--|---------------|--|------------|--|---|--------------|--|-----------|---------------|---|---------|--|-----------|------------------------|--|--------------|--|-----------|------------------------------|-----------|-------------------------------|-----------|-----------------------------------|-----------|-----------------------|-----------|------------------------------|
| <table border="1"> <thead> <tr> <th colspan="2">Material</th> </tr> </thead> <tbody> <tr> <td>A</td> <td>Aluminum - 6061-T6 3000† psi • 20.7 MPa</td> </tr> <tr> <td>D</td> <td>Ductile Iron - D4512 5000† psi • 34.5 MPa</td> </tr> <tr> <td colspan="2">† Working pressure should be considered in accordance with ISO 4413 to determine appropriate material type.</td> </tr> </tbody> </table> | Material | | A | Aluminum - 6061-T6 3000† psi • 20.7 MPa | D | Ductile Iron - D4512 5000† psi • 34.5 MPa | † Working pressure should be considered in accordance with ISO 4413 to determine appropriate material type. | | <table border="1"> <thead> <tr> <th colspan="2">Valve Pattern</th> </tr> </thead> <tbody> <tr> <td>D08</td> <td>ISO 4401-08-07 NFPA T3.5.1-D08 See Tech Infomation</td> </tr> </tbody> </table> | Valve Pattern | | D08 | ISO 4401-08-07 NFPA T3.5.1-D08 See Tech Infomation | <table border="1"> <thead> <tr> <th colspan="2">Product Type</th> </tr> </thead> <tbody> <tr> <td>TP</td> <td>Tapping Plate</td> </tr> </tbody> </table> | Product Type | | TP | Tapping Plate | <table border="1"> <thead> <tr> <th colspan="2">Circuit</th> </tr> </thead> <tbody> <tr> <td>XY</td> <td>X and Y ports provided</td> </tr> </tbody> </table> | Circuit | | XY | X and Y ports provided | <table border="1"> <thead> <tr> <th colspan="2">Port Threads</th> </tr> </thead> <tbody> <tr> <td>4P</td> <td>0.25-18 NPTF ANSI B1.20.3</td> </tr> <tr> <td>4S</td> <td>-4 SAE ISO 11926; SAE 1926</td> </tr> <tr> <td>4B</td> <td>0.25-19 BSPP ISO 1179; BS 2779</td> </tr> <tr> <td>4M</td> <td>M10 x 1.0 ISO 6149</td> </tr> <tr> <td>4T</td> <td>0.25-19 BSPT ISO 7; BS 21</td> </tr> </tbody> </table> | Port Threads | | 4P | 0.25-18 NPTF ANSI B1.20.3 | 4S | -4 SAE ISO 11926; SAE 1926 | 4B | 0.25-19 BSPP ISO 1179; BS 2779 | 4M | M10 x 1.0 ISO 6149 | 4T | 0.25-19 BSPT ISO 7; BS 21 |
| Material | | | | | | | | | | | | | | | | | | | | | | | | | | | | | | | | | | | | |
| A | Aluminum - 6061-T6 3000† psi • 20.7 MPa | | | | | | | | | | | | | | | | | | | | | | | | | | | | | | | | | | | |
| D | Ductile Iron - D4512 5000† psi • 34.5 MPa | | | | | | | | | | | | | | | | | | | | | | | | | | | | | | | | | | | |
| † Working pressure should be considered in accordance with ISO 4413 to determine appropriate material type. | | | | | | | | | | | | | | | | | | | | | | | | | | | | | | | | | | | | |
| Valve Pattern | | | | | | | | | | | | | | | | | | | | | | | | | | | | | | | | | | | | |
| D08 | ISO 4401-08-07 NFPA T3.5.1-D08 See Tech Infomation | | | | | | | | | | | | | | | | | | | | | | | | | | | | | | | | | | | |
| Product Type | | | | | | | | | | | | | | | | | | | | | | | | | | | | | | | | | | | | |
| TP | Tapping Plate | | | | | | | | | | | | | | | | | | | | | | | | | | | | | | | | | | | |
| Circuit | | | | | | | | | | | | | | | | | | | | | | | | | | | | | | | | | | | | |
| XY | X and Y ports provided | | | | | | | | | | | | | | | | | | | | | | | | | | | | | | | | | | | |
| Port Threads | | | | | | | | | | | | | | | | | | | | | | | | | | | | | | | | | | | | |
| 4P | 0.25-18 NPTF ANSI B1.20.3 | | | | | | | | | | | | | | | | | | | | | | | | | | | | | | | | | | | |
| 4S | -4 SAE ISO 11926; SAE 1926 | | | | | | | | | | | | | | | | | | | | | | | | | | | | | | | | | | | |
| 4B | 0.25-19 BSPP ISO 1179; BS 2779 | | | | | | | | | | | | | | | | | | | | | | | | | | | | | | | | | | | |
| 4M | M10 x 1.0 ISO 6149 | | | | | | | | | | | | | | | | | | | | | | | | | | | | | | | | | | | |
| 4T | 0.25-19 BSPT ISO 7; BS 21 | | | | | | | | | | | | | | | | | | | | | | | | | | | | | | | | | | | |

D08 Tapping Plates

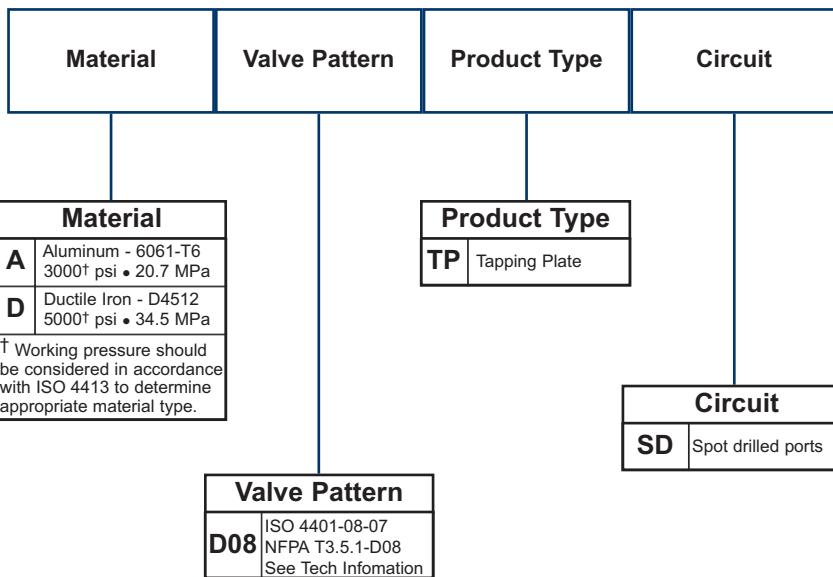
Spot Drilled Tapping Plate

Tapping Plate hardware / interface seal kit is supplied. See page 164 for itemized list.



Specifications, descriptions, and dimensional data are subject to correction or change without notice or incurring obligation. Download latest catalog page revisions at www.damanifolds.com.

Ordering Information



D08 Tapping Plates

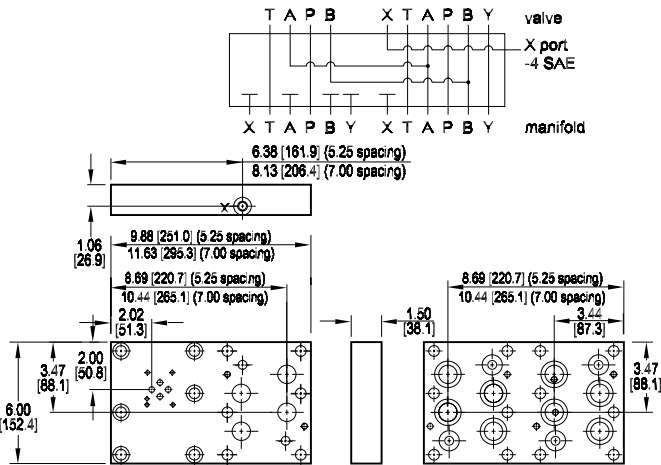
D03-D08 Two Station Tapping Plate

A₁ common to A₂, B₁ common to B₂

D03 Valve mtg: UNC #10-24 x 0.62 [16] DP

Tapping Plate hardware / interface seal kit is supplied. * See page 164 for itemized list.

* (6) bolts are user supplied and must pass through valve and tapping plate to thread into manifold.



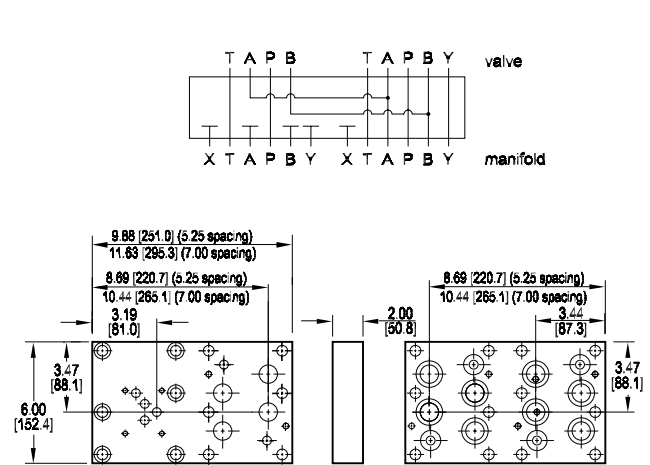
D05-D08 Two Station Tapping Plate

A₁ common to A₂, B₁ common to B₂

D05 Valve mtg: UNC 0.25-20 x 0.75 [19] DP

Tapping Plate hardware / interface seal kit is supplied. * See page 164 for itemized list.

* (6) bolts are user supplied and must pass through valve and tapping plate to thread into manifold.



Specifications, descriptions, and dimensional data are subject to correction or change without notice or incurring obligation. Download latest catalog page revisions at www.damanifolds.com.

Ordering Information

| Material | Valve Pattern Station 1 | Valve Pattern Station 2 | Product Type | No. of Stations | Valve Spacing | Circuit |
|----------|-------------------------|-------------------------|--------------|-----------------|---------------|---------|
|----------|-------------------------|-------------------------|--------------|-----------------|---------------|---------|

| Material | |
|----------|--|
| A | Aluminum - 6061-T6 3000† psi • 20.7 MPa |
| D | Ductile Iron - D4512 5000† psi • 34.5 MPa |

† Working pressure should be considered in accordance with ISO 4413 to determine appropriate material type.

| Valve Station 2 | |
|-----------------|--|
| D08 | ISO 4401-08-07 NFFPA T3.5.1-D08 See Tech Information |

| No. of Stations | |
|-----------------|-------------|
| 02 | 02 Stations |

| Circuit | |
|-----------|------------------------------------|
| AB | A1 common to A2 B1 common to B2 |

| Product Type | |
|--------------|---------------|
| TP | Tapping Plate |

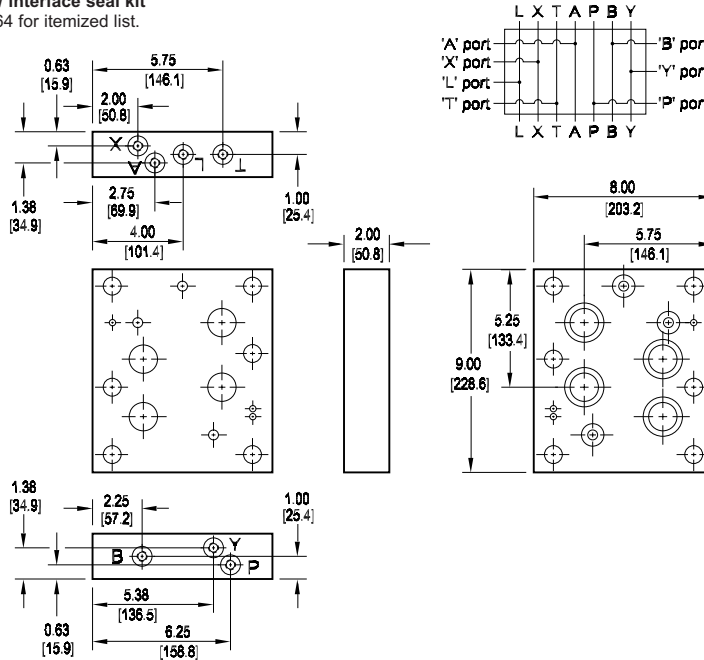
| Valve Spacing | |
|---------------|-----------------------|
| 5 | 5.25 inch 133.4 mm |
| 7 | 7.00 inch 177.8 mm |

| Valve Station 1 | |
|-----------------|--|
| D03 | ISO 4401-03-02 NFFPA T3.5.1-D03 See Tech Information |
| D05 | ISO 4401-05-04 NFFPA T3.5.1-D05 See Tech Information |

D10 Tapping Plates

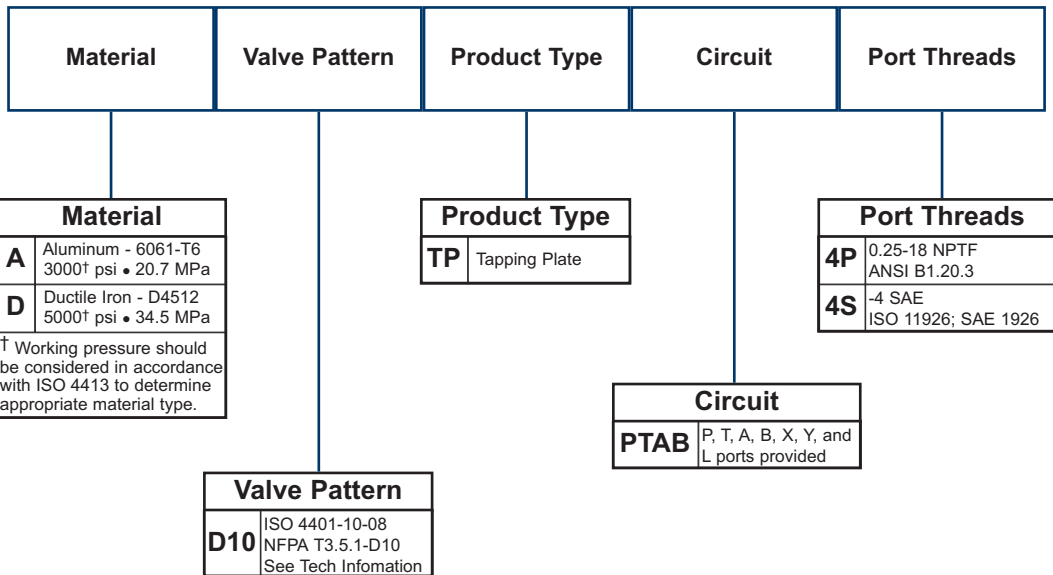
P, T, A, B, X, Y, and L Port Tapping Plate

Tapping Plate hardware / interface seal kit is supplied. See page 164 for itemized list.



Specifications, descriptions, and dimensional data are subject to correction or change without notice or incurring obligation. Download latest catalog page revisions at www.damanifolds.com.

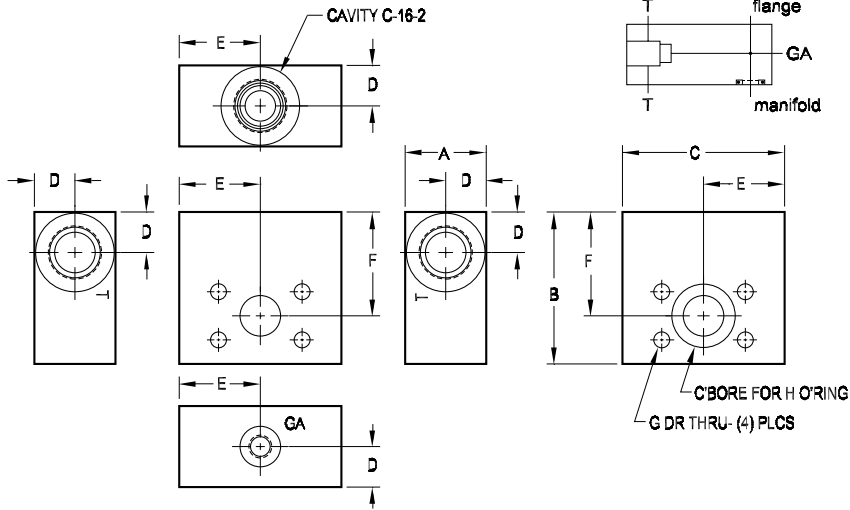
Ordering Information



Aluminum Flange Mount Bodies

Flange Mount Body with 2-port Cavity

Flange interface seal is supplied. See chart.
 Plug for GA Port (-6 SAE) is supplied.
 (4) mounting bolts are user supplied and must pass through flange and valve body to thread into customers flange interface.



| PART NO. | A | B | C | D |
|------------------|----------------|-----------------|-----------------|----------------|
| AFMBC16212F6116S | 2.00 [50.8] | 3.50 [88.9] | 4.00 [101.6] | 1.00 [25.4] |
| AFMBC16216F6116S | 2.00 [50.8] | 3.75 [95.3] | 4.00 [101.6] | 1.00 [25.4] |
| AFMBC16220F6116S | 2.00 [50.8] | 4.25 [108.0] | 4.00 [101.6] | 1.00 [25.4] |
| AFMBC16224F6116S | 2.00 [50.8] | 4.63 [117.5] | 4.00 [101.6] | 1.00 [25.4] |

| PART NO. | E | F | G | H |
|------------------|----------------|----------------|----------------|------|
| AFMBC16212F6116S | 2.00 [50.8] | 2.44 [61.9] | 0.41 [10.3] | -214 |
| AFMBC16216F6116S | 2.00 [50.8] | 2.56 [65.1] | 0.41 [10.3] | -219 |
| AFMBC16220F6116S | 2.00 [50.8] | 2.75 [69.9] | 0.47 [11.9] | -222 |
| AFMBC16224F6116S | 2.00 [50.8] | 2.88 [73.0] | 0.53 [13.5] | -225 |

Specifications, descriptions, and dimensional data are subject to correction or change without notice or incurring obligation. Download latest catalog page revisions at www.damanifolds.com.

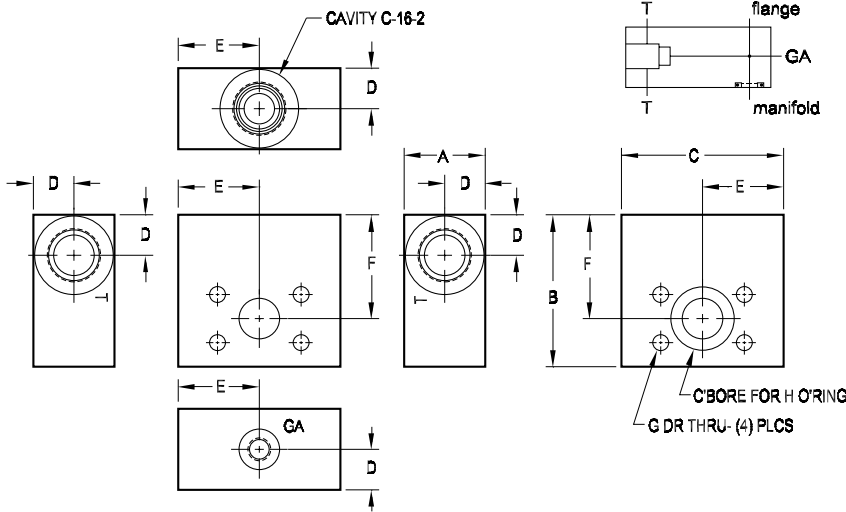
Ordering Information

| Material | Product Type | Cavity Type | Cavity Size | Flange Size | Flange Rating | Port Threads | | | | | | | | | | | | | | | | | | | | | | | | | | | | | | | | | | | | |
|---|---|-------------|-------------|--|---|--------------|---|--------------|--|------------|-------------------|--|-------------|--|----------|------------------------------------|--|-------------|--|------------|---------------|---|-------------|--|------------|--|------------|--|------------|--|------------|--|--|---------------|--|-----------|---|--|--------------|--|------------|---|
| <table border="1"> <tr><th colspan="2">Material</th></tr> <tr><td>A</td><td>Aluminum - 6061-T6 3000† psi • 20.7 MPa</td></tr> <tr><td colspan="2">† Working pressure should be considered in accordance with ISO 4413 to determine appropriate material type.</td></tr> </table> | Material | | A | Aluminum - 6061-T6 3000† psi • 20.7 MPa | † Working pressure should be considered in accordance with ISO 4413 to determine appropriate material type. | | <table border="1"> <tr><th colspan="2">Product Type</th></tr> <tr><td>FMB</td><td>Flange Mount Body</td></tr> </table> | Product Type | | FMB | Flange Mount Body | <table border="1"> <tr><th colspan="2">Cavity Type</th></tr> <tr><td>C</td><td>Industry Standard Common Cavity</td></tr> </table> | Cavity Type | | C | Industry Standard Common Cavity | <table border="1"> <tr><th colspan="2">Cavity Size</th></tr> <tr><td>162</td><td>Cavity C-16-2</td></tr> </table> | Cavity Size | | 162 | Cavity C-16-2 | <table border="1"> <tr><th colspan="2">Flange Size</th></tr> <tr><td>12F</td><td>ISO 6162 - DN19 Split Flange SAE Size 12 (0.75") Flange</td></tr> <tr><td>16F</td><td>ISO 6162 - DN25 Split Flange SAE Size 16 (1.00") Flange</td></tr> <tr><td>20F</td><td>ISO 6162 - DN32 Split Flange SAE Size 20 (1.25") Flange</td></tr> <tr><td>24F</td><td>ISO 6162 - DN38 Split Flange SAE Size 24 (1.50") Flange</td></tr> </table> | Flange Size | | 12F | ISO 6162 - DN19 Split Flange SAE Size 12 (0.75") Flange | 16F | ISO 6162 - DN25 Split Flange SAE Size 16 (1.00") Flange | 20F | ISO 6162 - DN32 Split Flange SAE Size 20 (1.25") Flange | 24F | ISO 6162 - DN38 Split Flange SAE Size 24 (1.50") Flange | <table border="1"> <tr><th colspan="2">Flange Rating</th></tr> <tr><td>61</td><td>ISO 6162 - 2.5 to 35 MPa • SAE code 61</td></tr> </table> | Flange Rating | | 61 | ISO 6162 - 2.5 to 35 MPa • SAE code 61 | <table border="1"> <tr><th colspan="2">Port Threads</th></tr> <tr><td>16S</td><td>-16 SAE "T" Ports -6 SAE "GA" Port ISO 11926; SAE 1926</td></tr> </table> | Port Threads | | 16S | -16 SAE "T" Ports -6 SAE "GA" Port ISO 11926; SAE 1926 |
| Material | | | | | | | | | | | | | | | | | | | | | | | | | | | | | | | | | | | | | | | | | | |
| A | Aluminum - 6061-T6 3000† psi • 20.7 MPa | | | | | | | | | | | | | | | | | | | | | | | | | | | | | | | | | | | | | | | | | |
| † Working pressure should be considered in accordance with ISO 4413 to determine appropriate material type. | | | | | | | | | | | | | | | | | | | | | | | | | | | | | | | | | | | | | | | | | | |
| Product Type | | | | | | | | | | | | | | | | | | | | | | | | | | | | | | | | | | | | | | | | | | |
| FMB | Flange Mount Body | | | | | | | | | | | | | | | | | | | | | | | | | | | | | | | | | | | | | | | | | |
| Cavity Type | | | | | | | | | | | | | | | | | | | | | | | | | | | | | | | | | | | | | | | | | | |
| C | Industry Standard Common Cavity | | | | | | | | | | | | | | | | | | | | | | | | | | | | | | | | | | | | | | | | | |
| Cavity Size | | | | | | | | | | | | | | | | | | | | | | | | | | | | | | | | | | | | | | | | | | |
| 162 | Cavity C-16-2 | | | | | | | | | | | | | | | | | | | | | | | | | | | | | | | | | | | | | | | | | |
| Flange Size | | | | | | | | | | | | | | | | | | | | | | | | | | | | | | | | | | | | | | | | | | |
| 12F | ISO 6162 - DN19 Split Flange SAE Size 12 (0.75") Flange | | | | | | | | | | | | | | | | | | | | | | | | | | | | | | | | | | | | | | | | | |
| 16F | ISO 6162 - DN25 Split Flange SAE Size 16 (1.00") Flange | | | | | | | | | | | | | | | | | | | | | | | | | | | | | | | | | | | | | | | | | |
| 20F | ISO 6162 - DN32 Split Flange SAE Size 20 (1.25") Flange | | | | | | | | | | | | | | | | | | | | | | | | | | | | | | | | | | | | | | | | | |
| 24F | ISO 6162 - DN38 Split Flange SAE Size 24 (1.50") Flange | | | | | | | | | | | | | | | | | | | | | | | | | | | | | | | | | | | | | | | | | |
| Flange Rating | | | | | | | | | | | | | | | | | | | | | | | | | | | | | | | | | | | | | | | | | | |
| 61 | ISO 6162 - 2.5 to 35 MPa • SAE code 61 | | | | | | | | | | | | | | | | | | | | | | | | | | | | | | | | | | | | | | | | | |
| Port Threads | | | | | | | | | | | | | | | | | | | | | | | | | | | | | | | | | | | | | | | | | | |
| 16S | -16 SAE "T" Ports -6 SAE "GA" Port ISO 11926; SAE 1926 | | | | | | | | | | | | | | | | | | | | | | | | | | | | | | | | | | | | | | | | | |

Ductile Iron Flange Mount Bodies

Flange Mount Body with 2-port Cavity

Flange interface seal is supplied. See chart.
 Plug for GA Port (-6 SAE) is supplied.
 (4) mounting bolts are user supplied and must pass through flange and valve body to thread into customers flange interface.



| PART NO. | A | B | C | D |
|------------------|----------------|-----------------|-----------------|----------------|
| DFMBC16216F6216S | 2.00 [50.8] | 4.13 [104.8] | 4.00 [101.6] | 1.00 [25.4] |
| DFMBC16220F6216S | 2.00 [50.8] | 4.38 [111.1] | 4.00 [101.6] | 1.00 [25.4] |
| DFMBC16224F6216S | 2.00 [50.8] | 4.88 [123.8] | 4.50 [114.3] | 1.00 [25.4] |

| PART NO. | E | F | G | H |
|------------------|----------------|----------------|----------------|------|
| DFMBC16216F6216S | 2.00 [50.8] | 2.69 [68.3] | 0.47 [11.9] | -219 |
| DFMBC16220F6216S | 2.00 [50.8] | 2.81 [71.4] | 0.53 [13.5] | -222 |
| DFMBC16224F6216S | 2.25 [57.2] | 2.97 [75.4] | 0.66 [16.7] | -225 |

Specifications, descriptions, and dimensional data are subject to correction or change without notice or incurring obligation. Download latest catalog page revisions at www.damanifolds.com.

Ordering Information

| Material | Product Type | Cavity Type | Cavity Size | Flange Size | Flange Rating | Port Threads | | | | | | | | | | | | | | | | | | | | | | | | | | | | | | | | | | |
|--|---|-------------|-------------|--|---|--------------|--|--------------|--|------------|-------------------|---|-------------|--|----------|------------------------------------|---|-------------|--|------------|---------------|---|-------------|--|------------|--|------------|--|------------|--|---|---------------|--|-----------|-----------------------------------|---|--------------|--|------------|---|
| <table border="1"> <tr><th colspan="2">Material</th></tr> <tr> <td>D</td> <td>Ductile Iron - D4512 5000† psi • 34.5 MPa</td> </tr> <tr> <td colspan="2">† Working pressure should be considered in accordance with ISO 4413 to determine appropriate material type.</td> </tr> </table> | Material | | D | Ductile Iron - D4512 5000† psi • 34.5 MPa | † Working pressure should be considered in accordance with ISO 4413 to determine appropriate material type. | | <table border="1"> <tr><th colspan="2">Product Type</th></tr> <tr> <td>FMB</td> <td>Flange Mount Body</td> </tr> </table> | Product Type | | FMB | Flange Mount Body | <table border="1"> <tr><th colspan="2">Cavity Type</th></tr> <tr> <td>C</td> <td>Industry Standard Common Cavity</td> </tr> </table> | Cavity Type | | C | Industry Standard Common Cavity | <table border="1"> <tr><th colspan="2">Cavity Size</th></tr> <tr> <td>162</td> <td>Cavity C-16-2</td> </tr> </table> | Cavity Size | | 162 | Cavity C-16-2 | <table border="1"> <tr><th colspan="2">Flange Size</th></tr> <tr> <td>16F</td> <td>ISO 6162 - DN25 Split Flange SAE Size 16 (1.00") Flange</td> </tr> <tr> <td>20F</td> <td>ISO 6162 - DN32 Split Flange SAE Size 20 (1.25") Flange</td> </tr> <tr> <td>24F</td> <td>ISO 6162 - DN38 Split Flange SAE Size 24 (1.50") Flange</td> </tr> </table> | Flange Size | | 16F | ISO 6162 - DN25 Split Flange SAE Size 16 (1.00") Flange | 20F | ISO 6162 - DN32 Split Flange SAE Size 20 (1.25") Flange | 24F | ISO 6162 - DN38 Split Flange SAE Size 24 (1.50") Flange | <table border="1"> <tr><th colspan="2">Flange Rating</th></tr> <tr> <td>62</td> <td>ISO 6162 -40 MPa • SAE code 62</td> </tr> </table> | Flange Rating | | 62 | ISO 6162 -40 MPa • SAE code 62 | <table border="1"> <tr><th colspan="2">Port Threads</th></tr> <tr> <td>16S</td> <td>-16 SAE "T" Ports -6 SAE "GA" Port ISO 11926; SAE 1926</td> </tr> </table> | Port Threads | | 16S | -16 SAE "T" Ports -6 SAE "GA" Port ISO 11926; SAE 1926 |
| Material | | | | | | | | | | | | | | | | | | | | | | | | | | | | | | | | | | | | | | | | |
| D | Ductile Iron - D4512 5000† psi • 34.5 MPa | | | | | | | | | | | | | | | | | | | | | | | | | | | | | | | | | | | | | | | |
| † Working pressure should be considered in accordance with ISO 4413 to determine appropriate material type. | | | | | | | | | | | | | | | | | | | | | | | | | | | | | | | | | | | | | | | | |
| Product Type | | | | | | | | | | | | | | | | | | | | | | | | | | | | | | | | | | | | | | | | |
| FMB | Flange Mount Body | | | | | | | | | | | | | | | | | | | | | | | | | | | | | | | | | | | | | | | |
| Cavity Type | | | | | | | | | | | | | | | | | | | | | | | | | | | | | | | | | | | | | | | | |
| C | Industry Standard Common Cavity | | | | | | | | | | | | | | | | | | | | | | | | | | | | | | | | | | | | | | | |
| Cavity Size | | | | | | | | | | | | | | | | | | | | | | | | | | | | | | | | | | | | | | | | |
| 162 | Cavity C-16-2 | | | | | | | | | | | | | | | | | | | | | | | | | | | | | | | | | | | | | | | |
| Flange Size | | | | | | | | | | | | | | | | | | | | | | | | | | | | | | | | | | | | | | | | |
| 16F | ISO 6162 - DN25 Split Flange SAE Size 16 (1.00") Flange | | | | | | | | | | | | | | | | | | | | | | | | | | | | | | | | | | | | | | | |
| 20F | ISO 6162 - DN32 Split Flange SAE Size 20 (1.25") Flange | | | | | | | | | | | | | | | | | | | | | | | | | | | | | | | | | | | | | | | |
| 24F | ISO 6162 - DN38 Split Flange SAE Size 24 (1.50") Flange | | | | | | | | | | | | | | | | | | | | | | | | | | | | | | | | | | | | | | | |
| Flange Rating | | | | | | | | | | | | | | | | | | | | | | | | | | | | | | | | | | | | | | | | |
| 62 | ISO 6162 -40 MPa • SAE code 62 | | | | | | | | | | | | | | | | | | | | | | | | | | | | | | | | | | | | | | | |
| Port Threads | | | | | | | | | | | | | | | | | | | | | | | | | | | | | | | | | | | | | | | | |
| 16S | -16 SAE "T" Ports -6 SAE "GA" Port ISO 11926; SAE 1926 | | | | | | | | | | | | | | | | | | | | | | | | | | | | | | | | | | | | | | | |

Tapping Plate Mounting Hardware

| Part no. | Catalog pg. | Viton O-rings 75 durometer | Locating Pins | Plugs | Mounting Screws |
|---|--------------------------|-------------------------------------|--------------------------|---|---|
| * D03 TP PT 4P * D03 TP PT 4S * D03 TP PT 4B, M, T * D03 TP AB 4P * D03 TP AB 4S * D03 TP AB 4B, M, T * D03 TP L 4* | 142 | (4) -012 | (1) 0.12 dia x 0.25 long | (1) 0.25-18 NPTF LSPP (1) -4 SAE hex socket plug n/a (1) 0.25-18 NPTF LSPP (1) -4 SAE hex socket plug n/a n/a | n/a |
| * D03 TP SD * D03 TP OP * D03 TP BTV | 143 | (4) -012 | (1) 0.12 dia x 0.25 long | n/a (2) 0.06-27 NPTF LSPP n/a | n/a |
| * D03 TP 02 * AB | 144 | (8) -012 | (2) 0.12 dia x 0.25 long | n/a | n/a |
| * D05 TP PT 4P * D05 TP PT 4S * D05 TP PT 4B, M, T * D05 TP AB 4P * D05 TP AB 4S * D05 TP AB 4B, M, T * D05 TP L 4* | 145 | (5) -014 | n/a | (1) 0.25-18 NPTF LSPP (1) -4 SAE hex socket plug n/a (1) 0.25-18 NPTF LSPP (1) -4 SAE hex socket plug n/a n/a | n/a |
| * D05 TP SD * D05 TP BTV | 146 | (5) -014 | n/a | n/a | n/a |
| * D05 TP 02 * AB | 147 | (10) -014 | n/a | n/a | n/a |
| * D05H TP ** 4P * D05H TP ** 4S * D05H TP ** 4B, M, T | 148 | (2) -011, (5) -014 | n/a | (1) 0.25-18 NPTF LSPP (1) -4 SAE hex socket plug n/a | n/a |
| * D05HE TP ** 4P * D05HE TP ** 4S * D05HE TP ** 4B, M, T | 149 | (7) -014 | n/a | (1) 0.25-18 NPTF LSPP (1) -4 SAE hex socket plug n/a | n/a |
| * D05H TP XY 4P * D05H TP XY 4S * D05H TP XY 4B, M, T * D05H TP SD | 150 150 150 151 | (1) -011, (6) -014, and (1) -016 | n/a | (3) 0.25-18 NPTF LSPP (3) -4 SAE hex socket plug n/a n/a | n/a |
| * D05H TP 02 * AB * D05HE TP 02 * AB | 152 | (4) -011, (10) -014 (14) -014 | n/a | n/a | n/a |
| * D07 TP ** 4P * D07 TP ** 4S * D07 TP ** 4B, M, T | 153 | (2) -011, (4) -210 | (2) 0.12 dia x 0.25 long | (1) 0.25-18 NPTF LSPP (1) -4 SAE hex socket plug n/a | n/a |
| * D07 TP XY 4P * D07 TP XY 4S * D07 TP XY 4B, M, T * D07 TP SD | 154 154 154 155 | (2) -011, (4) -210 | (2) 0.12 dia x 0.25 long | (3) 0.25-18 NPTF LSPP (3) -4 SAE hex socket plug n/a n/a | n/a |
| * D05 D07 TP 02 4 AB | 156 | (4) -011, (8) -210 | (4) 0.12 dia x 0.25 long | n/a | (1) UNC 0.25-20 x 2.00 SHCS & (4) 0.38-16 x 2.00 long SHCS |
| * D08 TP ** 4P * D08 TP ** 4S * D08 TP ** 4B, M, T | 157 | (2) -210, (4) -215 | (2) 0.25 dia x 0.50 long | (1) 0.25-18 NPTF LSPP (1) -4 SAE hex socket plug n/a | n/a |
| * D08 TP XY 4P * D08 TP XY 4S * D08 TP XY 4B, M, T * D08 TP SD | 158 158 158 159 | (2) -210, (4) -215 | (2) 0.25 dia x 0.50 long | (3) 0.25-18 NPTF LSPP (3) -4 SAE hex socket plug n/a n/a | n/a |
| * D03 D08 TP 02 * AB * D05 D08 TP 02 * AB | 160 | (4) -210, (8) -215 | (4) 0.25 dia x 0.50 long | n/a | (6) UNC 0.50-13 x 2.00 SHCS |
| * D10 TP PTAB 4* | 161 | (3) -210, (4) -222 | (2) 0.25 dia x 0.50 long | n/a | n/a |



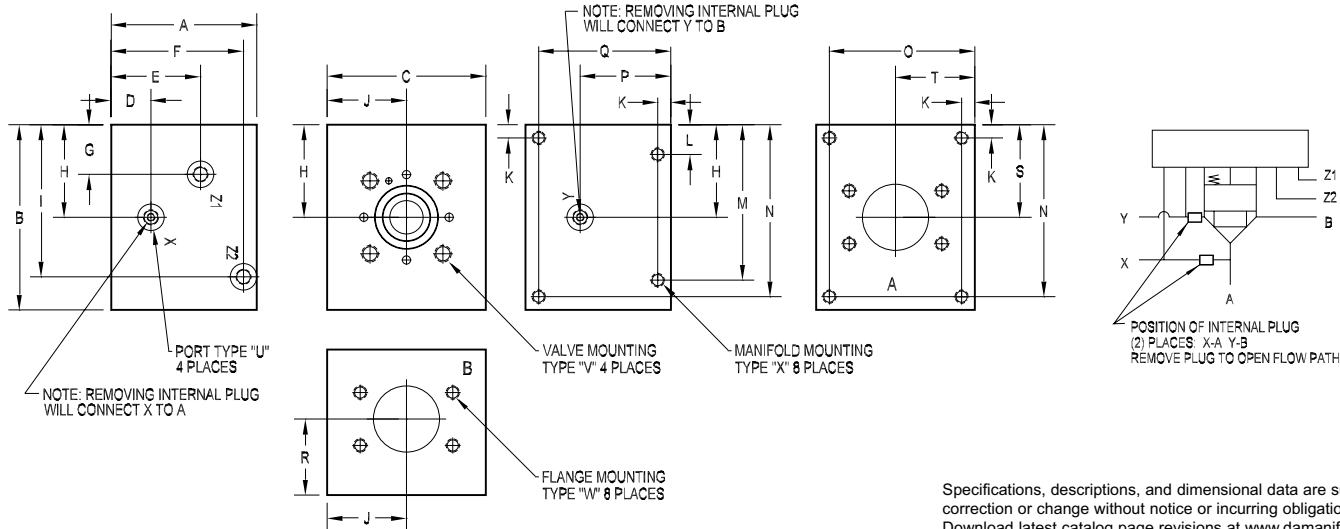
Hydraulic Valve Manifolds Better System Design Begins with a Manifold.

DIN CARTRIDGE VALVE BODIES

(ISO) 7368 • DIN 24342 • NFPA T3.5.45 STANDARDS)

| | |
|------------------------|----------|
| 16mm Body • XA Circuit | Page 166 |
| 16mm Body • XB Circuit | Page 167 |
| 25mm Body • XA Circuit | Page 168 |
| 25mm Body • XB Circuit | Page 169 |
| 32mm Body • XA Circuit | Page 170 |
| 32mm Body • XB Circuit | Page 171 |
| 40mm Body • XA Circuit | Page 172 |
| 40mm Body • XB Circuit | Page 173 |
| 50mm Body • XA Circuit | Page 174 |
| 50mm Body • XB Circuit | Page 175 |
| 63mm Body • XA Circuit | Page 176 |
| 63mm Body • XB Circuit | Page 177 |

16mm Body • XA Circuit

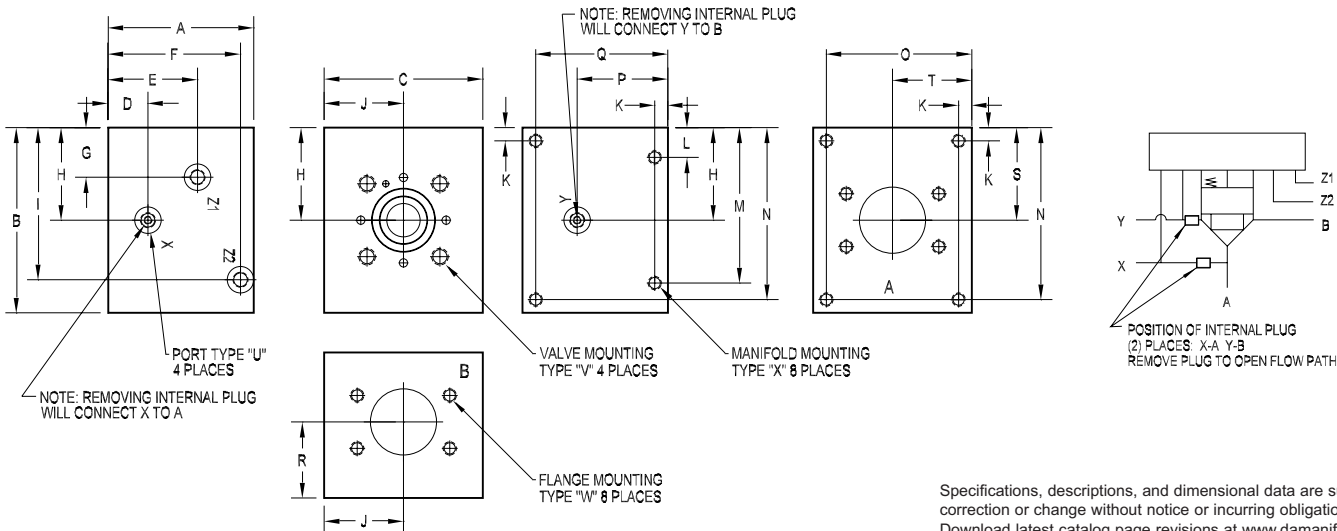


Specifications, descriptions, and dimensional data are subject to correction or change without notice or incurring obligation. Download latest catalog page revisions at www.damanifolds.com.

| PART NO. | A | B | C | D | E | F | G | H | I | J | K | L | M | N | O | P |
|-------------|---------|---------|---------|--------|--------|--------|--------|--------|--------|--------|-------|--------|--------|---------|--------|--------|
| *16XA16F61 | 3.50 | 4.00 | 3.00 | 1.00 | 1.56 | 2.00 | 0.75 | 1.63 | 2.63 | 1.50 | 0.31 | 0.69 | 3.31 | 3.69 | 2.69 | 2.14 |
| *16XA16F61M | [88.9] | [101.6] | [76.2] | [25.4] | [39.7] | [50.8] | [19.1] | [41.3] | [66.7] | [38.1] | [7.9] | [17.5] | [84.1] | [93.7] | [68.3] | [54.3] |
| *16XB16F61 | 3.50 | 4.00 | 3.00 | 2.14 | -- | 2.00 | 1.00 | 1.63 | 2.63 | 1.50 | 0.31 | 0.69 | 3.31 | 3.69 | 2.69 | 2.14 |
| *16XB16F61M | [88.9] | [101.6] | [76.2] | [54.3] | -- | [50.8] | [25.4] | [41.3] | [66.7] | [38.1] | [7.9] | [17.5] | [84.1] | [93.7] | [68.3] | [54.3] |
| D16XA16F62 | 3.50 | 4.25 | 3.50 | 1.00 | 1.56 | 2.00 | 0.88 | 1.88 | 2.88 | 1.75 | 0.31 | 0.69 | 3.56 | 3.94 | 3.19 | 2.14 |
| D16XA16F62M | [88.9] | [108.0] | [88.9] | [25.4] | [39.7] | [50.8] | [22.2] | [47.6] | [73.0] | [44.5] | [7.9] | [17.5] | [90.5] | [100.0] | [81.0] | [54.3] |
| D16XB16F62 | 3.50 | 4.25 | 3.50 | 2.14 | -- | 2.00 | 1.00 | 1.88 | 2.88 | 1.75 | 0.31 | 0.69 | 3.56 | 3.94 | 3.19 | 2.14 |
| D16XB16F62M | [88.9] | [108.0] | [88.9] | [54.3] | -- | [50.8] | [25.4] | [47.6] | [73.0] | [44.5] | [7.9] | [17.5] | [90.5] | [100.0] | [81.0] | [54.3] |
| *16XA20F61 | 3.50 | 4.00 | 3.50 | 1.00 | 2.14 | 2.14 | 0.63 | 1.63 | 2.63 | 1.75 | 0.31 | 0.66 | 3.34 | 3.69 | 3.19 | 2.14 |
| *16XA20F61M | [88.9] | [101.6] | [88.9] | [25.4] | [54.3] | [54.3] | [15.9] | [41.3] | [66.7] | [44.5] | [7.9] | [16.7] | [84.9] | [93.6] | [81.0] | [54.3] |
| *16XB20F61 | 3.50 | 4.00 | 3.50 | 2.14 | -- | 2.14 | 1.00 | 1.63 | 2.63 | 1.75 | 0.31 | 0.66 | 3.34 | 3.69 | 3.19 | 2.14 |
| *16XB20F61M | [88.9] | [101.6] | [88.9] | [54.3] | -- | [54.3] | [25.4] | [41.3] | [66.7] | [44.5] | [7.9] | [16.7] | [84.9] | [93.6] | [81.0] | [54.3] |
| D16XA20F62 | 4.00 | 4.50 | 4.00 | 1.50 | 2.64 | 2.50 | 1.13 | 2.13 | 3.13 | 2.00 | 0.38 | 0.88 | 3.63 | 4.13 | 3.63 | 2.64 |
| D16XA20F62M | [101.6] | [114.3] | [101.6] | [38.1] | [67.1] | [63.5] | [28.6] | [54.0] | [79.4] | [50.8] | [9.5] | [22.2] | [92.1] | [104.8] | [92.1] | [67.1] |
| D16XB20F62 | 4.00 | 4.50 | 4.00 | 2.64 | -- | 2.50 | 1.50 | 2.13 | 3.13 | 2.00 | 0.38 | 0.88 | 3.63 | 4.13 | 3.63 | 2.64 |
| D16XB20F62M | [101.6] | [114.3] | [101.6] | [67.1] | -- | [63.5] | [38.1] | [54.0] | [79.4] | [50.8] | [9.5] | [22.2] | [92.1] | [104.8] | [92.1] | [67.1] |

| PART NO. | Q | R | S | T | U pilot port size | V valve mounting | W flange mounting | X manifold mounting |
|-------------|--------|--------|--------|--------|-------------------|---------------------|----------------------|----------------------|
| *16XA16F61 | 3.19 | 2.14 | 1.63 | 1.50 | SAE #4 | 0.31 UNC x 0.88 DP | 0.38 UNC x 0.88 DP | 0.31 UNC x 0.63 DP |
| *16XA16F61M | [81.0] | [54.3] | [41.3] | [38.1] | ISO 6149 M10 | M8 ISO 6H x [22] DP | M10 ISO 6H x [22] DP | M8 ISO 6H x [16] DP |
| *16XB16F61 | 3.19 | 2.14 | 1.63 | 1.50 | SAE #4 | 0.31 UNC x 0.88 DP | 0.38 UNC x 0.88 DP | 0.31 UNC x 0.63 DP |
| *16XB16F61M | [81.0] | [54.3] | [41.3] | [38.1] | ISO 6149 M10 | M8 ISO 6H x [22] DP | M10 ISO 6H x [22] DP | M8 ISO 6H x [16] DP |
| D16XA16F62 | 3.19 | 2.00 | 1.88 | 1.75 | SAE #4 | 0.31 UNC x 0.88 DP | 0.44 UNC x 1.12 DP | 0.31 UNC x 0.63 DP |
| D16XA16F62M | [81.0] | [50.8] | [47.6] | [44.5] | ISO 6149 M10 | M8 ISO 6H x [22] DP | M10 ISO 6H x [28] DP | M8 ISO 6H x [16] DP |
| D16XB16F62 | 3.19 | 2.00 | 1.88 | 1.75 | SAE #4 | 0.31 UNC x 0.88 DP | 0.44 UNC x 1.12 DP | 0.31 UNC x 0.63 DP |
| D16XB16F62M | [81.0] | [50.8] | [47.6] | [44.5] | ISO 6149 M10 | M8 ISO 6H x [22] DP | M10 ISO 6H x [28] DP | M8 ISO 6H x [16] DP |
| *16XA20F61 | 3.19 | 2.14 | 1.67 | 1.75 | SAE #4 | 0.31 UNC x 0.88 DP | 0.44 UNC x 1.12 DP | 0.31 UNC x 0.63 DP |
| *16XA20F61M | [81.0] | [54.3] | [42.5] | [44.5] | ISO 6149 M10 | M8 ISO 6H x [22] DP | M10 ISO 6H x [28] DP | M8 ISO 6H x [16] DP |
| *16XB20F61 | 3.19 | 2.14 | 1.67 | 1.75 | SAE #4 | 0.31 UNC x 0.88 DP | 0.44 UNC x 1.12 DP | 0.31 UNC x 0.63 DP |
| *16XB20F61M | [81.0] | [54.3] | [42.5] | [44.5] | ISO 6149 M10 | M8 ISO 6H x [22] DP | M10 ISO 6H x [28] DP | M8 ISO 6H x [16] DP |
| D16XA20F62 | 3.63 | 2.47 | 2.13 | 2.00 | SAE #4 | 0.31 UNC x 0.88 DP | 0.50 UNC x 1.19 DP | 0.38 UNC x 1.00 DP |
| D16XA20F62M | [92.1] | [62.7] | [54.0] | [50.8] | ISO 6149 M10 | M8 ISO 6H x [22] DP | M12 ISO 6H x [30] DP | M10 ISO 6H x [25] DP |
| D16XB20F62 | 3.63 | 2.47 | 2.13 | 2.00 | SAE #4 | 0.31 UNC x 0.88 DP | 0.50 UNC x 1.19 DP | 0.38 UNC x 1.00 DP |
| D16XB20F62M | [92.1] | [62.7] | [54.0] | [50.8] | ISO 6149 M10 | M8 ISO 6H x [22] DP | M12 ISO 6H x [30] DP | M10 ISO 6H x [25] DP |

25mm Body • XA Circuit

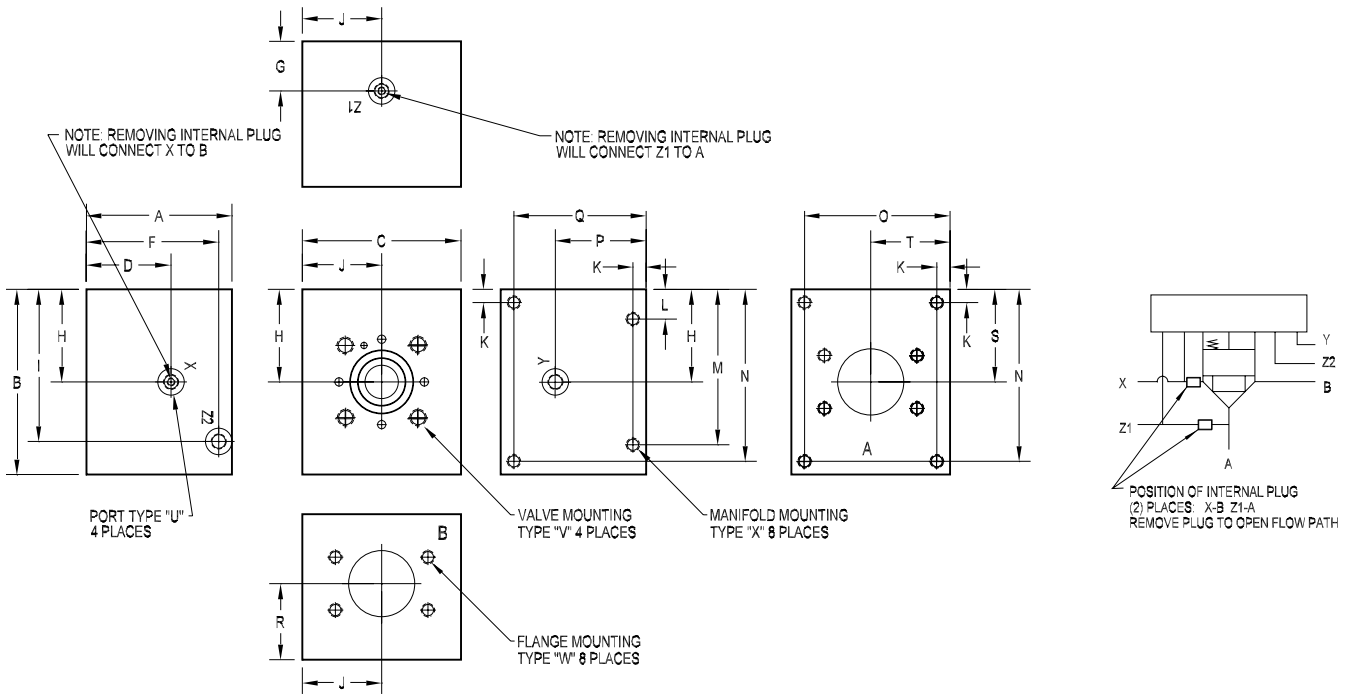


Specifications, descriptions, and dimensional data are subject to correction or change without notice or incurring obligation. Download latest catalog page revisions at www.damanifolds.com.

| PART NO. | A | B | C | D | E | F | G | H | I | J | K | L | M | N | O | P |
|-------------|---------|---------|---------|--------|--------|---------|--------|--------|---------|--------|--------|--------|---------|---------|---------|--------|
| *25XA20F61 | 4.00 | 5.00 | 4.50 | 0.75 | 2.13 | 3.50 | 0.53 | 1.88 | 3.75 | 2.25 | 0.38 | 0.88 | 4.13 | 4.63 | 4.13 | 2.25 |
| *25XA20F61M | [101.6] | [127.0] | [114.3] | [19.1] | [54.0] | [88.9] | [13.5] | [47.6] | [95.3] | [57.2] | [9.5] | [22.2] | [104.8] | [117.5] | [104.8] | [57.2] |
| *25XB20F61 | 4.00 | 5.00 | 4.50 | 2.25 | -- | 3.50 | 0.75 | 1.88 | 3.75 | 2.25 | 0.38 | 0.88 | 4.13 | 4.63 | 4.13 | 2.25 |
| *25XB20F61M | [101.6] | [127.0] | [114.3] | [57.2] | -- | [88.9] | [19.1] | [47.6] | [95.3] | [57.2] | [9.5] | [22.2] | [104.8] | [117.5] | [104.8] | [57.2] |
| D25XA20F62 | 4.00 | 5.00 | 4.50 | 0.75 | 2.13 | 3.50 | 0.72 | 2.06 | 3.94 | 2.25 | 0.38 | 0.88 | 4.13 | 4.63 | 4.13 | 2.25 |
| D25XA20F62M | [101.6] | [127.0] | [114.3] | [19.1] | [54.0] | [88.9] | [18.3] | [52.4] | [100.0] | [57.2] | [9.5] | [22.2] | [104.8] | [117.5] | [104.8] | [57.2] |
| D25XB20F62 | 4.00 | 5.00 | 4.50 | 2.25 | -- | 3.50 | 0.75 | 2.06 | 3.94 | 2.25 | 0.38 | 0.88 | 4.13 | 4.63 | 4.13 | 2.25 |
| D25XB20F62M | [101.6] | [127.0] | [114.3] | [57.2] | -- | [88.9] | [19.1] | [52.4] | [100.0] | [57.2] | [9.5] | [22.2] | [104.8] | [117.5] | [104.8] | [57.2] |
| *25XA32F61 | 5.00 | 6.00 | 4.50 | 1.75 | 3.13 | 4.50 | 1.53 | 2.88 | 4.75 | 2.25 | 0.50 | 1.13 | 4.88 | 5.50 | 4.00 | 3.25 |
| *25XA32F61M | [127.0] | [152.4] | [114.3] | [44.5] | [79.4] | [114.3] | [38.9] | [73.0] | [120.7] | [57.2] | [12.7] | [28.6] | [123.8] | [139.7] | [101.6] | [82.6] |
| *25XB32F61 | 5.00 | 6.00 | 4.50 | 3.25 | -- | 4.50 | 1.75 | 2.88 | 4.75 | 2.25 | 0.50 | 1.13 | 4.88 | 5.50 | 4.00 | 3.25 |
| *25XB32F61M | [127.0] | [152.4] | [114.3] | [82.6] | -- | [114.3] | [44.5] | [73.0] | [120.7] | [57.2] | [12.7] | [28.6] | [123.8] | [139.7] | [101.6] | [82.6] |
| D25XA32F62 | 5.00 | 6.50 | 6.00 | 1.75 | 3.13 | 4.50 | 1.78 | 3.13 | 5.00 | 3.00 | 0.50 | 1.13 | 5.38 | 6.00 | 5.50 | 3.25 |
| D25XA32F62M | [127.0] | [165.1] | [152.4] | [44.5] | [79.4] | [114.3] | [45.2] | [79.4] | [127.0] | [76.2] | [12.7] | [28.6] | [136.5] | [152.4] | [139.7] | [82.6] |
| D25XB32F62 | 5.00 | 6.50 | 6.00 | 3.25 | -- | 4.50 | 1.75 | 3.13 | 5.00 | 3.00 | 0.50 | 1.13 | 5.38 | 6.00 | 5.50 | 3.25 |
| D25XB32F62M | [101.6] | [165.1] | [152.4] | [82.6] | -- | [114.3] | [44.5] | [79.4] | [127.0] | [76.2] | [12.7] | [28.6] | [136.5] | [152.4] | [139.7] | [82.6] |

| PART NO. | Q | R | S | T | U pilot port size | V valve mounting | W flange mounting | X manifold mounting |
|-------------|---------|--------|--------|--------|-------------------|--------------------|--------------------|---------------------|
| *25XA20F61 | 3.63 | 2.25 | 1.88 | 2.25 | SAE #6 | 0.50 UNC x 1.19 DP | 0.44 UNC x 1.12 DP | 0.38 UNC x 1.00 DP |
| *25XA20F61M | [92.1] | [57.2] | [47.6] | [57.2] | ISO 6149 M14 | M12 ISO 6H x 30 DP | M10 ISO 6H x 28 DP | M10 ISO 6H x 25 DP |
| *25XB20F61 | 3.63 | 2.25 | 1.88 | 2.25 | SAE #6 | 0.50 UNC x 1.19 DP | 0.44 UNC x 1.12 DP | 0.38 UNC x 1.00 DP |
| *25XB20F61M | [92.1] | [57.2] | [47.6] | [57.2] | ISO 6149 M14 | M12 ISO 6H x 30 DP | M10 ISO 6H x 28 DP | M10 ISO 6H x 25 DP |
| D25XA20F62 | 3.63 | 2.25 | 2.06 | 2.25 | SAE #6 | 0.50 UNC x 1.19 DP | 0.50 UNC x 1.19 DP | 0.38 UNC x 1.00 DP |
| D25XA20F62M | [92.1] | [57.2] | [52.4] | [57.2] | ISO 6149 M14 | M12 ISO 6H x 30 DP | M12 ISO 6H x 30 DP | M10 ISO 6H x 25 DP |
| D25XB20F62 | 3.63 | 2.25 | 2.06 | 2.25 | SAE #6 | 0.50 UNC x 1.19 DP | 0.50 UNC x 1.19 DP | 0.38 UNC x 1.00 DP |
| D25XB20F62M | [92.1] | [57.2] | [52.4] | [57.2] | ISO 6149 M14 | M12 ISO 6H x 30 DP | M12 ISO 6H x 30 DP | M10 ISO 6H x 25 DP |
| *25XA32F61 | 4.50 | 2.75 | 2.88 | 2.25 | SAE #6 | 0.50 UNC x 1.19 DP | 0.50 UNC x 1.19 DP | 0.50 UNC x 1.00 DP |
| *25XA32F61M | [114.3] | [69.9] | [73.0] | [57.2] | ISO 6149 M14 | M12 ISO 6H x 30 DP | M12 ISO 6H x 30 DP | M12 ISO 6H x 25 DP |
| *25XB32F61 | 4.50 | 2.75 | 2.88 | 2.25 | SAE #6 | 0.50 UNC x 1.19 DP | 0.50 UNC x 1.19 DP | 0.50 UNC x 1.00 DP |
| *25XB32F61M | [114.3] | [69.9] | [73.0] | [57.2] | ISO 6149 M14 | M12 ISO 6H x 30 DP | M12 ISO 6H x 30 DP | M12 ISO 6H x 25 DP |
| D25XA32F62 | 4.50 | 2.75 | 3.13 | 3.00 | SAE #6 | 0.50 UNC x 1.19 DP | 0.75 UNC x 1.62 DP | 0.50 UNC x 1.00 DP |
| D25XA32F62M | [114.3] | [69.9] | [79.4] | [76.2] | ISO 6149 M14 | M12 ISO 6H x 30 DP | M20 ISO 6H x 41 DP | M12 ISO 6H x 25 DP |
| D25XB32F62 | 4.50 | 2.75 | 3.13 | 3.00 | SAE #6 | 0.50 UNC x 1.19 DP | 0.75 UNC x 1.62 DP | 0.50 UNC x 1.00 DP |
| D25XB32F62M | [114.3] | [69.9] | [79.4] | [76.2] | ISO 6149 M14 | M12 ISO 6H x 30 DP | M20 ISO 6H x 41 DP | M12 ISO 6H x 25 DP |

25mm Body • XB Circuit

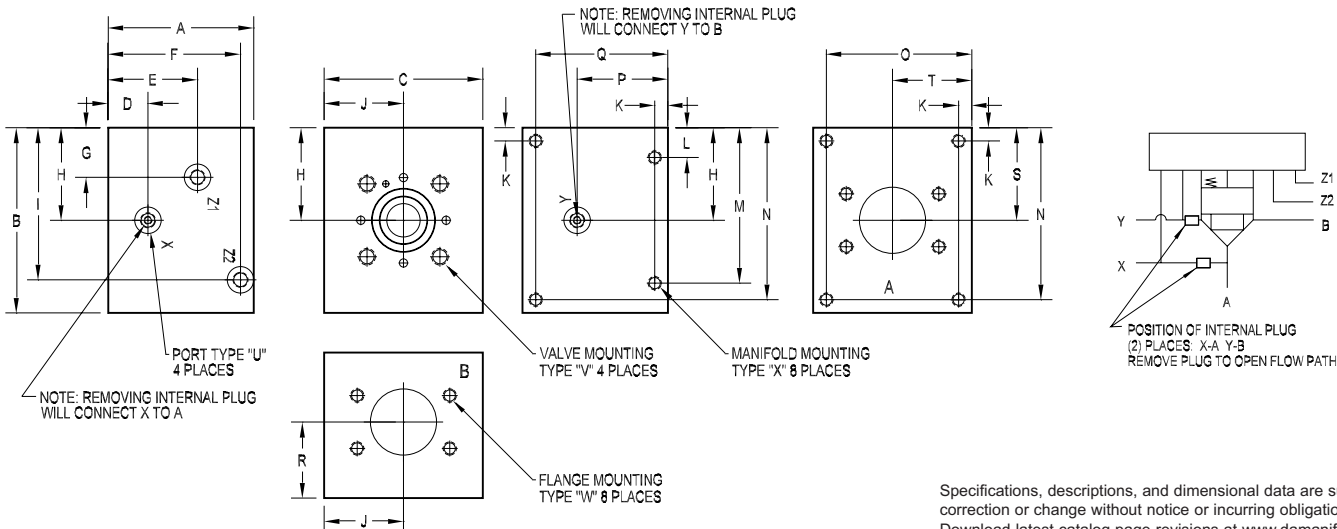


Specifications, descriptions, and dimensional data are subject to correction or change without notice or incurring obligation. Download latest catalog page revisions at www.damanifolds.com.

Ordering Information

| Material | Valve Cavity | Pilot Circuit | A & B Port Size | Flange Rating | Thread Type | | | | | | | | | | | | | | | | | | | | | | | | | | | | | | | | | | | | | | | | | | |
|--|--|---------------|-----------------|--|-------------|--|---|--|--|--------------|--|-----------|--|--|---------------|--|-----------|--------------------------------|-----------|---------------------------------|---|--|---|-----------------|--|------------|--|------------|--|--|---------------|--|---------------------|--|-----------|---|--------------|--|-----------|---|--|-------------|--|-------------|----------------------|----------|------------------------|
| <table border="1"> <thead> <tr> <th colspan="2">Material</th> </tr> </thead> <tbody> <tr> <td>A</td> <td>Aluminum - 6061-T6 3000† psi • 20.7 MPa</td> </tr> <tr> <td>D</td> <td>Ductile Iron - D4512 5000† psi • 34.5 MPa</td> </tr> <tr> <td colspan="2">† Working pressure should be considered in accordance with ISO 4413 to determine appropriate material type.</td> </tr> </tbody> </table> | Material | | A | Aluminum - 6061-T6 3000† psi • 20.7 MPa | D | Ductile Iron - D4512 5000† psi • 34.5 MPa | † Working pressure should be considered in accordance with ISO 4413 to determine appropriate material type. | | <table border="1"> <thead> <tr> <th colspan="2">Valve Cavity</th> </tr> </thead> <tbody> <tr> <td>25</td> <td>DIN 24342 - 25mm ISO 7368-08-03 (Standard currently under revision) NFPA T3.5.45-BB-08-2-A</td> </tr> </tbody> </table> | Valve Cavity | | 25 | DIN 24342 - 25mm ISO 7368-08-03 (Standard currently under revision) NFPA T3.5.45-BB-08-2-A | <table border="1"> <thead> <tr> <th colspan="2">Pilot Circuit</th> </tr> </thead> <tbody> <tr> <td>XA</td> <td>X common to A Y common to B</td> </tr> <tr> <td>XB</td> <td>X common to B Z1 common to A</td> </tr> <tr> <td colspan="2">These connections are furnished plugged (external pilot ports). Remove plugs for internal pilot ports. See circuit diagram.</td> </tr> </tbody> </table> | Pilot Circuit | | XA | X common to A Y common to B | XB | X common to B Z1 common to A | These connections are furnished plugged (external pilot ports). Remove plugs for internal pilot ports. See circuit diagram. | | <table border="1"> <thead> <tr> <th colspan="2">A & B Port Size</th> </tr> </thead> <tbody> <tr> <td>20F</td> <td>ISO 6162 - DN32 Split Flange SAE Size 20 (1.25") Flange</td> </tr> <tr> <td>32F</td> <td>ISO 6162 - DN51 Split Flange SAE Size 32 (2.00") Flange</td> </tr> </tbody> </table> | A & B Port Size | | 20F | ISO 6162 - DN32 Split Flange SAE Size 20 (1.25") Flange | 32F | ISO 6162 - DN51 Split Flange SAE Size 32 (2.00") Flange | <table border="1"> <thead> <tr> <th colspan="2">Flange Rating</th> </tr> </thead> <tbody> <tr> <td colspan="2">Aluminum or Ductile</td> </tr> <tr> <td>61</td> <td>ISO 6162 - 2.5 to 35 MPa SAE code 61</td> </tr> <tr> <td colspan="2">Ductile only</td> </tr> <tr> <td>62</td> <td>ISO 6162 - 40 MPa series SAE code 62</td> </tr> </tbody> </table> | Flange Rating | | Aluminum or Ductile | | 61 | ISO 6162 - 2.5 to 35 MPa SAE code 61 | Ductile only | | 62 | ISO 6162 - 40 MPa series SAE code 62 | <table border="1"> <thead> <tr> <th colspan="2">Thread Type</th> </tr> </thead> <tbody> <tr> <td>Omit</td> <td>Inch threads / ports</td> </tr> <tr> <td>M</td> <td>Metric threads / ports</td> </tr> </tbody> </table> | Thread Type | | Omit | Inch threads / ports | M | Metric threads / ports |
| Material | | | | | | | | | | | | | | | | | | | | | | | | | | | | | | | | | | | | | | | | | | | | | | | |
| A | Aluminum - 6061-T6 3000† psi • 20.7 MPa | | | | | | | | | | | | | | | | | | | | | | | | | | | | | | | | | | | | | | | | | | | | | | |
| D | Ductile Iron - D4512 5000† psi • 34.5 MPa | | | | | | | | | | | | | | | | | | | | | | | | | | | | | | | | | | | | | | | | | | | | | | |
| † Working pressure should be considered in accordance with ISO 4413 to determine appropriate material type. | | | | | | | | | | | | | | | | | | | | | | | | | | | | | | | | | | | | | | | | | | | | | | | |
| Valve Cavity | | | | | | | | | | | | | | | | | | | | | | | | | | | | | | | | | | | | | | | | | | | | | | | |
| 25 | DIN 24342 - 25mm ISO 7368-08-03 (Standard currently under revision) NFPA T3.5.45-BB-08-2-A | | | | | | | | | | | | | | | | | | | | | | | | | | | | | | | | | | | | | | | | | | | | | | |
| Pilot Circuit | | | | | | | | | | | | | | | | | | | | | | | | | | | | | | | | | | | | | | | | | | | | | | | |
| XA | X common to A Y common to B | | | | | | | | | | | | | | | | | | | | | | | | | | | | | | | | | | | | | | | | | | | | | | |
| XB | X common to B Z1 common to A | | | | | | | | | | | | | | | | | | | | | | | | | | | | | | | | | | | | | | | | | | | | | | |
| These connections are furnished plugged (external pilot ports). Remove plugs for internal pilot ports. See circuit diagram. | | | | | | | | | | | | | | | | | | | | | | | | | | | | | | | | | | | | | | | | | | | | | | | |
| A & B Port Size | | | | | | | | | | | | | | | | | | | | | | | | | | | | | | | | | | | | | | | | | | | | | | | |
| 20F | ISO 6162 - DN32 Split Flange SAE Size 20 (1.25") Flange | | | | | | | | | | | | | | | | | | | | | | | | | | | | | | | | | | | | | | | | | | | | | | |
| 32F | ISO 6162 - DN51 Split Flange SAE Size 32 (2.00") Flange | | | | | | | | | | | | | | | | | | | | | | | | | | | | | | | | | | | | | | | | | | | | | | |
| Flange Rating | | | | | | | | | | | | | | | | | | | | | | | | | | | | | | | | | | | | | | | | | | | | | | | |
| Aluminum or Ductile | | | | | | | | | | | | | | | | | | | | | | | | | | | | | | | | | | | | | | | | | | | | | | | |
| 61 | ISO 6162 - 2.5 to 35 MPa SAE code 61 | | | | | | | | | | | | | | | | | | | | | | | | | | | | | | | | | | | | | | | | | | | | | | |
| Ductile only | | | | | | | | | | | | | | | | | | | | | | | | | | | | | | | | | | | | | | | | | | | | | | | |
| 62 | ISO 6162 - 40 MPa series SAE code 62 | | | | | | | | | | | | | | | | | | | | | | | | | | | | | | | | | | | | | | | | | | | | | | |
| Thread Type | | | | | | | | | | | | | | | | | | | | | | | | | | | | | | | | | | | | | | | | | | | | | | | |
| Omit | Inch threads / ports | | | | | | | | | | | | | | | | | | | | | | | | | | | | | | | | | | | | | | | | | | | | | | |
| M | Metric threads / ports | | | | | | | | | | | | | | | | | | | | | | | | | | | | | | | | | | | | | | | | | | | | | | |

32mm Body • XA Circuit

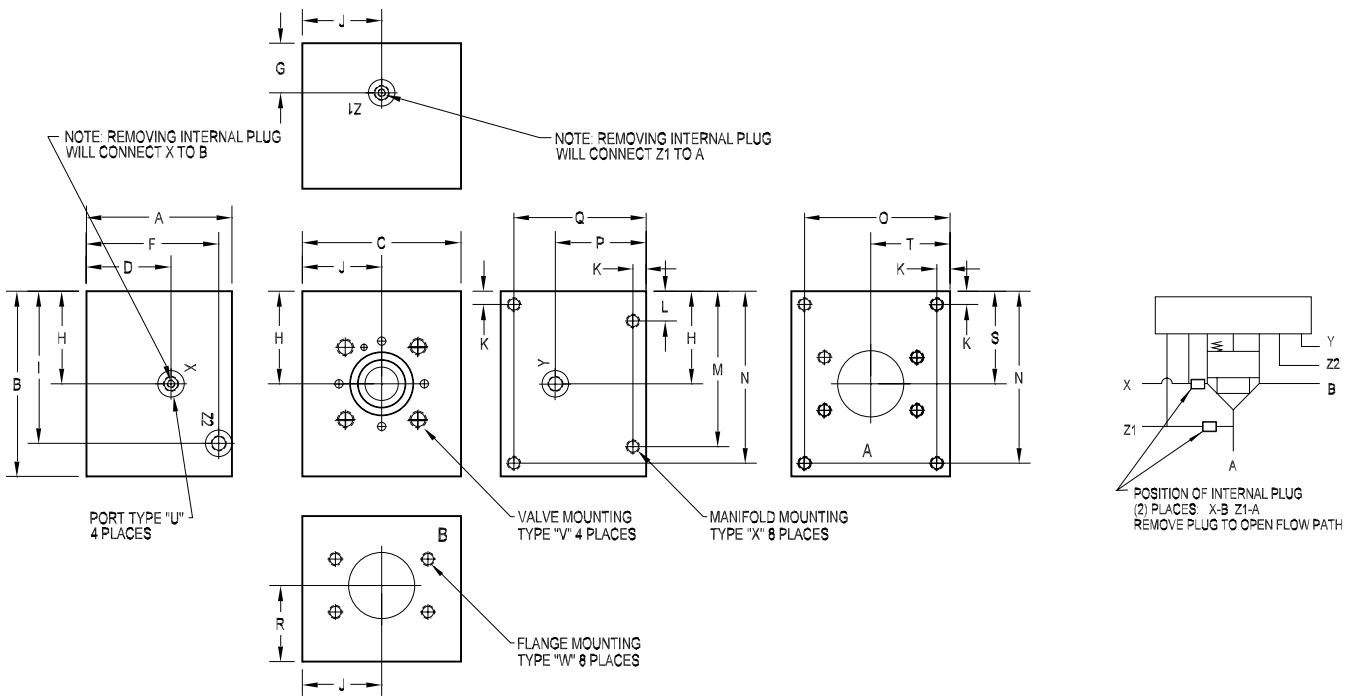


Specifications, descriptions, and dimensional data are subject to correction or change without notice or incurring obligation. Download latest catalog page revisions at www.damanifolds.com.

| PART NO. | A | B | C | D | E | F | G | H | I | J | K | L | M | N | O | P |
|-------------|---------|---------|---------|---------|---------|---------|--------|---------|---------|--------|--------|--------|---------|---------|---------|---------|
| *32XA24F61 | 5.50 | 6.00 | 6.00 | 1.50 | 3.38 | 5.00 | 0.88 | 2.50 | 4.75 | 3.00 | 0.50 | 1.13 | 4.88 | 5.50 | 5.50 | 3.43 |
| *32XA24F61M | [139.7] | [152.4] | [152.4] | [38.1] | [85.7] | [127.0] | [22.2] | [63.5] | [120.7] | [76.2] | [12.7] | [28.6] | [123.8] | [139.7] | [139.7] | [87.2] |
| *32XB24F61 | 5.50 | 6.00 | 6.00 | 3.43 | -- | 5.00 | 1.50 | 2.50 | 4.75 | 3.00 | 0.50 | 1.13 | 4.88 | 5.50 | 5.50 | 3.43 |
| *32XB24F61M | [139.7] | [152.4] | [152.4] | [87.2] | -- | [127.0] | [38.1] | [63.5] | [120.7] | [76.2] | [12.7] | [28.6] | [123.8] | [139.7] | [139.7] | [87.2] |
| D32XA24F62 | 5.50 | 6.00 | 6.00 | 1.50 | 3.38 | 5.00 | 0.88 | 2.50 | 4.75 | 3.00 | 0.50 | 1.13 | 4.88 | 5.50 | 5.50 | 3.43 |
| D32XA24F62M | [139.7] | [152.4] | [152.4] | [38.1] | [85.7] | [127.0] | [22.2] | [63.5] | [120.7] | [76.2] | [12.7] | [28.6] | [123.8] | [139.7] | [139.7] | [87.2] |
| D32XB24F62 | 5.50 | 6.00 | 6.00 | 3.43 | -- | 5.00 | 1.50 | 2.50 | 4.75 | 3.00 | 0.50 | 1.13 | 4.88 | 5.50 | 5.50 | 3.43 |
| D32XB24F62M | [139.7] | [152.4] | [152.4] | [87.2] | -- | [127.0] | [38.1] | [63.5] | [120.7] | [76.2] | [12.7] | [28.6] | [123.8] | [139.7] | [139.7] | [87.2] |
| *32XA40F61 | 5.50 | 7.00 | 6.00 | 1.50 | 3.38 | 5.00 | 1.88 | 3.50 | 5.75 | 3.00 | 0.50 | 1.13 | 5.88 | 6.50 | 5.50 | 3.43 |
| *32XA40F61M | [139.7] | [177.8] | [152.4] | [38.1] | [85.7] | [127.0] | [47.6] | [88.9] | [146.1] | [76.2] | [12.7] | [28.6] | [149.2] | [165.1] | [139.7] | [87.2] |
| *32XB40F61 | 5.50 | 7.00 | 6.00 | 3.43 | -- | 5.00 | 1.50 | 3.50 | 5.75 | 3.00 | 0.50 | 1.13 | 5.88 | 6.50 | 5.50 | 3.43 |
| *32XB40F61M | [139.7] | [177.8] | [152.4] | [87.2] | -- | [127.0] | [38.1] | [88.9] | [146.1] | [76.2] | [12.7] | [28.6] | [149.2] | [165.1] | [139.7] | [87.2] |
| D32XA40F62 | 6.50 | 8.00 | 7.50 | 2.50 | 4.38 | 6.00 | 2.38 | 4.00 | 6.25 | 3.75 | 0.63 | 1.38 | 6.63 | 7.38 | 6.88 | 4.43 |
| D32XA40F62M | [165.1] | [203.2] | [190.5] | [63.5] | [111.1] | [152.4] | [60.3] | [101.6] | [158.8] | [95.3] | [15.9] | [34.9] | [168.3] | [187.3] | [174.6] | [112.6] |
| D32XB40F62 | 6.50 | 8.00 | 7.50 | 4.43 | -- | 6.00 | 2.50 | 4.00 | 6.25 | 3.75 | 0.63 | 1.38 | 6.63 | 7.38 | 6.88 | 4.43 |
| D32XB40F62M | [165.1] | [203.2] | [190.5] | [112.6] | -- | [152.4] | [63.5] | [101.6] | [158.8] | [95.3] | [15.9] | [34.9] | [168.3] | [187.3] | [174.6] | [112.6] |

| PART NO. | Q | R | S | T | U pilot port size | V valve mounting | W flange mounting | X manifold mounting |
|-------------|---------|--------|---------|--------|-------------------|--------------------|--------------------|---------------------|
| *32XA24F61 | 5.00 | 3.43 | 2.50 | 3.00 | SAE #6 | 0.63 UNC x 1.44 DP | 0.50 UNC x 1.19 DP | 0.50 UNC x 1.00 DP |
| *32XA24F61M | [127.0] | [87.2] | [63.5] | [76.2] | ISO 6149 M14 | M16 ISO 6H x 36 DP | M12 ISO 6H x 30 DP | M12 ISO 6H x 25 DP |
| *32XB24F61 | 5.00 | 3.43 | 2.50 | 3.00 | SAE #6 | 0.63 UNC x 1.44 DP | 0.50 UNC x 1.19 DP | 0.50 UNC x 1.00 DP |
| *32XB24F61M | [127.0] | [87.2] | [63.5] | [76.2] | ISO 6149 M14 | M16 ISO 6H x 36 DP | M12 ISO 6H x 30 DP | M12 ISO 6H x 25 DP |
| D32XA24F62 | 5.00 | 3.43 | 2.50 | 3.00 | SAE #6 | 0.63 UNC x 1.44 DP | 0.63 UNC x 1.44 DP | 0.50 UNC x 1.00 DP |
| D32XA24F62M | [127.0] | [87.2] | [63.5] | [76.2] | ISO 6149 M14 | M16 ISO 6H x 36 DP | M16 ISO 6H x 36 DP | M12 ISO 6H x 25 DP |
| D32XB24F62 | 5.00 | 3.43 | 2.50 | 3.00 | SAE #6 | 0.63 UNC x 1.44 DP | 0.63 UNC x 1.44 DP | 0.50 UNC x 1.00 DP |
| D32XB24F62M | [127.0] | [87.2] | [63.5] | [76.2] | ISO 6149 M14 | M16 ISO 6H x 36 DP | M16 ISO 6H x 36 DP | M12 ISO 6H x 25 DP |
| *32XA40F61 | 5.00 | 2.88 | 3.50 | 3.00 | SAE #6 | 0.63 UNC x 1.44 DP | 0.50 UNC x 1.19 DP | 0.50 UNC x 1.00 DP |
| *32XA40F61M | [127.0] | [73.0] | [88.9] | [76.2] | ISO 6149 M14 | M16 ISO 6H x 36 DP | M12 ISO 6H x 30 DP | M12 ISO 6H x 25 DP |
| *32XB40F61 | 5.00 | 2.88 | 3.50 | 3.00 | SAE #6 | 0.63 UNC x 1.44 DP | 0.50 UNC x 1.19 DP | 0.50 UNC x 1.00 DP |
| *32XB40F61M | [127.0] | [73.0] | [88.9] | [76.2] | ISO 6149 M14 | M16 ISO 6H x 36 DP | M12 ISO 6H x 30 DP | M12 ISO 6H x 25 DP |
| D32XA40F62 | 5.88 | 3.38 | 4.00 | 3.75 | SAE #6 | 0.63 UNC x 1.44 DP | 0.88 UNC x 1.88 DP | 0.63 UNC x 1.44 DP |
| D32XA40F62M | [149.2] | [85.7] | [101.6] | [95.3] | ISO 6149 M14 | M16 ISO 6H x 36 DP | M22 ISO 6H x 48 DP | M16 ISO 6H x 36 DP |
| D32XB40F62 | 5.88 | 3.38 | 4.00 | 3.75 | SAE #6 | 0.63 UNC x 1.44 DP | 0.88 UNC x 1.88 DP | 0.63 UNC x 1.44 DP |
| D32XB40F62M | [149.2] | [85.7] | [101.6] | [95.3] | ISO 6149 M14 | M16 ISO 6H x 36 DP | M22 ISO 6H x 48 DP | M16 ISO 6H x 36 DP |

32mm Body • XB Circuit

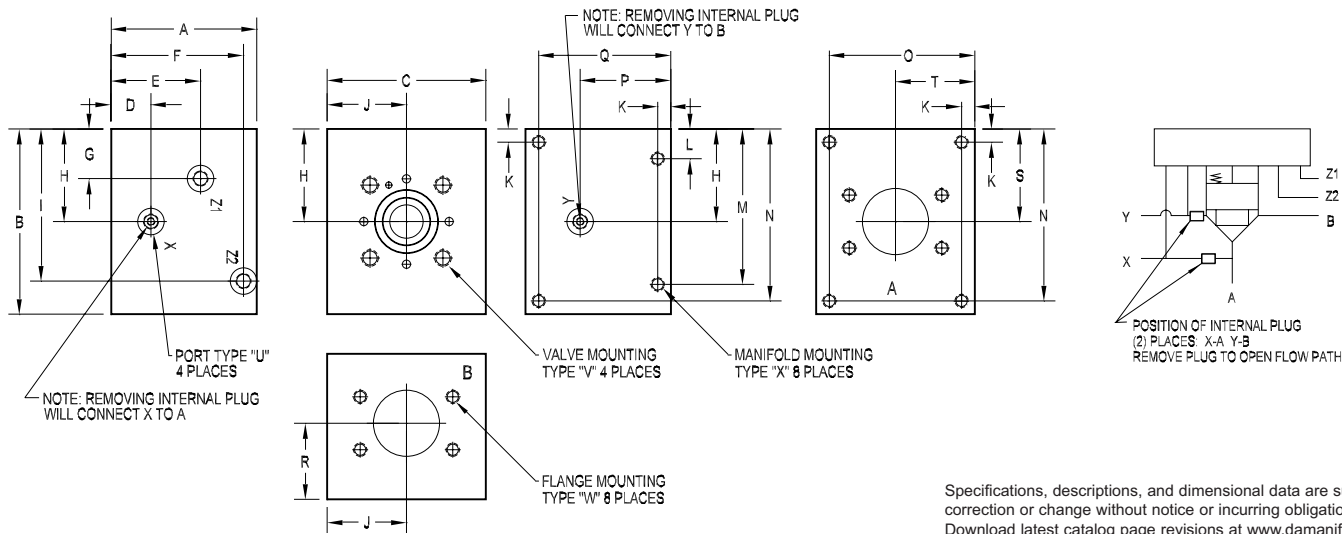


Specifications, descriptions, and dimensional data are subject to correction or change without notice or incurring obligation. Download latest catalog page revisions at www.damanifolds.com.

Ordering Information

| Material | Valve Cavity | Pilot Circuit | A & B Port Size | Flange Rating | Thread Type | | | | | | | | | | | | | | | | | | | | | | | | | | | | | | | | | | | | | | | | | | |
|--|--|---------------|-----------------|--|-------------|--|---|--|--|--------------|--|-----------|--|--|---------------|--|-----------|--------------------------------|-----------|---------------------------------|---|--|---|-----------------|--|------------|--|------------|--|--|---------------|--|---------------------|--|-----------|---|--------------|--|-----------|---|--|-------------|--|-------------|----------------------|----------|------------------------|
| <table border="1"> <thead> <tr> <th colspan="2">Material</th> </tr> </thead> <tbody> <tr> <td>A</td> <td>Aluminum - 6061-T6 3000† psi • 20.7 MPa</td> </tr> <tr> <td>D</td> <td>Ductile Iron - D4512 5000† psi • 34.5 MPa</td> </tr> <tr> <td colspan="2">† Working pressure should be considered in accordance with ISO 4413 to determine appropriate material type.</td> </tr> </tbody> </table> | Material | | A | Aluminum - 6061-T6 3000† psi • 20.7 MPa | D | Ductile Iron - D4512 5000† psi • 34.5 MPa | † Working pressure should be considered in accordance with ISO 4413 to determine appropriate material type. | | <table border="1"> <thead> <tr> <th colspan="2">Valve Cavity</th> </tr> </thead> <tbody> <tr> <td>32</td> <td>DIN 24342 - 32mm ISO 7368-09-05 (Standard currently under revision) NFFA T3.5.45-BC-09-2-A</td> </tr> </tbody> </table> | Valve Cavity | | 32 | DIN 24342 - 32mm ISO 7368-09-05 (Standard currently under revision) NFFA T3.5.45-BC-09-2-A | <table border="1"> <thead> <tr> <th colspan="2">Pilot Circuit</th> </tr> </thead> <tbody> <tr> <td>XA</td> <td>X common to A Y common to B</td> </tr> <tr> <td>XB</td> <td>X common to B Z1 common to A</td> </tr> <tr> <td colspan="2">These connections are furnished plugged (external pilot ports). Remove plugs for internal pilot ports. See circuit diagram.</td> </tr> </tbody> </table> | Pilot Circuit | | XA | X common to A Y common to B | XB | X common to B Z1 common to A | These connections are furnished plugged (external pilot ports). Remove plugs for internal pilot ports. See circuit diagram. | | <table border="1"> <thead> <tr> <th colspan="2">A & B Port Size</th> </tr> </thead> <tbody> <tr> <td>24F</td> <td>ISO 6162 - DN38 Split Flange SAE Size 24 (1.50") Flange</td> </tr> <tr> <td>40F</td> <td>ISO 6162 - DN64 Split Flange SAE Size 40 (2.50") Flange</td> </tr> </tbody> </table> | A & B Port Size | | 24F | ISO 6162 - DN38 Split Flange SAE Size 24 (1.50") Flange | 40F | ISO 6162 - DN64 Split Flange SAE Size 40 (2.50") Flange | <table border="1"> <thead> <tr> <th colspan="2">Flange Rating</th> </tr> </thead> <tbody> <tr> <td colspan="2">Aluminum or Ductile</td> </tr> <tr> <td>61</td> <td>ISO 6162 - 2.5 to 35 MPa SAE code 61</td> </tr> <tr> <td colspan="2">Ductile only</td> </tr> <tr> <td>62</td> <td>ISO 6162 - 40 MPa series SAE code 62</td> </tr> </tbody> </table> | Flange Rating | | Aluminum or Ductile | | 61 | ISO 6162 - 2.5 to 35 MPa SAE code 61 | Ductile only | | 62 | ISO 6162 - 40 MPa series SAE code 62 | <table border="1"> <thead> <tr> <th colspan="2">Thread Type</th> </tr> </thead> <tbody> <tr> <td>Omit</td> <td>Inch threads / ports</td> </tr> <tr> <td>M</td> <td>Metric threads / ports</td> </tr> </tbody> </table> | Thread Type | | Omit | Inch threads / ports | M | Metric threads / ports |
| Material | | | | | | | | | | | | | | | | | | | | | | | | | | | | | | | | | | | | | | | | | | | | | | | |
| A | Aluminum - 6061-T6 3000† psi • 20.7 MPa | | | | | | | | | | | | | | | | | | | | | | | | | | | | | | | | | | | | | | | | | | | | | | |
| D | Ductile Iron - D4512 5000† psi • 34.5 MPa | | | | | | | | | | | | | | | | | | | | | | | | | | | | | | | | | | | | | | | | | | | | | | |
| † Working pressure should be considered in accordance with ISO 4413 to determine appropriate material type. | | | | | | | | | | | | | | | | | | | | | | | | | | | | | | | | | | | | | | | | | | | | | | | |
| Valve Cavity | | | | | | | | | | | | | | | | | | | | | | | | | | | | | | | | | | | | | | | | | | | | | | | |
| 32 | DIN 24342 - 32mm ISO 7368-09-05 (Standard currently under revision) NFFA T3.5.45-BC-09-2-A | | | | | | | | | | | | | | | | | | | | | | | | | | | | | | | | | | | | | | | | | | | | | | |
| Pilot Circuit | | | | | | | | | | | | | | | | | | | | | | | | | | | | | | | | | | | | | | | | | | | | | | | |
| XA | X common to A Y common to B | | | | | | | | | | | | | | | | | | | | | | | | | | | | | | | | | | | | | | | | | | | | | | |
| XB | X common to B Z1 common to A | | | | | | | | | | | | | | | | | | | | | | | | | | | | | | | | | | | | | | | | | | | | | | |
| These connections are furnished plugged (external pilot ports). Remove plugs for internal pilot ports. See circuit diagram. | | | | | | | | | | | | | | | | | | | | | | | | | | | | | | | | | | | | | | | | | | | | | | | |
| A & B Port Size | | | | | | | | | | | | | | | | | | | | | | | | | | | | | | | | | | | | | | | | | | | | | | | |
| 24F | ISO 6162 - DN38 Split Flange SAE Size 24 (1.50") Flange | | | | | | | | | | | | | | | | | | | | | | | | | | | | | | | | | | | | | | | | | | | | | | |
| 40F | ISO 6162 - DN64 Split Flange SAE Size 40 (2.50") Flange | | | | | | | | | | | | | | | | | | | | | | | | | | | | | | | | | | | | | | | | | | | | | | |
| Flange Rating | | | | | | | | | | | | | | | | | | | | | | | | | | | | | | | | | | | | | | | | | | | | | | | |
| Aluminum or Ductile | | | | | | | | | | | | | | | | | | | | | | | | | | | | | | | | | | | | | | | | | | | | | | | |
| 61 | ISO 6162 - 2.5 to 35 MPa SAE code 61 | | | | | | | | | | | | | | | | | | | | | | | | | | | | | | | | | | | | | | | | | | | | | | |
| Ductile only | | | | | | | | | | | | | | | | | | | | | | | | | | | | | | | | | | | | | | | | | | | | | | | |
| 62 | ISO 6162 - 40 MPa series SAE code 62 | | | | | | | | | | | | | | | | | | | | | | | | | | | | | | | | | | | | | | | | | | | | | | |
| Thread Type | | | | | | | | | | | | | | | | | | | | | | | | | | | | | | | | | | | | | | | | | | | | | | | |
| Omit | Inch threads / ports | | | | | | | | | | | | | | | | | | | | | | | | | | | | | | | | | | | | | | | | | | | | | | |
| M | Metric threads / ports | | | | | | | | | | | | | | | | | | | | | | | | | | | | | | | | | | | | | | | | | | | | | | |

40mm Body • XA Circuit

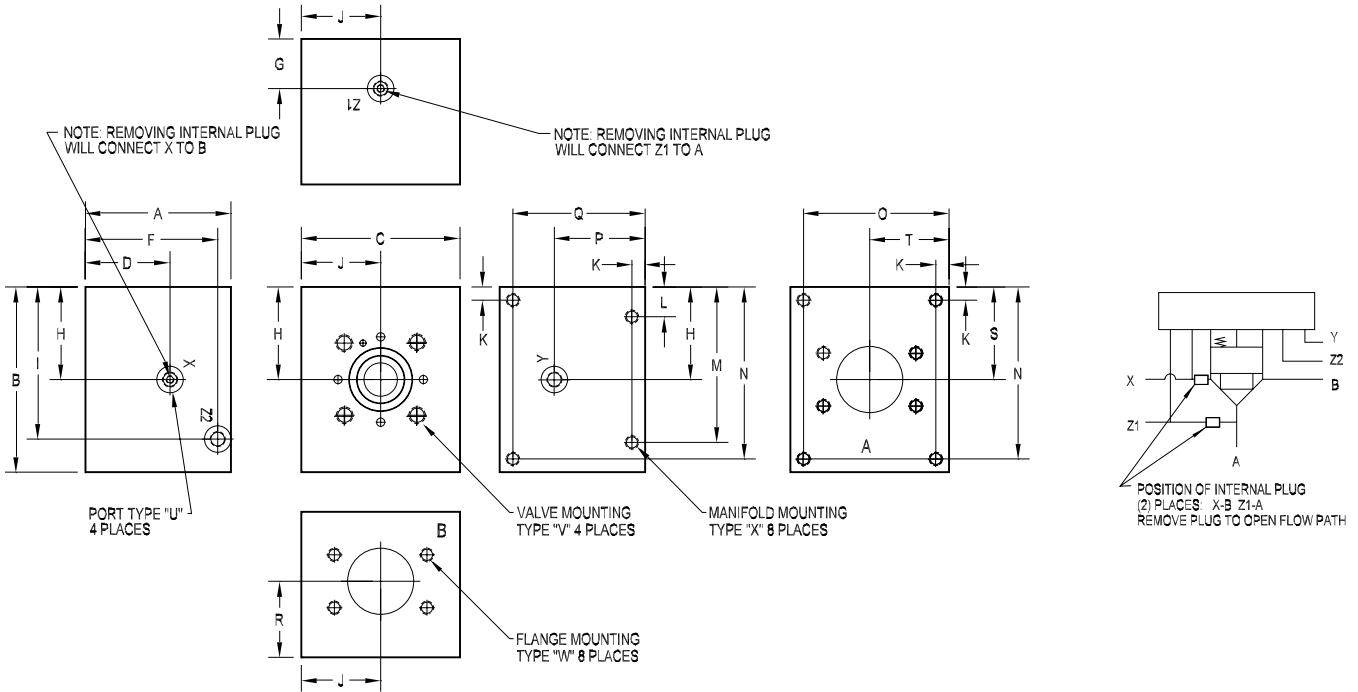


Specifications, descriptions, and dimensional data are subject to correction or change without notice or incurring obligation. Download latest catalog page revisions at www.damanifolds.com.

| PART NO. | A | B | C | D | E | F | G | H | I | J | K | L | M | N | O | P |
|-------------|---------|---------|---------|---------|---------|---------|--------|---------|---------|---------|--------|--------|---------|---------|---------|---------|
| *40XA32F61 | 6.00 | 7.00 | 6.00 | 1.25 | 3.50 | 5.50 | 1.28 | 3.25 | 6.00 | 3.00 | 0.50 | 1.13 | 5.88 | 6.50 | 5.50 | 3.46 |
| *40XA32F61M | [152.4] | [177.8] | [152.4] | [31.8] | [88.9] | [139.7] | [32.5] | [82.6] | [152.4] | [76.2] | [12.7] | [28.6] | [149.2] | [165.1] | [139.7] | [87.9] |
| *40XB32F61 | 6.00 | 7.00 | 6.00 | 3.46 | -- | 5.50 | 1.25 | 3.25 | 6.00 | 3.00 | 0.50 | 1.13 | 5.88 | 6.50 | 5.50 | 3.46 |
| *40XB32F61M | [152.4] | [177.8] | [152.4] | [87.9] | -- | [139.7] | [31.8] | [82.6] | [152.4] | [76.2] | [12.7] | [28.6] | [149.2] | [165.1] | [139.7] | [87.9] |
| D40XA32F62 | 6.00 | 7.00 | 6.00 | 1.25 | 3.50 | 5.50 | 1.16 | 3.13 | 5.88 | 3.00 | 0.50 | 1.13 | 5.88 | 6.50 | 5.50 | 3.46 |
| D40XA32F62M | [152.4] | [177.8] | [152.4] | [31.8] | [88.9] | [139.7] | [29.4] | [79.8] | [149.2] | [76.2] | [12.7] | [28.6] | [149.2] | [165.1] | [139.7] | [87.9] |
| D40XB32F62 | 6.00 | 7.00 | 6.00 | 3.46 | -- | 5.50 | 1.25 | 3.13 | 5.88 | 3.00 | 0.50 | 1.13 | 5.88 | 6.50 | 5.50 | 3.46 |
| D40XB32F62M | [152.4] | [177.8] | [152.4] | [87.9] | -- | [139.7] | [31.8] | [79.8] | [149.2] | [76.2] | [12.7] | [28.6] | [149.2] | [165.1] | [139.7] | [87.9] |
| *40XA48F61 | 6.00 | 7.50 | 6.00 | 1.25 | 3.50 | 5.50 | 1.78 | 3.75 | 6.50 | 3.00 | 0.50 | 1.13 | 6.38 | 7.00 | 5.50 | 3.46 |
| *40XA48F61M | [152.4] | [190.5] | [152.4] | [31.8] | [88.9] | [139.7] | [45.2] | [95.3] | [165.1] | [76.2] | [12.7] | [28.6] | [161.9] | [177.8] | [139.7] | [87.9] |
| *40XB48F61 | 6.00 | 7.50 | 6.00 | 3.46 | -- | 5.50 | 1.25 | 3.75 | 6.50 | 3.00 | 0.50 | 1.13 | 6.38 | 7.00 | 5.50 | 3.46 |
| *40XB48F61M | [152.4] | [190.5] | [152.4] | [87.9] | -- | [139.7] | [31.8] | [95.3] | [165.1] | [76.2] | [12.7] | [28.6] | [161.9] | [177.8] | [139.7] | [87.9] |
| D40XA48F62 | 7.50 | 9.50 | 9.00 | 2.75 | 5.00 | 7.00 | 2.78 | 4.75 | 7.50 | 4.50 | 0.75 | 1.63 | 7.88 | 8.75 | 8.25 | 4.96 |
| D40XA48F62M | [190.5] | [241.3] | [228.6] | [69.9] | [127.0] | [177.8] | [70.6] | [120.7] | [190.5] | [114.3] | [19.1] | [41.3] | [200.0] | [222.3] | [209.6] | [126.0] |
| D40XB48F62 | 7.50 | 9.50 | 9.00 | 4.96 | -- | 7.00 | 2.75 | 4.75 | 7.50 | 4.50 | 0.75 | 1.63 | 7.88 | 8.75 | 8.25 | 4.96 |
| D40XB48F62M | [190.5] | [241.3] | [228.6] | [126.0] | -- | [177.8] | [69.9] | [120.7] | [190.5] | [114.3] | [19.1] | [41.3] | [200.0] | [222.3] | [209.6] | [126.0] |

| PART NO. | Q | R | S | T | U pilot port size | V valve mounting | W flange mounting | X manifold mounting |
|-------------|---------|--------|---------|---------|-------------------|--------------------|--------------------|---------------------|
| *40XA32F61 | 5.50 | 3.46 | 3.25 | 3.00 | SAE #6 | 0.75 UNC x 1.62 DP | 0.50 UNC x 1.19 DP | 0.50 UNC x 1.00 DP |
| *40XA32F61M | [139.7] | [87.9] | [82.6] | [76.2] | ISO 6149 M14 | M20 ISO 6H x 41 DP | M12 ISO 6H x 30 DP | M12 ISO 6H x 25 DP |
| *40XB32F61 | 5.50 | 3.46 | 3.25 | 3.00 | SAE #6 | 0.75 UNC x 1.62 DP | 0.50 UNC x 1.19 DP | 0.50 UNC x 1.00 DP |
| *40XB32F61M | [139.7] | [87.9] | [82.6] | [76.2] | ISO 6149 M14 | M20 ISO 6H x 41 DP | M12 ISO 6H x 30 DP | M12 ISO 6H x 25 DP |
| D40XA32F62 | 5.50 | 3.46 | 3.13 | 3.00 | SAE #6 | 0.75 UNC x 1.62 DP | 0.75 UNC x 1.50 DP | 0.50 UNC x 1.00 DP |
| D40XA32F62M | [139.7] | [87.9] | [79.4] | [76.2] | ISO 6149 M14 | M20 ISO 6H x 41 DP | M20 ISO 6H x 38 DP | M12 ISO 6H x 25 DP |
| D40XB32F62 | 5.50 | 3.46 | 3.13 | 3.00 | SAE #6 | 0.75 UNC x 1.62 DP | 0.75 UNC x 1.50 DP | 0.50 UNC x 1.00 DP |
| D40XB32F62M | [139.7] | [87.9] | [79.4] | [76.2] | ISO 6149 M14 | M20 ISO 6H x 41 DP | M20 ISO 6H x 38 DP | M12 ISO 6H x 25 DP |
| *40XA48F61 | 5.50 | 3.00 | 3.75 | 3.00 | SAE #6 | 0.75 UNC x 1.62 DP | 0.63 UNC x 1.44 DP | 0.50 UNC x 1.00 DP |
| *40XA48F61M | [139.7] | [76.2] | [95.3] | [76.2] | ISO 6149 M14 | M20 ISO 6H x 41 DP | M16 ISO 6H x 36 DP | M12 ISO 6H x 25 DP |
| *40XB48F61 | 5.50 | 3.00 | 3.75 | 3.00 | SAE #6 | 0.75 UNC x 1.62 DP | 0.63 UNC x 1.44 DP | 0.50 UNC x 1.00 DP |
| *40XB48F61M | [139.7] | [76.2] | [95.3] | [76.2] | ISO 6149 M14 | M20 ISO 6H x 41 DP | M16 ISO 6H x 36 DP | M12 ISO 6H x 25 DP |
| D40XA48F62 | 6.75 | 3.75 | 4.75 | 4.50 | SAE #6 | 0.75 UNC x 1.62 DP | 1.13 UNC x 2.50 DP | 0.75 UNC x 1.62 DP |
| D40XA48F62M | [171.5] | [95.3] | [120.7] | [114.3] | ISO 6149 M14 | M20 ISO 6H x 41 DP | M27 ISO 6H x 63 DP | M20 ISO 6H x 41 DP |
| D40XB48F62 | 6.75 | 3.75 | 4.75 | 4.50 | SAE #6 | 0.75 UNC x 1.62 DP | 1.13 UNC x 2.50 DP | 0.75 UNC x 1.62 DP |
| D40XB48F62M | [171.5] | [95.3] | [120.7] | [114.3] | ISO 6149 M14 | M20 ISO 6H x 41 DP | M27 ISO 6H x 63 DP | M20 ISO 6H x 41 DP |

40mm Body • XB Circuit

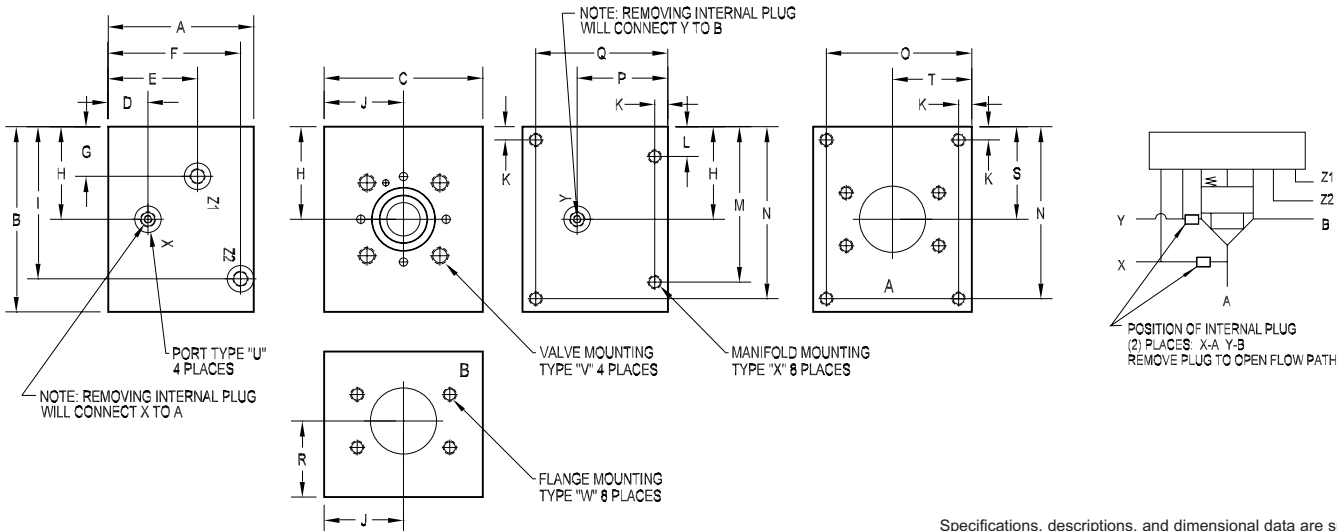


Specifications, descriptions, and dimensional data are subject to correction or change without notice or incurring obligation. Download latest catalog page revisions at www.damanifolds.com.

Ordering Information

| Material | Valve Cavity | Pilot Circuit | A & B Port Size | Flange Rating | Thread Type | | | | | | | | | | | | | | | | | | | | | | | | | | | | | | | | | | | | | | | | | | |
|--|--|---------------|-----------------|--|-------------|--|---|--|--|--------------|--|-----------|--|--|---------------|--|-----------|--------------------------------|-----------|---------------------------------|---|--|---|-----------------|--|------------|--|------------|--|--|---------------|--|---------------------|--|-----------|---|--------------|--|-----------|---|--|-------------|--|-------------|----------------------|----------|------------------------|
| <table border="1"> <thead> <tr> <th colspan="2">Material</th> </tr> </thead> <tbody> <tr> <td>A</td> <td>Aluminum - 6061-T6 3000† psi • 20.7 MPa</td> </tr> <tr> <td>D</td> <td>Ductile Iron - D4512 5000† psi • 34.5 MPa</td> </tr> <tr> <td colspan="2">† Working pressure should be considered in accordance with ISO 4413 to determine appropriate material type.</td> </tr> </tbody> </table> | Material | | A | Aluminum - 6061-T6 3000† psi • 20.7 MPa | D | Ductile Iron - D4512 5000† psi • 34.5 MPa | † Working pressure should be considered in accordance with ISO 4413 to determine appropriate material type. | | <table border="1"> <thead> <tr> <th colspan="2">Valve Cavity</th> </tr> </thead> <tbody> <tr> <td>40</td> <td>DIN 24342 - 40mm ISO 7368-10-07 (Standard currently under revision) NFFA T3.5.45-BD-10-2-A</td> </tr> </tbody> </table> | Valve Cavity | | 40 | DIN 24342 - 40mm ISO 7368-10-07 (Standard currently under revision) NFFA T3.5.45-BD-10-2-A | <table border="1"> <thead> <tr> <th colspan="2">Pilot Circuit</th> </tr> </thead> <tbody> <tr> <td>XA</td> <td>X common to A Y common to B</td> </tr> <tr> <td>XB</td> <td>X common to B Z1 common to A</td> </tr> <tr> <td colspan="2">These connections are furnished plugged (external pilot ports). Remove plugs for internal pilot ports. See circuit diagram.</td> </tr> </tbody> </table> | Pilot Circuit | | XA | X common to A Y common to B | XB | X common to B Z1 common to A | These connections are furnished plugged (external pilot ports). Remove plugs for internal pilot ports. See circuit diagram. | | <table border="1"> <thead> <tr> <th colspan="2">A & B Port Size</th> </tr> </thead> <tbody> <tr> <td>32F</td> <td>ISO 6162 - DN51 Split Flange SAE Size 32 (2.00") Flange</td> </tr> <tr> <td>48F</td> <td>ISO 6162 - DN76 Split Flange SAE Size 48 (3.00") Flange</td> </tr> </tbody> </table> | A & B Port Size | | 32F | ISO 6162 - DN51 Split Flange SAE Size 32 (2.00") Flange | 48F | ISO 6162 - DN76 Split Flange SAE Size 48 (3.00") Flange | <table border="1"> <thead> <tr> <th colspan="2">Flange Rating</th> </tr> </thead> <tbody> <tr> <td colspan="2">Aluminum or Ductile</td> </tr> <tr> <td>61</td> <td>ISO 6162 - 2.5 to 35 MPa SAE code 61</td> </tr> <tr> <td colspan="2">Ductile only</td> </tr> <tr> <td>62</td> <td>ISO 6162 - 40 MPa series SAE code 62</td> </tr> </tbody> </table> | Flange Rating | | Aluminum or Ductile | | 61 | ISO 6162 - 2.5 to 35 MPa SAE code 61 | Ductile only | | 62 | ISO 6162 - 40 MPa series SAE code 62 | <table border="1"> <thead> <tr> <th colspan="2">Thread Type</th> </tr> </thead> <tbody> <tr> <td>Omit</td> <td>Inch threads / ports</td> </tr> <tr> <td>M</td> <td>Metric threads / ports</td> </tr> </tbody> </table> | Thread Type | | Omit | Inch threads / ports | M | Metric threads / ports |
| Material | | | | | | | | | | | | | | | | | | | | | | | | | | | | | | | | | | | | | | | | | | | | | | | |
| A | Aluminum - 6061-T6 3000† psi • 20.7 MPa | | | | | | | | | | | | | | | | | | | | | | | | | | | | | | | | | | | | | | | | | | | | | | |
| D | Ductile Iron - D4512 5000† psi • 34.5 MPa | | | | | | | | | | | | | | | | | | | | | | | | | | | | | | | | | | | | | | | | | | | | | | |
| † Working pressure should be considered in accordance with ISO 4413 to determine appropriate material type. | | | | | | | | | | | | | | | | | | | | | | | | | | | | | | | | | | | | | | | | | | | | | | | |
| Valve Cavity | | | | | | | | | | | | | | | | | | | | | | | | | | | | | | | | | | | | | | | | | | | | | | | |
| 40 | DIN 24342 - 40mm ISO 7368-10-07 (Standard currently under revision) NFFA T3.5.45-BD-10-2-A | | | | | | | | | | | | | | | | | | | | | | | | | | | | | | | | | | | | | | | | | | | | | | |
| Pilot Circuit | | | | | | | | | | | | | | | | | | | | | | | | | | | | | | | | | | | | | | | | | | | | | | | |
| XA | X common to A Y common to B | | | | | | | | | | | | | | | | | | | | | | | | | | | | | | | | | | | | | | | | | | | | | | |
| XB | X common to B Z1 common to A | | | | | | | | | | | | | | | | | | | | | | | | | | | | | | | | | | | | | | | | | | | | | | |
| These connections are furnished plugged (external pilot ports). Remove plugs for internal pilot ports. See circuit diagram. | | | | | | | | | | | | | | | | | | | | | | | | | | | | | | | | | | | | | | | | | | | | | | | |
| A & B Port Size | | | | | | | | | | | | | | | | | | | | | | | | | | | | | | | | | | | | | | | | | | | | | | | |
| 32F | ISO 6162 - DN51 Split Flange SAE Size 32 (2.00") Flange | | | | | | | | | | | | | | | | | | | | | | | | | | | | | | | | | | | | | | | | | | | | | | |
| 48F | ISO 6162 - DN76 Split Flange SAE Size 48 (3.00") Flange | | | | | | | | | | | | | | | | | | | | | | | | | | | | | | | | | | | | | | | | | | | | | | |
| Flange Rating | | | | | | | | | | | | | | | | | | | | | | | | | | | | | | | | | | | | | | | | | | | | | | | |
| Aluminum or Ductile | | | | | | | | | | | | | | | | | | | | | | | | | | | | | | | | | | | | | | | | | | | | | | | |
| 61 | ISO 6162 - 2.5 to 35 MPa SAE code 61 | | | | | | | | | | | | | | | | | | | | | | | | | | | | | | | | | | | | | | | | | | | | | | |
| Ductile only | | | | | | | | | | | | | | | | | | | | | | | | | | | | | | | | | | | | | | | | | | | | | | | |
| 62 | ISO 6162 - 40 MPa series SAE code 62 | | | | | | | | | | | | | | | | | | | | | | | | | | | | | | | | | | | | | | | | | | | | | | |
| Thread Type | | | | | | | | | | | | | | | | | | | | | | | | | | | | | | | | | | | | | | | | | | | | | | | |
| Omit | Inch threads / ports | | | | | | | | | | | | | | | | | | | | | | | | | | | | | | | | | | | | | | | | | | | | | | |
| M | Metric threads / ports | | | | | | | | | | | | | | | | | | | | | | | | | | | | | | | | | | | | | | | | | | | | | | |

50mm Body • XA Circuit

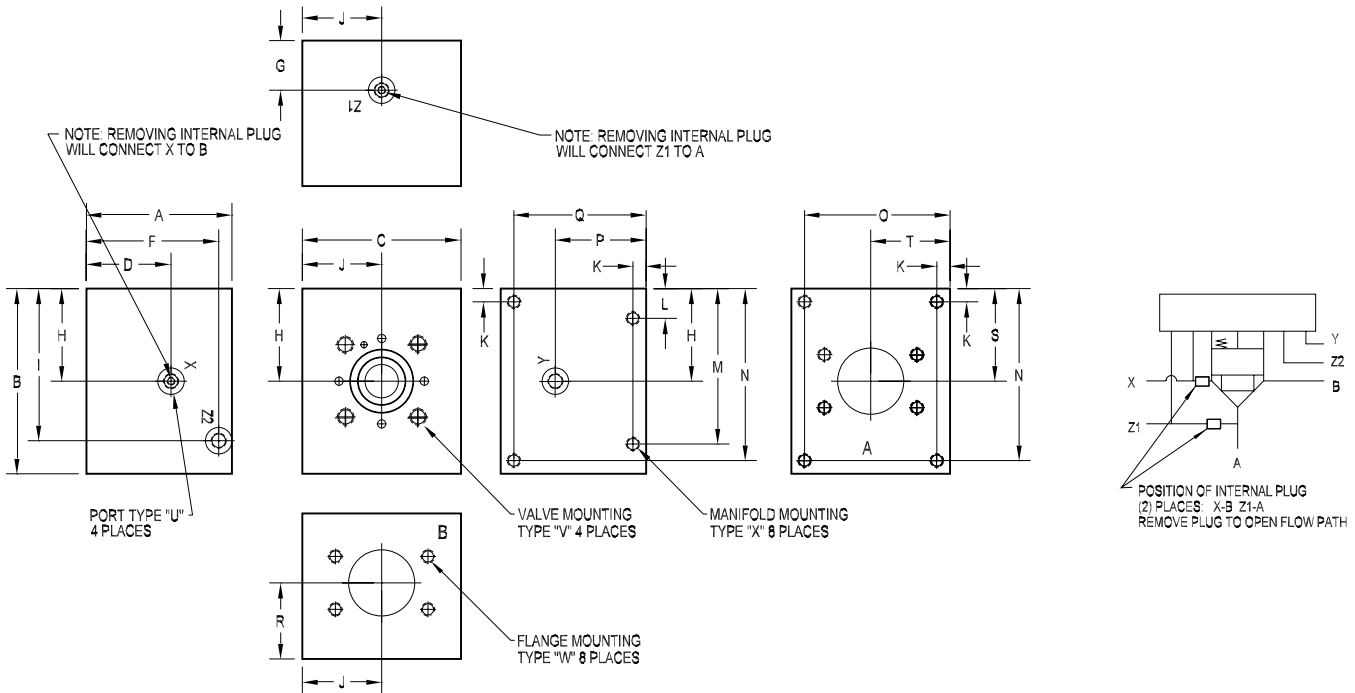


Specifications, descriptions, and dimensional data are subject to correction or change without notice or incurring obligation. Download latest catalog page revisions at www.damanifolds.com.

| PART NO. | A | B | C | D | E | F | G | H | I | J | K | L | M | N | O | P |
|-------------|---------|---------|---------|---------|---------|---------|--------|--------|---------|--------|--------|--------|---------|---------|---------|---------|
| *50XA40F61* | 7.00 | 7.00 | 6.00 | 1.50 | 4.50 | 6.50 | 0.75 | 3.25 | 6.13 | 3.00 | 0.50 | 1.13 | 5.88 | 6.50 | 5.50 | 4.15 |
| *50XA40F61M | [177.8] | [177.8] | [152.4] | [38.1] | [114.3] | [165.1] | [19.1] | [82.6] | [155.6] | [76.2] | [12.7] | [28.6] | [149.2] | [165.1] | [139.7] | [105.3] |
| *50XB40F61* | 7.00 | 7.00 | 6.00 | 4.15 | -- | 6.50 | 1.50 | 3.25 | 6.13 | 3.00 | 0.50 | 1.13 | 5.88 | 6.50 | 5.50 | 4.15 |
| *50XB40F61M | [177.8] | [177.8] | [152.4] | [105.3] | -- | [165.1] | [38.1] | [82.6] | [155.6] | [76.2] | [12.7] | [28.6] | [149.2] | [165.1] | [139.7] | [105.3] |
| D50XA40F62* | 7.00 | 8.00 | 7.00 | 1.50 | 4.50 | 6.50 | 1.25 | 3.75 | 6.62 | 3.50 | 0.50 | 1.13 | 6.88 | 7.50 | 6.50 | 4.15 |
| D50XA40F62M | [177.8] | [203.2] | [177.8] | [38.1] | [114.3] | [165.1] | [31.8] | [95.3] | [168.3] | [88.9] | [12.7] | [28.6] | [174.6] | [190.5] | [165.1] | [105.3] |
| D50XB40F62* | 7.00 | 8.00 | 7.00 | 4.15 | -- | 6.50 | 1.50 | 3.75 | 6.62 | 3.50 | 0.50 | 1.13 | 6.88 | 7.50 | 6.50 | 4.15 |
| D50XB40F62M | [177.8] | [203.2] | [177.8] | [105.3] | -- | [165.1] | [38.1] | [95.3] | [168.3] | [88.9] | [12.7] | [28.6] | [174.6] | [190.5] | [165.1] | [105.3] |
| *50XA64F61* | 7.00 | 7.25 | 6.50 | 1.50 | 4.15 | 6.50 | 1.19 | 3.50 | 6.38 | 3.25 | 0.50 | 1.13 | 6.13 | 6.75 | 6.00 | 4.15 |
| *50XA64F61M | [177.8] | [184.2] | [165.1] | [38.1] | [105.4] | [165.1] | [30.2] | [88.9] | [161.9] | [82.6] | [12.7] | [28.6] | [155.6] | [171.5] | [152.4] | [105.3] |
| *50XB64F61* | 7.00 | 7.25 | 6.50 | 4.15 | -- | 6.50 | 1.50 | 3.50 | 6.38 | 3.25 | 0.50 | 1.13 | 6.13 | 6.75 | 6.00 | 4.15 |
| *50XB64F61M | [177.8] | [184.2] | [165.1] | [105.3] | -- | [165.1] | [38.1] | [88.9] | [161.9] | [82.6] | [12.7] | [28.6] | [155.6] | [171.5] | [152.4] | [105.3] |

| PART NO. | Q | R | S | T | U pilot port size | V valve mounting | W flange mounting | X manifold mounting |
|-------------|---------|---------|--------|--------|-------------------|--------------------|--------------------|---------------------|
| *50XA40F61V | 6.50 | 4.15 | 3.25 | 3.00 | SAE #6 | 0.75 UNC x 1.62 DP | 0.50 UNC x 1.19 DP | 0.50 UNC x 1.00 DP |
| *50XA40F61R | [165.1] | [105.3] | [82.6] | [76.2] | ISO 6149 M14 | 0.88 UNC x 1.62 DP | M12 ISO 6H x 30 DP | M12 ISO 6H x 25 DP |
| *50XA40F61M | | | | | | M20 ISO 6H x 41 DP | | |
| *50XB40F61V | 6.50 | 4.15 | 3.25 | 3.00 | SAE #6 | 0.75 UNC x 1.62 DP | 0.50 UNC x 1.19 DP | 0.50 UNC x 1.00 DP |
| *50XB40F61R | [165.1] | [105.3] | [82.6] | [76.2] | ISO 6149 M14 | 0.88 UNC x 1.62 DP | M12 ISO 6H x 30 DP | M12 ISO 6H x 25 DP |
| *50XB40F61M | | | | | | M20 ISO 6H x 41 DP | | |
| D50XA40F62V | 6.50 | 4.00 | 3.75 | 3.50 | SAE #6 | 0.75 UNC x 1.62 DP | 0.88 UNC x 1.75 DP | 0.50 UNC x 1.00 DP |
| D50XA40F62R | [165.1] | [101.6] | [95.3] | [88.9] | ISO 6149 M14 | 0.88 UNC x 1.62 DP | M22 ISO 6H x 45 DP | M12 ISO 6H x 25 DP |
| D50XA40F62M | | | | | | M20 ISO 6H x 41 DP | | |
| D50XB40F62V | 6.50 | 4.00 | 3.75 | 3.50 | SAE #6 | 0.75 UNC x 1.62 DP | 0.88 UNC x 1.75 DP | 0.50 UNC x 1.00 DP |
| D50XB40F62R | [165.1] | [101.6] | [95.3] | [88.9] | ISO 6149 M14 | 0.88 UNC x 1.62 DP | M22 ISO 6H x 45 DP | M12 ISO 6H x 25 DP |
| D50XB40F62M | | | | | | M20 ISO 6H x 41 DP | | |
| *50XA64F61V | 6.50 | 3.88 | 3.50 | 3.25 | SAE #6 | 0.75 UNC x 1.62 DP | 0.63 UNC x 1.44 DP | 0.50 UNC x 1.19 DP |
| *50XA64F61R | [165.1] | [98.4] | [88.9] | [82.6] | ISO 6149 M14 | 0.88 UNC x 1.62 DP | M16 ISO 6H x 36 DP | M12 ISO 6H x 30 DP |
| *50XA64F61M | | | | | | M20 ISO 6H x 41 DP | | |
| *50XB64F61V | 6.50 | 3.88 | 3.50 | 3.25 | SAE #6 | 0.75 UNC x 1.62 DP | 0.63 UNC x 1.44 DP | 0.50 UNC x 1.19 DP |
| *50XB64F61R | [165.1] | [98.4] | [88.9] | [82.6] | ISO 6149 M14 | 0.88 UNC x 1.62 DP | M16 ISO 6H x 36 DP | M12 ISO 6H x 30 DP |
| *50XB64F61M | | | | | | M20 ISO 6H x 41 DP | | |

50mm Body • XB Circuit

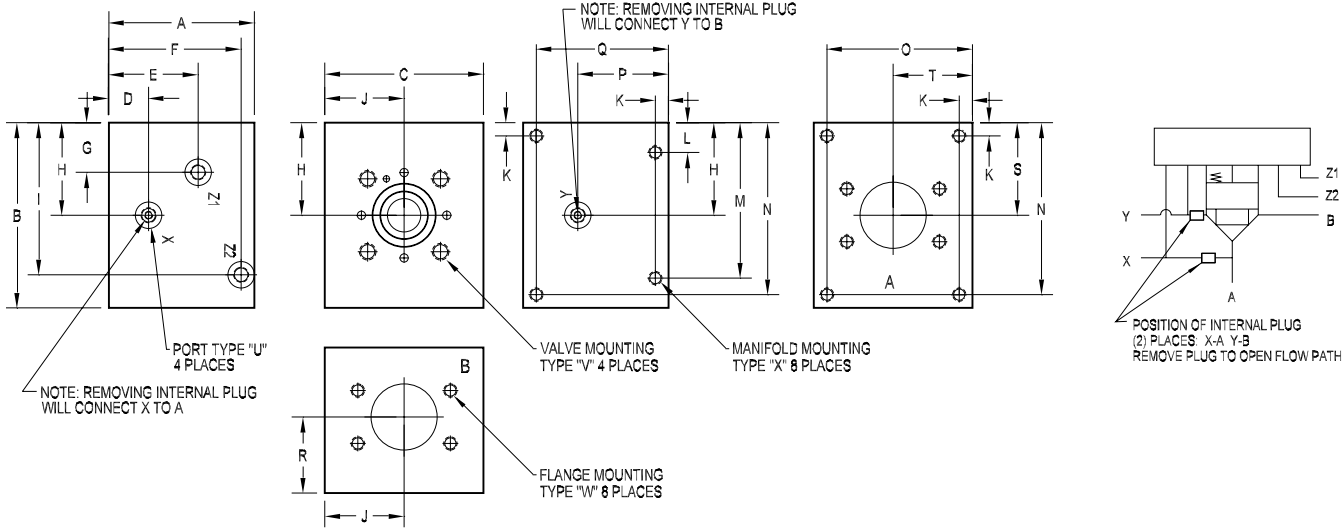


Specifications, descriptions, and dimensional data are subject to correction or change without notice or incurring obligation. Download latest catalog page revisions at www.damanifolds.com.

Ordering Information

| Material | Valve Cavity | Pilot Circuit | A & B Port Size | Flange Rating | Thread Type | | | | | | | | | | | | | | | | | | | | | | | | | | | | | | | | | | | | | | | | | | | | |
|--|--|---------------|-----------------|--|-------------|--|---|--|--|--------------|--|-----------|--|--|---------------|--|-----------|--------------------------------|-----------|---------------------------------|---|--|--|-----------------|--|------------|--|------------|---|---|---------------|--|---------------------|--|-----------|---|-----------------------------|--|-----------|---|---|-------------|--|----------|--|----------|--|----------|--|
| <table border="1"> <thead> <tr> <th colspan="2">Material</th> </tr> </thead> <tbody> <tr> <td>A</td> <td>Aluminum - 6061-T6 3000† psi • 20.7 MPa</td> </tr> <tr> <td>D</td> <td>Ductile Iron - D4512 5000† psi • 34.5 MPa</td> </tr> <tr> <td colspan="2">† Working pressure should be considered in accordance with ISO 4413 to determine appropriate material type.</td> </tr> </tbody> </table> | Material | | A | Aluminum - 6061-T6 3000† psi • 20.7 MPa | D | Ductile Iron - D4512 5000† psi • 34.5 MPa | † Working pressure should be considered in accordance with ISO 4413 to determine appropriate material type. | | <table border="1"> <thead> <tr> <th colspan="2">Valve Cavity</th> </tr> </thead> <tbody> <tr> <td>50</td> <td>DIN 24342 - 50mm ISO 7368-11-09 (Standard currently under revision) NFFA T3.5.45-BE-11-2-A</td> </tr> </tbody> </table> | Valve Cavity | | 50 | DIN 24342 - 50mm ISO 7368-11-09 (Standard currently under revision) NFFA T3.5.45-BE-11-2-A | <table border="1"> <thead> <tr> <th colspan="2">Pilot Circuit</th> </tr> </thead> <tbody> <tr> <td>XA</td> <td>X common to A Y common to B</td> </tr> <tr> <td>XB</td> <td>X common to B Z1 common to A</td> </tr> <tr> <td colspan="2">These connections are furnished plugged (external pilot ports). Remove plugs for internal pilot ports. See circuit diagram.</td> </tr> </tbody> </table> | Pilot Circuit | | XA | X common to A Y common to B | XB | X common to B Z1 common to A | These connections are furnished plugged (external pilot ports). Remove plugs for internal pilot ports. See circuit diagram. | | <table border="1"> <thead> <tr> <th colspan="2">A & B Port Size</th> </tr> </thead> <tbody> <tr> <td>40F</td> <td>ISO 6162 - DN64 Split Flange SAE Size 40 (2.50") Flange</td> </tr> <tr> <td>64F</td> <td>ISO 6162 - DN102 Split Flange SAE Size 64 (4.00") Flange</td> </tr> </tbody> </table> | A & B Port Size | | 40F | ISO 6162 - DN64 Split Flange SAE Size 40 (2.50") Flange | 64F | ISO 6162 - DN102 Split Flange SAE Size 64 (4.00") Flange | <table border="1"> <thead> <tr> <th colspan="2">Flange Rating</th> </tr> </thead> <tbody> <tr> <td colspan="2">Aluminum or Ductile</td> </tr> <tr> <td>61</td> <td>ISO 6162 - 2.5 to 35 MPa SAE code 61</td> </tr> <tr> <td colspan="2">Port size 40F, Ductile only</td> </tr> <tr> <td>62</td> <td>ISO 6162 - 40 MPa series SAE code 62</td> </tr> </tbody> </table> | Flange Rating | | Aluminum or Ductile | | 61 | ISO 6162 - 2.5 to 35 MPa SAE code 61 | Port size 40F, Ductile only | | 62 | ISO 6162 - 40 MPa series SAE code 62 | <table border="1"> <thead> <tr> <th colspan="2">Thread Type</th> </tr> </thead> <tbody> <tr> <td>V</td> <td>Inch threads / ports Valve mtg. = 0.75-10</td> </tr> <tr> <td>R</td> <td>Inch threads / ports Valve mtg. = 0.875-9</td> </tr> <tr> <td>M</td> <td>Metric threads / ports Valve mtg. = M20-2.5</td> </tr> </tbody> </table> | Thread Type | | V | Inch threads / ports Valve mtg. = 0.75-10 | R | Inch threads / ports Valve mtg. = 0.875-9 | M | Metric threads / ports Valve mtg. = M20-2.5 |
| Material | | | | | | | | | | | | | | | | | | | | | | | | | | | | | | | | | | | | | | | | | | | | | | | | | |
| A | Aluminum - 6061-T6 3000† psi • 20.7 MPa | | | | | | | | | | | | | | | | | | | | | | | | | | | | | | | | | | | | | | | | | | | | | | | | |
| D | Ductile Iron - D4512 5000† psi • 34.5 MPa | | | | | | | | | | | | | | | | | | | | | | | | | | | | | | | | | | | | | | | | | | | | | | | | |
| † Working pressure should be considered in accordance with ISO 4413 to determine appropriate material type. | | | | | | | | | | | | | | | | | | | | | | | | | | | | | | | | | | | | | | | | | | | | | | | | | |
| Valve Cavity | | | | | | | | | | | | | | | | | | | | | | | | | | | | | | | | | | | | | | | | | | | | | | | | | |
| 50 | DIN 24342 - 50mm ISO 7368-11-09 (Standard currently under revision) NFFA T3.5.45-BE-11-2-A | | | | | | | | | | | | | | | | | | | | | | | | | | | | | | | | | | | | | | | | | | | | | | | | |
| Pilot Circuit | | | | | | | | | | | | | | | | | | | | | | | | | | | | | | | | | | | | | | | | | | | | | | | | | |
| XA | X common to A Y common to B | | | | | | | | | | | | | | | | | | | | | | | | | | | | | | | | | | | | | | | | | | | | | | | | |
| XB | X common to B Z1 common to A | | | | | | | | | | | | | | | | | | | | | | | | | | | | | | | | | | | | | | | | | | | | | | | | |
| These connections are furnished plugged (external pilot ports). Remove plugs for internal pilot ports. See circuit diagram. | | | | | | | | | | | | | | | | | | | | | | | | | | | | | | | | | | | | | | | | | | | | | | | | | |
| A & B Port Size | | | | | | | | | | | | | | | | | | | | | | | | | | | | | | | | | | | | | | | | | | | | | | | | | |
| 40F | ISO 6162 - DN64 Split Flange SAE Size 40 (2.50") Flange | | | | | | | | | | | | | | | | | | | | | | | | | | | | | | | | | | | | | | | | | | | | | | | | |
| 64F | ISO 6162 - DN102 Split Flange SAE Size 64 (4.00") Flange | | | | | | | | | | | | | | | | | | | | | | | | | | | | | | | | | | | | | | | | | | | | | | | | |
| Flange Rating | | | | | | | | | | | | | | | | | | | | | | | | | | | | | | | | | | | | | | | | | | | | | | | | | |
| Aluminum or Ductile | | | | | | | | | | | | | | | | | | | | | | | | | | | | | | | | | | | | | | | | | | | | | | | | | |
| 61 | ISO 6162 - 2.5 to 35 MPa SAE code 61 | | | | | | | | | | | | | | | | | | | | | | | | | | | | | | | | | | | | | | | | | | | | | | | | |
| Port size 40F, Ductile only | | | | | | | | | | | | | | | | | | | | | | | | | | | | | | | | | | | | | | | | | | | | | | | | | |
| 62 | ISO 6162 - 40 MPa series SAE code 62 | | | | | | | | | | | | | | | | | | | | | | | | | | | | | | | | | | | | | | | | | | | | | | | | |
| Thread Type | | | | | | | | | | | | | | | | | | | | | | | | | | | | | | | | | | | | | | | | | | | | | | | | | |
| V | Inch threads / ports Valve mtg. = 0.75-10 | | | | | | | | | | | | | | | | | | | | | | | | | | | | | | | | | | | | | | | | | | | | | | | | |
| R | Inch threads / ports Valve mtg. = 0.875-9 | | | | | | | | | | | | | | | | | | | | | | | | | | | | | | | | | | | | | | | | | | | | | | | | |
| M | Metric threads / ports Valve mtg. = M20-2.5 | | | | | | | | | | | | | | | | | | | | | | | | | | | | | | | | | | | | | | | | | | | | | | | | |

63mm Body • XA Circuit

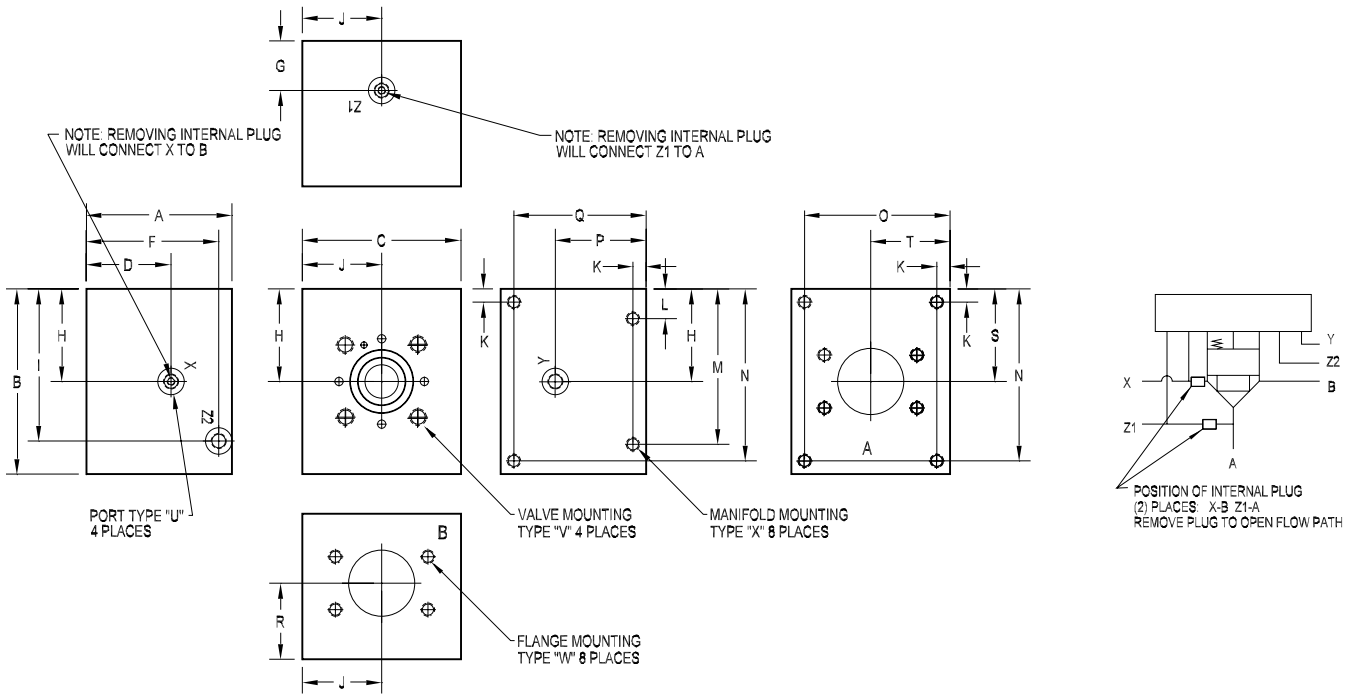


Specifications, descriptions, and dimensional data are subject to correction or change without notice or incurring obligation. Download latest catalog page revisions at www.damanifolds.com.

| PART NO. | A | B | C | D | E | F | G | H | I | J | K | L | M | N | O | P |
|-------------|---------|---------|---------|---------|---------|---------|--------|---------|---------|---------|--------|--------|---------|---------|---------|---------|
| *63XA48F61 | 8.00 | 9.00 | 8.00 | 1.00 | 4.24 | 7.25 | 1.29 | 4.25 | 8.00 | 4.00 | 0.63 | 1.38 | 7.63 | 8.38 | 7.38 | 4.24 |
| *63XA48F61M | [203.2] | [228.6] | [203.2] | [25.4] | [107.7] | [184.2] | [32.8] | [108.0] | [203.2] | [101.6] | [15.9] | [34.9] | [193.7] | [212.7] | [187.3] | [107.7] |
| *63XB48F61 | 8.00 | 9.00 | 8.00 | 4.24 | -- | 7.25 | 1.25 | 4.25 | 8.00 | 4.00 | 0.63 | 1.38 | 7.63 | 8.38 | 7.38 | 4.24 |
| *63XB48F61M | [203.2] | [228.6] | [203.2] | [107.7] | -- | [184.2] | [31.8] | [108.0] | [203.2] | [101.6] | [15.9] | [34.9] | [193.7] | [212.7] | [187.3] | [107.7] |
| D63XA48F62 | 9.00 | 10.50 | 9.00 | 2.25 | 5.00 | 8.25 | 1.77 | 4.75 | 8.50 | 4.50 | 0.63 | 1.38 | 9.13 | 9.88 | 8.38 | 5.24 |
| D63XA48F62M | [228.6] | [266.7] | [228.6] | [57.2] | [127.0] | [209.6] | [45.0] | [120.7] | [215.9] | [114.3] | [15.9] | [34.9] | [231.8] | [250.8] | [212.7] | [133.1] |
| D63XB48F62 | 9.00 | 10.50 | 9.00 | 5.24 | -- | 8.25 | 2.25 | 4.75 | 8.50 | 4.50 | 0.63 | 1.38 | 9.13 | 9.88 | 8.38 | 5.24 |
| D63XB48F62M | [228.6] | [266.7] | [228.6] | [133.1] | -- | [209.6] | [57.2] | [120.7] | [215.9] | [114.3] | [15.9] | [34.9] | [231.8] | [250.8] | [212.7] | [133.1] |
| *63XA80F61 | 8.00 | 9.00 | 8.00 | 1.38 | 4.24 | 7.25 | 1.29 | 4.25 | 8.00 | 4.00 | 0.63 | 1.50 | 7.50 | 8.38 | 7.38 | 4.24 |
| *63XA80F61M | [203.2] | [228.6] | [203.2] | [34.9] | [107.7] | [184.2] | [32.8] | [108.0] | [203.2] | [101.6] | [15.9] | [38.1] | [190.5] | [212.7] | [187.3] | [107.7] |
| *63XB80F61 | 8.00 | 9.00 | 8.00 | 4.24 | -- | 7.25 | 1.38 | 4.25 | 8.00 | 4.00 | 0.63 | 1.50 | 7.50 | 8.38 | 7.38 | 4.24 |
| *63XB80F61M | [203.2] | [228.6] | [203.2] | [107.7] | -- | [184.2] | [34.9] | [108.0] | [203.2] | [101.6] | [15.9] | [38.1] | [190.5] | [212.7] | [187.3] | [107.7] |

| PART NO. | Q | R | S | T | U pilot port size | V valve mounting | W flange mounting | X manifold mounting |
|-------------|---------|---------|---------|---------|-------------------|--------------------|--------------------|---------------------|
| *63XA48F61 | 7.38 | 4.24 | 4.25 | 4.00 | SAE #08 | 1.25 UNC x 2.75 DP | 0.63 UNC x 1.31 DP | 0.63 UNC x 1.25 DP |
| *63XA48F61M | [187.3] | [107.7] | [108.0] | [101.6] | ISO 6149 M18 | M30 ISO 6H x 70 DP | M16 ISO 6H x 33 DP | M16 ISO 6H x 32 DP |
| *63XB48F61 | 7.38 | 4.24 | 4.25 | 4.00 | SAE #08 | 1.25 UNC x 2.75 DP | 0.63 UNC x 1.31 DP | 0.63 UNC x 1.25 DP |
| *63XB48F61M | [187.3] | [107.7] | [108.0] | [101.6] | ISO 6149 M18 | M30 ISO 6H x 70 DP | M16 ISO 6H x 33 DP | M16 ISO 6H x 32 DP |
| D63XA48F62 | 8.38 | 5.24 | 4.75 | 4.50 | SAE #08 | 1.25 UNC x 2.75 DP | 1.13 UNC x 2.25 DP | 0.63 UNC x 1.25 DP |
| D63XA48F62M | [212.7] | [133.1] | [120.7] | [114.3] | ISO 6149 M18 | M30 ISO 6H x 70 DP | M27 ISO 6H x 57 DP | M16 ISO 6H x 32 DP |
| D63XB48F62 | 8.38 | 5.24 | 4.75 | 4.50 | SAE #08 | 1.25 UNC x 2.75 DP | 1.13 UNC x 2.25 DP | 0.63 UNC x 1.25 DP |
| D63XB48F62M | [212.7] | [133.1] | [120.7] | [114.3] | ISO 6149 M18 | M30 ISO 6H x 70 DP | M27 ISO 6H x 57 DP | M16 ISO 6H x 32 DP |
| *63XA80F61 | 7.38 | 4.24 | 4.25 | 4.00 | SAE #08 | 1.25 UNC x 2.75 DP | 0.63 UNC x 1.44 DP | 0.63 UNC x 1.44 DP |
| *63XA80F61M | [187.3] | [107.7] | [108.0] | [101.6] | ISO 6149 M18 | M30 ISO 6H x 70 DP | M16 ISO 6H x 36 DP | M16 ISO 6H x 36 DP |
| *63XB80F61 | 7.38 | 4.24 | 4.25 | 4.00 | SAE #08 | 1.25 UNC x 2.75 DP | 0.63 UNC x 1.44 DP | 0.63 UNC x 1.44 DP |
| *63XB80F61M | [187.3] | [107.7] | [108.0] | [101.6] | ISO 6149 M18 | M30 ISO 6H x 70 DP | M16 ISO 6H x 36 DP | M16 ISO 6H x 36 DP |


63mm Body • XB Circuit



Specifications, descriptions, and dimensional data are subject to correction or change without notice or incurring obligation. Download latest catalog page revisions at www.damanifolds.com.

Ordering Information

| Material | Valve Cavity | Pilot Circuit | A & B Port Size | Flange Rating | Thread Type | | | | | | | | | | | | | | | | | | | | | | | | | | | | | | | | | | | | | | | | | | |
|--|---|---------------|-----------------|--|-------------|--|---|--|---|--------------|--|-----------|---|--|---------------|--|-----------|--------------------------------|-----------|---------------------------------|---|--|--|-----------------|--|------------|--|------------|---|---|---------------|--|---------------------|--|-----------|---|-----------------------------|--|-----------|---|--|-------------|--|-------------|----------------------|----------|------------------------|
| <table border="1"> <thead> <tr> <th colspan="2">Material</th> </tr> </thead> <tbody> <tr> <td>A</td> <td>Aluminum - 6061-T6 3000† psi • 20.7 MPa</td> </tr> <tr> <td>D</td> <td>Ductile Iron - D4512 5000† psi • 34.5 MPa</td> </tr> <tr> <td colspan="2">† Working pressure should be considered in accordance with ISO 4413 to determine appropriate material type.</td> </tr> </tbody> </table> | Material | | A | Aluminum - 6061-T6 3000† psi • 20.7 MPa | D | Ductile Iron - D4512 5000† psi • 34.5 MPa | † Working pressure should be considered in accordance with ISO 4413 to determine appropriate material type. | | <table border="1"> <thead> <tr> <th colspan="2">Valve Cavity</th> </tr> </thead> <tbody> <tr> <td>63</td> <td>DIN 24342 - 63mm ISO 7368-12-11 (Standard currently under revision) NFFPA T3.5.45-BF-12-2-A</td> </tr> </tbody> </table> | Valve Cavity | | 63 | DIN 24342 - 63mm ISO 7368-12-11 (Standard currently under revision) NFFPA T3.5.45-BF-12-2-A | <table border="1"> <thead> <tr> <th colspan="2">Pilot Circuit</th> </tr> </thead> <tbody> <tr> <td>XA</td> <td>X common to A Y common to B</td> </tr> <tr> <td>XB</td> <td>X common to B Z1 common to A</td> </tr> <tr> <td colspan="2">These connections are furnished plugged (external pilot ports). Remove plugs for internal pilot ports. See circuit diagram.</td> </tr> </tbody> </table> | Pilot Circuit | | XA | X common to A Y common to B | XB | X common to B Z1 common to A | These connections are furnished plugged (external pilot ports). Remove plugs for internal pilot ports. See circuit diagram. | | <table border="1"> <thead> <tr> <th colspan="2">A & B Port Size</th> </tr> </thead> <tbody> <tr> <td>48F</td> <td>ISO 6162 - DN76 Split Flange SAE Size 48 (3.00") Flange</td> </tr> <tr> <td>80F</td> <td>ISO 6162 - DN127 Split Flange SAE Size 80 (5.00") Flange</td> </tr> </tbody> </table> | A & B Port Size | | 48F | ISO 6162 - DN76 Split Flange SAE Size 48 (3.00") Flange | 80F | ISO 6162 - DN127 Split Flange SAE Size 80 (5.00") Flange | <table border="1"> <thead> <tr> <th colspan="2">Flange Rating</th> </tr> </thead> <tbody> <tr> <td colspan="2">Aluminum or Ductile</td> </tr> <tr> <td>61</td> <td>ISO 6162 - 2.5 to 35 MPa SAE code 61</td> </tr> <tr> <td colspan="2">Port size 48F, Ductile only</td> </tr> <tr> <td>62</td> <td>ISO 6162 - 40 MPa series SAE code 62</td> </tr> </tbody> </table> | Flange Rating | | Aluminum or Ductile | | 61 | ISO 6162 - 2.5 to 35 MPa SAE code 61 | Port size 48F, Ductile only | | 62 | ISO 6162 - 40 MPa series SAE code 62 | <table border="1"> <thead> <tr> <th colspan="2">Thread Type</th> </tr> </thead> <tbody> <tr> <td>Omit</td> <td>Inch threads / ports</td> </tr> <tr> <td>M</td> <td>Metric threads / ports</td> </tr> </tbody> </table> | Thread Type | | Omit | Inch threads / ports | M | Metric threads / ports |
| Material | | | | | | | | | | | | | | | | | | | | | | | | | | | | | | | | | | | | | | | | | | | | | | | |
| A | Aluminum - 6061-T6 3000† psi • 20.7 MPa | | | | | | | | | | | | | | | | | | | | | | | | | | | | | | | | | | | | | | | | | | | | | | |
| D | Ductile Iron - D4512 5000† psi • 34.5 MPa | | | | | | | | | | | | | | | | | | | | | | | | | | | | | | | | | | | | | | | | | | | | | | |
| † Working pressure should be considered in accordance with ISO 4413 to determine appropriate material type. | | | | | | | | | | | | | | | | | | | | | | | | | | | | | | | | | | | | | | | | | | | | | | | |
| Valve Cavity | | | | | | | | | | | | | | | | | | | | | | | | | | | | | | | | | | | | | | | | | | | | | | | |
| 63 | DIN 24342 - 63mm ISO 7368-12-11 (Standard currently under revision) NFFPA T3.5.45-BF-12-2-A | | | | | | | | | | | | | | | | | | | | | | | | | | | | | | | | | | | | | | | | | | | | | | |
| Pilot Circuit | | | | | | | | | | | | | | | | | | | | | | | | | | | | | | | | | | | | | | | | | | | | | | | |
| XA | X common to A Y common to B | | | | | | | | | | | | | | | | | | | | | | | | | | | | | | | | | | | | | | | | | | | | | | |
| XB | X common to B Z1 common to A | | | | | | | | | | | | | | | | | | | | | | | | | | | | | | | | | | | | | | | | | | | | | | |
| These connections are furnished plugged (external pilot ports). Remove plugs for internal pilot ports. See circuit diagram. | | | | | | | | | | | | | | | | | | | | | | | | | | | | | | | | | | | | | | | | | | | | | | | |
| A & B Port Size | | | | | | | | | | | | | | | | | | | | | | | | | | | | | | | | | | | | | | | | | | | | | | | |
| 48F | ISO 6162 - DN76 Split Flange SAE Size 48 (3.00") Flange | | | | | | | | | | | | | | | | | | | | | | | | | | | | | | | | | | | | | | | | | | | | | | |
| 80F | ISO 6162 - DN127 Split Flange SAE Size 80 (5.00") Flange | | | | | | | | | | | | | | | | | | | | | | | | | | | | | | | | | | | | | | | | | | | | | | |
| Flange Rating | | | | | | | | | | | | | | | | | | | | | | | | | | | | | | | | | | | | | | | | | | | | | | | |
| Aluminum or Ductile | | | | | | | | | | | | | | | | | | | | | | | | | | | | | | | | | | | | | | | | | | | | | | | |
| 61 | ISO 6162 - 2.5 to 35 MPa SAE code 61 | | | | | | | | | | | | | | | | | | | | | | | | | | | | | | | | | | | | | | | | | | | | | | |
| Port size 48F, Ductile only | | | | | | | | | | | | | | | | | | | | | | | | | | | | | | | | | | | | | | | | | | | | | | | |
| 62 | ISO 6162 - 40 MPa series SAE code 62 | | | | | | | | | | | | | | | | | | | | | | | | | | | | | | | | | | | | | | | | | | | | | | |
| Thread Type | | | | | | | | | | | | | | | | | | | | | | | | | | | | | | | | | | | | | | | | | | | | | | | |
| Omit | Inch threads / ports | | | | | | | | | | | | | | | | | | | | | | | | | | | | | | | | | | | | | | | | | | | | | | |
| M | Metric threads / ports | | | | | | | | | | | | | | | | | | | | | | | | | | | | | | | | | | | | | | | | | | | | | | |



Hydraulic Valve Manifolds Better System Design Begins with a Manifold.

HEADER AND JUNCTION BLOCKS

Header Manifolds - 0° Design Page 180-181

Header Manifolds - 90° Design Page 182-183

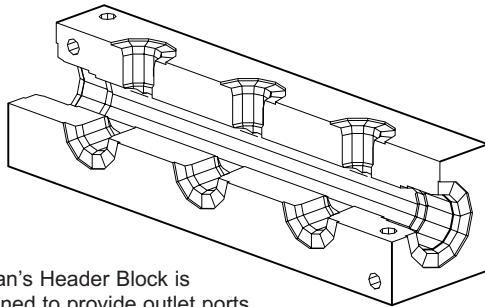
Header Manifolds - 180° Design Page 184-185

Junction Manifolds - 90° Design Page 186-187

Junction Manifolds - 180° Design Page 188-189

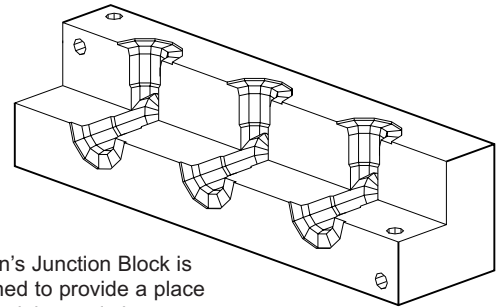
Junction Manifolds - 270° Design Page 190-191

Header Block



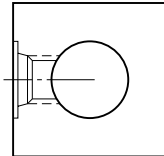
Daman's Header Block is designed to provide outlet ports that are common to one header (thru) port. The header port is always one size larger than the outlet ports.

Junction Block



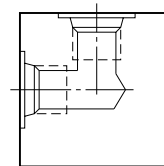
Daman's Junction Block is designed to provide a place to join piping and change direction or split / combine with other lines.

Available Header Block Configurations

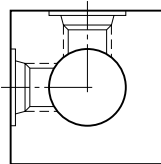


0° design
See pages 180-181

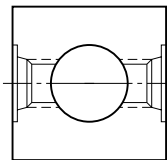
Available Junction Block Configurations



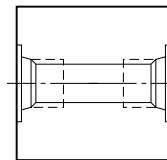
90° design
See pages 186-187



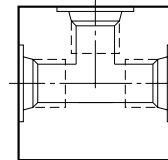
90° design
See pages 182-183



180° design
See pages 184-185



180° design
See pages 188-189



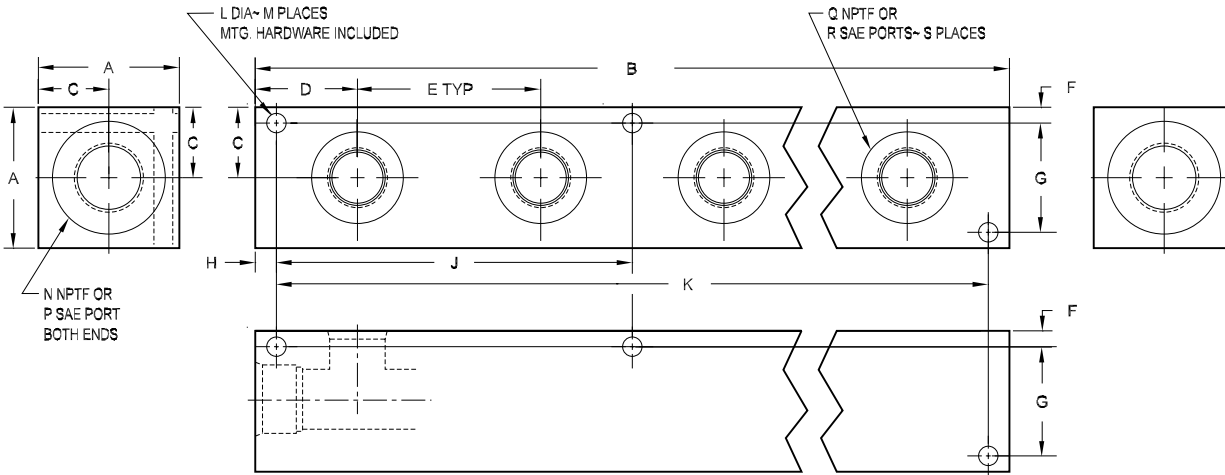
270° design
See pages 190-191

| Header Block Mounting Hardware | Port Size | Mounting bolts |
|--------------------------------|-----------|---|
| | 01P | (2) or (3) UNC #10-24 x 1.50 long SHCS |
| | 02P | (2) or (3) UNC 0.25-20 x 2.00 long SHCS |
| | 04*, 06S | (2) or (3) UNC 0.25-20 x 2.25 long SHCS |
| | 06P, 08P | (2) or (3) UNC 0.25-20 x 2.50 long SHCS |
| | 08S | (2) or (3) UNC 0.25-20 x 2.75 long SHCS |
| | 12* | (2) or (3) UNC 0.31-18 x 3.00 long SHCS |
| | 16* | (2) or (3) UNC 0.38-16 x 3.50 long SHCS |
| | 20* | (2) or (3) UNC 0.50-13 x 4.50 long SHCS |
| | 24P | (2) or (3) UNC 0.50-13 x 5.00 long SHCS |
| | 24S | (2) or (3) UNC 0.50-13 x 5.50 long SHCS |

| Junction Block Mounting Hardware | Port Size | Mounting bolts |
|----------------------------------|-----------|---|
| | 04* | (2) or (3) UNC 0.25-20 x 2.25 long SHCS |
| | 06* | (2) or (3) UNC 0.25-20 x 2.25 long SHCS |
| | 08* | (2) or (3) UNC 0.25-20 x 2.50 long SHCS |
| | 12* | (2) or (3) UNC 0.31-18 x 3.00 long SHCS |
| | 16* | (2) or (3) UNC 0.38-16 x 3.50 long SHCS |
| | 20* | (2) or (3) UNC 0.50-13 x 4.50 long SHCS |
| | 24* | (2) or (3) UNC 0.50-13 x 5.00 long SHCS |

Header Manifolds - 0° Design

Header block mounting hardware is supplied.
See page 179 for itemized list.



Specifications, descriptions, and dimensional data are subject to correction or change without notice or incurring obligation. Download latest catalog page revisions at www.damanifolds.com.

Ordering Information

| Material | Product Type | Side Port Layout | No. of Stations | Side Port Threads | | | | | | | | | | | | | | | | | | | | | | | | | | | | | | | | | | | | | | | | | | | | | | | | | | | |
|--|--|---|-----------------|--|----------|--|---|--|---|--------------|--|----------|--------------|--|------------------|--|------------|-------------------------|---|-----------------|--|-----------|--|-----------|-----------|-----------|-----------|-----------|---|-------------------|--|--|------------|----------------------|------------|------------|------------|------------|------------|------------|------------|------------|------------|------------|------------|------------|------------|------------|---|--|------------|--|--|--|------------------------------|
| <table border="1"> <thead> <tr> <th colspan="2">Material</th> </tr> </thead> <tbody> <tr> <td>A</td> <td>Aluminum - 6061-T6 3000† psi • 20.7 MPa</td> </tr> <tr> <td>D</td> <td>Ductile Iron - D4512 5000† psi • 34.5 MPa</td> </tr> <tr> <td colspan="2">† Working pressure should be considered in accordance with ISO 4413 to determine appropriate material type.</td> </tr> </tbody> </table> | Material | | A | Aluminum - 6061-T6 3000† psi • 20.7 MPa | D | Ductile Iron - D4512 5000† psi • 34.5 MPa | † Working pressure should be considered in accordance with ISO 4413 to determine appropriate material type. | | <table border="1"> <thead> <tr> <th colspan="2">Product Type</th> </tr> </thead> <tbody> <tr> <td>H</td> <td>Header Block</td> </tr> </tbody> </table> | Product Type | | H | Header Block | <table border="1"> <thead> <tr> <th colspan="2">Side Port Layout</th> </tr> </thead> <tbody> <tr> <td>000</td> <td>Ports out one side only</td> </tr> </tbody> </table> | Side Port Layout | | 000 | Ports out one side only | <table border="1"> <thead> <tr> <th colspan="2">No. of Stations</th> </tr> </thead> <tbody> <tr> <td>02</td> <td rowspan="6">Check chart on next page to verify station-port size combinations and stock status</td> </tr> <tr> <td>03</td> </tr> <tr> <td>04</td> </tr> <tr> <td>06</td> </tr> <tr> <td>08</td> </tr> <tr> <td>10</td> </tr> </tbody> </table> | No. of Stations | | 02 | Check chart on next page to verify station-port size combinations and stock status | 03 | 04 | 06 | 08 | 10 | <table border="1"> <thead> <tr> <th colspan="3">Side Port Threads</th> </tr> </thead> <tbody> <tr> <td>01P</td> <td rowspan="9">NPTF ANSI B1.20.3</td> <td>04S</td> </tr> <tr> <td>02P</td> <td>06S</td> </tr> <tr> <td>04P</td> <td>08S</td> </tr> <tr> <td>06P</td> <td>12S</td> </tr> <tr> <td>08P</td> <td>16S</td> </tr> <tr> <td>12P</td> <td>20S</td> </tr> <tr> <td>16P</td> <td>24S</td> </tr> <tr> <td>20P</td> <td rowspan="2">Check chart on next page to verify station-port size combinations</td> <td></td> </tr> <tr> <td>24P</td> <td></td> </tr> <tr> <td></td> <td></td> <td>SAE ISO 11926 SAE 1926</td> </tr> </tbody> </table> | Side Port Threads | | | 01P | NPTF ANSI B1.20.3 | 04S | 02P | 06S | 04P | 08S | 06P | 12S | 08P | 16S | 12P | 20S | 16P | 24S | 20P | Check chart on next page to verify station-port size combinations | | 24P | | | | SAE ISO 11926 SAE 1926 |
| Material | | | | | | | | | | | | | | | | | | | | | | | | | | | | | | | | | | | | | | | | | | | | | | | | | | | | | | | |
| A | Aluminum - 6061-T6 3000† psi • 20.7 MPa | | | | | | | | | | | | | | | | | | | | | | | | | | | | | | | | | | | | | | | | | | | | | | | | | | | | | | |
| D | Ductile Iron - D4512 5000† psi • 34.5 MPa | | | | | | | | | | | | | | | | | | | | | | | | | | | | | | | | | | | | | | | | | | | | | | | | | | | | | | |
| † Working pressure should be considered in accordance with ISO 4413 to determine appropriate material type. | | | | | | | | | | | | | | | | | | | | | | | | | | | | | | | | | | | | | | | | | | | | | | | | | | | | | | | |
| Product Type | | | | | | | | | | | | | | | | | | | | | | | | | | | | | | | | | | | | | | | | | | | | | | | | | | | | | | | |
| H | Header Block | | | | | | | | | | | | | | | | | | | | | | | | | | | | | | | | | | | | | | | | | | | | | | | | | | | | | | |
| Side Port Layout | | | | | | | | | | | | | | | | | | | | | | | | | | | | | | | | | | | | | | | | | | | | | | | | | | | | | | | |
| 000 | Ports out one side only | | | | | | | | | | | | | | | | | | | | | | | | | | | | | | | | | | | | | | | | | | | | | | | | | | | | | | |
| No. of Stations | | | | | | | | | | | | | | | | | | | | | | | | | | | | | | | | | | | | | | | | | | | | | | | | | | | | | | | |
| 02 | Check chart on next page to verify station-port size combinations and stock status | | | | | | | | | | | | | | | | | | | | | | | | | | | | | | | | | | | | | | | | | | | | | | | | | | | | | | |
| 03 | | | | | | | | | | | | | | | | | | | | | | | | | | | | | | | | | | | | | | | | | | | | | | | | | | | | | | | |
| 04 | | | | | | | | | | | | | | | | | | | | | | | | | | | | | | | | | | | | | | | | | | | | | | | | | | | | | | | |
| 06 | | | | | | | | | | | | | | | | | | | | | | | | | | | | | | | | | | | | | | | | | | | | | | | | | | | | | | | |
| 08 | | | | | | | | | | | | | | | | | | | | | | | | | | | | | | | | | | | | | | | | | | | | | | | | | | | | | | | |
| 10 | | | | | | | | | | | | | | | | | | | | | | | | | | | | | | | | | | | | | | | | | | | | | | | | | | | | | | | |
| Side Port Threads | | | | | | | | | | | | | | | | | | | | | | | | | | | | | | | | | | | | | | | | | | | | | | | | | | | | | | | |
| 01P | NPTF ANSI B1.20.3 | 04S | | | | | | | | | | | | | | | | | | | | | | | | | | | | | | | | | | | | | | | | | | | | | | | | | | | | | |
| 02P | | 06S | | | | | | | | | | | | | | | | | | | | | | | | | | | | | | | | | | | | | | | | | | | | | | | | | | | | | |
| 04P | | 08S | | | | | | | | | | | | | | | | | | | | | | | | | | | | | | | | | | | | | | | | | | | | | | | | | | | | | |
| 06P | | 12S | | | | | | | | | | | | | | | | | | | | | | | | | | | | | | | | | | | | | | | | | | | | | | | | | | | | | |
| 08P | | 16S | | | | | | | | | | | | | | | | | | | | | | | | | | | | | | | | | | | | | | | | | | | | | | | | | | | | | |
| 12P | | 20S | | | | | | | | | | | | | | | | | | | | | | | | | | | | | | | | | | | | | | | | | | | | | | | | | | | | | |
| 16P | | 24S | | | | | | | | | | | | | | | | | | | | | | | | | | | | | | | | | | | | | | | | | | | | | | | | | | | | | |
| 20P | | Check chart on next page to verify station-port size combinations | | | | | | | | | | | | | | | | | | | | | | | | | | | | | | | | | | | | | | | | | | | | | | | | | | | | | |
| 24P | | | | | | | | | | | | | | | | | | | | | | | | | | | | | | | | | | | | | | | | | | | | | | | | | | | | | | | |
| | | SAE ISO 11926 SAE 1926 | | | | | | | | | | | | | | | | | | | | | | | | | | | | | | | | | | | | | | | | | | | | | | | | | | | | | |

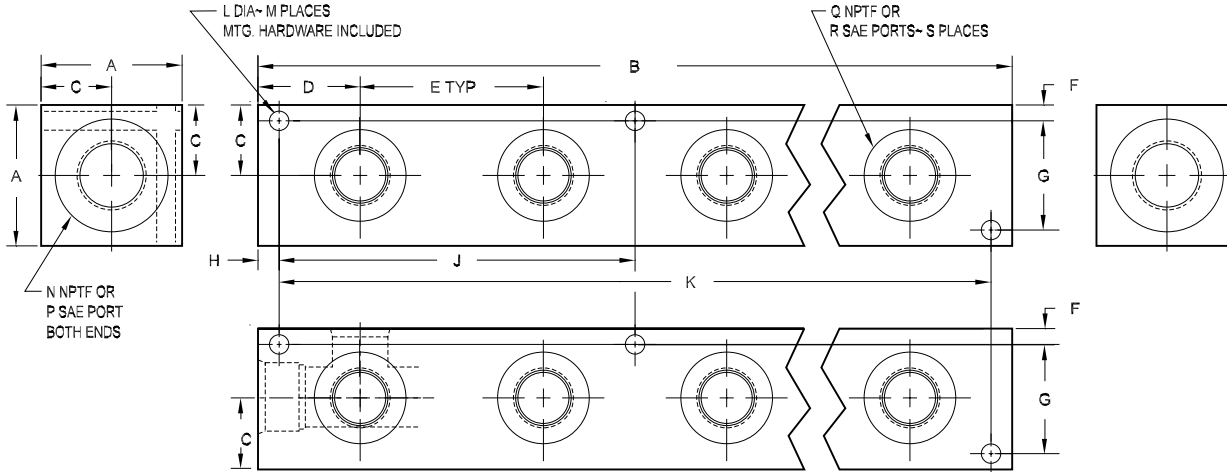
Header Manifolds - 0° Design

| PART NO. | A | B | C | D | E | F | G | H | J | K | L | M | N | P | Q | R | S |
|------------|---------|---------------|--------|--------|---------|--------|--------|--------|---------------|---------------|--------|---|-------|-----|-------|-----|----|
| *H0000401P | 1.25 | 5.75 [146.1] | 0.63 | 1.00 | 1.25 | 0.17 | 0.91 | 0.31 | -- | 5.13 [130.2] | 0.22 | 4 | | | | | 4 |
| *H0000601P | [31.8] | 8.25 [209.6] | [16.0] | [25.4] | [31.8] | [4.4] | [23.0] | [7.9] | 3.81 [96.8] | 7.63 [193.7] | [5.6] | 6 | 1/8 | -- | 1/16 | -- | 6 |
| *H0000801P | | 10.75 [273.1] | | | | | | | 5.06 [128.6] | 10.13 [257.2] | | 6 | | | | | 8 |
| *H0001001P | | 13.25 [336.6] | | | | | | | 6.31 [160.3] | 12.63 [320.7] | | 6 | | | | | 10 |
| *H0000302P | 1.50 | 5.00 [127.0] | 0.75 | 1.13 | 1.38 | 0.25 | 1.00 | 0.31 | -- | 4.38 [111.3] | 0.28 | 4 | 1/4 | -- | 1/8 | -- | 3 |
| *H0000402P | [38.1] | 6.38 [161.9] | [19.1] | [28.6] | [35.1] | [6.4] | [25.4] | [7.9] | -- | 5.75 [146.1] | [7.1] | 4 | | | | | 4 |
| *H0000602P | | 9.13 [231.8] | | | | | | | 4.25 [108.0] | 8.50 [215.9] | | 6 | | | | | 6 |
| *H0000802P | | 11.88 [301.6] | | | | | | | 5.63 [142.9] | 11.25 [285.8] | | 6 | | | | | 8 |
| *H0001002P | | 14.63 [371.5] | | | | | | | 7.00 [177.8] | 14.00 [355.6] | | 6 | | | | | 10 |
| *H0000304* | 1.75 | 5.63 [142.9] | 0.88 | 1.06 | 1.75 | 0.25 | 1.25 | 0.31 | -- | 5.00 [127.0] | 0.28 | 4 | 3/8 | -6 | 1/4 | -4 | 3 |
| *H0000404* | [44.5] | 7.38 [187.3] | [22.2] | [27.0] | [44.5] | [6.4] | [31.8] | [7.9] | -- | 6.75 [171.5] | [7.1] | 4 | | | | | 4 |
| *H0000604* | | 10.88 [276.2] | | | | | | | 5.13 [130.2] | 10.25 [260.4] | | 6 | | | | | 6 |
| *H0000804* | | 14.38 [365.1] | | | | | | | 6.88 [174.6] | 13.75 [349.3] | | 6 | | | | | 8 |
| *H0001004* | | 17.88 [454.0] | | | | | | | 8.63 [219.1] | 17.25 [438.2] | | 6 | | | | | 10 |
| *H0000206P | 2.00 | 5.00 [127.0] | 1.00 | 1.50 | 2.00 | 0.25 | 1.50 | 0.31 | -- | 4.38 [111.1] | 0.28 | 4 | 1/2 | -8 | 3/8 | -6 | 2 |
| *H0000306P | [50.8] | 7.00 [177.8] | [25.4] | [38.1] | [50.8] | [6.4] | [38.1] | [7.9] | -- | 6.38 [161.9] | [7.1] | 4 | | | | | 3 |
| *H0000406P | | 9.00 [228.6] | | | | | | | -- | 8.38 [212.7] | | 4 | | | | | 4 |
| *H0000606P | | 13.00 [330.2] | | | | | | | 6.19 [157.2] | 12.38 [314.3] | | 6 | | | | | 6 |
| *H0000806P | | 17.00 [431.8] | | | | | | | 8.19 [208.0] | 16.38 [415.9] | | 6 | | | | | 8 |
| *H0001006P | | 21.00 [533.4] | | | | | | | 10.19 [258.8] | 20.38 [517.5] | | 6 | | | | | 10 |
| *H0000206S | 1.75 | 5.00 [127.0] | 0.88 | 1.50 | 2.00 | 0.25 | 1.25 | 0.31 | -- | 4.38 [111.1] | 0.28 | 4 | 1/2 | -8 | 3/8 | -6 | 2 |
| *H0000306S | [44.5] | 7.00 [177.8] | [22.2] | [38.1] | [50.8] | [6.4] | [31.8] | [7.9] | -- | 6.38 [161.9] | [7.1] | 4 | | | | | 3 |
| *H0000406S | | 9.00 [228.6] | | | | | | | -- | 8.38 [212.7] | | 4 | | | | | 4 |
| *H0000606S | | 13.00 [330.2] | | | | | | | 6.19 [157.2] | 12.38 [314.3] | | 6 | | | | | 6 |
| *H0000806S | | 17.00 [431.8] | | | | | | | 8.19 [208.0] | 16.38 [415.9] | | 6 | | | | | 8 |
| *H0001006S | | 21.00 [533.4] | | | | | | | 10.19 [258.8] | 20.38 [517.5] | | 6 | | | | | 10 |
| *H0000208P | 2.00 | 5.38 [136.5] | 1.00 | 1.50 | 2.38 | 0.25 | 1.50 | 0.31 | -- | 4.75 [120.7] | 0.28 | 4 | 3/4 | -12 | 1/2 | -8 | 2 |
| *H0000308P | [50.8] | 7.75 [196.9] | [25.4] | [38.1] | [60.3] | [6.4] | [38.1] | [7.9] | -- | 7.13 [181.0] | [7.1] | 4 | | | | | 3 |
| *H0000408P | | 10.13 [257.2] | | | | | | | -- | 9.50 [241.3] | | 4 | | | | | 4 |
| *H0000608P | | 14.88 [377.8] | | | | | | | 7.13 [181.0] | 14.25 [362.0] | | 6 | | | | | 6 |
| *H0000808P | | 19.63 [498.5] | | | | | | | 9.50 [241.3] | 19.00 [482.6] | | 6 | | | | | 8 |
| *H0001008P | | 24.38 [619.1] | | | | | | | 11.88 [301.6] | 23.75 [603.3] | | 6 | | | | | 10 |
| *H0000208S | 2.25 | 5.38 [136.5] | 1.13 | 1.50 | 2.38 | 0.25 | 1.75 | 0.31 | -- | 4.75 [120.7] | 0.28 | 4 | 3/4 | -12 | 1/2 | -8 | 2 |
| *H0000308S | [57.2] | 7.75 [196.9] | [28.6] | [38.1] | [60.3] | [6.4] | [44.5] | [7.9] | -- | 7.13 [181.0] | [7.1] | 4 | | | | | 3 |
| *H0000408S | | 10.13 [257.2] | | | | | | | -- | 9.50 [241.3] | | 4 | | | | | 4 |
| *H0000608S | | 14.88 [377.8] | | | | | | | 7.13 [181.0] | 14.25 [362.0] | | 6 | | | | | 6 |
| *H0000808S | | 19.63 [498.5] | | | | | | | 9.50 [241.3] | 19.00 [482.6] | | 6 | | | | | 8 |
| *H0001008S | | 24.38 [619.1] | | | | | | | 11.88 [301.6] | 23.75 [603.3] | | 6 | | | | | 10 |
| *H0000212* | 2.50 | 6.88 [174.6] | 1.25 | 1.81 | 3.25 | 0.28 | 1.94 | 0.38 | -- | 6.13 [155.6] | 0.34 | 4 | 1" | -16 | 3/4 | -12 | 2 |
| *H0000312* | [63.5] | 10.13 [257.2] | [31.8] | [46.0] | [82.6] | [7.1] | [49.2] | [9.5] | -- | 9.38 [238.1] | [8.7] | 4 | | | | | 3 |
| *H0000412* | | 13.38 [339.7] | | | | | | | -- | 12.63 [320.7] | | 4 | | | | | 4 |
| *H0000612* | | 19.88 [504.8] | | | | | | | 9.56 [242.9] | 19.13 [485.8] | | 6 | | | | | 6 |
| *H0000812* | | 26.38 [669.9] | | | | | | | 12.81 [325.4] | 25.63 [650.9] | | 6 | | | | | 8 |
| *H0001012* | | 32.88 [835.0] | | | | | | | 16.06 [408.0] | 32.13 [816.0] | | 6 | | | | | 10 |
| *H0000216* | 3.00 | 7.75 [197.0] | 1.50 | 2.00 | 3.75 | 0.34 | 2.31 | 0.38 | -- | 7.00 [177.8] | 0.41 | 4 | 1-1/4 | -20 | 1" | -16 | 2 |
| *H0000316* | [76.2] | 11.50 [292.1] | [38.1] | [50.8] | [95.3] | [8.7] | [58.7] | [9.5] | -- | 10.75 [273.1] | [10.3] | 4 | | | | | 3 |
| *H0000416* | | 15.25 [387.4] | | | | | | | -- | 14.50 [368.3] | | 4 | | | | | 4 |
| *H0000616* | | 22.75 [577.9] | | | | | | | 11.00 [279.4] | 22.00 [558.8] | | 6 | | | | | 6 |
| *H0000816* | | 30.25 [768.4] | | | | | | | 14.75 [374.7] | 29.50 [749.3] | | 6 | | | | | 8 |
| *H0001016* | | 37.75 [958.9] | | | | | | | 18.50 [469.9] | 37.00 [939.8] | | 6 | | | | | 10 |
| *H0000220* | 3.50 | 8.50 [215.9] | 1.75 | 2.25 | 4.00 | 0.41 | 2.69 | 0.50 | -- | 7.50 [190.5] | 0.53 | 4 | 1-1/2 | -24 | 1-1/4 | -20 | 2 |
| *H0000320* | [88.9] | 12.50 [317.5] | [44.5] | [57.2] | [101.6] | [10.3] | [68.3] | [12.7] | -- | 11.50 [292.1] | [13.5] | 4 | | | | | 3 |
| *H0000420* | | 16.50 [419.1] | | | | | | | -- | 15.50 [393.7] | | 4 | | | | | 4 |
| *H0000620* | | 24.50 [622.3] | | | | | | | 11.75 [298.5] | 23.50 [596.9] | | 6 | | | | | 6 |
| *H0000820* | | 32.50 [825.5] | | | | | | | 15.75 [400.1] | 31.50 [800.1] | | 6 | | | | | 8 |
| *H0000224P | 4.00 | 10.00 [254.0] | 2.00 | 2.50 | 5.00 | 0.41 | 3.19 | 0.50 | -- | 9.00 [228.6] | 0.53 | 4 | 2" | -32 | 1-1/2 | -24 | 2 |
| *H0000324P | [101.6] | 15.00 [381.0] | [50.8] | [63.5] | [127.0] | [10.3] | [81.0] | [12.7] | -- | 14.00 [355.6] | [13.5] | 4 | | | | | 3 |
| *H0000424P | | 20.00 [508.0] | | | | | | | 9.50 [241.3] | 19.00 [482.6] | | 6 | | | | | 4 |
| *H0000624P | | 30.00 [762.0] | | | | | | | 14.50 [368.3] | 29.00 [736.6] | | 6 | | | | | 6 |
| *H0000224S | 4.50 | 10.00 [254.0] | 2.25 | 2.50 | 5.00 | 0.41 | 3.69 | 0.50 | -- | 9.00 [228.6] | 0.53 | 4 | 2" | -32 | 1-1/2 | -24 | 2 |
| *H0000324S | [114.3] | 15.00 [381.0] | [57.2] | [63.5] | [127.0] | [10.3] | [93.7] | [12.7] | -- | 14.00 [355.6] | [13.5] | 4 | | | | | 3 |
| *H0000424S | | 20.00 [508.0] | | | | | | | 9.50 [241.3] | 19.00 [482.6] | | 6 | | | | | 4 |
| *H0000624S | | 30.00 [762.0] | | | | | | | 14.50 [368.3] | 29.00 [736.6] | | 6 | | | | | 6 |

Custom Products
 Standard Manifolds
 Cover Plates
 Valve Adaptors
 Subplates
 Servo Valve Subplates
 Tapping Plates
 DIN Cartridge Valve Bodies
 Header and Junction Blocks
 Technical Information

Header Manifolds - 90° Design

Header block mounting hardware is supplied.
See page 179 for itemized list.



Specifications, descriptions, and dimensional data are subject to correction or change without notice or incurring obligation. Download latest catalog page revisions at www.damanifolds.com.

Ordering Information

| Material | Product Type | Side Port Layout | No. of Stations | Side Port Threads | | | | | | | | | | | | | | | | | | | | | | | | | | | | | | | | | | | | | | | | | | | | | | | | | |
|--|--|------------------|------------------------------|--|----------|--|---|--|---|--------------|--|----------|--------------|---|------------------|--|------------|------------------------------|---|-----------------|--|-----------|--|-----------|-----------|-----------|-----------|-----------|---|-------------------|--|--|--|------------|----------------------|------------|------------------------------|------------|------------|------------|------------|------------|------------|------------|------------|------------|------------|------------|------------|---|--|--|--|
| <table border="1"> <thead> <tr> <th colspan="2">Material</th> </tr> </thead> <tbody> <tr> <td>A</td> <td>Aluminum - 6061-T6 3000† psi • 20.7 MPa</td> </tr> <tr> <td>D</td> <td>Ductile Iron - D4512 5000† psi • 34.5 MPa</td> </tr> <tr> <td colspan="2">† Working pressure should be considered in accordance with ISO 4413 to determine appropriate material type.</td> </tr> </tbody> </table> | Material | | A | Aluminum - 6061-T6 3000† psi • 20.7 MPa | D | Ductile Iron - D4512 5000† psi • 34.5 MPa | † Working pressure should be considered in accordance with ISO 4413 to determine appropriate material type. | | <table border="1"> <thead> <tr> <th colspan="2">Product Type</th> </tr> </thead> <tbody> <tr> <td>H</td> <td>Header Block</td> </tr> </tbody> </table> | Product Type | | H | Header Block | <table border="1"> <thead> <tr> <th colspan="2">Side Port Layout</th> </tr> </thead> <tbody> <tr> <td>090</td> <td>Ports out two adjacent sides</td> </tr> </tbody> </table> | Side Port Layout | | 090 | Ports out two adjacent sides | <table border="1"> <thead> <tr> <th colspan="2">No. of Stations</th> </tr> </thead> <tbody> <tr> <td>02</td> <td rowspan="6">Check chart on next page to verify station-port size combinations and stock status</td> </tr> <tr> <td>03</td> </tr> <tr> <td>04</td> </tr> <tr> <td>06</td> </tr> <tr> <td>08</td> </tr> <tr> <td>10</td> </tr> </tbody> </table> | No. of Stations | | 02 | Check chart on next page to verify station-port size combinations and stock status | 03 | 04 | 06 | 08 | 10 | <table border="1"> <thead> <tr> <th colspan="4">Side Port Threads</th> </tr> </thead> <tbody> <tr> <td>04P</td> <td rowspan="8">NPTF ANSI B1.20.3</td> <td>04S</td> <td rowspan="8">SAE ISO 11926 SAE 1926</td> </tr> <tr> <td>06P</td> <td>06S</td> </tr> <tr> <td>08P</td> <td>08S</td> </tr> <tr> <td>12P</td> <td>12S</td> </tr> <tr> <td>16P</td> <td>16S</td> </tr> <tr> <td>20P</td> <td>20S</td> </tr> <tr> <td>24P</td> <td>24S</td> </tr> <tr> <td colspan="4">Check chart on next page to verify station-port size combinations</td> </tr> </tbody> </table> | Side Port Threads | | | | 04P | NPTF ANSI B1.20.3 | 04S | SAE ISO 11926 SAE 1926 | 06P | 06S | 08P | 08S | 12P | 12S | 16P | 16S | 20P | 20S | 24P | 24S | Check chart on next page to verify station-port size combinations | | | |
| Material | | | | | | | | | | | | | | | | | | | | | | | | | | | | | | | | | | | | | | | | | | | | | | | | | | | | | |
| A | Aluminum - 6061-T6 3000† psi • 20.7 MPa | | | | | | | | | | | | | | | | | | | | | | | | | | | | | | | | | | | | | | | | | | | | | | | | | | | | |
| D | Ductile Iron - D4512 5000† psi • 34.5 MPa | | | | | | | | | | | | | | | | | | | | | | | | | | | | | | | | | | | | | | | | | | | | | | | | | | | | |
| † Working pressure should be considered in accordance with ISO 4413 to determine appropriate material type. | | | | | | | | | | | | | | | | | | | | | | | | | | | | | | | | | | | | | | | | | | | | | | | | | | | | | |
| Product Type | | | | | | | | | | | | | | | | | | | | | | | | | | | | | | | | | | | | | | | | | | | | | | | | | | | | | |
| H | Header Block | | | | | | | | | | | | | | | | | | | | | | | | | | | | | | | | | | | | | | | | | | | | | | | | | | | | |
| Side Port Layout | | | | | | | | | | | | | | | | | | | | | | | | | | | | | | | | | | | | | | | | | | | | | | | | | | | | | |
| 090 | Ports out two adjacent sides | | | | | | | | | | | | | | | | | | | | | | | | | | | | | | | | | | | | | | | | | | | | | | | | | | | | |
| No. of Stations | | | | | | | | | | | | | | | | | | | | | | | | | | | | | | | | | | | | | | | | | | | | | | | | | | | | | |
| 02 | Check chart on next page to verify station-port size combinations and stock status | | | | | | | | | | | | | | | | | | | | | | | | | | | | | | | | | | | | | | | | | | | | | | | | | | | | |
| 03 | | | | | | | | | | | | | | | | | | | | | | | | | | | | | | | | | | | | | | | | | | | | | | | | | | | | | |
| 04 | | | | | | | | | | | | | | | | | | | | | | | | | | | | | | | | | | | | | | | | | | | | | | | | | | | | | |
| 06 | | | | | | | | | | | | | | | | | | | | | | | | | | | | | | | | | | | | | | | | | | | | | | | | | | | | | |
| 08 | | | | | | | | | | | | | | | | | | | | | | | | | | | | | | | | | | | | | | | | | | | | | | | | | | | | | |
| 10 | | | | | | | | | | | | | | | | | | | | | | | | | | | | | | | | | | | | | | | | | | | | | | | | | | | | | |
| Side Port Threads | | | | | | | | | | | | | | | | | | | | | | | | | | | | | | | | | | | | | | | | | | | | | | | | | | | | | |
| 04P | NPTF ANSI B1.20.3 | 04S | SAE ISO 11926 SAE 1926 | | | | | | | | | | | | | | | | | | | | | | | | | | | | | | | | | | | | | | | | | | | | | | | | | | |
| 06P | | 06S | | | | | | | | | | | | | | | | | | | | | | | | | | | | | | | | | | | | | | | | | | | | | | | | | | | |
| 08P | | 08S | | | | | | | | | | | | | | | | | | | | | | | | | | | | | | | | | | | | | | | | | | | | | | | | | | | |
| 12P | | 12S | | | | | | | | | | | | | | | | | | | | | | | | | | | | | | | | | | | | | | | | | | | | | | | | | | | |
| 16P | | 16S | | | | | | | | | | | | | | | | | | | | | | | | | | | | | | | | | | | | | | | | | | | | | | | | | | | |
| 20P | | 20S | | | | | | | | | | | | | | | | | | | | | | | | | | | | | | | | | | | | | | | | | | | | | | | | | | | |
| 24P | | 24S | | | | | | | | | | | | | | | | | | | | | | | | | | | | | | | | | | | | | | | | | | | | | | | | | | | |
| Check chart on next page to verify station-port size combinations | | | | | | | | | | | | | | | | | | | | | | | | | | | | | | | | | | | | | | | | | | | | | | | | | | | | | |

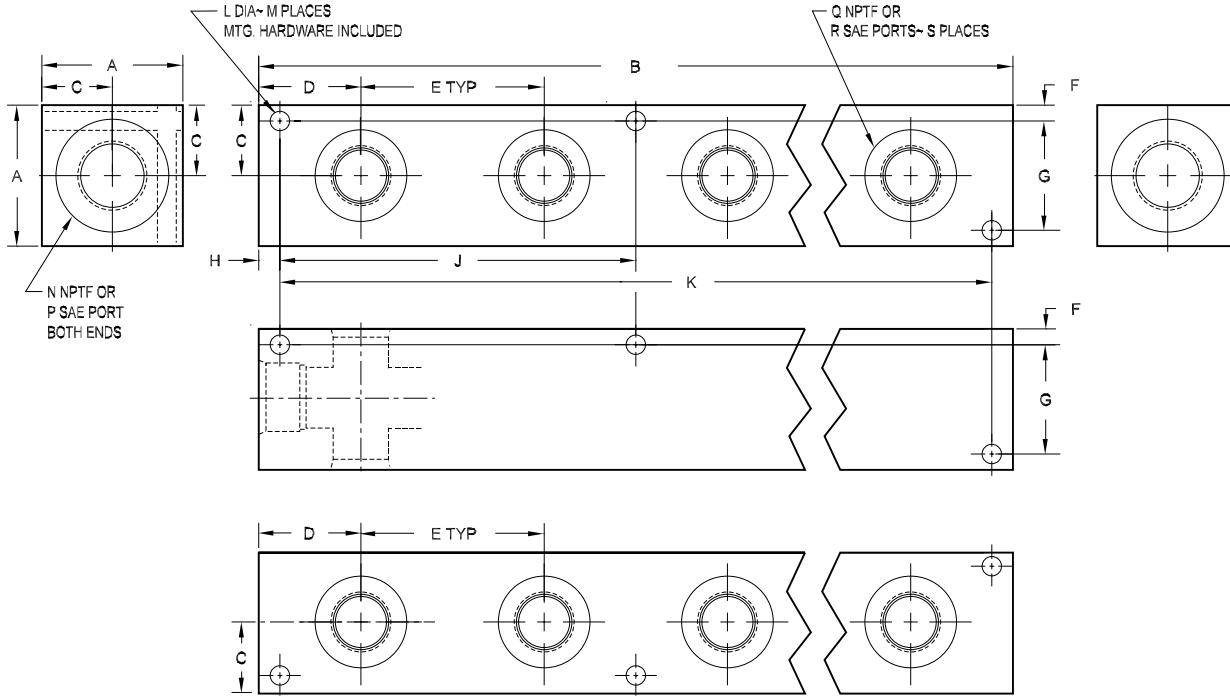
Header Manifolds - 90° Design

| PART NO. | A | B | C | D | E | F | G | H | J | K | L | M | N | P | Q | R | S |
|------------|---------|---------------|--------|--------|---------|--------|--------|--------|---------------|---------------|--------|---|-------|-----|-------|-----|----|
| *H0900304* | | 5.63 [142.9] | | | | | | | -- | 5.00 [127.0] | | 4 | | | | | 6 |
| *H0900404* | 1.75 | 7.38 [187.3] | | | | | | | -- | 6.75 [171.5] | | 4 | | | | | 8 |
| *H0900604* | [44.5] | 10.88 [276.2] | 0.88 | 1.06 | 1.75 | 0.25 | 1.25 | 0.31 | 5.13 [130.2] | 10.25 [260.4] | 0.28 | 4 | 3/8 | -6 | 1/4 | -4 | 12 |
| *H0900804* | | 14.38 [365.1] | [22.2] | [27.0] | [44.5] | [6.4] | [31.8] | [7.9] | 6.88 [174.6] | 13.75 [349.3] | [7.1] | 6 | | | | | 16 |
| *H0901004* | | 17.88 [454.0] | | | | | | | 8.63 [219.1] | 17.25 [438.2] | | 6 | | | | | 20 |
| *H0900206P | | 5.00 [127.0] | | | | | | | -- | 4.38 [111.1] | | 4 | | | | | 4 |
| *H0900306P | | 7.00 [177.8] | | | | | | | -- | 6.38 [161.9] | | 4 | | | | | 6 |
| *H0900406P | 2.00 | 9.00 [228.6] | 1.00 | 1.50 | 2.00 | 0.25 | 1.50 | 0.31 | -- | 8.38 [212.7] | 0.28 | 4 | 1/2 | -8 | 3/8 | -6 | 8 |
| *H0900606P | [50.8] | 13.00 [330.2] | [25.4] | [38.1] | [50.8] | [6.4] | [38.1] | [7.9] | 6.19 [157.2] | 12.38 [314.3] | [7.1] | 6 | | | | | 12 |
| *H0900806P | | 17.00 [431.8] | | | | | | | 8.19 [208.0] | 16.38 [415.9] | | 6 | | | | | 16 |
| *H0901006P | | 21.00 [533.4] | | | | | | | 10.19 [258.8] | 20.38 [517.5] | | 6 | | | | | 20 |
| *H0900206S | | 5.00 [127.0] | | | | | | | -- | 4.38 [111.1] | | 4 | | | | | 4 |
| *H0900306S | | 7.00 [177.8] | | | | | | | -- | 6.38 [161.9] | | 4 | | | | | 6 |
| *H0900406S | 1.75 | 9.00 [228.6] | 0.88 | 1.50 | 2.00 | 0.25 | 1.25 | 0.31 | -- | 8.38 [212.7] | 0.28 | 4 | 1/2 | -8 | 3/8 | -6 | 8 |
| *H0900606S | [44.5] | 13.00 [330.2] | [22.2] | [38.1] | [50.8] | [6.4] | [31.8] | [7.9] | 6.19 [157.2] | 12.38 [314.3] | [7.1] | 6 | | | | | 12 |
| *H0900806S | | 17.00 [431.8] | | | | | | | 8.19 [208.0] | 16.38 [415.9] | | 6 | | | | | 16 |
| *H0901006S | | 21.00 [533.4] | | | | | | | 10.19 [258.8] | 20.38 [517.5] | | 6 | | | | | 20 |
| *H0900208P | | 5.38 [136.5] | | | | | | | -- | 4.75 [120.7] | | 4 | | | | | 4 |
| *H0900308P | | 7.75 [196.9] | | | | | | | -- | 7.13 [181.0] | | 4 | | | | | 6 |
| *H0900408P | 2.00 | 10.13 [257.2] | 1.00 | 1.50 | 2.38 | 0.25 | 1.50 | 0.31 | -- | 9.50 [241.3] | 0.28 | 4 | 3/4 | -12 | 1/2 | -8 | 8 |
| *H0900608P | [50.8] | 14.88 [377.8] | [25.4] | [38.1] | [60.3] | [6.4] | [38.1] | [7.9] | 7.13 [181.0] | 14.25 [362.0] | [7.1] | 6 | | | | | 12 |
| *H0900808P | | 19.63 [498.5] | | | | | | | 9.50 [241.3] | 19.00 [482.6] | | 6 | | | | | 16 |
| *H0901008P | | 24.38 [619.1] | | | | | | | 11.88 [301.6] | 23.75 [603.3] | | 6 | | | | | 20 |
| *H0900208S | | 5.38 [136.5] | | | | | | | -- | 4.75 [120.7] | | 4 | | | | | 4 |
| *H0900308S | | 7.75 [196.9] | | | | | | | -- | 7.13 [181.0] | | 4 | | | | | 6 |
| *H0900408S | 2.25 | 10.13 [257.2] | 1.13 | 1.50 | 2.38 | 0.25 | 1.75 | 0.31 | -- | 9.50 [241.3] | 0.28 | 4 | 3/4 | -12 | 1/2 | -8 | 8 |
| *H0900608S | [57.2] | 14.88 [377.8] | [28.6] | [38.1] | [60.3] | [6.4] | [44.5] | [7.9] | 7.13 [181.0] | 14.25 [362.0] | [7.1] | 6 | | | | | 12 |
| *H0900808S | | 19.63 [498.5] | | | | | | | 9.50 [241.3] | 19.00 [482.6] | | 6 | | | | | 16 |
| *H0901008S | | 24.38 [619.1] | | | | | | | 11.88 [301.6] | 23.75 [603.3] | | 6 | | | | | 20 |
| *H0900212* | | 6.88 [174.6] | | | | | | | -- | 6.13 [155.6] | | 4 | | | | | 4 |
| *H0900312* | | 10.13 [257.2] | | | | | | | -- | 9.38 [238.1] | | 4 | | | | | 6 |
| *H0900412* | 2.50 | 13.38 [339.7] | 1.25 | 1.81 | 3.25 | 0.28 | 1.94 | 0.38 | -- | 12.63 [320.7] | 0.34 | 4 | 1" | -16 | 3/4 | -12 | 8 |
| *H0900612* | [63.5] | 19.88 [504.8] | [31.8] | [46.0] | [82.6] | [7.1] | [49.2] | [9.5] | 9.56 [242.9] | 19.13 [485.8] | [8.7] | 6 | | | | | 12 |
| *H0900812* | | 26.38 [669.9] | | | | | | | 12.81 [325.4] | 25.63 [650.9] | | 6 | | | | | 16 |
| *H0901012* | | 32.88 [835.0] | | | | | | | 16.06 [408.0] | 32.13 [816.0] | | 6 | | | | | 20 |
| *H0900216* | | 7.75 [197.0] | | | | | | | -- | 7.00 [177.8] | | 4 | | | | | 4 |
| *H0900316* | | 11.50 [292.1] | | | | | | | -- | 10.75 [273.1] | | 4 | | | | | 6 |
| *H0900416* | 3.00 | 15.25 [387.4] | 1.50 | 2.00 | 3.75 | 0.34 | 2.31 | 0.38 | -- | 14.50 [368.3] | 0.41 | 4 | 1-1/4 | -20 | 1" | -16 | 8 |
| *H0900616* | [76.2] | 22.75 [577.9] | [38.1] | [50.8] | [95.3] | [8.7] | [58.7] | [9.5] | 11.00 [279.4] | 22.00 [558.8] | [10.3] | 6 | | | | | 12 |
| *H0900816* | | 30.25 [768.4] | | | | | | | 14.75 [374.7] | 29.50 [749.3] | | 6 | | | | | 16 |
| *H0901016* | | 37.75 [958.9] | | | | | | | 18.50 [469.9] | 37.00 [939.8] | | 6 | | | | | 20 |
| *H0900220* | | 8.50 [215.9] | | | | | | | -- | 7.50 [190.5] | | 4 | | | | | 4 |
| *H0900320* | | 12.50 [317.5] | | | | | | | -- | 11.50 [292.1] | | 4 | | | | | 6 |
| *H0900420* | 3.50 | 16.50 [419.1] | 1.75 | 2.25 | 4.00 | 0.41 | 2.69 | 0.50 | -- | 15.50 [393.7] | 0.53 | 4 | 1-1/2 | -24 | 1-1/4 | -20 | 8 |
| *H0900620* | [88.9] | 24.50 [622.3] | [44.5] | [57.2] | [101.6] | [10.3] | [68.3] | [12.7] | 11.75 [298.5] | 23.50 [596.9] | [13.5] | 6 | | | | | 12 |
| *H0900820* | | 32.50 [825.5] | | | | | | | 15.75 [400.1] | 31.50 [800.1] | | 6 | | | | | 16 |
| *H0900224P | | 10.00 [254.0] | | | | | | | -- | 9.00 [228.6] | | 4 | | | | | 4 |
| *H0900324P | | 15.00 [381.0] | | | | | | | -- | 14.00 [355.6] | 0.53 | 4 | | | | | 6 |
| *H0900424P | 4.00 | 20.00 [508.0] | 2.00 | 2.50 | 5.00 | 0.41 | 3.19 | 0.50 | 9.50 [241.3] | 19.00 [482.6] | [13.5] | 4 | 2" | -32 | 1-1/2 | -24 | 8 |
| *H0900624P | [101.6] | 30.00 [762.0] | [50.8] | [63.5] | [127.0] | [10.3] | [81.0] | [12.7] | 14.50 [368.3] | 29.00 [736.6] | | 6 | | | | | 12 |
| *H0900224S | | 10.00 [254.0] | | | | | | | -- | 9.00 [228.6] | | 4 | | | | | 4 |
| *H0900324S | | 15.00 [381.0] | | | | | | | -- | 14.00 [355.6] | 0.53 | 4 | | | | | 6 |
| *H0900424S | 4.50 | 20.00 [508.0] | 2.25 | 2.50 | 5.00 | 0.41 | 3.69 | 0.50 | 9.50 [241.3] | 19.00 [482.6] | [13.5] | 4 | 2" | -32 | 1-1/2 | -24 | 8 |
| *H0900624S | [114.3] | 30.00 [762.0] | [57.2] | [63.5] | [127.0] | [10.3] | [93.7] | [12.7] | 14.50 [368.3] | 29.00 [736.6] | | 6 | | | | | 12 |

Custom Products
 Standard Manifolds
 Cover Plates
 Valve Adaptors
 Subplates
 Servo Valve Subplates
 Tapping Plates
 DIN Cartridge Valve Bodies
 Header and Junction Blocks
 Technical Information

Header Manifolds - 180° Design

Header block mounting hardware is supplied.
See page 179 for itemized list.



Specifications, descriptions, and dimensional data are subject to correction or change without notice or incurring obligation. Download latest catalog page revisions at www.damanifolds.com.

Ordering Information

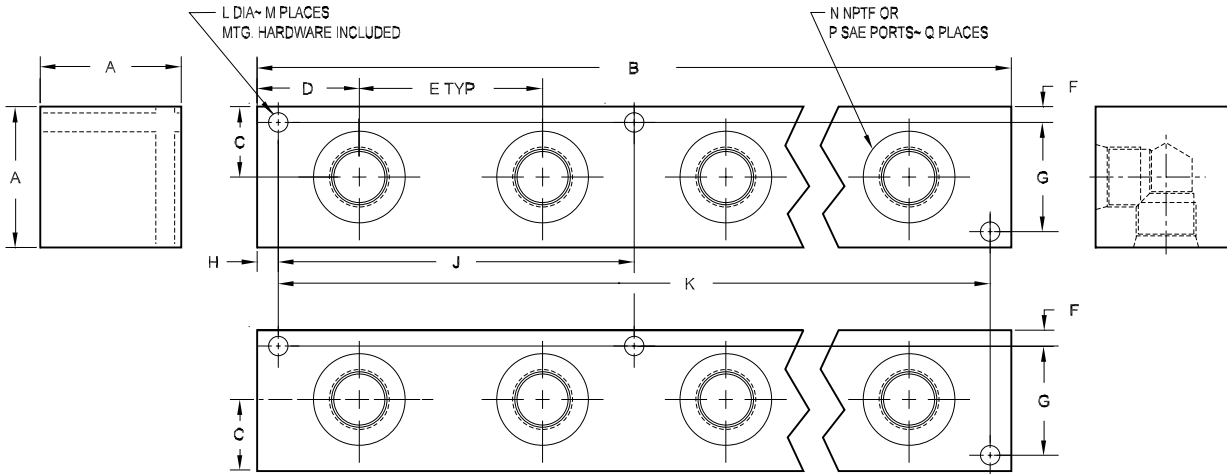
| Material | Product Type | Side Port Layout | No. of Stations | Side Port Threads | | | | | | | | | | | | | | | | | | | | | | | | | | | | | | | | | | | | | | | | | | | | | | | | | |
|--|--|------------------|------------------------------|--|----------|--|---|--|---|--------------|--|----------|--------------|---|------------------|--|------------|------------------------------|---|-----------------|--|-----------|--|-----------|-----------|-----------|-----------|-----------|---|-------------------|--|--|--|------------|----------------------|------------|------------------------------|------------|------------|------------|------------|------------|------------|------------|------------|------------|------------|------------|------------|---|--|--|--|
| <table border="1"> <thead> <tr> <th colspan="2">Material</th> </tr> </thead> <tbody> <tr> <td>A</td> <td>Aluminum - 6061-T6 3000† psi • 20.7 MPa</td> </tr> <tr> <td>D</td> <td>Ductile Iron - D4512 5000† psi • 34.5 MPa</td> </tr> <tr> <td colspan="2">† Working pressure should be considered in accordance with ISO 4413 to determine appropriate material type.</td> </tr> </tbody> </table> | Material | | A | Aluminum - 6061-T6 3000† psi • 20.7 MPa | D | Ductile Iron - D4512 5000† psi • 34.5 MPa | † Working pressure should be considered in accordance with ISO 4413 to determine appropriate material type. | | <table border="1"> <thead> <tr> <th colspan="2">Product Type</th> </tr> </thead> <tbody> <tr> <td>H</td> <td>Header Block</td> </tr> </tbody> </table> | Product Type | | H | Header Block | <table border="1"> <thead> <tr> <th colspan="2">Side Port Layout</th> </tr> </thead> <tbody> <tr> <td>180</td> <td>Ports out two opposite sides</td> </tr> </tbody> </table> | Side Port Layout | | 180 | Ports out two opposite sides | <table border="1"> <thead> <tr> <th colspan="2">No. of Stations</th> </tr> </thead> <tbody> <tr> <td>02</td> <td rowspan="6">Check chart on next page to verify station-port size combinations and stock status</td> </tr> <tr> <td>03</td> </tr> <tr> <td>04</td> </tr> <tr> <td>06</td> </tr> <tr> <td>08</td> </tr> <tr> <td>10</td> </tr> </tbody> </table> | No. of Stations | | 02 | Check chart on next page to verify station-port size combinations and stock status | 03 | 04 | 06 | 08 | 10 | <table border="1"> <thead> <tr> <th colspan="4">Side Port Threads</th> </tr> </thead> <tbody> <tr> <td>04P</td> <td rowspan="6">NPTF ANSI B1.20.3</td> <td>04S</td> <td rowspan="6">SAE ISO 11926 SAE 1926</td> </tr> <tr> <td>06P</td> <td>06S</td> </tr> <tr> <td>08P</td> <td>08S</td> </tr> <tr> <td>12P</td> <td>12S</td> </tr> <tr> <td>16P</td> <td>16S</td> </tr> <tr> <td>20P</td> <td>20S</td> </tr> <tr> <td>24P</td> <td>24S</td> </tr> <tr> <td colspan="4">Check chart on next page to verify station-port size combinations</td> </tr> </tbody> </table> | Side Port Threads | | | | 04P | NPTF ANSI B1.20.3 | 04S | SAE ISO 11926 SAE 1926 | 06P | 06S | 08P | 08S | 12P | 12S | 16P | 16S | 20P | 20S | 24P | 24S | Check chart on next page to verify station-port size combinations | | | |
| Material | | | | | | | | | | | | | | | | | | | | | | | | | | | | | | | | | | | | | | | | | | | | | | | | | | | | | |
| A | Aluminum - 6061-T6 3000† psi • 20.7 MPa | | | | | | | | | | | | | | | | | | | | | | | | | | | | | | | | | | | | | | | | | | | | | | | | | | | | |
| D | Ductile Iron - D4512 5000† psi • 34.5 MPa | | | | | | | | | | | | | | | | | | | | | | | | | | | | | | | | | | | | | | | | | | | | | | | | | | | | |
| † Working pressure should be considered in accordance with ISO 4413 to determine appropriate material type. | | | | | | | | | | | | | | | | | | | | | | | | | | | | | | | | | | | | | | | | | | | | | | | | | | | | | |
| Product Type | | | | | | | | | | | | | | | | | | | | | | | | | | | | | | | | | | | | | | | | | | | | | | | | | | | | | |
| H | Header Block | | | | | | | | | | | | | | | | | | | | | | | | | | | | | | | | | | | | | | | | | | | | | | | | | | | | |
| Side Port Layout | | | | | | | | | | | | | | | | | | | | | | | | | | | | | | | | | | | | | | | | | | | | | | | | | | | | | |
| 180 | Ports out two opposite sides | | | | | | | | | | | | | | | | | | | | | | | | | | | | | | | | | | | | | | | | | | | | | | | | | | | | |
| No. of Stations | | | | | | | | | | | | | | | | | | | | | | | | | | | | | | | | | | | | | | | | | | | | | | | | | | | | | |
| 02 | Check chart on next page to verify station-port size combinations and stock status | | | | | | | | | | | | | | | | | | | | | | | | | | | | | | | | | | | | | | | | | | | | | | | | | | | | |
| 03 | | | | | | | | | | | | | | | | | | | | | | | | | | | | | | | | | | | | | | | | | | | | | | | | | | | | | |
| 04 | | | | | | | | | | | | | | | | | | | | | | | | | | | | | | | | | | | | | | | | | | | | | | | | | | | | | |
| 06 | | | | | | | | | | | | | | | | | | | | | | | | | | | | | | | | | | | | | | | | | | | | | | | | | | | | | |
| 08 | | | | | | | | | | | | | | | | | | | | | | | | | | | | | | | | | | | | | | | | | | | | | | | | | | | | | |
| 10 | | | | | | | | | | | | | | | | | | | | | | | | | | | | | | | | | | | | | | | | | | | | | | | | | | | | | |
| Side Port Threads | | | | | | | | | | | | | | | | | | | | | | | | | | | | | | | | | | | | | | | | | | | | | | | | | | | | | |
| 04P | NPTF ANSI B1.20.3 | 04S | SAE ISO 11926 SAE 1926 | | | | | | | | | | | | | | | | | | | | | | | | | | | | | | | | | | | | | | | | | | | | | | | | | | |
| 06P | | 06S | | | | | | | | | | | | | | | | | | | | | | | | | | | | | | | | | | | | | | | | | | | | | | | | | | | |
| 08P | | 08S | | | | | | | | | | | | | | | | | | | | | | | | | | | | | | | | | | | | | | | | | | | | | | | | | | | |
| 12P | | 12S | | | | | | | | | | | | | | | | | | | | | | | | | | | | | | | | | | | | | | | | | | | | | | | | | | | |
| 16P | | 16S | | | | | | | | | | | | | | | | | | | | | | | | | | | | | | | | | | | | | | | | | | | | | | | | | | | |
| 20P | | 20S | | | | | | | | | | | | | | | | | | | | | | | | | | | | | | | | | | | | | | | | | | | | | | | | | | | |
| 24P | 24S | | | | | | | | | | | | | | | | | | | | | | | | | | | | | | | | | | | | | | | | | | | | | | | | | | | | |
| Check chart on next page to verify station-port size combinations | | | | | | | | | | | | | | | | | | | | | | | | | | | | | | | | | | | | | | | | | | | | | | | | | | | | | |

Header Manifolds - 180° Design

| PART NO. | A | B | C | D | E | F | G | H | J | K | L | M | N | P | Q | R | S |
|------------|---------|---------------|--------|--------|---------|--------|--------|--------|---------------|---------------|--------|---|-------|-----|-------|-----|----|
| *H1800304* | | 5.63 [142.9] | | | | | | | -- | 5.00 [127.0] | | 4 | | | | | 6 |
| *H1800404* | | 7.38 [187.3] | | | | | | | -- | 6.75 [171.5] | | 4 | | | | | 8 |
| *H1800604* | 1.75 | 10.88 [276.2] | 0.88 | 1.06 | 1.75 | 0.25 | 1.25 | 0.31 | 5.13 [130.2] | 10.25 [260.4] | 0.28 | 4 | 3/8 | -6 | 1/4 | -4 | 12 |
| *H1800804* | [44.5] | 14.38 [365.1] | [22.2] | [27.0] | [44.5] | [6.4] | [31.8] | [7.9] | 6.88 [174.6] | 13.75 [349.3] | [7.1] | 6 | | | | | 16 |
| *H1801004* | | 17.88 [454.0] | | | | | | | 8.63 [219.1] | 17.25 [438.2] | | 6 | | | | | 20 |
| *H1800206P | | 5.00 [127.0] | | | | | | | -- | 4.38 [111.1] | | 4 | | | | | 4 |
| *H1800306P | | 7.00 [177.8] | | | | | | | -- | 6.38 [161.9] | | 4 | | | | | 6 |
| *H1800406P | 2.00 | 9.00 [228.6] | 1.00 | 1.50 | 2.00 | 0.25 | 1.50 | 0.31 | -- | 8.38 [212.7] | 0.28 | 4 | 1/2 | -8 | 3/8 | -6 | 8 |
| *H1800606P | [50.8] | 13.00 [330.2] | [25.4] | [38.1] | [50.8] | [6.4] | [38.1] | [7.9] | 6.19 [157.2] | 12.38 [314.3] | [7.1] | 6 | | | | | 12 |
| *H1800806P | | 17.00 [431.8] | | | | | | | 8.19 [208.0] | 16.38 [415.9] | | 6 | | | | | 16 |
| *H1801006P | | 21.00 [533.4] | | | | | | | 10.19 [258.8] | 20.38 [517.5] | | 6 | | | | | 20 |
| *H1800206S | | 5.00 [127.0] | | | | | | | -- | 4.38 [111.1] | | 4 | | | | | 4 |
| *H1800306S | | 7.00 [177.8] | | | | | | | -- | 6.38 [161.9] | | 4 | | | | | 6 |
| *H1800406S | 1.75 | 9.00 [228.6] | 0.88 | 1.50 | 2.00 | 0.25 | 1.25 | 0.31 | -- | 8.38 [212.7] | 0.28 | 4 | 1/2 | -8 | 3/8 | -6 | 8 |
| *H1800606S | [44.5] | 13.00 [330.2] | [22.2] | [38.1] | [50.8] | [6.4] | [31.8] | [7.9] | 6.19 [157.2] | 12.38 [314.3] | [7.1] | 6 | | | | | 12 |
| *H1800806S | | 17.00 [431.8] | | | | | | | 8.19 [208.0] | 16.38 [415.9] | | 6 | | | | | 16 |
| *H1801006S | | 21.00 [533.4] | | | | | | | 10.19 [258.8] | 20.38 [517.5] | | 6 | | | | | 20 |
| *H1800208P | | 5.38 [136.5] | | | | | | | -- | 4.75 [120.7] | | 4 | | | | | 4 |
| *H1800308P | | 7.75 [196.9] | | | | | | | -- | 7.13 [181.0] | | 4 | | | | | 6 |
| *H1800408P | 2.00 | 10.13 [257.2] | 1.00 | 1.50 | 2.38 | 0.25 | 1.50 | 0.31 | -- | 9.50 [241.3] | 0.28 | 4 | 3/4 | -12 | 1/2 | -8 | 8 |
| *H1800608P | [50.8] | 14.88 [377.8] | [25.4] | [38.1] | [60.3] | [6.4] | [38.1] | [7.9] | 7.13 [181.0] | 14.25 [362.0] | [7.1] | 6 | | | | | 12 |
| *H1800808P | | 19.63 [498.5] | | | | | | | 9.50 [241.3] | 19.00 [482.6] | | 6 | | | | | 16 |
| *H1801008P | | 24.38 [619.1] | | | | | | | 11.88 [301.6] | 23.75 [603.3] | | 6 | | | | | 20 |
| *H1800208S | | 5.38 [136.5] | | | | | | | -- | 4.75 [120.7] | | 4 | | | | | 4 |
| *H1800308S | | 7.75 [196.9] | | | | | | | -- | 7.13 [181.0] | | 4 | | | | | 6 |
| *H1800408S | 2.25 | 10.13 [257.2] | 1.13 | 1.50 | 2.38 | 0.25 | 1.75 | 0.31 | -- | 9.50 [241.3] | 0.28 | 4 | 3/4 | -12 | 1/2 | -8 | 8 |
| *H1800608S | [57.2] | 14.88 [377.8] | [28.6] | [38.1] | [60.3] | [6.4] | [44.5] | [7.9] | 7.13 [181.0] | 14.25 [362.0] | [7.1] | 6 | | | | | 12 |
| *H1800808S | | 19.63 [498.5] | | | | | | | 9.50 [241.3] | 19.00 [482.6] | | 6 | | | | | 16 |
| *H1801008S | | 24.38 [619.1] | | | | | | | 11.88 [301.6] | 23.75 [603.3] | | 6 | | | | | 20 |
| *H1800212* | | 6.88 [174.6] | | | | | | | -- | 6.13 [155.6] | | 4 | | | | | 4 |
| *H1800312* | | 10.13 [257.2] | | | | | | | -- | 9.38 [238.1] | | 4 | | | | | 6 |
| *H1800412* | 2.50 | 13.38 [339.7] | 1.25 | 1.81 | 3.25 | 0.28 | 1.94 | 0.38 | -- | 12.63 [320.7] | 0.34 | 4 | 1" | -16 | 3/4 | -12 | 8 |
| *H1800612* | [63.5] | 19.88 [504.8] | [31.8] | [46.0] | [82.6] | [7.1] | [49.2] | [9.5] | 9.56 [242.9] | 19.13 [485.8] | [8.7] | 6 | | | | | 12 |
| *H1800812* | | 26.38 [669.9] | | | | | | | 12.81 [325.4] | 25.63 [650.9] | | 6 | | | | | 16 |
| *H1801012* | | 32.88 [835.0] | | | | | | | 16.06 [408.0] | 32.13 [816.0] | | 6 | | | | | 20 |
| *H1800216* | | 7.75 [197.0] | | | | | | | -- | 7.00 [177.8] | | 4 | | | | | 4 |
| *H1800316* | | 11.50 [292.1] | | | | | | | -- | 10.75 [273.1] | | 4 | | | | | 6 |
| *H1800416* | 3.00 | 15.25 [387.4] | 1.50 | 2.00 | 3.75 | 0.34 | 2.31 | 0.38 | -- | 14.50 [368.3] | 0.41 | 4 | 1-1/4 | -20 | 1" | -16 | 8 |
| *H1800616* | [76.2] | 22.75 [577.9] | [38.1] | [50.8] | [95.3] | [8.7] | [58.7] | [9.5] | 11.00 [279.4] | 22.00 [558.8] | [10.3] | 6 | | | | | 12 |
| *H1800816* | | 30.25 [768.4] | | | | | | | 14.75 [374.7] | 29.50 [749.3] | | 6 | | | | | 16 |
| *H1801016* | | 37.75 [958.9] | | | | | | | 18.50 [469.9] | 37.00 [939.8] | | 6 | | | | | 20 |
| *H1800220* | | 8.50 [215.9] | | | | | | | -- | 7.50 [190.5] | | 4 | | | | | 4 |
| *H1800320* | | 12.50 [317.5] | | | | | | | -- | 11.50 [292.1] | | 4 | | | | | 6 |
| *H1800420* | 3.50 | 16.50 [419.1] | 1.75 | 2.25 | 4.00 | 0.41 | 2.69 | 0.50 | -- | 15.50 [393.7] | 0.53 | 4 | 1-1/2 | -24 | 1-1/4 | -20 | 8 |
| *H1800620* | [88.9] | 24.50 [622.3] | [44.5] | [57.2] | [101.6] | [10.3] | [68.3] | [12.7] | 11.75 [298.5] | 23.50 [596.9] | [13.5] | 6 | | | | | 12 |
| *H1800820* | | 32.50 [825.5] | | | | | | | 15.75 [400.1] | 31.50 [800.1] | | 6 | | | | | 16 |
| *H1800224P | | 10.00 [254.0] | | | | | | | -- | 9.00 [228.6] | | 4 | | | | | 4 |
| *H1800324P | | 15.00 [381.0] | | | | | | | -- | 14.00 [355.6] | 0.53 | 4 | | | | | 6 |
| *H1800424P | 4.00 | 20.00 [508.0] | 2.00 | 2.50 | 5.00 | 0.41 | 3.19 | 0.50 | 9.50 [241.3] | 19.00 [482.6] | [13.5] | 4 | 2" | -32 | 1-1/2 | -24 | 8 |
| *H1800624P | [101.6] | 30.00 [762.0] | [50.8] | [63.5] | [127.0] | [10.3] | [81.0] | [12.7] | 14.50 [368.3] | 29.00 [736.6] | | 6 | | | | | 12 |
| *H1800224S | | 10.00 [254.0] | | | | | | | -- | 9.00 [228.6] | | 4 | | | | | 4 |
| *H1800324S | | 15.00 [381.0] | | | | | | | -- | 14.00 [355.6] | 0.53 | 4 | | | | | 6 |
| *H1800424S | 4.50 | 20.00 [508.0] | 2.25 | 2.50 | 5.00 | 0.41 | 3.69 | 0.50 | 9.50 [241.3] | 19.00 [482.6] | [13.5] | 4 | 2" | -32 | 1-1/2 | -24 | 8 |
| *H1800624S | [114.3] | 30.00 [762.0] | [57.2] | [63.5] | [127.0] | [10.3] | [93.7] | [12.7] | 14.50 [368.3] | 29.00 [736.6] | | 6 | | | | | 12 |

Junction Manifolds - 90° Design

Junction block mounting hardware is supplied.
See page 179 for itemized list.



Specifications, descriptions, and dimensional data are subject to correction or change without notice or incurring obligation. Download latest catalog page revisions at www.damanifolds.com.

Ordering Information

| Material | Product Type | Side Port Layout | No. of Stations | Side Port Threads | | | | | | | | | | | | | | | | | | | | | | | | | | | | | | | | | | | | | | | | | | | | | | | |
|---|--|---|------------------------------|--|----------|--|--|--|---|--------------|--|----------|----------------|---|------------------|--|------------|------------------------------|---|-----------------|--|-----------|--|-----------|-----------|-----------|-----------|-----------|--|-------------------|--|--|--|------------|----------------------|------------|------------------------------|------------|------------|------------|------------|------------|------------|------------|------------|------------|------------|------------|------------|---|--|
| <table border="1"> <thead> <tr> <th colspan="2">Material</th> </tr> </thead> <tbody> <tr> <td>A</td> <td>Aluminum - 6061-T6 3000[†] psi • 20.7 MPa</td> </tr> <tr> <td>D</td> <td>Ductile Iron - D4512 5000[†] psi • 34.5 MPa</td> </tr> <tr> <td colspan="2"> [†] Working pressure should be considered in accordance with ISO 4413 to determine appropriate material type. </td> </tr> </tbody> </table> | Material | | A | Aluminum - 6061-T6 3000 [†] psi • 20.7 MPa | D | Ductile Iron - D4512 5000 [†] psi • 34.5 MPa | [†] Working pressure should be considered in accordance with ISO 4413 to determine appropriate material type. | | <table border="1"> <thead> <tr> <th colspan="2">Product Type</th> </tr> </thead> <tbody> <tr> <td>J</td> <td>Junction Block</td> </tr> </tbody> </table> | Product Type | | J | Junction Block | <table border="1"> <thead> <tr> <th colspan="2">Side Port Layout</th> </tr> </thead> <tbody> <tr> <td>090</td> <td>Ports out two adjacent sides</td> </tr> </tbody> </table> | Side Port Layout | | 090 | Ports out two adjacent sides | <table border="1"> <thead> <tr> <th colspan="2">No. of Stations</th> </tr> </thead> <tbody> <tr> <td>02</td> <td rowspan="6">Check chart on next page to verify station-port size combinations and stock status</td> </tr> <tr> <td>03</td> </tr> <tr> <td>04</td> </tr> <tr> <td>06</td> </tr> <tr> <td>08</td> </tr> <tr> <td>10</td> </tr> </tbody> </table> | No. of Stations | | 02 | Check chart on next page to verify station-port size combinations and stock status | 03 | 04 | 06 | 08 | 10 | <table border="1"> <thead> <tr> <th colspan="4">Side Port Threads</th> </tr> </thead> <tbody> <tr> <td>04P</td> <td rowspan="6">NPTF ANSI B1.20.3</td> <td>04S</td> <td rowspan="6">SAE ISO 11926 SAE 1926</td> </tr> <tr> <td>06P</td> <td>06S</td> </tr> <tr> <td>08P</td> <td>08S</td> </tr> <tr> <td>12P</td> <td>12S</td> </tr> <tr> <td>16P</td> <td>16S</td> </tr> <tr> <td>20P</td> <td>20S</td> </tr> <tr> <td>24P</td> <td>24S</td> <td colspan="2">Check chart on next page to verify station-port size combinations</td> </tr> </tbody> </table> | Side Port Threads | | | | 04P | NPTF ANSI B1.20.3 | 04S | SAE ISO 11926 SAE 1926 | 06P | 06S | 08P | 08S | 12P | 12S | 16P | 16S | 20P | 20S | 24P | 24S | Check chart on next page to verify station-port size combinations | |
| Material | | | | | | | | | | | | | | | | | | | | | | | | | | | | | | | | | | | | | | | | | | | | | | | | | | | |
| A | Aluminum - 6061-T6 3000 [†] psi • 20.7 MPa | | | | | | | | | | | | | | | | | | | | | | | | | | | | | | | | | | | | | | | | | | | | | | | | | | |
| D | Ductile Iron - D4512 5000 [†] psi • 34.5 MPa | | | | | | | | | | | | | | | | | | | | | | | | | | | | | | | | | | | | | | | | | | | | | | | | | | |
| [†] Working pressure should be considered in accordance with ISO 4413 to determine appropriate material type. | | | | | | | | | | | | | | | | | | | | | | | | | | | | | | | | | | | | | | | | | | | | | | | | | | | |
| Product Type | | | | | | | | | | | | | | | | | | | | | | | | | | | | | | | | | | | | | | | | | | | | | | | | | | | |
| J | Junction Block | | | | | | | | | | | | | | | | | | | | | | | | | | | | | | | | | | | | | | | | | | | | | | | | | | |
| Side Port Layout | | | | | | | | | | | | | | | | | | | | | | | | | | | | | | | | | | | | | | | | | | | | | | | | | | | |
| 090 | Ports out two adjacent sides | | | | | | | | | | | | | | | | | | | | | | | | | | | | | | | | | | | | | | | | | | | | | | | | | | |
| No. of Stations | | | | | | | | | | | | | | | | | | | | | | | | | | | | | | | | | | | | | | | | | | | | | | | | | | | |
| 02 | Check chart on next page to verify station-port size combinations and stock status | | | | | | | | | | | | | | | | | | | | | | | | | | | | | | | | | | | | | | | | | | | | | | | | | | |
| 03 | | | | | | | | | | | | | | | | | | | | | | | | | | | | | | | | | | | | | | | | | | | | | | | | | | | |
| 04 | | | | | | | | | | | | | | | | | | | | | | | | | | | | | | | | | | | | | | | | | | | | | | | | | | | |
| 06 | | | | | | | | | | | | | | | | | | | | | | | | | | | | | | | | | | | | | | | | | | | | | | | | | | | |
| 08 | | | | | | | | | | | | | | | | | | | | | | | | | | | | | | | | | | | | | | | | | | | | | | | | | | | |
| 10 | | | | | | | | | | | | | | | | | | | | | | | | | | | | | | | | | | | | | | | | | | | | | | | | | | | |
| Side Port Threads | | | | | | | | | | | | | | | | | | | | | | | | | | | | | | | | | | | | | | | | | | | | | | | | | | | |
| 04P | NPTF ANSI B1.20.3 | 04S | SAE ISO 11926 SAE 1926 | | | | | | | | | | | | | | | | | | | | | | | | | | | | | | | | | | | | | | | | | | | | | | | | |
| 06P | | 06S | | | | | | | | | | | | | | | | | | | | | | | | | | | | | | | | | | | | | | | | | | | | | | | | | |
| 08P | | 08S | | | | | | | | | | | | | | | | | | | | | | | | | | | | | | | | | | | | | | | | | | | | | | | | | |
| 12P | | 12S | | | | | | | | | | | | | | | | | | | | | | | | | | | | | | | | | | | | | | | | | | | | | | | | | |
| 16P | | 16S | | | | | | | | | | | | | | | | | | | | | | | | | | | | | | | | | | | | | | | | | | | | | | | | | |
| 20P | | 20S | | | | | | | | | | | | | | | | | | | | | | | | | | | | | | | | | | | | | | | | | | | | | | | | | |
| 24P | 24S | Check chart on next page to verify station-port size combinations | | | | | | | | | | | | | | | | | | | | | | | | | | | | | | | | | | | | | | | | | | | | | | | | | |

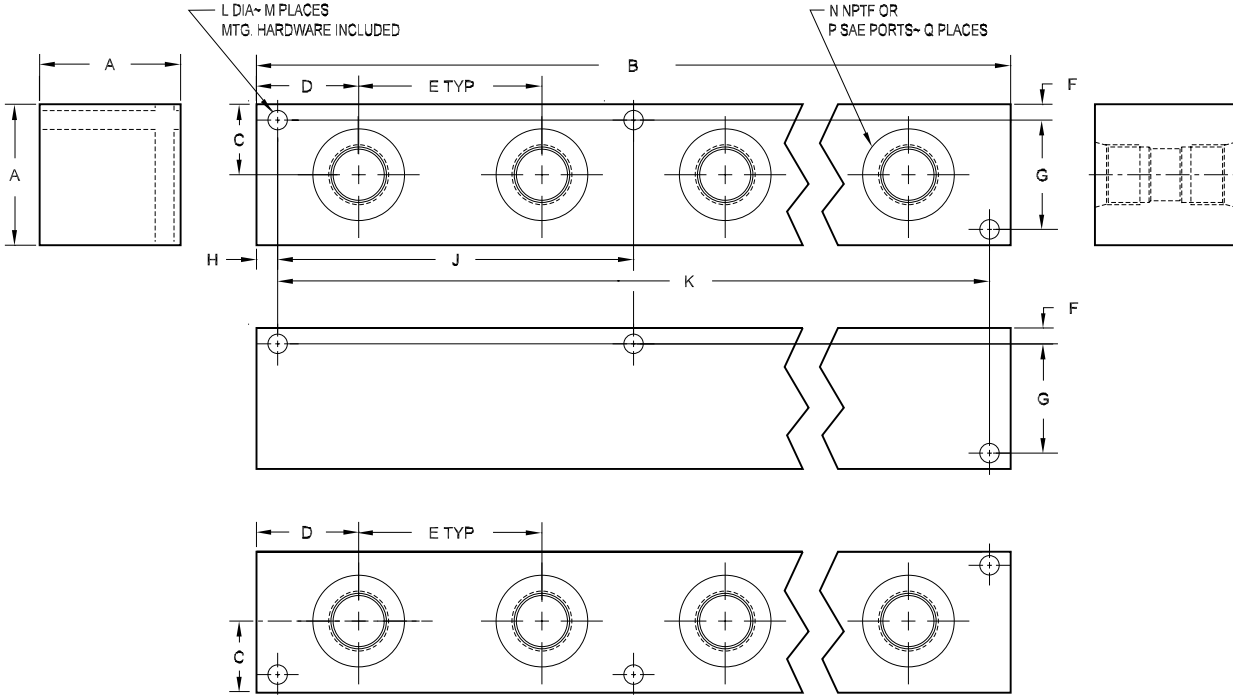
Junction Manifolds - 90° Design

| PART NO. | A | B | C | D | E | F | G | H | J | K | L | M | N | P | Q |
|------------|---------|---------------|--------|--------|---------|--------|--------|--------|---------------|---------------|--------|---|-------|-----|----|
| *J0900304* | | 5.63 [142.9] | | | | | | | -- | 5.00 [127.0] | | 4 | | | 6 |
| *J0900404* | 1.75 | 7.38 [187.3] | 0.88 | 1.06 | 1.75 | 0.25 | 1.25 | 0.31 | -- | 6.75 [171.5] | 0.28 | 4 | | | 8 |
| *J0900604* | [44.5] | 10.88 [276.2] | [22.2] | [27.0] | [44.5] | [6.4] | [31.8] | [7.9] | 5.13 [130.2] | 10.25 [260.4] | [7.1] | 6 | 1/4 | -4 | 12 |
| *J0900804* | | 14.38 [365.1] | | | | | | | 6.88 [174.6] | 13.75 [349.3] | | 6 | | | 16 |
| *J0901004* | | 17.88 [454.0] | | | | | | | 8.63 [219.1] | 17.25 [438.2] | | 6 | | | 20 |
| *J0900206* | | 5.00 [127.0] | | | | | | | -- | 4.38 [111.1] | | 4 | | | 4 |
| *J0900306* | | 7.00 [177.8] | | | | | | | -- | 6.38 [161.9] | | 4 | | | 6 |
| *J0900406* | 1.75 | 9.00 [228.6] | 0.88 | 1.50 | 2.00 | 0.25 | 1.25 | 0.31 | -- | 8.38 [212.7] | 0.28 | 4 | 3/8 | -6 | 8 |
| *J0900606* | [44.5] | 13.00 [330.2] | [22.2] | [38.1] | [50.8] | [6.4] | [31.8] | [7.9] | 6.19 [157.2] | 12.38 [314.3] | [7.1] | 6 | | | 12 |
| *J0900806* | | 17.00 [431.8] | | | | | | | 8.19 [208.0] | 16.38 [415.9] | | 6 | | | 16 |
| *J0901006* | | 21.00 [533.4] | | | | | | | 10.19 [258.8] | 20.38 [517.5] | | 6 | | | 20 |
| *J0900208* | | 5.38 [136.5] | | | | | | | -- | 4.75 [120.7] | | 4 | | | 4 |
| *J0900308* | | 7.75 [196.9] | | | | | | | -- | 7.13 [181.0] | | 4 | | | 6 |
| *J0900408* | 2.00 | 10.13 [257.2] | 1.00 | 1.50 | 2.38 | 0.25 | 1.50 | 0.31 | -- | 9.50 [241.3] | 0.28 | 4 | 1/2 | -8 | 8 |
| *J0900608* | [50.8] | 14.88 [377.8] | [25.4] | [38.1] | [60.3] | [6.4] | [38.1] | [7.9] | 7.13 [181.0] | 14.25 [362.0] | [7.1] | 6 | | | 12 |
| *J0900808* | | 19.63 [498.5] | | | | | | | 9.50 [241.3] | 19.00 [482.6] | | 6 | | | 16 |
| *J0901008* | | 24.38 [619.1] | | | | | | | 11.88 [301.6] | 23.75 [603.3] | | 6 | | | 20 |
| *J0900212* | | 6.88 [174.6] | | | | | | | -- | 6.13 [155.6] | | 4 | | | 4 |
| *J0900312* | | 10.13 [257.2] | | | | | | | -- | 9.38 [238.1] | | 4 | | | 6 |
| *J0900412* | 2.50 | 13.38 [339.7] | 1.25 | 1.81 | 3.25 | 0.28 | 1.94 | 0.38 | -- | 12.63 [320.7] | 0.34 | 4 | 3/4 | -12 | 8 |
| *J0900612* | [63.5] | 19.88 [504.8] | [31.8] | [46.0] | [82.6] | [7.1] | [49.2] | [9.5] | 9.56 [242.9] | 19.13 [485.8] | [8.7] | 6 | | | 12 |
| *J0900812* | | 26.38 [669.9] | | | | | | | 12.81 [325.4] | 25.63 [650.9] | | 6 | | | 16 |
| *J0901012* | | 32.88 [835.0] | | | | | | | 16.06 [408.0] | 32.13 [816.0] | | 6 | | | 20 |
| *J0900216* | | 7.75 [197.0] | | | | | | | -- | 7.00 [177.8] | | 4 | | | 4 |
| *J0900316* | | 11.50 [292.1] | | | | | | | -- | 10.75 [273.1] | | 4 | | | 6 |
| *J0900416* | 3.00 | 15.25 [387.4] | 1.50 | 2.00 | 3.75 | 0.34 | 2.31 | 0.38 | -- | 14.50 [368.3] | 0.41 | 4 | 1" | -16 | 8 |
| *J0900616* | [76.2] | 22.75 [577.9] | [38.1] | [50.8] | [95.3] | [8.7] | [58.7] | [9.5] | 11.00 [279.4] | 22.00 [558.8] | [10.3] | 6 | | | 12 |
| *J0900816* | | 30.25 [768.4] | | | | | | | 14.75 [374.7] | 29.50 [749.3] | | 6 | | | 16 |
| *J0901016* | | 37.75 [958.9] | | | | | | | 18.50 [469.9] | 37.00 [939.8] | | 6 | | | 20 |
| *J0900220* | | 8.50 [215.9] | | | | | | | -- | 7.50 [190.5] | | 4 | | | 4 |
| *J0900320* | 3.50 | 12.50 [317.5] | 1.75 | 2.25 | 4.00 | 0.41 | 2.69 | 0.50 | -- | 11.50 [292.1] | 0.53 | 4 | 1-1/4 | -20 | 6 |
| *J0900420* | [88.9] | 16.50 [419.1] | [44.5] | [57.2] | [101.6] | [10.3] | [68.3] | [12.7] | -- | 15.50 [393.7] | [13.5] | 4 | | | 8 |
| *J0900620* | | 24.50 [622.3] | | | | | | | 11.75 [298.5] | 23.50 [596.9] | | 6 | | | 12 |
| *J0900820* | | 32.50 [825.5] | | | | | | | 15.75 [400.1] | 31.50 [800.1] | | 6 | | | 16 |
| *J0900224* | | 10.00 [254.0] | | | | | | | -- | 9.00 [228.6] | | 4 | | | 4 |
| *J0900324* | 4.00 | 15.00 [381.0] | 2.00 | 2.50 | 5.00 | 0.41 | 3.19 | 0.50 | -- | 14.00 [355.6] | 0.53 | 4 | 1-1/2 | -24 | 6 |
| *J0900424* | [101.6] | 20.00 [508.0] | [50.8] | [63.5] | [127.0] | [10.3] | [81.0] | [12.7] | 9.50 [241.3] | 19.00 [482.6] | [13.5] | 6 | | | 8 |
| *J0900624* | | 30.00 [762.0] | | | | | | | 14.50 [368.3] | 29.00 [736.6] | | 6 | | | 12 |

Custom Products
 Standard Manifolds
 Cover Plates
 Valve Adaptors
 Subplates
 Servo Valve Subplates
 Tapping Plates
 DIN Cartridge Valve Bodies
 Header and Junction Blocks
 Technical Information

Junction Manifolds - 180° Design

Junction block mounting hardware is supplied.
See page 179 for itemized list.



Specifications, descriptions, and dimensional data are subject to correction or change without notice or incurring obligation. Download latest catalog page revisions at www.damanifolds.com.

Ordering Information

| Material | Product Type | Side Port Layout | No. of Stations | Side Port Threads | | | | | | | | | | | | | | | | | | | | | | | | | | | | | | | | | | | | | | | | | | | | | | | | | |
|--|---|------------------|------------------------------|--|----------|--|---|--|---|--------------|--|----------|----------------|---|------------------|--|------------|------------------------------|--|-----------------|--|-----------|---|-----------|-----------|-----------|-----------|-----------|---|-------------------|--|--|--|------------|----------------------|------------|------------------------------|------------|------------|------------|------------|------------|------------|------------|------------|------------|------------|------------|------------|---|--|--|--|
| <table border="1"> <thead> <tr> <th colspan="2">Material</th> </tr> </thead> <tbody> <tr> <td>A</td> <td>Aluminum - 6061-T6 3000† psi • 20.7 MPa</td> </tr> <tr> <td>D</td> <td>Ductile Iron - D4512 5000† psi • 34.5 MPa</td> </tr> <tr> <td colspan="2">† Working pressure should be considered in accordance with ISO 4413 to determine appropriate material type.</td> </tr> </tbody> </table> | Material | | A | Aluminum - 6061-T6 3000† psi • 20.7 MPa | D | Ductile Iron - D4512 5000† psi • 34.5 MPa | † Working pressure should be considered in accordance with ISO 4413 to determine appropriate material type. | | <table border="1"> <thead> <tr> <th colspan="2">Product Type</th> </tr> </thead> <tbody> <tr> <td>J</td> <td>Junction Block</td> </tr> </tbody> </table> | Product Type | | J | Junction Block | <table border="1"> <thead> <tr> <th colspan="2">Side Port Layout</th> </tr> </thead> <tbody> <tr> <td>180</td> <td>Ports out two opposite sides</td> </tr> </tbody> </table> | Side Port Layout | | 180 | Ports out two opposite sides | <table border="1"> <thead> <tr> <th colspan="2">No. of Stations</th> </tr> </thead> <tbody> <tr> <td>02</td> <td rowspan="6">Check chart on next page to verify station-port size combinations</td> </tr> <tr> <td>03</td> </tr> <tr> <td>04</td> </tr> <tr> <td>06</td> </tr> <tr> <td>08</td> </tr> <tr> <td>10</td> </tr> </tbody> </table> | No. of Stations | | 02 | Check chart on next page to verify station-port size combinations | 03 | 04 | 06 | 08 | 10 | <table border="1"> <thead> <tr> <th colspan="4">Side Port Threads</th> </tr> </thead> <tbody> <tr> <td>04P</td> <td rowspan="6">NPTF ANSI B1.20.3</td> <td>04S</td> <td rowspan="6">SAE ISO 11926 SAE 1926</td> </tr> <tr> <td>06P</td> <td>06S</td> </tr> <tr> <td>08P</td> <td>08S</td> </tr> <tr> <td>12P</td> <td>12S</td> </tr> <tr> <td>16P</td> <td>16S</td> </tr> <tr> <td>20P</td> <td>20S</td> </tr> <tr> <td>24P</td> <td>24S</td> </tr> <tr> <td colspan="4">Check chart on next page to verify station-port size combinations</td> </tr> </tbody> </table> | Side Port Threads | | | | 04P | NPTF ANSI B1.20.3 | 04S | SAE ISO 11926 SAE 1926 | 06P | 06S | 08P | 08S | 12P | 12S | 16P | 16S | 20P | 20S | 24P | 24S | Check chart on next page to verify station-port size combinations | | | |
| Material | | | | | | | | | | | | | | | | | | | | | | | | | | | | | | | | | | | | | | | | | | | | | | | | | | | | | |
| A | Aluminum - 6061-T6 3000† psi • 20.7 MPa | | | | | | | | | | | | | | | | | | | | | | | | | | | | | | | | | | | | | | | | | | | | | | | | | | | | |
| D | Ductile Iron - D4512 5000† psi • 34.5 MPa | | | | | | | | | | | | | | | | | | | | | | | | | | | | | | | | | | | | | | | | | | | | | | | | | | | | |
| † Working pressure should be considered in accordance with ISO 4413 to determine appropriate material type. | | | | | | | | | | | | | | | | | | | | | | | | | | | | | | | | | | | | | | | | | | | | | | | | | | | | | |
| Product Type | | | | | | | | | | | | | | | | | | | | | | | | | | | | | | | | | | | | | | | | | | | | | | | | | | | | | |
| J | Junction Block | | | | | | | | | | | | | | | | | | | | | | | | | | | | | | | | | | | | | | | | | | | | | | | | | | | | |
| Side Port Layout | | | | | | | | | | | | | | | | | | | | | | | | | | | | | | | | | | | | | | | | | | | | | | | | | | | | | |
| 180 | Ports out two opposite sides | | | | | | | | | | | | | | | | | | | | | | | | | | | | | | | | | | | | | | | | | | | | | | | | | | | | |
| No. of Stations | | | | | | | | | | | | | | | | | | | | | | | | | | | | | | | | | | | | | | | | | | | | | | | | | | | | | |
| 02 | Check chart on next page to verify station-port size combinations | | | | | | | | | | | | | | | | | | | | | | | | | | | | | | | | | | | | | | | | | | | | | | | | | | | | |
| 03 | | | | | | | | | | | | | | | | | | | | | | | | | | | | | | | | | | | | | | | | | | | | | | | | | | | | | |
| 04 | | | | | | | | | | | | | | | | | | | | | | | | | | | | | | | | | | | | | | | | | | | | | | | | | | | | | |
| 06 | | | | | | | | | | | | | | | | | | | | | | | | | | | | | | | | | | | | | | | | | | | | | | | | | | | | | |
| 08 | | | | | | | | | | | | | | | | | | | | | | | | | | | | | | | | | | | | | | | | | | | | | | | | | | | | | |
| 10 | | | | | | | | | | | | | | | | | | | | | | | | | | | | | | | | | | | | | | | | | | | | | | | | | | | | | |
| Side Port Threads | | | | | | | | | | | | | | | | | | | | | | | | | | | | | | | | | | | | | | | | | | | | | | | | | | | | | |
| 04P | NPTF ANSI B1.20.3 | 04S | SAE ISO 11926 SAE 1926 | | | | | | | | | | | | | | | | | | | | | | | | | | | | | | | | | | | | | | | | | | | | | | | | | | |
| 06P | | 06S | | | | | | | | | | | | | | | | | | | | | | | | | | | | | | | | | | | | | | | | | | | | | | | | | | | |
| 08P | | 08S | | | | | | | | | | | | | | | | | | | | | | | | | | | | | | | | | | | | | | | | | | | | | | | | | | | |
| 12P | | 12S | | | | | | | | | | | | | | | | | | | | | | | | | | | | | | | | | | | | | | | | | | | | | | | | | | | |
| 16P | | 16S | | | | | | | | | | | | | | | | | | | | | | | | | | | | | | | | | | | | | | | | | | | | | | | | | | | |
| 20P | | 20S | | | | | | | | | | | | | | | | | | | | | | | | | | | | | | | | | | | | | | | | | | | | | | | | | | | |
| 24P | 24S | | | | | | | | | | | | | | | | | | | | | | | | | | | | | | | | | | | | | | | | | | | | | | | | | | | | |
| Check chart on next page to verify station-port size combinations | | | | | | | | | | | | | | | | | | | | | | | | | | | | | | | | | | | | | | | | | | | | | | | | | | | | | |

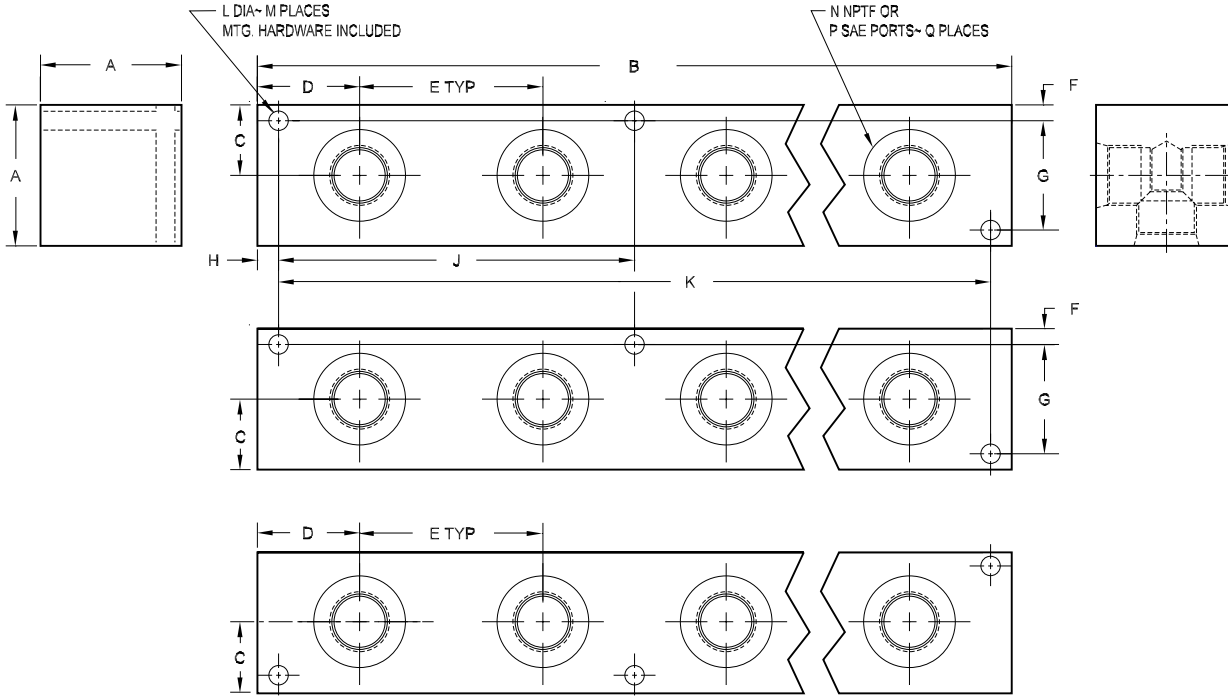
Junction Manifolds - 180° Design

| PART NO. | A | B | C | D | E | F | G | H | J | K | L | M | N | P | Q |
|------------|---------|---------------|--------|--------|---------|--------|--------|--------|---------------|---------------|--------|---|-------|-----|----|
| *J1800304* | | 5.63 [142.9] | | | | | | | -- | 5.00 [127.0] | | 4 | | | 6 |
| *J1800404* | 1.75 | 7.38 [187.3] | | | | | | | -- | 6.75 [171.5] | | 4 | | | 8 |
| *J1800604* | [44.5] | 10.88 [276.2] | 0.88 | 1.06 | 1.75 | 0.25 | 1.25 | 0.31 | 5.13 [130.2] | 10.25 [260.4] | 0.28 | 6 | 1/4 | -4 | 12 |
| *J1800804* | | 14.38 [365.1] | [22.2] | [27.0] | [44.5] | [6.4] | [31.8] | [7.9] | 6.88 [174.6] | 13.75 [349.3] | [7.1] | 6 | | | 16 |
| *J1801004* | | 17.88 [454.0] | | | | | | | 8.63 [219.1] | 17.25 [438.2] | | 6 | | | 20 |
| *J1800206* | | 5.00 [127.0] | | | | | | | -- | 4.38 [111.1] | | 4 | | | 4 |
| *J1800306* | | 7.00 [177.8] | | | | | | | -- | 6.38 [161.9] | | 4 | | | 6 |
| *J1800406* | 1.75 | 9.00 [228.6] | 0.88 | 1.50 | 2.00 | 0.25 | 1.25 | 0.31 | -- | 8.38 [212.7] | 0.28 | 4 | 3/8 | -6 | 8 |
| *J1800606* | [44.5] | 13.00 [330.2] | [22.2] | [38.1] | [50.8] | [6.4] | [31.8] | [7.9] | 6.19 [157.2] | 12.38 [314.3] | [7.1] | 6 | | | 12 |
| *J1800806* | | 17.00 [431.8] | | | | | | | 8.19 [208.0] | 16.38 [415.9] | | 6 | | | 16 |
| *J1801006* | | 21.00 [533.4] | | | | | | | 10.19 [258.8] | 20.38 [517.5] | | 6 | | | 20 |
| *J1800208* | | 5.38 [136.5] | | | | | | | -- | 4.75 [120.7] | | 4 | | | 4 |
| *J1800308* | | 7.75 [196.9] | | | | | | | -- | 7.13 [181.0] | | 4 | | | 6 |
| *J1800408* | 2.00 | 10.13 [257.2] | 1.00 | 1.50 | 2.38 | 0.25 | 1.50 | 0.31 | -- | 9.50 [241.3] | 0.28 | 4 | 1/2 | -8 | 8 |
| *J1800608* | [50.8] | 14.88 [377.8] | [25.4] | [38.1] | [60.3] | [6.4] | [38.1] | [7.9] | 7.13 [181.0] | 14.25 [362.0] | [7.1] | 6 | | | 12 |
| *J1800808* | | 19.63 [498.5] | | | | | | | 9.50 [241.3] | 19.00 [482.6] | | 6 | | | 16 |
| *J1801008* | | 24.38 [619.1] | | | | | | | 11.88 [301.6] | 23.75 [603.3] | | 6 | | | 20 |
| *J1800212* | | 6.88 [174.6] | | | | | | | -- | 6.13 [155.6] | | 4 | | | 4 |
| *J1800312* | | 10.13 [257.2] | | | | | | | -- | 9.38 [238.1] | | 4 | | | 6 |
| *J1800412* | 2.50 | 13.38 [339.7] | 1.25 | 1.81 | 3.25 | 0.28 | 1.94 | 0.38 | -- | 12.63 [320.7] | 0.34 | 4 | 3/4 | -12 | 8 |
| *J1800612* | [63.5] | 19.88 [504.8] | [31.8] | [46.0] | [82.6] | [7.1] | [49.2] | [9.5] | 9.56 [242.9] | 19.13 [485.8] | [8.7] | 6 | | | 12 |
| *J1800812* | | 26.38 [669.9] | | | | | | | 12.81 [325.4] | 25.63 [650.9] | | 6 | | | 16 |
| *J1801012* | | 32.88 [835.0] | | | | | | | 16.06 [408.0] | 32.13 [816.0] | | 6 | | | 20 |
| *J1800216* | | 7.75 [197.0] | | | | | | | -- | 7.00 [177.8] | | 4 | | | 4 |
| *J1800316* | | 11.50 [292.1] | | | | | | | -- | 10.75 [273.1] | | 4 | | | 6 |
| *J1800416* | 3.00 | 15.25 [387.4] | 1.50 | 2.00 | 3.75 | 0.34 | 2.31 | 0.38 | -- | 14.50 [368.3] | 0.41 | 4 | 1" | -16 | 8 |
| *J1800616* | [76.2] | 22.75 [577.9] | [38.1] | [50.8] | [95.3] | [8.7] | [58.7] | [9.5] | 11.00 [279.4] | 22.00 [558.8] | [10.3] | 6 | | | 12 |
| *J1800816* | | 30.25 [768.4] | | | | | | | 14.75 [374.7] | 29.50 [749.3] | | 6 | | | 16 |
| *J1801016* | | 37.75 [958.9] | | | | | | | 18.50 [469.9] | 37.00 [939.8] | | 6 | | | 20 |
| *J1800220* | | 8.50 [215.9] | | | | | | | -- | 7.50 [190.5] | | 4 | | | 4 |
| *J1800320* | | 12.50 [317.5] | | | | | | | -- | 11.50 [292.1] | | 4 | | | 6 |
| *J1800420* | 3.50 | 16.50 [419.1] | 1.75 | 2.25 | 4.00 | 0.41 | 2.69 | 0.50 | -- | 15.50 [393.7] | 0.53 | 4 | 1-1/4 | -20 | 8 |
| *J1800620* | [88.9] | 24.50 [622.3] | [44.5] | [57.2] | [101.6] | [10.3] | [68.3] | [12.7] | 11.75 [298.5] | 23.50 [596.9] | [13.5] | 6 | | | 12 |
| *J1800820* | | 32.50 [825.5] | | | | | | | 15.75 [400.1] | 31.50 [800.1] | | 6 | | | 16 |
| *J1800224* | | 10.00 [254.0] | | | | | | | -- | 9.00 [228.6] | | 4 | | | 4 |
| *J1800324* | | 15.00 [381.0] | | | | | | | -- | 14.00 [355.6] | | 4 | | | 6 |
| *J1800424* | 4.00 | 20.00 [508.0] | 2.00 | 2.50 | 5.00 | 0.41 | 3.19 | 0.50 | -- | 19.00 [482.6] | 0.53 | 4 | 1-1/2 | -24 | 8 |
| *J1800624* | [101.6] | 30.00 [762.0] | [50.8] | [63.5] | [127.0] | [10.3] | [81.0] | [12.7] | 9.50 [241.3] | 29.00 [736.6] | [13.5] | 6 | | | 12 |

Custom Products
 Standard Manifolds
 Cover Plates
 Valve Adaptors
 Subplates
 Servo Valve Subplates
 Tapping Plates
 DIN Cartridge Valve Bodies
 Header and Junction Blocks
 Technical Information

Junction Manifolds - 270° Design

Junction block mounting hardware is supplied.
See page 179 for itemized list.



Specifications, descriptions, and dimensional data are subject to correction or change without notice or incurring obligation.
Download latest catalog page revisions at www.damanifolds.com.


Ordering Information

| Material | Product Type | Side Port Layout | No. of Stations | Side Port Threads | | | | | | | | | | | | | | | | | | | | | | | | | | | | | | | | | | | | | | | | | | | | | | | | | |
|--|---|------------------|------------------------------|--|----------|--|---|--|---|--------------|--|----------|----------------|---|------------------|--|------------|--------------------------------|--|-----------------|--|-----------|---|-----------|-----------|-----------|-----------|-----------|---|-------------------|--|--|--|------------|----------------------|------------|------------------------------|------------|------------|------------|------------|------------|------------|------------|------------|------------|------------|------------|------------|---|--|--|--|
| <table border="1"> <thead> <tr> <th colspan="2">Material</th> </tr> </thead> <tbody> <tr> <td>A</td> <td>Aluminum - 6061-T6 3000† psi • 20.7 MPa</td> </tr> <tr> <td>D</td> <td>Ductile Iron - D4512 5000† psi • 34.5 MPa</td> </tr> <tr> <td colspan="2">† Working pressure should be considered in accordance with ISO 4413 to determine appropriate material type.</td> </tr> </tbody> </table> | Material | | A | Aluminum - 6061-T6 3000† psi • 20.7 MPa | D | Ductile Iron - D4512 5000† psi • 34.5 MPa | † Working pressure should be considered in accordance with ISO 4413 to determine appropriate material type. | | <table border="1"> <thead> <tr> <th colspan="2">Product Type</th> </tr> </thead> <tbody> <tr> <td>J</td> <td>Junction Block</td> </tr> </tbody> </table> | Product Type | | J | Junction Block | <table border="1"> <thead> <tr> <th colspan="2">Side Port Layout</th> </tr> </thead> <tbody> <tr> <td>270</td> <td>Ports out three adjacent sides</td> </tr> </tbody> </table> | Side Port Layout | | 270 | Ports out three adjacent sides | <table border="1"> <thead> <tr> <th colspan="2">No. of Stations</th> </tr> </thead> <tbody> <tr> <td>02</td> <td rowspan="6">Check chart on next page to verify station-port size combinations</td> </tr> <tr> <td>03</td> </tr> <tr> <td>04</td> </tr> <tr> <td>06</td> </tr> <tr> <td>08</td> </tr> <tr> <td>10</td> </tr> </tbody> </table> | No. of Stations | | 02 | Check chart on next page to verify station-port size combinations | 03 | 04 | 06 | 08 | 10 | <table border="1"> <thead> <tr> <th colspan="4">Side Port Threads</th> </tr> </thead> <tbody> <tr> <td>04P</td> <td rowspan="8">NPTF ANSI B1.20.3</td> <td>04S</td> <td rowspan="8">SAE ISO 11926 SAE 1926</td> </tr> <tr> <td>06P</td> <td>06S</td> </tr> <tr> <td>08P</td> <td>08S</td> </tr> <tr> <td>12P</td> <td>12S</td> </tr> <tr> <td>16P</td> <td>16S</td> </tr> <tr> <td>20P</td> <td>20S</td> </tr> <tr> <td>24P</td> <td>24S</td> </tr> <tr> <td colspan="4">Check chart on next page to verify station-port size combinations</td> </tr> </tbody> </table> | Side Port Threads | | | | 04P | NPTF ANSI B1.20.3 | 04S | SAE ISO 11926 SAE 1926 | 06P | 06S | 08P | 08S | 12P | 12S | 16P | 16S | 20P | 20S | 24P | 24S | Check chart on next page to verify station-port size combinations | | | |
| Material | | | | | | | | | | | | | | | | | | | | | | | | | | | | | | | | | | | | | | | | | | | | | | | | | | | | | |
| A | Aluminum - 6061-T6 3000† psi • 20.7 MPa | | | | | | | | | | | | | | | | | | | | | | | | | | | | | | | | | | | | | | | | | | | | | | | | | | | | |
| D | Ductile Iron - D4512 5000† psi • 34.5 MPa | | | | | | | | | | | | | | | | | | | | | | | | | | | | | | | | | | | | | | | | | | | | | | | | | | | | |
| † Working pressure should be considered in accordance with ISO 4413 to determine appropriate material type. | | | | | | | | | | | | | | | | | | | | | | | | | | | | | | | | | | | | | | | | | | | | | | | | | | | | | |
| Product Type | | | | | | | | | | | | | | | | | | | | | | | | | | | | | | | | | | | | | | | | | | | | | | | | | | | | | |
| J | Junction Block | | | | | | | | | | | | | | | | | | | | | | | | | | | | | | | | | | | | | | | | | | | | | | | | | | | | |
| Side Port Layout | | | | | | | | | | | | | | | | | | | | | | | | | | | | | | | | | | | | | | | | | | | | | | | | | | | | | |
| 270 | Ports out three adjacent sides | | | | | | | | | | | | | | | | | | | | | | | | | | | | | | | | | | | | | | | | | | | | | | | | | | | | |
| No. of Stations | | | | | | | | | | | | | | | | | | | | | | | | | | | | | | | | | | | | | | | | | | | | | | | | | | | | | |
| 02 | Check chart on next page to verify station-port size combinations | | | | | | | | | | | | | | | | | | | | | | | | | | | | | | | | | | | | | | | | | | | | | | | | | | | | |
| 03 | | | | | | | | | | | | | | | | | | | | | | | | | | | | | | | | | | | | | | | | | | | | | | | | | | | | | |
| 04 | | | | | | | | | | | | | | | | | | | | | | | | | | | | | | | | | | | | | | | | | | | | | | | | | | | | | |
| 06 | | | | | | | | | | | | | | | | | | | | | | | | | | | | | | | | | | | | | | | | | | | | | | | | | | | | | |
| 08 | | | | | | | | | | | | | | | | | | | | | | | | | | | | | | | | | | | | | | | | | | | | | | | | | | | | | |
| 10 | | | | | | | | | | | | | | | | | | | | | | | | | | | | | | | | | | | | | | | | | | | | | | | | | | | | | |
| Side Port Threads | | | | | | | | | | | | | | | | | | | | | | | | | | | | | | | | | | | | | | | | | | | | | | | | | | | | | |
| 04P | NPTF ANSI B1.20.3 | 04S | SAE ISO 11926 SAE 1926 | | | | | | | | | | | | | | | | | | | | | | | | | | | | | | | | | | | | | | | | | | | | | | | | | | |
| 06P | | 06S | | | | | | | | | | | | | | | | | | | | | | | | | | | | | | | | | | | | | | | | | | | | | | | | | | | |
| 08P | | 08S | | | | | | | | | | | | | | | | | | | | | | | | | | | | | | | | | | | | | | | | | | | | | | | | | | | |
| 12P | | 12S | | | | | | | | | | | | | | | | | | | | | | | | | | | | | | | | | | | | | | | | | | | | | | | | | | | |
| 16P | | 16S | | | | | | | | | | | | | | | | | | | | | | | | | | | | | | | | | | | | | | | | | | | | | | | | | | | |
| 20P | | 20S | | | | | | | | | | | | | | | | | | | | | | | | | | | | | | | | | | | | | | | | | | | | | | | | | | | |
| 24P | | 24S | | | | | | | | | | | | | | | | | | | | | | | | | | | | | | | | | | | | | | | | | | | | | | | | | | | |
| Check chart on next page to verify station-port size combinations | | | | | | | | | | | | | | | | | | | | | | | | | | | | | | | | | | | | | | | | | | | | | | | | | | | | | |

Junction Manifolds - 270° Design

| PART NO. | A | B | C | D | E | F | G | H | J | K | L | M | N | P | Q |
|------------|---------|---------------|--------|--------|---------|--------|--------|--------|---------------|---------------|--------|---|-------|-----|----|
| *J2700304* | | 5.63 [142.9] | | | | | | | -- | 5.00 [127.0] | | 4 | | | 9 |
| *J2700404* | 1.75 | 7.38 [187.3] | 0.88 | 1.06 | 1.75 | 0.25 | 1.25 | 0.31 | -- | 6.75 [171.5] | 0.28 | 4 | | | 12 |
| *J2700604* | [44.5] | 10.88 [276.2] | [22.2] | [27.0] | [44.5] | [6.4] | [31.8] | [7.9] | 5.13 [130.2] | 10.25 [260.4] | [7.1] | 6 | 1/4 | -4 | 18 |
| *J2700804* | | 14.38 [365.1] | | | | | | | 6.88 [174.6] | 13.75 [349.3] | | 6 | | | 24 |
| *J2701004* | | 17.88 [454.0] | | | | | | | 8.63 [219.1] | 17.25 [438.2] | | 6 | | | 30 |
| *J2700206* | | 5.00 [127.0] | | | | | | | -- | 4.38 [111.1] | | 4 | | | 6 |
| *J2700306* | | 7.00 [177.8] | | | | | | | -- | 6.38 [161.9] | | 4 | | | 9 |
| *J2700406* | 1.75 | 9.00 [228.6] | 0.88 | 1.50 | 2.00 | 0.25 | 1.25 | 0.31 | -- | 8.38 [212.7] | 0.28 | 4 | 3/8 | -6 | 12 |
| *J2700606* | [44.5] | 13.00 [330.2] | [22.2] | [38.1] | [50.8] | [6.4] | [31.8] | [7.9] | 6.19 [157.2] | 12.38 [314.3] | [7.1] | 6 | | | 18 |
| *J2700806* | | 17.00 [431.8] | | | | | | | 8.19 [208.0] | 16.38 [415.9] | | 6 | | | 24 |
| *J2701006* | | 21.00 [533.4] | | | | | | | 10.19 [258.8] | 20.38 [517.5] | | 6 | | | 30 |
| *J2700208* | | 5.38 [136.5] | | | | | | | -- | 4.75 [120.7] | | 4 | | | 6 |
| *J2700308* | | 7.75 [196.9] | | | | | | | -- | 7.13 [181.0] | | 4 | | | 9 |
| *J2700408* | 2.00 | 10.13 [257.2] | 1.00 | 1.50 | 2.38 | 0.25 | 1.50 | 0.31 | -- | 9.50 [241.3] | 0.28 | 4 | 1/2 | -8 | 12 |
| *J2700608* | [50.8] | 14.88 [377.8] | [25.4] | [38.1] | [60.3] | [6.4] | [38.1] | [7.9] | 7.13 [181.0] | 14.25 [362.0] | [7.1] | 6 | | | 18 |
| *J2700808* | | 19.63 [498.5] | | | | | | | 9.50 [241.3] | 19.00 [482.6] | | 6 | | | 24 |
| *J2701008* | | 24.38 [619.1] | | | | | | | 11.88 [301.6] | 23.75 [603.3] | | 6 | | | 30 |
| *J2700212* | | 6.88 [174.6] | | | | | | | -- | 6.13 [155.6] | | 4 | | | 6 |
| *J2700312* | | 10.13 [257.2] | | | | | | | -- | 9.38 [238.1] | | 4 | | | 9 |
| *J2700412* | 2.50 | 13.38 [339.7] | 1.25 | 1.81 | 3.25 | 0.28 | 1.94 | 0.38 | -- | 12.63 [320.7] | 0.34 | 4 | 3/4 | -12 | 12 |
| *J2700612* | [63.5] | 19.88 [504.8] | [31.8] | [46.0] | [82.6] | [7.1] | [49.2] | [9.5] | 9.56 [242.9] | 19.13 [485.8] | [8.7] | 6 | | | 18 |
| *J2700812* | | 26.38 [669.9] | | | | | | | 12.81 [325.4] | 25.63 [650.9] | | 6 | | | 24 |
| *J2701012* | | 32.88 [835.0] | | | | | | | 16.06 [408.0] | 32.13 [816.0] | | 6 | | | 30 |
| *J2700216* | | 7.75 [197.0] | | | | | | | -- | 7.00 [177.8] | | 4 | | | 6 |
| *J2700316* | | 11.50 [292.1] | | | | | | | -- | 10.75 [273.1] | | 4 | | | 9 |
| *J2700416* | 3.00 | 15.25 [387.4] | 1.50 | 2.00 | 3.75 | 0.34 | 2.31 | 0.38 | -- | 14.50 [368.3] | 0.41 | 4 | 1" | -16 | 12 |
| *J2700616* | [76.2] | 22.75 [577.9] | [38.1] | [50.8] | [95.3] | [8.7] | [58.7] | [9.5] | 11.00 [279.4] | 22.00 [558.8] | [10.3] | 6 | | | 18 |
| *J2700816* | | 30.25 [768.4] | | | | | | | 14.75 [374.7] | 29.50 [749.3] | | 6 | | | 24 |
| *J2701016* | | 37.75 [958.9] | | | | | | | 18.50 [469.9] | 37.00 [939.8] | | 6 | | | 30 |
| *J2700220* | | 8.50 [215.9] | | | | | | | -- | 7.50 [190.5] | | 4 | | | 6 |
| *J2700320* | | 12.50 [317.5] | | | | | | | -- | 11.50 [292.1] | | 4 | | | 9 |
| *J2700420* | 3.50 | 16.50 [419.1] | 1.75 | 2.25 | 4.00 | 0.41 | 2.69 | 0.50 | -- | 15.50 [393.7] | 0.53 | 4 | 1-1/4 | -20 | 12 |
| *J2700620* | [88.9] | 24.50 [622.3] | [44.5] | [57.2] | [101.6] | [10.3] | [68.3] | [12.7] | 11.75 [298.5] | 23.50 [596.9] | [13.5] | 6 | | | 18 |
| *J2700820* | | 32.50 [825.5] | | | | | | | 15.75 [400.1] | 31.50 [800.1] | | 6 | | | 24 |
| *J2700224* | | 10.00 [254.0] | | | | | | | -- | 9.00 [228.6] | | 4 | | | 6 |
| *J2700324* | 4.00 | 15.00 [381.0] | 2.00 | 2.50 | 5.00 | 0.41 | 3.19 | 0.50 | -- | 14.00 [355.6] | 0.53 | 4 | 1-1/2 | -24 | 9 |
| *J2700424* | [101.6] | 20.00 [508.0] | [50.8] | [63.5] | [127.0] | [10.3] | [81.0] | [12.7] | 9.50 [241.3] | 19.00 [482.6] | [13.5] | 6 | | | 12 |
| *J2700624* | | 30.00 [762.0] | | | | | | | 14.50 [368.3] | 29.00 [736.6] | | 6 | | | 18 |

Custom Products
 Standard Manifolds
 Cover Plates
 Valve Adaptors
 Subplates
 Servo Valve Subplates
 Tapping Plates
 DIN Cartridge Valve Bodies
 Header and Junction Blocks
 Technical Information



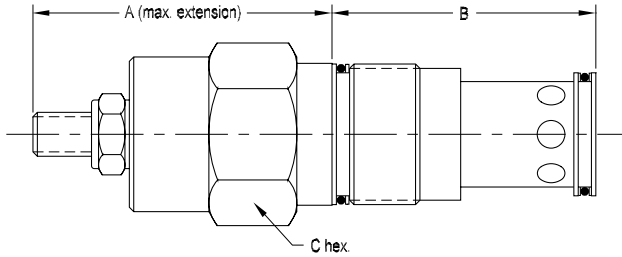
Hydraulic Valve Manifolds Better System Design Begins with a Manifold.

TECHNICAL INFORMATION

Dimensional Reference

| | |
|-----------------------------------|---------------|
| Relief Valve Ordering Information | Page 193 |
| Directional Valve Patterns | Pages 194-195 |
| Flow Control Valve Patterns | Pages 196-197 |
| Pressure Control Valve Patterns | Pages 196-197 |
| Servo Valve Patterns | Pages 198-205 |
| “Obsolete Valve” Patterns | Pages 206-208 |

Relief Valves

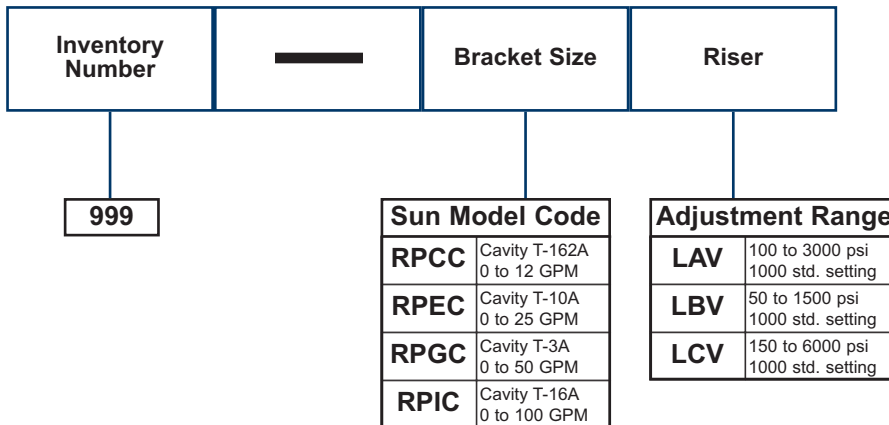


| Valve | A max. | B | C hex |
|-------|----------------|----------------|----------------|
| RPCC | 2.11 [53.6] | 1.22 [31.0] | 0.75 [19.1] |
| RPEC | 2.00 [50.8] | 1.56 [39.7] | 0.88 [22.2] |
| RPGC | 2.12 [54.0] | 1.88 [47.6] | 1.12 [28.6] |
| RPIC | 2.44 [61.9] | 2.44 [61.9] | 1.25 [31.8] |

| Sun Valve Application Chart | | | |
|-----------------------------|----------|---------------|----------|
| Manifolds | | Subplates | |
| *D02P****/S | RPCC-L*V | *D03SPRVS*** | RPEC-L*V |
| *D02S****/S | RPCC-L*V | *D03SPCRS*** | RPEC-L*V |
| *D03P****/S | RPEC-L*V | *D05SPRVS8* | RPEC-L*V |
| *D03HP****/S | RPGC-L*V | *D05SPCRS8* | RPEC-L*V |
| *D03S****/S | RPEC-L*V | | |
| *D05P****/S | RPGC-L*V | *D05HSPRVS12* | RPGC-L*V |
| *D05HP****/S | RPGC-L*V | *D05HSPCRS12* | RPGC-L*V |
| *D05JP****/S | RPIC-L*V | *D05JSPRVS16* | RPIC-L*V |
| *D05S02**/S | RPGC-L*V | *D05JSPCRS16* | RPIC-L*V |
| *D07P****/S | RPGC-L*V | *D07SPRVS12* | RPGC-L*V |
| *D07HP****/S | RPIC-L*V | *D07HSPRV16* | RPIC-L*V |
| *D08P****/S | RPGC-L*V | *D08SPRVS16* | RPGC-L*V |
| *D08HP****/S | RPIC-L*V | *D08SPRVS20* | RPIC-L*V |

Note: We stock a limited number of Sun relief valves through their NFPA member policy, but we are not a Sun distributor. Any technical or performance questions should be addressed to Sun or one of their authorized distributors.

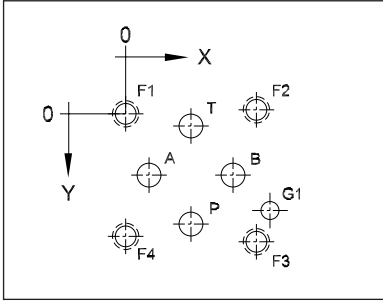
Ordering Information



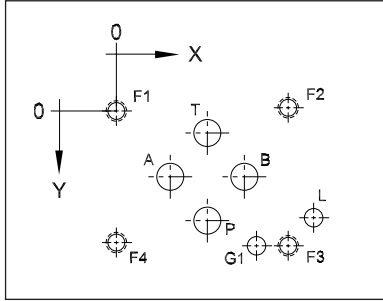
Directional Valve Patterns

These drawings are for reference only. Please consult the appropriate standard when dimensions are critical. Some holes are added per industry convention. Dimensions may vary on our products. It should not be assumed that each hole shown is found on a given product.

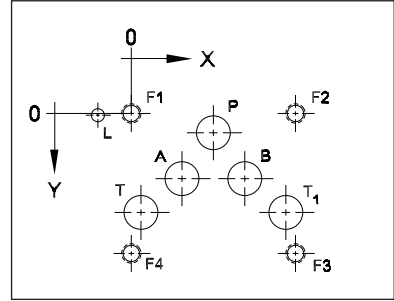
D02 ISO 4401-02-01-0-94
NFPA T3.5.1 R2-2002 D02



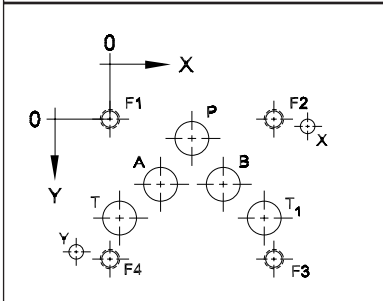
D03 ISO 4401-03-02-0-94
NFPA T3.5.1 R2-2002 D03



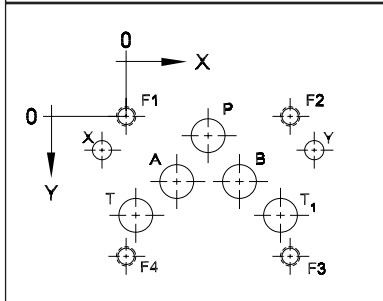
D05 ISO 4401-05-04-0-94
NFPA T3.5.1 R2-2002 D05



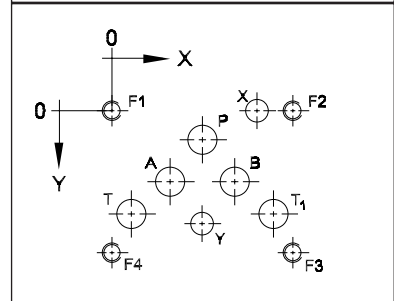
D05H NFPA T3.5.1 R2-2002
D05 - Alternative B



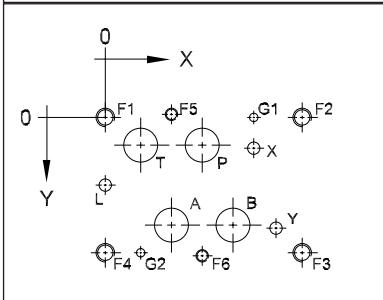
D05HE ISO 4401-05-05-0-94
NFPA T3.5.1 R2-2002 D05 - Alternative A



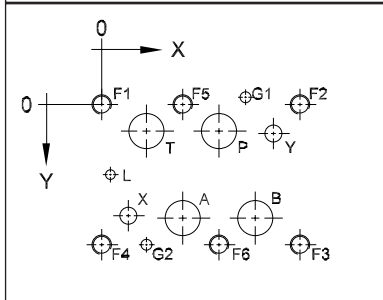
D06 NFPA T3.5.1 R2-2002 D06



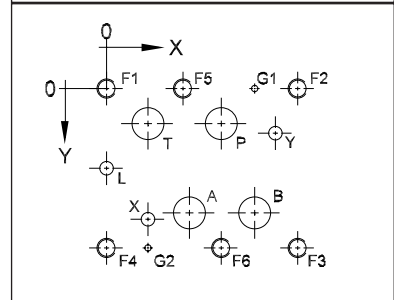
D07 ISO 4401-07-06-0-94
NFPA T3.5.1 R2-2002 D07



D08 ISO 4401-08-07-0-94
NFPA T3.5.1 R2-2002 D08



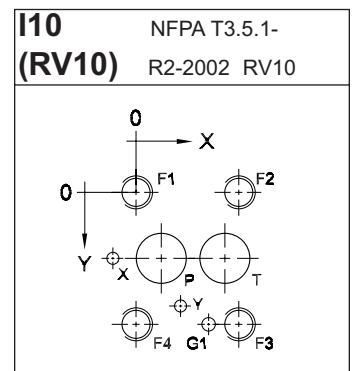
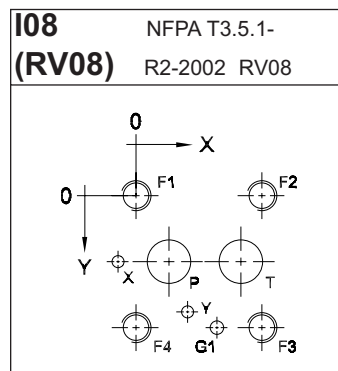
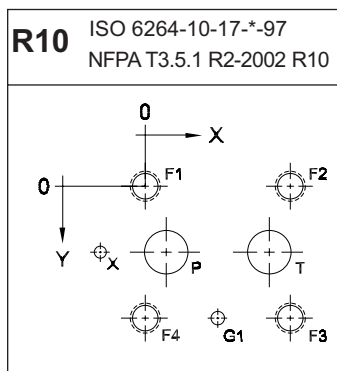
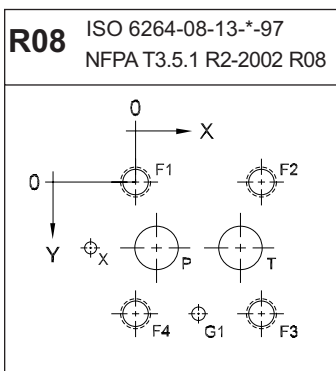
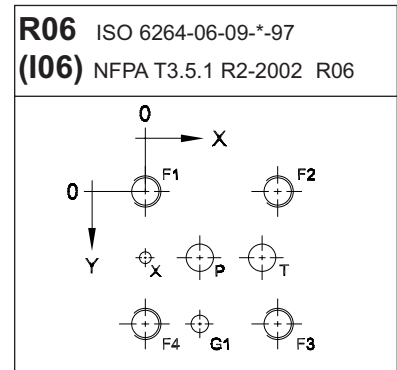
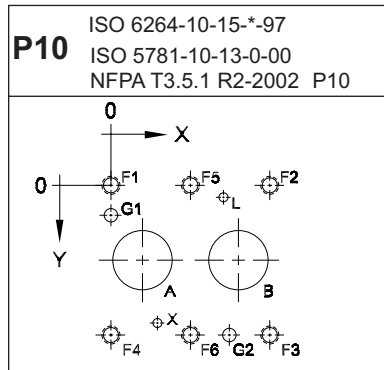
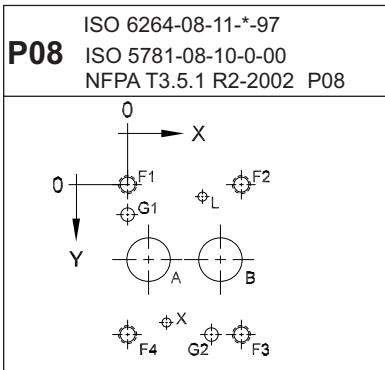
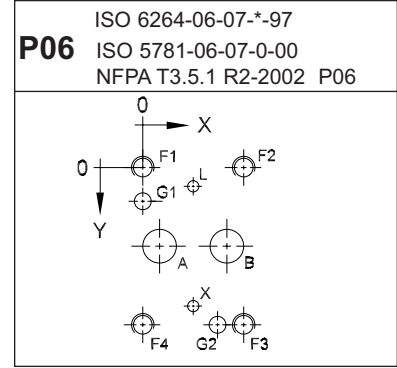
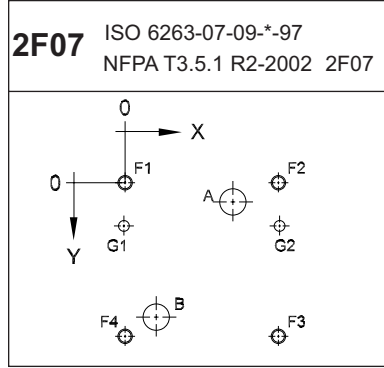
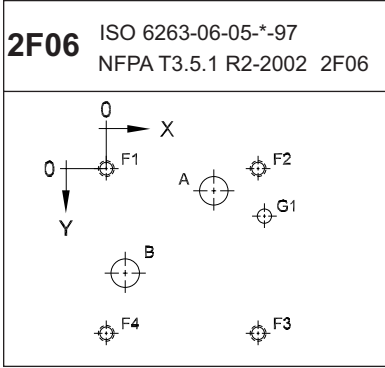
D10 ISO 4401-10-08-0-94
NFPA T3.5.1 R2-2002 D10



| Pattern | Axis | P | A | T | T ₁ | B | X | Y | L | F1 | F2 | F3 | F4 | F5 | F6 | G1 | G2 |
|---------|------------|------------------|------------------|-----------------|------------------|------------------|------------------|-------------------|-------------------|---------------|-------------------|------------------|------------------|------------------|------------------|------------------|------------------|
| D02 | X | 0.472 [12.0] | 0.169 [4.3] | 0.472 [12.0] | -- | 0.776 [19.7] | -- | -- | -- | 0 [0] | 0.945 [24.0] | 0.945 [24.0] | 0 [0] | -- | -- | 1.043 [26.5] | -- |
| | Y | 0.797 [20.25] | 0.443 [11.25] | 0.089 [2.25] | -- | 0.443 [11.25] | -- | -- | -- | 0 [0] | -0.030 [-0.75] | 0.915 [23.25] | 0.886 [22.5] | -- | -- | 0.699 [17.75] | -- |
| | φ (max) | 0.177 [4.5] | 0.177 [4.5] | 0.177 [4.5] | -- | 0.177 [4.5] | -- | -- | -- | #10-24 M5 | #10-24 M5 | #10-24 M5 | #10-24 M5 | -- | -- | 0.134 [3.4] | -- |
| D03 | X | 0.847 [21.5] | 0.500 [12.7] | 0.847 [21.5] | -- | 1.189 [30.2] | -- | -- | 1.831 [46.5] | 0 [0] | 1.595 [40.5] | 1.595 [40.5] | 0 [0] | -- | -- | 1.299 [33.0] | -- |
| | Y | 1.020 [25.9] | 0.610 [15.5] | 0.201 [5.1] | -- | 0.610 [15.5] | -- | -- | 0.988 [25.1] | 0 [0] | -0.030 [-0.75] | 1.250 [31.75] | 1.221 [31.0] | -- | -- | 1.250 [31.75] | -- |
| | φ (max) | 0.295 [7.5] | 0.295 [7.5] | 0.295 [7.5] | -- | 0.295 [7.5] | -- | -- | 0.158 [4.0] | #10-24 M5 | #10-24 M5 | #10-24 M5 | #10-24 M5 | -- | -- | 0.158 [4.0] | -- |
| D05 | X | 1.063 [27.0] | 0.658 [16.7] | 0.126 [3.2] | 2.000 [50.8] | 1.469 [37.3] | -- | -- | -0.433 [-11.0] | 0 [0] | 2.126 [54.0] | 2.126 [54.0] | 0 [0] | -- | -- | -- | -- |
| | Y | 0.248 [6.3] | 0.843 [21.4] | 1.280 [32.5] | 1.280 [32.5] | 0.843 [21.4] | -- | -- | 0.020 [0.5] | 0 [0] | 0 [0] | 1.811 [46.0] | 1.811 [46.0] | -- | -- | -- | -- |
| | φ (max) | 0.441 [11.2] | 0.441 [11.2] | 0.441 [11.2] | 0.441 [11.2] | 0.441 [11.2] | -- | -- | 0.177 [4.5] | .25-20 M6 | .25-20 M6 | .25-20 M6 | .25-20 M6 | -- | -- | -- | -- |
| D05H | X | 1.063 [27.0] | 0.658 [16.7] | 0.126 [3.2] | 2.000 [50.8] | 1.469 [37.3] | 2.563 [65.1] | -0.441 [-11.2] | -- | 0 [0] | 2.126 [54.0] | 2.126 [54.0] | 0 [0] | -- | -- | -- | -- |
| | Y | 0.248 [6.3] | 0.843 [21.4] | 1.280 [32.5] | 1.280 [32.5] | 0.843 [21.4] | 0.095 [2.4] | 1.721 [43.7] | -- | 0 [0] | 0 [0] | 1.811 [46.0] | 1.811 [46.0] | -- | -- | -- | -- |
| | φ (max) | 0.441 [11.2] | 0.441 [11.2] | 0.441 [11.2] | 0.441 [11.2] | 0.441 [11.2] | 0.189 [4.8] | 0.189 [4.8] | -- | .25-20 M6 | .25-20 M6 | .25-20 M6 | .25-20 M6 | -- | -- | -- | -- |
| D05HE | X | 1.063 [27.0] | 0.658 [16.7] | 0.126 [3.2] | 2.000 [50.8] | 1.469 [37.3] | -0.315 [-8.0] | 2.441 [62.0] | -- | 0 [0] | 2.126 [54.0] | 2.126 [54.0] | 0 [0] | -- | -- | -- | -- |
| | Y | 0.248 [6.3] | 0.843 [21.4] | 1.280 [32.5] | 1.280 [32.5] | 0.843 [21.4] | 0.433 [11.0] | 0.433 [11.0] | -- | 0 [0] | 0 [0] | 1.811 [46.0] | 1.811 [46.0] | -- | -- | -- | -- |
| | φ (max) | 0.441 [11.2] | 0.441 [11.2] | 0.441 [11.2] | 0.441 [11.2] | 0.441 [11.2] | 0.248 [6.3] | 0.248 [6.3] | -- | .25-20 M6 | .25-20 M6 | .25-20 M6 | .25-20 M6 | -- | -- | -- | -- |
| D06 | X | 1.750 [44.45] | 1.120 [28.45] | 0.380 [9.65] | 3.120 [79.25] | 2.380 [60.45] | 2.811 [71.4] | 1.750 [44.45] | -- | 0 [0] | 3.500 [88.9] | 3.500 [88.9] | 0 [0] | -- | -- | -- | -- |
| | Y | 0.561 [14.25] | 1.380 [35.05] | 2.000 [50.8] | 2.000 [50.8] | 1.380 [35.05] | 0 [0] | 2.180 [55.37] | -- | 0 [0] | 0 [0] | 2.750 [69.85] | 2.750 [69.85] | -- | -- | -- | -- |
| | φ (max) | 0.579 [14.7] | 0.579 [14.7] | 0.579 [14.7] | 0.579 [14.7] | 0.579 [14.7] | 0.441 [11.2] | 0.441 [11.2] | -- | .38-16 M10 | .38-16 M10 | .38-16 M10 | .38-16 M10 | -- | -- | -- | -- |
| D07 | X | 1.969 [50.0] | 1.343 [34.1] | 0.721 [18.3] | -- | 2.595 [65.9] | 3.016 [76.6] | 3.469 [88.1] | 0 [0] | 0 [0] | 4.000 [101.6] | 4.000 [101.6] | 0 [0] | 1.343 [34.1] | 1.969 [50.0] | 3.016 [76.6] | 0.721 [18.3] |
| | Y | 0.563 [14.3] | 2.189 [55.6] | 0.563 [14.3] | -- | 2.189 [55.6] | 0.626 [15.9] | 2.252 [57.2] | 1.374 [34.9] | 0 [0] | 0 [0] | 2.752 [69.9] | 2.752 [69.9] | -0.063 [-1.6] | 2.815 [71.5] | 0 [0] | 2.752 [69.9] |
| | φ (max) | 0.689 [17.5] | 0.689 [17.5] | 0.689 [17.5] | -- | 0.689 [17.5] | 0.248 [6.3] | 0.248 [6.3] | 0.248 [6.3] | .38-16 M10 | .38-16 M10 | .38-16 M10 | .38-16 M10 | .25-20 M6 | .25-20 M6 | 0.158 [4.0] | 0.158 [4.0] |
| D08 | X | 3.032 [77.0] | 2.095 [53.2] | 1.158 [29.4] | -- | 3.969 [100.8] | 0.689 [17.5] | 4.437 [112.7] | 0.221 [5.6] | 0 [0] | 5.126 [130.2] | 5.126 [130.2] | 0 [0] | 2.095 [53.2] | 3.032 [77.0] | 3.721 [94.5] | 1.158 [29.4] |
| | Y | 0.689 [17.5] | 2.937 [74.6] | 0.689 [17.5] | -- | 2.937 [74.6] | 2.874 [73.0] | 0.748 [19.0] | 1.811 [46.0] | 0 [0] | 0 [0] | 3.626 [92.1] | 3.626 [92.1] | 0 [0] | 3.626 [92.1] | -0.189 [-4.8] | 3.626 [92.1] |
| | φ (max) | 0.984 [25.0] | 0.984 [25.0] | 0.984 [25.0] | -- | 0.984 [25.0] | 0.441 [11.2] | 0.441 [11.2] | 0.441 [11.2] | .50-13 M12 | .50-13 M12 | .50-13 M12 | .50-13 M12 | .50-13 M12 | .50-13 M12 | 0.295 [7.5] | 0.295 [7.5] |
| D10 | X | 4.500 [114.3] | 3.248 [82.5] | 1.626 [41.3] | -- | 5.811 [147.6] | 1.626 [41.3] | 6.626 [168.3] | 0 [0] | 0 [0] | 7.500 [190.5] | 7.500 [190.5] | 0 [0] | 3.000 [76.2] | 4.500 [114.3] | 5.457 [138.6] | 1.626 [41.3] |
| | Y | 1.378 [35.0] | 4.874 [123.8] | 1.378 [35.0] | -- | 4.874 [123.8] | 5.126 [130.2] | 1.752 [44.5] | 3.126 [79.4] | 0 [0] | 0 [0] | 6.252 [158.8] | 6.252 [158.8] | 0 [0] | 6.252 [158.8] | 0 [0] | 6.252 [158.8] |
| | φ (max) | 1.260 [32.0] | 1.260 [32.0] | 1.260 [32.0] | -- | 1.260 [32.0] | 0.441 [11.2] | 0.441 [11.2] | 0.441 [11.2] | .75-10 M20 | .75-10 M20 | .75-10 M20 | .75-10 M20 | .75-10 M20 | .75-10 M20 | 0.295 [7.5] | 0.295 [7.5] |

Non-Directional Valve Patterns

These drawings are for reference only. Please consult the appropriate standard when dimensions are critical. Some holes are added per industry convention. Dimensions may vary on our products. It should not be assumed that each hole shown is found on a given product.

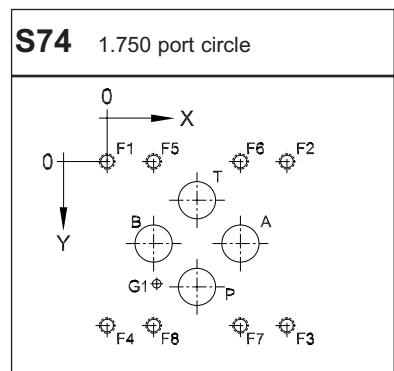
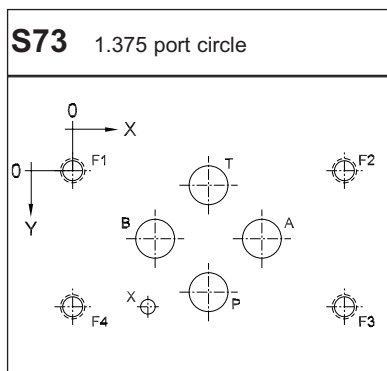
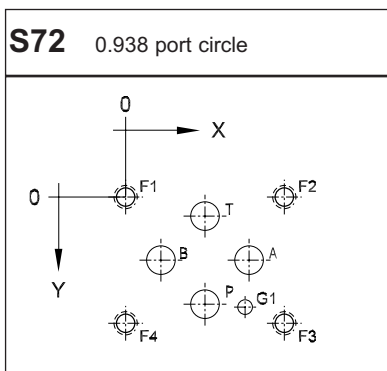
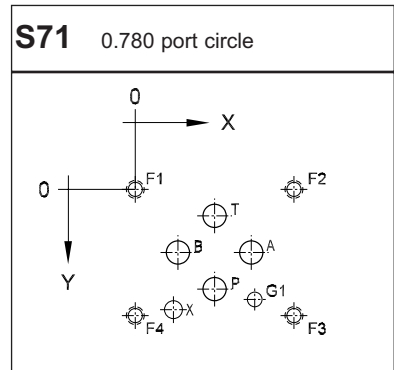
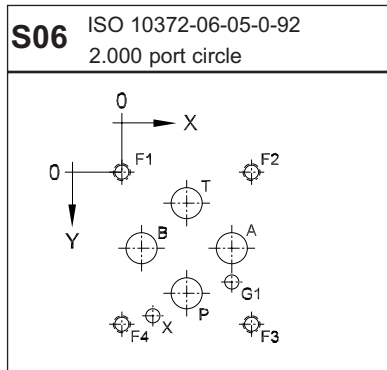
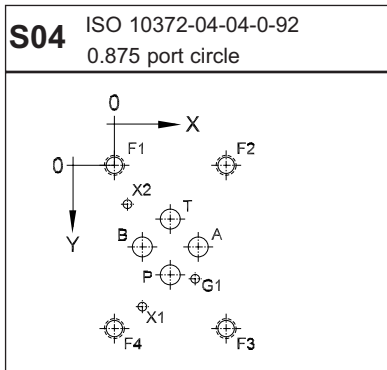
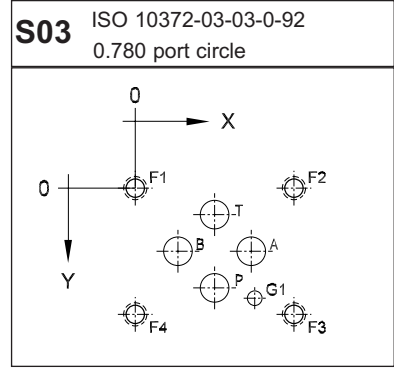
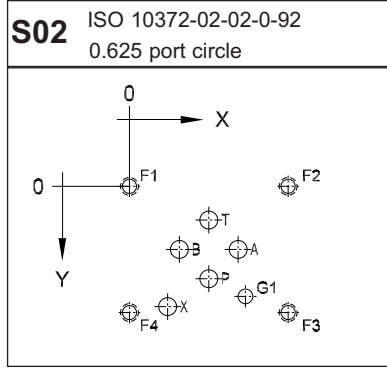
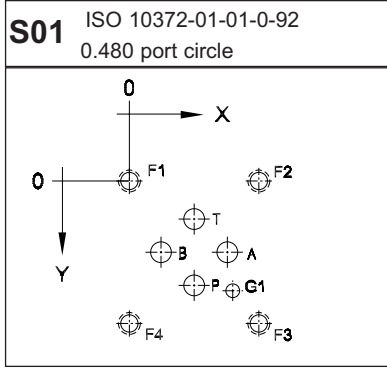


| Pattern | Axis | A | B | P | T | X | L | F1 | F2 | F3 | F4 | F5 | F6 | G1 | G2 |
|---------------|------------|-----------------|-----------------|-----------------|-----------------|-------------------|-----------------|---------------|------------------|------------------|------------------|-----------------|-----------------|------------------|------------------|
| 2F06 | X | 2.126 [54.0] | 0.374 [9.5] | -- | -- | -- | -- | 0 [0] | 3.000 [76.2] | 3.000 [76.2] | 0 [0] | -- | -- | 3.126 [79.4] | -- |
| | Y | 0.437 [11.1] | 2.063 [52.4] | -- | -- | -- | -- | 0 [0] | 0 [0] | 3.252 [82.6] | 3.252 [82.6] | -- | -- | 0.937 [23.8] | -- |
| | φ (max) | 0.579 [14.7] | 0.579 [14.7] | -- | -- | -- | -- | .31-18 M8 | .31-18 M8 | .31-18 M8 | .31-18 M8 | -- | -- | 0.295 [7.5] | -- |
| 2F07 | X | 2.953 [75.0] | 0.811 [20.6] | -- | -- | -- | -- | 0 [0] | 4.000 [101.6] | 4.000 [101.6] | 0 [0] | -- | -- | -0.032 [-0.8] | 4.032 [102.4] |
| | Y | 0.437 [11.1] | 3.406 [86.5] | -- | -- | -- | -- | 0 [0] | 0 [0] | 4.000 [101.6] | 4.000 [101.6] | -- | -- | 1.126 [28.6] | 1.126 [28.6] |
| | φ (max) | 0.689 [17.5] | 0.689 [17.5] | -- | -- | -- | -- | .38-16 M10 | .38-16 M10 | .38-16 M10 | .38-16 M10 | -- | -- | 0.409 [10.4] | 0.409 [10.4] |
| P06 | X | 0.280 [7.1] | 1.406 [35.7] | -- | -- | 0.843 [21.4] | 0.843 [21.4] | 0 [0] | 1.689 [42.9] | 1.689 [42.9] | 0 [0] | -- | -- | 0 [0] | 1.252 [31.8] |
| | Y | 1.311 [33.3] | 1.311 [33.3] | -- | -- | 2.311 [58.7] | 0.311 [7.9] | 0 [0] | 0 [0] | 2.626 [66.7] | 2.626 [66.7] | -- | -- | 0.563 [14.3] | 2.626 [66.7] |
| | φ (max) | 0.579 [14.7] | 0.579 [14.7] | -- | -- | 0.189 [4.8] | 0.189 [4.8] | .38-16 M10 | .38-16 M10 | .38-16 M10 | .38-16 M10 | -- | -- | 0.295 [7.5] | 0.295 [7.5] |
| P08 | X | 0.437 [11.1] | 1.937 [49.2] | -- | -- | 0.819 [20.8] | 1.563 [39.7] | 0 [0] | 2.374 [60.3] | 2.374 [60.3] | 0 [0] | -- | -- | 0 [0] | 1.752 [44.5] |
| | Y | 1.563 [39.7] | 1.563 [39.7] | -- | -- | 2.874 [73.0] | 0.252 [6.4] | 0 [0] | 0 [0] | 3.126 [79.4] | 3.126 [79.4] | -- | -- | 0.626 [15.9] | 3.126 [79.4] |
| | φ (max) | 0.921 [23.4] | 0.921 [23.4] | -- | -- | 0.189 [4.8] | 0.189 [4.8] | .38-16 M10 | .38-16 M10 | .38-16 M10 | .38-16 M10 | -- | -- | 0.295 [7.5] | 0.295 [7.5] |
| P10 | X | 0.658 [16.7] | 2.658 [67.5] | -- | -- | 0.969 [24.6] | 2.347 [59.6] | 0 [0] | 3.311 [84.1] | 3.311 [84.1] | 0 [0] | 1.658 [42.1] | 1.658 [42.1] | 0 [0] | 2.469 [62.7] |
| | Y | 1.906 [48.4] | 1.906 [48.4] | -- | -- | 3.658 [92.9] | 0.158 [4.0] | 0 [0] | 0 [0] | 3.811 [96.8] | 3.811 [96.8] | 0 [0] | 3.811 [96.8] | 0.843 [21.4] | 3.811 [96.8] |
| | φ (max) | 1.260 [32.0] | 1.260 [32.0] | -- | -- | 0.189 [4.8] | 0.189 [4.8] | .38-16 M10 | .38-16 M10 | .38-16 M10 | .38-16 M10 | .38-16 M10 | .38-16 M10 | 0.295 [7.5] | 0.295 [7.5] |
| R06 (I06) | X | -- | -- | 0.870 [22.1] | 1.870 [47.5] | 0 [0] | -- | 0 [0] | 2.118 [53.8] | 2.118 [53.8] | 0 [0] | -- | -- | 0.870 [22.1] | -- |
| | Y | -- | -- | 1.059 [26.9] | 1.059 [26.9] | 1.059 [26.9] | -- | 0 [0] | 0 [0] | 2.118 [53.8] | 2.118 [53.8] | -- | -- | 2.118 [53.8] | -- |
| | φ (max) | -- | -- | 0.579 [14.7] | 0.579 [14.7] | 0.189 [4.8] | -- | .50-13 M12 | .50-13 M12 | .50-13 M12 | .50-13 M12 | -- | -- | 0.295 [7.5] | -- |
| R08 | X | -- | -- | 0.437 [11.1] | 2.189 [55.6] | -0.937 [-23.8] | -- | 0 [0] | 2.626 [66.7] | 2.626 [66.7] | 0 [0] | -- | -- | 1.315 [33.4] | -- |
| | Y | -- | -- | 1.378 [35.0] | 1.378 [35.0] | 1.378 [35.0] | -- | 0 [0] | 0 [0] | 2.756 [70.0] | 2.756 [70.0] | -- | -- | 2.756 [70.0] | -- |
| | φ (max) | -- | -- | 0.921 [23.4] | 0.921 [23.4] | 0.248 [6.3] | -- | .63-11 M16 | .63-11 M16 | .63-11 M16 | .63-11 M16 | -- | -- | 0.295 [7.5] | -- |
| R10 | X | -- | -- | 0.500 [12.7] | 3.000 [76.2] | -1.252 [-31.8] | -- | 0 [0] | 3.500 [88.9] | 3.500 [88.9] | 0 [0] | -- | -- | 1.752 [44.5] | -- |
| | Y | -- | -- | 1.626 [41.3] | 1.626 [41.3] | 1.626 [41.3] | -- | 0 [0] | 0 [0] | 3.252 [82.6] | 3.252 [82.6] | -- | -- | 3.252 [82.6] | -- |
| | φ (max) | -- | -- | 1.260 [32.0] | 1.260 [32.0] | 0.248 [6.3] | -- | .75-10 M18 | .75-10 M18 | .75-10 M18 | .75-10 M18 | -- | -- | 0.295 [7.5] | -- |
| I08 (RV08) | X | -- | -- | 0.689 [17.5] | 2.189 [55.6] | -0.374 [-9.5] | 1.441 [36.6] | 0 [0] | 2.626 [66.7] | 2.626 [66.7] | 0 [0] | -- | -- | 1.689 [42.9] | -- |
| | Y | -- | -- | 1.378 [35.0] | 1.378 [35.0] | 1.378 [35.0] | 2.248 [57.1] | 0 [0] | 0 [0] | 2.756 [70.0] | 2.756 [70.0] | -- | -- | 2.756 [70.0] | -- |
| | φ (max) | -- | -- | 0.921 [23.4] | 0.921 [23.4] | 0.248 [6.3] | 0.248 [6.3] | .63-11 M16 | .63-11 M16 | .63-11 M16 | .63-11 M16 | -- | -- | 0.295 [7.5] | -- |
| I10 (RV10) | X | -- | -- | 0.563 [14.3] | 2.311 [58.7] | -0.626 [-15.9] | 1.248 [31.8] | 0 [0] | 2.626 [66.7] | 2.626 [66.7] | 0 [0] | -- | -- | 2.000 [50.8] | -- |
| | Y | -- | -- | 1.811 [46.0] | 1.811 [46.0] | 1.811 [46.0] | 3.185 [80.9] | 0 [0] | 0 [0] | 3.626 [92.1] | 3.626 [92.1] | -- | -- | 3.626 [92.1] | -- |
| | φ (max) | -- | -- | 1.260 [32.0] | 1.260 [32.0] | 0.248 [6.3] | 0.248 [6.3] | .75-10 M18 | .75-10 M18 | .75-10 M18 | .75-10 M18 | -- | -- | 0.295 [7.5] | -- |

Custom Products
 Standard Manifolds
 Cover Plates
 Valve Adaptors
 Subplates
 Servo Valve Subplates
 Tapping Plates
 DIN Cartridge Valve Bodies
 Header and Junction Blocks

Servo Valve Patterns

These drawings are for reference only. Please consult the appropriate standard when dimensions are critical. Dimensions may vary on our products. It should not be assumed that each hole shown is found on a given product.



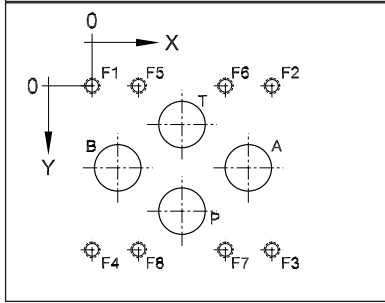
Servo patterns continued pages 200-205

| Pattern | Axis | P | A | T | B | X1 | X2 | F1 | F2 | F3 | F4 | F5 | F6 | F7 | F8 | G1 |
|---------|------------|-----------------|-----------------|-----------------|-----------------|-----------------|-----------------|---------------|-----------------|-----------------|-----------------|-----------------|-----------------|-----------------|-----------------|-----------------|
| S01 | X | 0.469 [11.9] | 0.709 [18.0] | 0.469 [11.9] | 0.228 [5.8] | -- | -- | 0 [0] | 0.937 [23.8] | 0.937 [23.8] | 0 [0] | -- | -- | -- | -- | 0.748 [19.0] |
| | Y | 0.756 [19.2] | 0.516 [13.1] | 0.276 [7.0] | 0.516 [13.1] | -- | -- | 0 [0] | 0 [0] | 1.032 [26.2] | 1.032 [26.2] | -- | -- | -- | -- | 0.795 [20.2] |
| | φ (max) | 0.150 [3.8] | 0.150 [3.8] | 0.150 [3.8] | 0.150 [3.8] | -- | -- | #6-32 M4 | #6-32 M4 | #6-32 M4 | #6-32 M4 | -- | -- | -- | -- | 0.098 [2.5] |
| S02 | X | 0.843 [21.4] | 1.154 [29.3] | 0.843 [21.4] | 0.532 [13.5] | 0.406 [10.3] | -- | 0 [0] | 1.685 [42.8] | 1.685 [42.8] | 0 [0] | -- | -- | -- | -- | 1.232 [31.3] |
| | Y | 0.984 [25.0] | 0.673 [17.1] | 0.362 [9.2] | 0.673 [17.1] | 1.283 [32.6] | -- | 0 [0] | 0 [0] | 1.347 [34.2] | 1.347 [34.2] | -- | -- | -- | -- | 1.173 [29.8] |
| | φ (max) | 0.197 [5.0] | 0.197 [5.0] | 0.197 [5.0] | 0.197 [5.0] | 0.095 [2.4] | -- | #10-32 M5 | #10-32 M5 | #10-32 M5 | #10-32 M5 | -- | -- | -- | -- | 0.138 [3.5] |
| S03 | X | 0.843 [21.4] | 1.232 [31.3] | 0.843 [21.4] | 0.453 [11.5] | -- | -- | 0 [0] | 1.685 [42.8] | 1.685 [42.8] | 0 [0] | -- | -- | -- | -- | 1.232 [31.3] |
| | Y | 1.063 [27.0] | 0.673 [17.1] | 0.284 [7.2] | 0.673 [17.1] | -- | -- | 0 [0] | 0 [0] | 1.347 [34.2] | 1.347 [34.2] | -- | -- | -- | -- | 1.173 [29.8] |
| | φ (max) | 0.260 [6.6] | 0.260 [6.6] | 0.260 [6.6] | 0.260 [6.6] | -- | -- | .25-28 M6 | .25-28 M6 | .25-28 M6 | .25-28 M6 | -- | -- | -- | -- | 0.138 [3.5] |
| S04 | X | 0.874 [22.2] | 1.311 [33.3] | 0.874 [22.2] | 0.437 [11.1] | 0.437 [11.1] | 0.205 [5.2] | 0 [0] | 1.748 [44.4] | 1.748 [44.4] | 0 [0] | -- | -- | -- | -- | 1.264 [32.1] |
| | Y | 1.717 [43.6] | 1.280 [32.5] | 0.843 [21.4] | 1.280 [32.5] | 2.217 [56.3] | 0.610 [15.5] | 0 [0] | 0 [0] | 2.559 [65.0] | 2.559 [65.0] | -- | -- | -- | -- | 1.780 [45.2] |
| | φ (max) | 0.323 [8.2] | 0.323 [8.2] | 0.323 [8.2] | 0.323 [8.2] | 0.197 [5.0] | 0.197 [5.0] | .31-18 M8 | .31-18 M8 | .31-18 M8 | .31-18 M8 | -- | -- | -- | -- | 0.138 [3.5] |
| S06 | X | 1.437 [36.5] | 2.437 [61.9] | 1.437 [36.5] | 0.437 [11.1] | 0.685 [17.4] | -- | 0 [0] | 2.874 [73.0] | 2.874 [73.0] | 0 [0] | -- | -- | -- | -- | 2.437 [61.9] |
| | Y | 2.685 [68.2] | 1.685 [42.8] | 0.685 [17.4] | 1.685 [42.8] | 3.189 [81.0] | -- | 0 [0] | 0 [0] | 3.370 [85.6] | 3.370 [85.6] | -- | -- | -- | -- | 2.437 [61.9] |
| | φ (max) | 0.630 [16.0] | 0.630 [16.0] | 0.630 [16.0] | 0.630 [16.0] | 0.197 [5.0] | -- | .38-16 M10 | .38-16 M10 | .38-16 M10 | .38-16 M10 | -- | -- | -- | -- | 0.315 [8.0] |
| S71 | X | 0.843 [21.4] | 1.232 [31.2] | 0.843 [21.4] | 0.453 [11.4] | 0.406 [10.3] | -- | 0 [0] | 1.685 [42.8] | 1.685 [42.8] | 0 [0] | -- | -- | -- | -- | 1.232 [31.3] |
| | Y | 1.063 [27.0] | 0.673 [17.1] | 0.284 [7.2] | 0.673 [17.1] | 1.284 [32.6] | -- | 0 [0] | 0 [0] | 1.347 [34.2] | 1.347 [34.2] | -- | -- | -- | -- | 1.173 [29.8] |
| | φ (max) | 0.260 [6.6] | 0.260 [6.6] | 0.260 [6.6] | 0.260 [6.6] | 0.095 [2.4] | -- | #10-32 M5 | #10-32 M5 | #10-32 M5 | #10-32 M5 | -- | -- | -- | -- | 0.138 [3.5] |
| S72 | X | 0.843 [21.4] | 1.311 [33.3] | 0.843 [21.4] | 0.374 [9.5] | -- | -- | 0 [0] | 1.685 [42.8] | 1.685 [42.8] | 0 [0] | -- | -- | -- | -- | 1.232 [31.3] |
| | Y | 1.142 [29.0] | 0.673 [17.1] | 0.205 [5.2] | 0.673 [17.1] | -- | -- | 0 [0] | 0 [0] | 1.347 [34.2] | 1.347 [34.2] | -- | -- | -- | -- | 1.173 [29.8] |
| | φ (max) | 0.315 [8.0] | 0.315 [8.0] | 0.315 [8.0] | 0.315 [8.0] | -- | -- | .25-20 M6 | .25-20 M6 | .25-20 M6 | .25-20 M6 | -- | -- | -- | -- | 0.138 [3.5] |
| S73 | X | 1.750 [44.5] | 2.438 [61.9] | 1.750 [44.5] | 1.062 [27.0] | 0.970 [24.6] | -- | 0 [0] | 3.500 [88.9] | 3.500 [88.9] | 0 [0] | -- | -- | -- | -- | -- |
| | Y | 1.563 [39.7] | 0.875 [22.3] | 0.188 [4.8] | 0.875 [22.3] | 1.750 [44.5] | -- | 0 [0] | 0 [0] | 1.750 [44.5] | 1.750 [44.5] | -- | -- | -- | -- | -- |
| | φ (max) | 0.500 [12.7] | 0.500 [12.7] | 0.500 [12.7] | 0.500 [12.7] | 0.094 [2.4] | -- | .31-18 M8 | .31-18 M8 | .31-18 M8 | .31-18 M8 | -- | -- | -- | -- | -- |
| S74 | X | 1.813 [46.1] | 2.688 [68.3] | 1.813 [46.1] | 0.938 [23.8] | -- | -- | 0 [0] | 3.625 [92.1] | 3.625 [92.1] | 0 [0] | 0.938 [23.8] | 2.688 [68.3] | 2.688 [68.3] | 0.938 [23.8] | 1.000 [25.4] |
| | Y | 2.531 [64.3] | 1.656 [42.1] | 0.781 [19.8] | 1.656 [42.1] | -- | -- | 0 [0] | 0 [0] | 3.313 [84.2] | 3.313 [84.2] | 0 [0] | 0 [0] | 3.313 [84.2] | 3.313 [84.2] | 2.469 [62.7] |
| | φ (max) | 0.750 [19.1] | 0.750 [19.1] | 0.750 [19.1] | 0.750 [19.1] | -- | -- | .31-24 M8 | .31-24 M8 | .31-24 M8 | .31-24 M8 | .31-24 M8 | .31-24 M8 | .31-24 M8 | .31-24 M8 | 0.138 [3.5] |

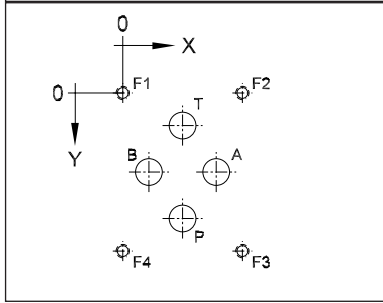
Servo Valve Patterns

These drawings are for reference only. Please consult the appropriate standard when dimensions are critical. Dimensions may vary on our products. It should not be assumed that each hole shown is found on a given product.

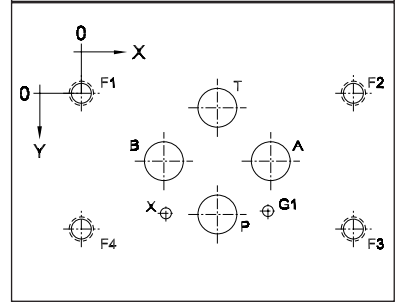
S75 2.750 port circle



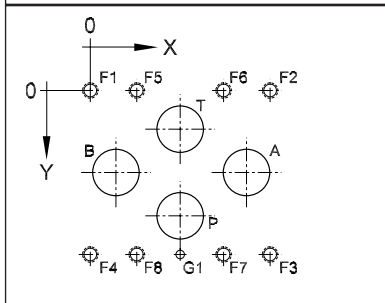
S76



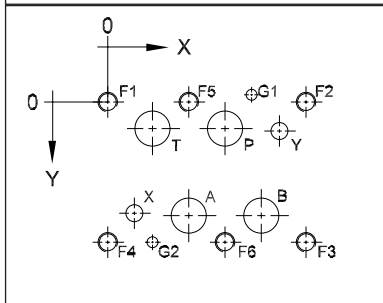
S77 1.750 port circle



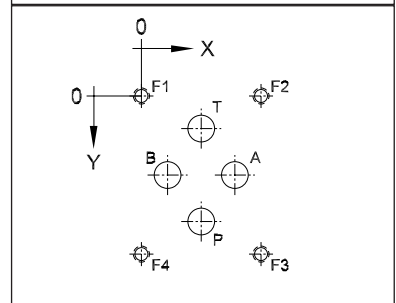
S78



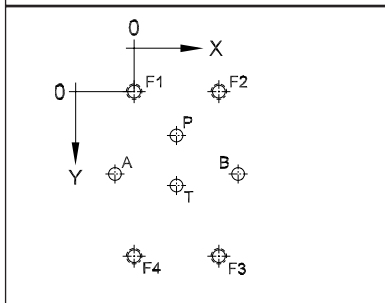
S79



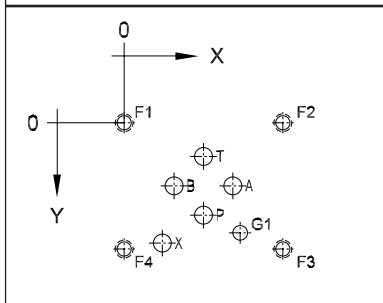
S81



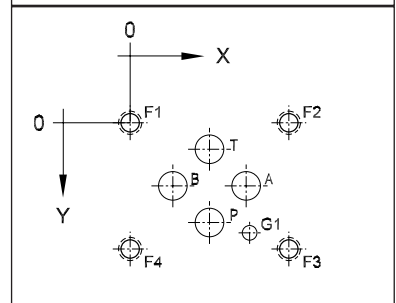
S82



S83 0.625 port circle



S84 0.740 port circle



Servo patterns continued pages 202-205

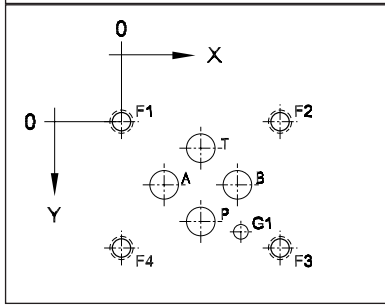
| Pattern | Axis | P | A | T | B | X | Y | F1 | F2 | F3 | F4 | F5 | F6 | F7 | F8 | G1 | G2 |
|---------|------------|-----------------|------------------|-----------------|------------------|-----------------|------------------|---------------|------------------|------------------|------------------|-----------------|-----------------|------------------|------------------|------------------|-----------------|
| S75 | X | 2.000 [50.8] | 3.375 [85.7] | 2.000 [50.8] | 0.625 [15.9] | -- | -- | 0 [0] | 4.000 [101.6] | 4.000 [101.6] | 0 [0] | 1.000 [25.4] | 3.000 [76.2] | 3.000 [76.2] | 1.000 [25.4] | -- | -- |
| | Y | 3.625 [92.1] | 2.250 [57.2] | 0.875 [22.2] | 2.250 [57.2] | -- | -- | 0 [0] | 0 [0] | 4.500 [114.3] | 4.500 [114.3] | 0 [0] | 0 [0] | 4.500 [114.3] | 4.500 [114.3] | -- | -- |
| | φ (max) | 1.000 [25.4] | 1.000 [25.4] | 1.000 [25.4] | 1.000 [25.4] | -- | -- | .50-13 M12 | .50-13 M12 | .50-13 M12 | .50-13 M12 | .50-13 M12 | .50-13 M12 | .50-13 M12 | .50-13 M12 | -- | -- |
| S76 | X | 1.120 [28.5] | 1.750 [44.5] | 1.120 [28.5] | 0.490 [12.5] | -- | -- | 0 [0] | 2.240 [56.9] | 2.240 [56.9] | 0 [0] | -- | -- | -- | -- | -- | -- |
| | Y | 2.357 [59.9] | 1.483 [37.6] | 0.610 [15.5] | 1.483 [37.6] | -- | -- | 0 [0] | 0 [0] | 2.967 [75.4] | 2.967 [75.4] | -- | -- | -- | -- | -- | -- |
| | φ (max) | 0.500 [12.7] | 0.500 [12.7] | 0.500 [12.7] | 0.500 [12.7] | -- | -- | .25-20 M6 | .25-20 M6 | .25-20 M6 | .25-20 M6 | -- | -- | -- | -- | -- | -- |
| S77 | X | 1.813 [46.0] | 2.688 [68.3] | 1.813 [46.0] | 0.937 [23.8] | 1.025 [26.0] | -- | 0 [0] | 3.625 [92.1] | 3.625 [92.1] | 0 [0] | -- | -- | -- | -- | 2.625 [66.7] | -- |
| | Y | 2.063 [52.4] | 1.187 [30.2] | 0.312 [7.9] | 1.187 [30.2] | 2.054 [52.2] | -- | 0 [0] | 0 [0] | 2.375 [60.3] | 2.375 [60.3] | -- | -- | -- | -- | 2.000 [50.8] | -- |
| | φ (max) | 0.625 [15.9] | 0.625 [15.9] | 0.625 [15.9] | 0.625 [15.9] | 0.125 [3.2] | -- | .31-18 M8 | .31-18 M8 | .31-18 M8 | .31-18 M8 | -- | -- | -- | -- | 0.157 [4.0] | -- |
| S78 | X | 2.181 [55.4] | 3.741 [95.0] | 2.181 [55.4] | 0.621 [15.8] | -- | -- | 0 [0] | 4.362 [110.8] | 4.362 [110.8] | 0 [0] | 1.241 [31.5] | 3.121 [79.3] | 3.121 [79.3] | 1.241 [31.5] | 2.181 [55.4] | -- |
| | Y | 3.435 [87.2] | 2.310 [58.7] | 1.185 [30.1] | 2.310 [58.7] | -- | -- | 0 [0] | 0 [0] | 4.620 [117.3] | 4.620 [117.3] | 0 [0] | 0 [0] | 4.620 [117.3] | 4.620 [117.3] | 4.620 [117.3] | -- |
| | φ (max) | 1.125 [28.6] | 1.125 [28.6] | 1.125 [28.6] | 1.125 [28.6] | -- | -- | .62-11 M16 | .62-11 M16 | .62-11 M16 | .62-11 M16 | .62-11 M16 | .62-11 M16 | .62-11 M16 | .62-11 M16 | .62-11 M16 | 0.313 [7.9] |
| S79 | X | 3.031 [77.0] | 2.094 [53.2] | 1.157 [29.4] | 3.969 [100.8] | 0.689 [17.5] | 4.437 [112.7] | 0 [0] | 5.126 [130.2] | 5.126 [130.2] | 0 [0] | 2.094 [53.2] | 3.031 [77.0] | -- | -- | 3.720 [94.5] | 1.157 [29.4] |
| | Y | 0.689 [17.5] | 2.937 [74.6] | 0.689 [17.5] | 2.937 [74.6] | 2.874 [73.0] | 0.748 [19.0] | 0 [0] | 0 [0] | 3.626 [92.1] | 3.626 [92.1] | 0 [0] | 3.626 [92.1] | -- | -- | -0.189 [-4.8] | 3.626 [92.1] |
| | φ (max) | 0.984 [25.0] | 0.984 [25.0] | 0.984 [25.0] | 0.984 [25.0] | 0.441 [11.2] | 0.441 [11.2] | .44-14 M12 | .44-14 M12 | .44-14 M12 | .44-14 M12 | .44-14 M12 | .44-14 M12 | -- | -- | 0.295 [7.5] | 0.295 [7.5] |
| S81 | X | 1.120 [28.4] | 1.750 [44.5] | 1.120 [28.4] | 0.490 [12.4] | -- | -- | 0 [0] | 2.240 [56.9] | 2.240 [56.9] | 0 [0] | -- | -- | -- | -- | -- | -- |
| | Y | 2.375 [60.3] | 1.500 [38.1] | 0.625 [15.9] | 1.500 [38.1] | -- | -- | 0 [0] | 0 [0] | 3.000 [76.2] | 3.000 [76.2] | -- | -- | -- | -- | -- | -- |
| | φ (max) | 0.500 [12.7] | 0.500 [12.7] | 0.500 [12.7] | 0.500 [12.7] | -- | -- | .31-18 M8 | .31-18 M8 | .31-18 M8 | .31-18 M8 | -- | -- | -- | -- | -- | -- |
| S82 | X | 0.433 [11.0] | -0.197 [-5.0] | 0.433 [11.0] | 1.063 [27.0] | -- | -- | 0 [0] | 0.866 [22.0] | 0.866 [22.0] | 0 [0] | -- | -- | -- | -- | -- | -- |
| | Y | 0.449 [11.4] | 0.843 [21.4] | 0.961 [24.4] | 0.843 [21.4] | -- | -- | 0 [0] | 0 [0] | 1.677 [42.6] | 1.677 [42.6] | -- | -- | -- | -- | -- | -- |
| | φ (max) | 0.130 [3.3] | 0.130 [3.3] | 0.130 [3.3] | 0.130 [3.3] | -- | -- | M4 M4 | M4 M4 | M4 M4 | M4 M4 | -- | -- | -- | -- | -- | -- |
| S83 | X | 0.843 [21.4] | 1.154 [29.3] | 0.843 [21.4] | 0.531 [13.5] | -- | -- | 0 [0] | 1.685 [42.8] | 1.685 [42.8] | 0 [0] | -- | -- | -- | -- | 1.232 [31.3] | -- |
| | Y | 0.984 [25.0] | 0.673 [17.1] | 0.358 [9.1] | 0.673 [17.1] | -- | -- | 0 [0] | 0 [0] | 1.347 [34.2] | 1.347 [34.2] | -- | -- | -- | -- | 1.173 [29.8] | -- |
| | φ (max) | 0.191 [4.85] | 0.191 [4.85] | 0.191 [4.85] | 0.191 [4.85] | -- | -- | .25-20 M6 | .25-20 M6 | .25-20 M6 | .25-20 M6 | -- | -- | -- | -- | 0.138 [3.5] | -- |
| S84 | X | 0.844 [21.4] | 1.214 [30.8] | 0.844 [21.4] | 0.474 [12.0] | -- | -- | 0 [0] | 1.685 [42.8] | 1.685 [42.8] | 0 [0] | -- | -- | -- | -- | -- | -- |
| | Y | 1.042 [26.5] | 0.672 [17.1] | 0.302 [7.67] | 0.672 [17.1] | -- | -- | 0 [0] | 0 [0] | 1.347 [34.2] | 1.347 [34.2] | -- | -- | -- | -- | -- | -- |
| | φ (max) | 0.260 [6.6] | 0.260 [6.6] | 0.260 [6.6] | 0.260 [6.6] | -- | -- | #10-32 M5 | #10-32 M5 | #10-32 M5 | #10-32 M5 | -- | -- | -- | -- | -- | -- |

Custom Products
 Standard Manifolds
 Cover Plates
 Valve Adaptors
 Subplates
 Servo Valve Subplates
 Tapping Plates
 DIN Cartridge Valve Bodies
 Header and Junction Blocks
 Technical Information

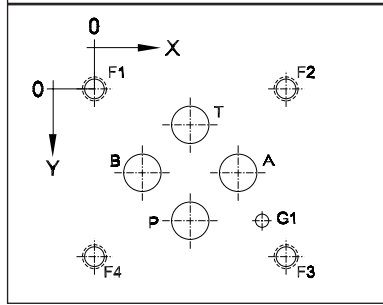
Servo Valve Patterns

These drawings are for reference only. Please consult the appropriate standard when dimensions are critical. Dimensions may vary on our products. It should not be assumed that each hole shown is found on a given product.

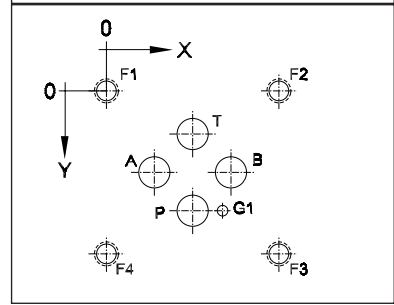
S85 0.850 port circle



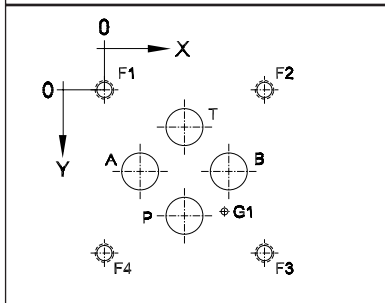
S86 1.000 port circle



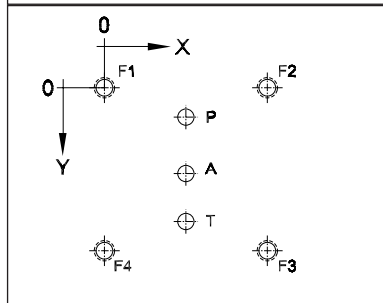
S87 1.000 port circle



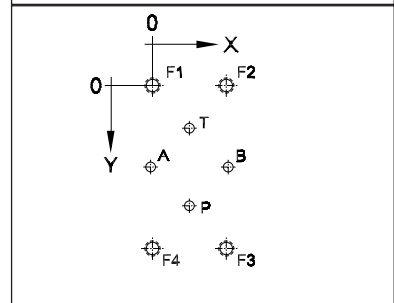
S88 1.800 port circle



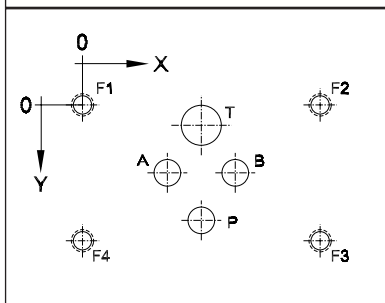
S89



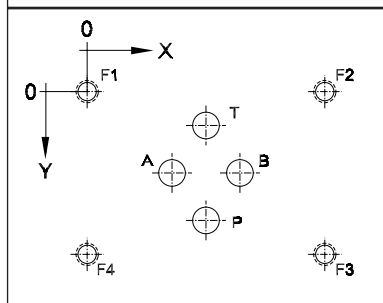
S90 1.000 port circle



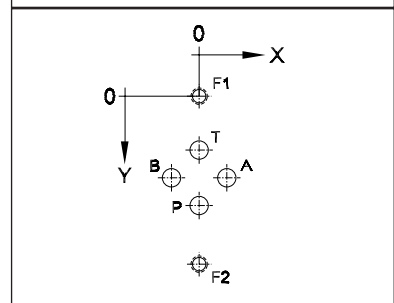
S91



S92



S93 0.850 port circle



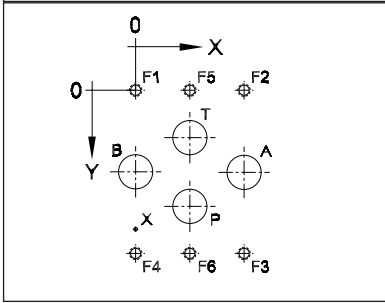
Servo patterns continued pages 204-205

| Pattern | Axis | P | A | T | B | X | Y | F1 | F2 | F3 | F4 | F5 | F6 | F7 | F8 | G1 | G2 |
|---------|------------|-----------------|-------------------|-----------------|-----------------|----|----|---------------|-----------------|-----------------|-----------------|----|----|----|----|-----------------|----|
| S85 | X | 0.843 [21.4] | 0.418 [10.6] | 0.843 [21.4] | 1.268 [32.2] | -- | -- | 0 [0] | 1.685 [42.8] | 1.685 [42.8] | 0 [0] | -- | -- | -- | -- | 1.232 [31.3] | -- |
| | Y | 1.098 [27.9] | 0.673 [17.1] | 0.248 [6.3] | 0.673 [17.1] | -- | -- | 0 [0] | 0 [0] | 1.347 [34.2] | 1.347 [34.2] | -- | -- | -- | -- | 1.173 [29.8] | -- |
| | φ (max) | 0.327 [8.3] | 0.327 [8.3] | 0.327 [8.3] | 0.327 [8.3] | -- | -- | .25-20 M6 | .25-20 M6 | .25-20 M6 | .25-20 M6 | -- | -- | -- | -- | 0.138 [3.5] | -- |
| S86 | X | 1.000 [25.4] | 1.500 [38.1] | 1.000 [25.4] | 0.500 [12.7] | -- | -- | 0 [0] | 2.000 [50.8] | 2.000 [50.8] | 0 [0] | -- | -- | -- | -- | 1.750 [44.5] | -- |
| | Y | 1.375 [34.9] | 0.875 [22.2] | 0.375 [9.5] | 0.875 [22.2] | -- | -- | 0 [0] | 0 [0] | 1.750 [44.5] | 1.750 [44.5] | -- | -- | -- | -- | 1.375 [34.9] | -- |
| | φ (max) | 0.390 [9.9] | 0.390 [9.9] | 0.390 [9.9] | 0.390 [9.9] | -- | -- | .25-20 M6 | .25-20 M6 | .25-20 M6 | .25-20 M6 | -- | -- | -- | -- | 0.138 [3.5] | -- |
| S87 | X | 1.125 [28.6] | 0.625 [15.9] | 1.125 [28.6] | 1.625 [41.3] | -- | -- | 0 [0] | 2.250 [57.2] | 2.250 [57.2] | 0 [0] | -- | -- | -- | -- | 1.515 [38.5] | -- |
| | Y | 1.563 [39.7] | 1.063 [27.0] | 0.563 [14.3] | 1.063 [27.0] | -- | -- | 0 [0] | 0 [0] | 2.125 [54.0] | 2.125 [54.0] | -- | -- | -- | -- | 1.563 [39.7] | -- |
| | φ (max) | 0.410 [10.4] | 0.410 [10.4] | 0.410 [10.4] | 0.410 [10.4] | -- | -- | .31-18 M8 | .31-18 M8 | .31-18 M8 | .31-18 M8 | -- | -- | -- | -- | 0.138 [3.5] | -- |
| S88 | X | 1.625 [41.3] | 0.725 [18.4] | 2.18 [55.4] | 2.525 [64.1] | -- | -- | 0 [0] | 3.250 [82.6] | 3.250 [82.6] | 0 [0] | -- | -- | -- | -- | 2.438 [61.9] | -- |
| | Y | 2.556 [64.9] | 1.656 [42.1] | 0.756 [19.2] | 1.656 [42.1] | -- | -- | 0 [0] | 0 [0] | 3.313 [84.1] | 3.313 [84.1] | -- | -- | -- | -- | 2.469 [62.7] | -- |
| | φ (max) | 0.750 [19.1] | 0.750 [19.1] | 0.750 [19.1] | 0.750 [19.1] | -- | -- | .38-16 M10 | .38-16 M10 | .38-16 M10 | .38-16 M10 | -- | -- | -- | -- | 0.138 [3.5] | -- |
| S89 | X | 0.781 [19.8] | 0.781 [19.8] | 0.781 [19.8] | -- | -- | -- | 0 [0] | 1.563 [39.7] | 1.563 [39.7] | 0 [0] | -- | -- | -- | -- | -- | -- |
| | Y | 0.281 [7.1] | 0.821 [20.9] | 1.281 [32.5] | -- | -- | -- | 0 [0] | 0 [0] | 1.563 [39.7] | 1.563 [39.7] | -- | -- | -- | -- | -- | -- |
| | φ (max) | 0.156 [4.0] | 0.156 [4.0] | 0.156 [4.0] | -- | -- | -- | #10-24 M5 | #10-24 M5 | #10-24 M5 | #10-24 M5 | -- | -- | -- | -- | -- | -- |
| S90 | X | 0.474 [12.1] | -0.026 [-0.65] | 0.474 [12.1] | 0.974 [24.8] | -- | -- | 0 [0] | 0.949 [24.1] | 0.949 [24.1] | 0 [0] | -- | -- | -- | -- | -- | -- |
| | Y | 1.549 [39.4] | 1.049 [26.7] | 0.549 [14.0] | 1.049 [26.7] | -- | -- | 0 [0] | 0 [0] | 2.098 [53.3] | 2.098 [53.3] | -- | -- | -- | -- | -- | -- |
| | φ (max) | 0.126 [3.2] | 0.126 [3.2] | 0.126 [3.2] | 0.126 [3.2] | -- | -- | #10-24 M5 | #10-24 M5 | #10-24 M5 | #10-24 M5 | -- | -- | -- | -- | -- | -- |
| S91 | X | 0.875 [22.2] | 0.625 [15.9] | 0.875 [22.2] | 1.125 [28.6] | -- | -- | 0 [0] | 1.750 [44.5] | 1.750 [44.5] | 0 [0] | -- | -- | -- | -- | -- | -- |
| | Y | 0.850 [21.6] | 0.500 [12.7] | 0.150 [3.8] | 0.500 [12.7] | -- | -- | 0 [0] | 0 [0] | 1.000 [25.4] | 1.000 [25.4] | -- | -- | -- | -- | -- | -- |
| | φ (max) | 0.188 [4.8] | 0.188 [4.8] | 0.188 [4.8] | 0.188 [4.8] | -- | -- | #4-40 | #4-40 | #4-40 | #4-40 | -- | -- | -- | -- | -- | -- |
| S92 | X | 0.875 [22.2] | 0.625 [12.7] | 0.875 [22.2] | 1.125 [28.6] | -- | -- | 0 [0] | 1.750 [44.5] | 1.750 [44.5] | 0 [0] | -- | -- | -- | -- | -- | -- |
| | Y | 0.950 [24.1] | 0.600 [15.2] | 0.250 [6.4] | 0.600 [15.2] | -- | -- | 0 [0] | 0 [0] | 1.200 [30.5] | 1.200 [30.5] | -- | -- | -- | -- | -- | -- |
| | φ (max) | 0.188 [4.8] | 0.188 [4.8] | 0.188 [4.8] | 0.188 [4.8] | -- | -- | #8-32 M4 | #8-32 M4 | #8-32 M4 | #8-32 M4 | -- | -- | -- | -- | -- | -- |
| S93 | X | 0 [0] | -0.425 [-10.8] | 0 [0] | 0.425 [10.8] | -- | -- | 0 [0] | 0 [0] | -- | -- | -- | -- | -- | -- | -- | -- |
| | Y | 1.675 [42.5] | 1.250 [31.8] | 0.825 [21.0] | 1.250 [31.8] | -- | -- | 0 [0] | 2.500 [63.5] | -- | -- | -- | -- | -- | -- | -- | -- |
| | φ (max) | 0.281 [7.1] | 0.281 [7.1] | 0.281 [7.1] | 0.281 [7.1] | -- | -- | .25-20 M6 | .25-20 M6 | -- | -- | -- | -- | -- | -- | -- | -- |

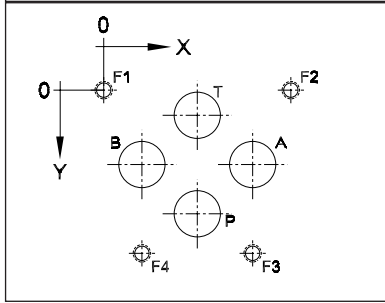
Servo Valve Patterns

These drawings are for reference only. Please consult the appropriate standard when dimensions are critical. Dimensions may vary on our products. It should not be assumed that each hole shown is found on a given product.

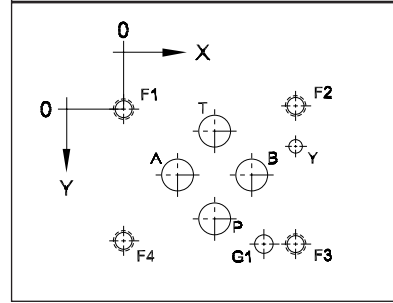
S94



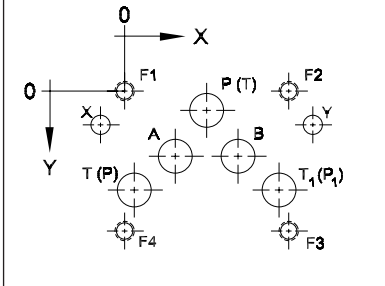
S95 2.000 port circle



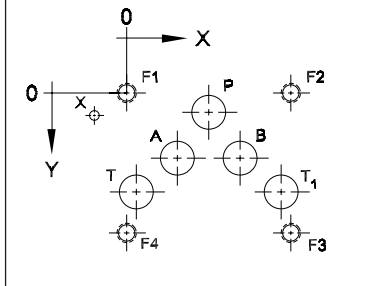
D03 ISO 4401-03-03-0-94



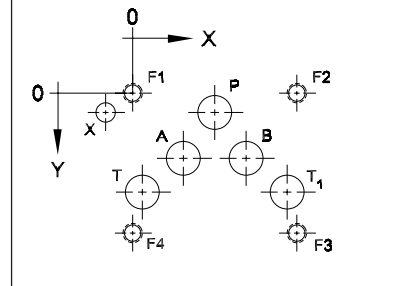
D05HE ISO 4401-05-05-0-94
Moog D634, D661, D681, D691



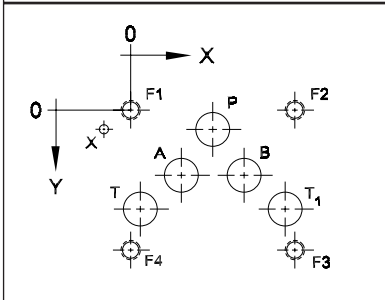
D05-S1 Moog 631, 641, 651



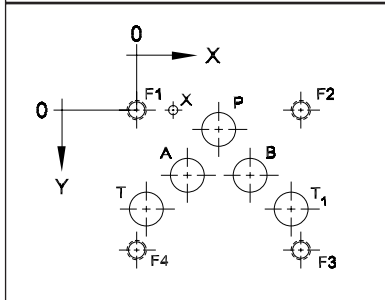
D05-S2 Moog G631



D05-S3 Parker SE31



D05-S4 Rexroth **S*2E*10*X



D07, D08, D10

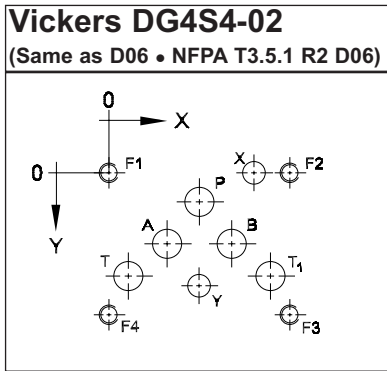
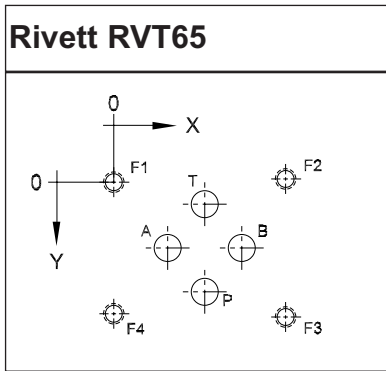
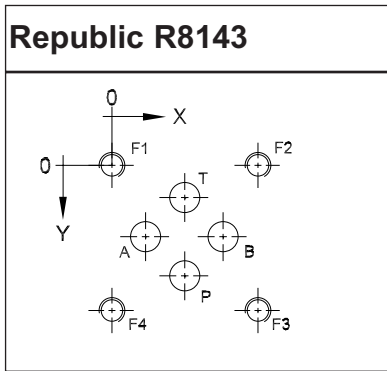
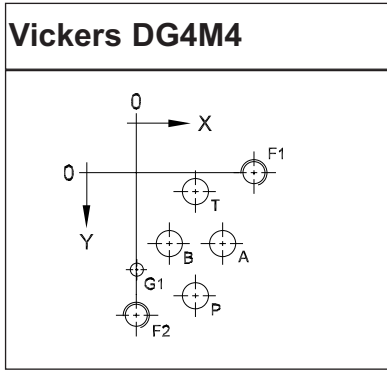
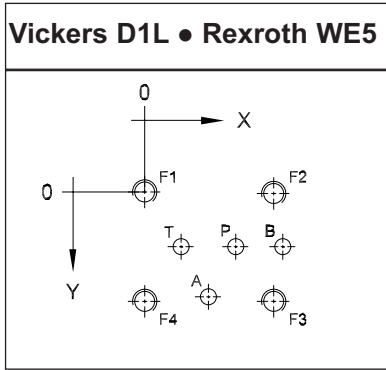
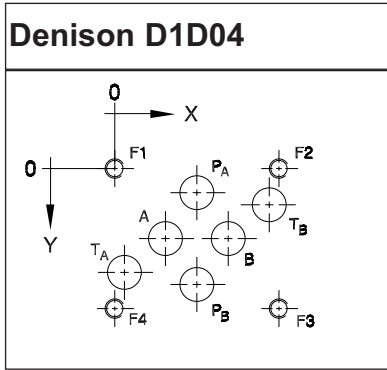
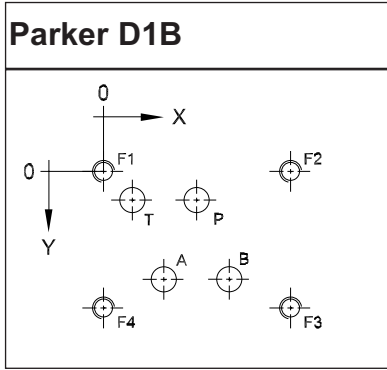
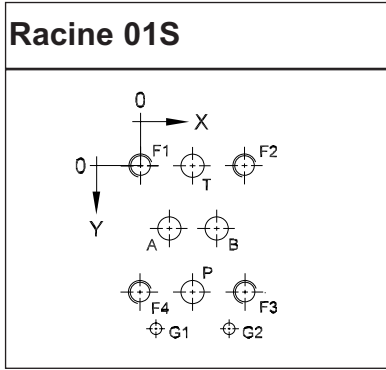
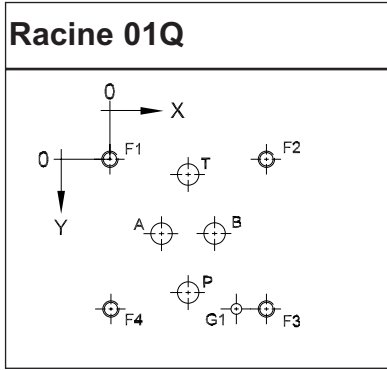
Same as ISO / NFPA directional valve patterns. See page 194-195 for dimensions.

| Pattern | Axis | P | A | T | T ₁ | B | X | Y | F1 | F2 | F3 | F4 | F5 | F6 | F7 | G1 | G2 |
|---------|------------|-----------------|-----------------|-----------------|-----------------|-----------------|-------------------|-----------------|---------------|-------------------|------------------|------------------|-----------------|------------------|----|------------------|----|
| S94 | X | 1.375 [34.9] | 2.750 [69.9] | 1.375 [34.9] | -- | 0 [0] | 0 [0] | -- | 0 [0] | 2.750 [69.9] | 2.750 [69.9] | 0 [0] | 1.375 [34.9] | 1.375 [34.9] | -- | -- | -- |
| | Y | 2.938 [74.6] | 2.063 [52.4] | 1.188 [30.2] | -- | 2.063 [52.4] | 3.513 [89.2] | -- | 0 [0] | 0 [0] | 4.125 [104.8] | 4.125 [104.8] | 0 [0] | 4.125 [104.8] | -- | -- | -- |
| | φ (max) | 0.865 [22.0] | 0.865 [22.0] | 0.865 [22.0] | -- | 0.865 [22.0] | 0.094 [2.4] | -- | .31-18 M8 | .31-18 M8 | .31-18 M8 | .31-18 M8 | .31-18 M8 | .31-18 M8 | -- | -- | -- |
| S95 | X | 1.900 [48.3] | 0.900 [22.9] | 1.900 [48.3] | -- | 2.900 [73.7] | -- | -- | 0 [0] | 3.800 [96.5] | 3.025 [76.8] | 0.775 [19.7] | -- | -- | -- | -- | -- |
| | Y | 2.510 [63.8] | 1.510 [38.4] | 0.510 [13.0] | -- | 1.510 [38.4] | -- | -- | 0 [0] | 0 [0] | 3.313 [84.1] | 3.313 [84.1] | -- | -- | -- | -- | -- |
| | φ (max) | 0.938 [23.8] | 0.938 [23.8] | 0.938 [23.8] | -- | 0.938 [23.8] | -- | -- | .38-16 M10 | .38-16 M10 | .38-16 M10 | .38-16 M10 | -- | -- | -- | -- | -- |
| D03 | X | 0.847 [21.5] | 0.500 [12.7] | 0.847 [21.5] | -- | 1.189 [30.2] | -- | 1.595 [40.5] | 0 [0] | 1.595 [40.5] | 1.595 [40.5] | 0 [0] | -- | -- | -- | 1.299 [33.0] | -- |
| | Y | 1.020 [25.9] | 0.610 [15.5] | 0.201 [5.1] | -- | 0.610 [15.5] | -- | 0.354 [9.0] | 0 [0] | -0.030 [-0.75] | 1.250 [31.75] | 1.221 [31.0] | -- | -- | -- | 1.250 [31.75] | -- |
| | φ (max) | 0.295 [7.5] | 0.295 [7.5] | 0.295 [7.5] | -- | 0.295 [7.5] | -- | 0.130 [3.3] | #10-24 M5 | #10-24 M5 | #10-24 M5 | #10-24 M5 | -- | -- | -- | 0.158 [4.0] | -- |
| D05HE | X | 1.063 [27.0] | 0.658 [16.7] | 0.126 [3.2] | 2.000 [50.8] | 1.469 [37.3] | -0.315 [-8.0] | 2.441 [62.0] | 0 [0] | 2.126 [54.0] | 2.126 [54.0] | 0 [0] | -- | -- | -- | -- | -- |
| | Y | 0.248 [6.3] | 0.843 [21.4] | 1.280 [32.5] | 1.280 [32.5] | 0.843 [21.4] | 0.433 [11.0] | 0.433 [11.0] | 0 [0] | 0 [0] | 1.811 [46.0] | 1.811 [46.0] | -- | -- | -- | -- | -- |
| | φ (max) | 0.441 [11.2] | 0.441 [11.2] | 0.441 [11.2] | 0.441 [11.2] | 0.441 [11.2] | 0.248 [6.3] | 0.248 [6.3] | .25-20 M6 | .25-20 M6 | .25-20 M6 | .25-20 M6 | -- | -- | -- | -- | -- |
| D05-S1 | X | 1.063 [27.0] | 0.658 [16.7] | 0.126 [3.2] | 2.000 [50.8] | 1.469 [37.3] | -0.417 [-10.6] | -- | 0 [0] | 2.126 [54.0] | 2.126 [54.0] | 0 [0] | -- | -- | -- | -- | -- |
| | Y | 0.248 [6.3] | 0.843 [21.4] | 1.280 [32.5] | 1.280 [32.5] | 0.843 [21.4] | 0.291 [7.4] | -- | 0 [0] | 0 [0] | 1.811 [46.0] | 1.811 [46.0] | -- | -- | -- | -- | -- |
| | φ (max) | 0.441 [11.2] | 0.441 [11.2] | 0.441 [11.2] | 0.441 [11.2] | 0.441 [11.2] | 0.125 [3.2] | -- | .25-20 M6 | .25-20 M6 | .25-20 M6 | .25-20 M6 | -- | -- | -- | -- | -- |
| D05-S2 | X | 1.063 [27.0] | 0.658 [16.7] | 0.126 [3.2] | 2.000 [50.8] | 1.469 [37.3] | -0.354 [-9.0] | -- | 0 [0] | 2.126 [54.0] | 2.126 [54.0] | 0 [0] | -- | -- | -- | -- | -- |
| | Y | 0.248 [6.3] | 0.843 [21.4] | 1.280 [32.5] | 1.280 [32.5] | 0.843 [21.4] | 0.252 [6.4] | -- | 0 [0] | 0 [0] | 1.811 [46.0] | 1.811 [46.0] | -- | -- | -- | -- | -- |
| | φ (max) | 0.441 [11.2] | 0.441 [11.2] | 0.441 [11.2] | 0.441 [11.2] | 0.441 [11.2] | 0.248 [6.3] | -- | .25-20 M6 | .25-20 M6 | .25-20 M6 | .25-20 M6 | -- | -- | -- | -- | -- |
| D05-S3 | X | 1.063 [27.0] | 0.658 [16.7] | 0.126 [3.2] | 2.000 [50.8] | 1.469 [37.3] | -0.346 [-8.8] | -- | 0 [0] | 2.126 [54.0] | 2.126 [54.0] | 0 [0] | -- | -- | -- | -- | -- |
| | Y | 0.248 [6.3] | 0.843 [21.4] | 1.280 [32.5] | 1.280 [32.5] | 0.843 [21.4] | 0.248 [6.3] | -- | 0 [0] | 0 [0] | 1.811 [46.0] | 1.811 [46.0] | -- | -- | -- | -- | -- |
| | φ (max) | 0.441 [11.2] | 0.441 [11.2] | 0.441 [11.2] | 0.441 [11.2] | 0.441 [11.2] | 0.118 [3.0] | -- | .25-20 M6 | .25-20 M6 | .25-20 M6 | .25-20 M6 | -- | -- | -- | -- | -- |
| D05-S4 | X | 1.063 [27.0] | 0.658 [16.7] | 0.126 [3.2] | 2.000 [50.8] | 1.469 [37.3] | 0.472 [12.0] | -- | 0 [0] | 2.126 [54.0] | 2.126 [54.0] | 0 [0] | -- | -- | -- | -- | -- |
| | Y | 0.248 [6.3] | 0.843 [21.4] | 1.280 [32.5] | 1.280 [32.5] | 0.843 [21.4] | 0 [0] | -- | 0 [0] | 0 [0] | 1.811 [46.0] | 1.811 [46.0] | -- | -- | -- | -- | -- |
| | φ (max) | 0.441 [11.2] | 0.441 [11.2] | 0.441 [11.2] | 0.441 [11.2] | 0.441 [11.2] | 0.118 [3.0] | -- | .25-20 M6 | .25-20 M6 | .25-20 M6 | .25-20 M6 | -- | -- | -- | -- | -- |

Custom Products
 Standard Manifolds
 Cover Plates
 Valve Adaptors
 Subplates
 Servo Valve Subplates
 Tapping Plates
 DIN Cartridge Valve Bodies
 Header and Junction Blocks
 Technical Information

“Obsolete Valve” Patterns

These drawings are for reference only. Please consult the appropriate standard when dimensions are critical. Dimensions may vary on our products. It should not be assumed that each hole shown is found on a given product.

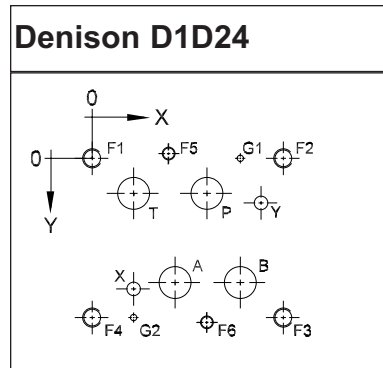
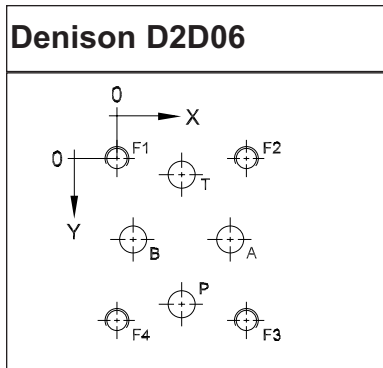
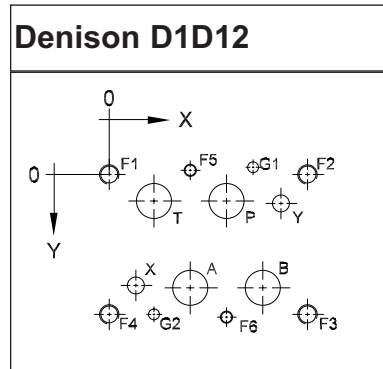
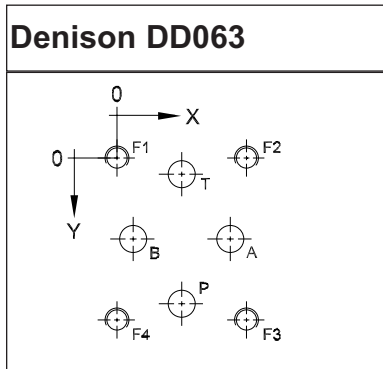


| Pattern | Axis | P | A | T | T ₁ | B | X (P _B) | Y | F1 | F2 | F3 | F4 | G1 | G2 |
|--------------------------------|------------|-----------------|-----------------|-----------------|-----------------|-----------------|---------------------|-----------------|------------------|------------------|------------------|------------------|----------------|----------------|
| 01Q | X | 0.91 [23.0] | 0.59 [15.1] | 0.91 [23.0] | -- | 1.22 [31.0] | -- | -- | 0 [0] | 1.81 [46.0] | 1.81 [46.0] | 0 [0] | 1.47 [37.3] | -- |
| | Y | 1.56 [39.7] | 0.88 [22.2] | 0.19 [4.9] | -- | 0.88 [22.3] | -- | -- | 0 [0] | 0 [0] | 1.75 [44.5] | 1.75 [44.5] | 1.75 [44.5] | -- |
| | φ (max) | 0.25 [6.3] | 0.19 [4.8] | 0.25 [6.3] | -- | 0.19 [4.8] | -- | -- | #10-24 #10-24 | #10-24 #10-24 | #10-24 #10-24 | #10-24 #10-24 | 0.16 [4.0] | -- |
| 01S | X | 0.61 [15.5] | 0.30 [7.6] | 0.61 [15.5] | -- | 0.92 [23.4] | -- | -- | 0 [0] | 1.22 [30.9] | 1.22 [30.9] | 0 [0] | 0.24 [6.1] | 0.98 [25.0] |
| | Y | 1.37 [35.0] | 0.69 [17.5] | 0 [0] | -- | 0.69 [17.5] | -- | -- | 0 [0] | 0 [0] | 1.37 [35.0] | 1.37 [35.0] | 1.75 [44.5] | 1.75 [44.5] |
| | φ (max) | 0.25 [6.3] | 0.19 [4.8] | 0.25 [6.3] | -- | 0.19 [4.8] | -- | -- | .25-20 .25-20 | .25-20 .25-20 | .25-20 .25-20 | .25-20 .25-20 | 0.16 [4.0] | 0.16 [4.0] |
| D1B | X | 0.81 [20.6] | 0.53 [13.5] | 0.25 [6.4] | -- | 1.09 [27.7] | -- | -- | 0 [0] | 1.63 [41.3] | 1.63 [41.3] | 0 [0] | -- | -- |
| | Y | 0.25 [6.4] | 0.94 [23.8] | 0.25 [6.4] | -- | 0.94 [23.8] | -- | -- | 0 [0] | 0 [0] | 1.19 [30.2] | 1.19 [30.2] | -- | -- |
| | φ (max) | 0.22 [5.6] | 0.22 [5.6] | 0.22 [5.6] | -- | 0.22 [5.6] | -- | -- | #10-32 #10-32 | #10-32 #10-32 | #10-32 #10-32 | #10-32 #10-32 | -- | -- |
| D1D04 | X | 1.06 [27.0] | 0.72 [16.3] | 0.16 [4.0] | 1.97 [50.0] | 1.44 [36.5] | 1.06 [27.0] | -- | 0 [0] | 2.125 [54.0] | 2.125 [54.0] | 0 [0] | -- | -- |
| | Y | 0.34 [8.7] | 0.91 [23.0] | 1.22 [31.0] | 0.59 [15.1] | 0.91 [23.0] | 1.47 [37.3] | -- | 0 [0] | 0 [0] | 1.812 [46.0] | 1.812 [46.0] | -- | -- |
| | φ (max) | 0.38 [9.6] | 0.38 [9.6] | 0.38 [9.6] | 0.38 [9.6] | 0.38 [9.6] | 0.38 [9.6] | -- | .25-20 .25-20 | .25-20 .25-20 | .25-20 .25-20 | .25-20 .25-20 | -- | -- |
| D1L, WE5 | X | 0.72 [18.1] | 0.51 [12.8] | 0.30 [7.4] | -- | 1.09 [27.6] | -- | -- | 0 [0] | 1.02 [25.6] | 1.02 [25.6] | 0 [0] | -- | -- |
| | Y | 0.42 [10.9] | 0.81 [20.7] | 0.42 [10.9] | -- | 0.42 [10.9] | -- | -- | 0 [0] | 0 [0] | 0.84 [21.4] | 0.84 [21.4] | -- | -- |
| | φ (max) | 0.13 [3.2] | 0.13 [3.2] | 0.13 [3.2] | -- | 0.13 [3.2] | -- | -- | #10-24 #10-24 | #10-24 #10-24 | #10-24 #10-24 | #10-24 #10-24 | -- | -- |
| DG4M4 | X | 0.57 [14.4] | 0.82 [20.6] | 0.57 [14.4] | -- | 0.32 [8.1] | -- | -- | 1.13 [28.7] | 0 [0] | -- | -- | 0 [0] | -- |
| | Y | 1.19 [30.1] | 0.69 [17.5] | 0.19 [4.8] | -- | 0.69 [17.5] | -- | -- | 0 [0] | 1.37 [34.7] | -- | -- | 0.94 [23.8] | -- |
| | φ (max) | 0.25 [6.3] | 0.25 [6.3] | 0.25 [6.3] | -- | 0.25 [6.3] | -- | -- | .25-20 .25-20 | .25-20 .25-20 | -- | -- | 0.16 [4.0] | -- |
| R8143 | X | 1.06 [27.0] | 0.50 [12.7] | 1.06 [27.0] | -- | 0.50 [12.7] | -- | -- | 0 [0] | 2.13 [54.0] | 2.13 [54.0] | 0 [0] | -- | -- |
| | Y | 1.60 [40.6] | 1.05 [26.7] | 0.48 [12.2] | -- | 1.05 [26.7] | -- | -- | 0 [0] | 0 [0] | 2.11 [53.7] | 2.11 [53.7] | -- | -- |
| | φ (max) | 0.44 [11.1] | 0.44 [11.1] | 0.44 [11.1] | -- | 0.44 [11.1] | -- | -- | .38-16 .38-16 | .38-16 .38-16 | .38-16 .38-16 | .38-16 .38-16 | -- | -- |
| RVT65 | X | 0.85 [21.5] | 0.50 [12.7] | 0.85 [21.5] | -- | 1.19 [30.2] | -- | -- | 0 [0] | 1.60 [40.6] | 1.60 [40.6] | 0 [0] | -- | -- |
| | Y | 1.09 [27.6] | 0.61 [15.7] | 0.15 [3.8] | -- | 0.61 [15.7] | -- | -- | 0 [0] | -0.03 [-0.8] | 1.26 [32.0] | 1.23 [31.3] | -- | -- |
| | φ (max) | 0.31 [7.9] | 0.31 [7.9] | 0.31 [7.9] | -- | 0.31 [7.9] | -- | -- | #10-24 #10-24 | #10-24 #10-24 | #10-24 #10-24 | #10-24 #10-24 | -- | -- |
| DG4S4 -02 (D06) | X | 1.750 [44.5] | 1.120 [28.5] | 0.380 [9.7] | 3.120 [79.3] | 2.380 [60.5] | 2.810 [71.4] | 1.75 [44.5] | 0 [0] | 3.500 [88.9] | 3.500 [88.9] | 0 [0] | -- | -- |
| | Y | 0.560 [14.3] | 1.380 [35.1] | 2.000 [50.8] | 2.000 [50.8] | 1.380 [35.1] | 0 [0] | 2.180 [55.4] | 0 [0] | 0 [0] | 2.75 [69.9] | 2.75 [69.9] | -- | -- |
| | φ (max) | 0.580 [14.7] | 0.580 [14.7] | 0.580 [14.7] | 0.580 [14.7] | 0.580 [14.7] | 0.440 [11.2] | 0.440 [11.2] | .38-16 .38-16 | .38-16 .38-16 | .38-16 .38-16 | .38-16 .38-16 | -- | -- |

Custom Products
 Standard Manifolds
 Cover Plates
 Valve Adaptors
 Subplates
 Servo Valve Subplates
 Tapping Plates
 DIN Cartridge Valve Bodies
 Header and Junction Blocks
 Technical Information

“Obsolete Valve” Patterns

These drawings are for reference only. Please consult the appropriate standard when dimensions are critical. Dimensions may vary on our products. It should not be assumed that each hole shown is found on a given product.



| Pattern | Axis | P | A | T | B | X | Y | F1 | F2 | F3 | F4 | F5 | F6 | G1 | G2 |
|---------|------------|-----------------|-----------------|----------------|-----------------|-----------------|-----------------|------------------|------------------|------------------|------------------|------------------|------------------|-----------------|-----------------|
| DD063 | X | 1.50 [38.1] | 2.63 [66.7] | 1.50 [38.1] | 0.38 [9.5] | -- | -- | 0 [0] | 3.00 [76.2] | 3.00 [76.2] | 0 [0] | -- | -- | -- | -- |
| | Y | 3.38 [85.7] | 1.88 [47.6] | 0.38 [9.5] | 1.88 [47.6] | -- | -- | 0 [0] | 0 [0] | 3.75 [95.3] | 3.75 [95.3] | -- | -- | -- | -- |
| | φ (max) | 0.63 [15.9] | 0.63 [15.9] | 0.63 [15.9] | 0.63 [15.9] | -- | -- | .50-13 .50-13 | .50-13 .50-13 | .50-13 .50-13 | .50-13 .50-13 | -- | -- | -- | -- |
| D1D12 | X | 3.03 [77.0] | 2.09 [53.2] | 1.16 [29.4] | 3.97 [100.8] | 0.69 [17.5] | 4.44 [112.7] | 0 [0] | 5.12 [130.2] | 5.12 [130.2] | 0 [0] | 2.31 [58.7] | 3.00 [76.2] | 3.72 [94.5] | 1.16 [29.4] |
| | Y | 0.69 [17.5] | 2.93 [74.6] | 0.69 [17.5] | 2.93 [74.6] | 2.88 [73.0] | 0.75 [19.0] | 0 [0] | 0 [0] | 3.62 [92.1] | 3.62 [92.1] | -0.09 [-2.4] | 3.72 [94.5] | -0.19 [-4.8] | 3.62 [92.1] |
| | φ (max) | 0.91 [23.0] | 0.91 [23.0] | 0.91 [23.0] | 0.91 [23.0] | 0.44 [11.2] | 0.44 [11.2] | .50-13 .50-13 | .50-13 .50-13 | .50-13 .50-13 | .50-13 .50-13 | .31-18 .31-18 | .31-18 .31-18 | 0.28 [7.5] | 0.28 [7.5] |
| D2D06 | X | 1.50 [38.1] | 2.63 [66.7] | 1.50 [38.1] | 0.38 [9.5] | -- | -- | 0 [0] | 3.00 [76.2] | 3.00 [76.2] | 0 [0] | -- | -- | -- | -- |
| | Y | 3.38 [85.7] | 1.88 [47.6] | 0.38 [9.5] | 1.88 [47.6] | -- | -- | 0 [0] | 0 [0] | 3.75 [95.3] | 3.75 [95.3] | -- | -- | -- | -- |
| | φ (max) | 0.63 [15.9] | 0.63 [15.9] | 0.63 [15.9] | 0.63 [15.9] | -- | -- | .50-13 .50-13 | .50-13 .50-13 | .50-13 .50-13 | .50-13 .50-13 | -- | -- | -- | -- |
| D1D24 | X | 4.50 [114.3] | 3.25 [82.5] | 1.63 [41.3] | 5.81 [147.6] | 1.63 [41.3] | 6.63 [168.3] | 0 [0] | 7.50 [190.5] | 7.50 [190.5] | 0 [0] | 3.00 [76.2] | 4.50 [114.3] | 5.46 [138.6] | 1.62 [41.3] |
| | Y | 1.38 [35.0] | 4.87 [123.8] | 1.38 [35] | 4.87 [123.8] | 5.13 [130.2] | 1.75 [44.5] | 0 [0] | 0 [0] | 6.25 [158.8] | 6.25 [158.8] | 0 [0] | 6.25 [158.8] | 0 [0] | 6.25 [158.8] |
| | φ (max) | 1.25 [32.0] | 1.25 [32.0] | 1.25 [32.0] | 1.25 [32.0] | 0.44 [11.2] | 0.44 [11.2] | .75-10 .75-10 | .75-10 .75-10 | .75-10 .75-10 | .75-10 .75-10 | .50-13 .50-13 | .50-13 .50-13 | 0.28 [7.5] | 0.28 [7.5] |